

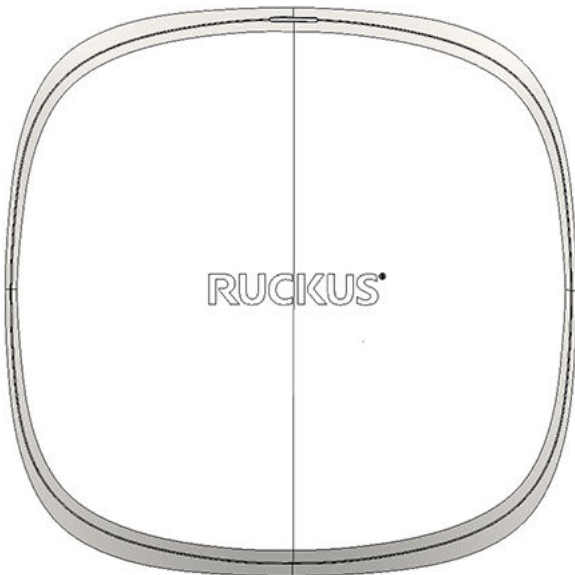


R670 Access Point Quick Setup Guide

This Quick Setup Guide provides step-by-step instructions on how to install and begin using your RUCKUS R670 tri-band 802.11be Wi-Fi 7 indoor Wi-Fi access point (AP).

NOTE: The minimum software version for the R670 AP is SmartZone (SZ) 7.0 or later.

FIGURE 1 R670 Access Point: Top View



This Guide in Other Languages

- 请从以下网站获得该指南的简体中文版 <http://docs.commscope.com/?docs-box>.
- Vous trouverez la version française de ce guide à l'adresse suivante <http://docs.commscope.com/?docs-box>.
- このガイドの日本語版は <http://docs.commscope.com/?docs-box> でご覧ください。
- 이 가이드의 한국어 버전은 웹 사이트 (<http://docs.commscope.com/?docs-box>) 에서 확인하시기 바랍니다.
- Veja a versão em português (Brasil) deste guia em <http://docs.commscope.com/?docs-box>

- Puede ver la versión en español (América Latina) de esta guía en <http://docs.commscope.com/?docs-box>

Before You Begin

Before deploying RUCKUS products, please check for the latest software and the release documentation.

- Release Notes and other user documentation are available at <http://support.ruckuswireless.com/documents>.
- Software upgrades are available at <http://support.ruckuswireless.com/software>.
- Software license and limited warranty information are available at <http://support.ruckuswireless.com/warranty>.

Before deploying your RUCKUS Access Point, verify that all items listed in **Package Contents** are included in the package. If any item is damaged or missing, notify your authorized RUCKUS sales representative. Also, make sure that you have the required hardware and tools.

RUCKUS WLAN Configuration for 6GHz APs

For configuring a 6GHz WLAN, download the *RUCKUS Solo APs Configuration Guide - 6 GHz Radio Configuration Using CLI* from <https://support.ruckuswireless.com/documents/4017> for reference.

Package Contents

A complete R670 installation package includes all of the following items:

- R670 Access Point
- One T-bar mounting bracket
- Four T-bar mounting clips
- Two #6 x 0.75-in. long plastic wall anchors
- Two #8 x 1.0-in. long metal screws
- One 66-mm long unit removal pin
- Declaration of Conformity/Regulatory flyer

Required Hardware and Tools

Required hardware:

- Admin PC (computer with an Ethernet port and Wi-Fi adapter)
- CAT 5e (or better) Ethernet cable
- RUCKUS 48 VDC power adapter (902-1170-XX00) (sold separately) or 802.3at/bt-compliant Power over Ethernet (PoE) switch or PoE injector (902-1180-XX00)

Required installation tools for mounting on a flat surface using the factory-supplied screws and anchors:

- An electric drill with a 4.75-mm (3/16-in.) drill bit
- Phillips-head screwdriver

Optional hardware and tools:

- Customer-ordered RUCKUS secure mounting bracket kit (902-0120-0000):
 - If you are mounting the AP on a flat surface using the secure mounting bracket kit, then you need an electric drill with a 4.75-mm (3/16-in.) drill bit.
 - If you are mounting the AP on a pipe or pole using the secure mounting bracket kit, then you will also need a 38.1-mm to 63.5-mm (1.5-in. to 2.5-in.) pipe or pole, two pole clamps, and hand tools to tighten the clamps.

Step 1: Connecting Your Computer to the AP

1. If DC powered, connect your computer network port to the PoE port on the AP using an Ethernet cable. Refer to [Figure 2](#).
2. Connect the AC cable of the DC power adapter to a convenient and protected power source. Connect the DC output cable of the DC power adapter to the 48 VDC port on the AP.

NOTE: Alternatively, connect the AP PoE port to a PoE injector or switch for both power and network connectivity. Connect your computer network port to the data port of the PoE Injector or to another port of the switch.

NOTE: In general, switches must have the Link Layer Discovery Protocol (LLDP) enabled. The PoE switch port must run the LLDP and Power over Ethernet/MDI (BT5) for the R670 AP to operate in full-power mode.

NOTE: To configure the AP, connect the computer to another switch port and manually assign an IP address in the same subnet as the default management IP address that is depicted on the AP's label.

NOTE: Alternatively, connect the computer and the AP with a basic PoE switch in the following ways:

- a. Connect the AP to a switch port.
- b. Connect the computer to another switch port and manually assign an IP address to configure the AP.

- Verify that the LED on the AP is blinking amber (may also be in a green state if a WLAN has been configured).

FIGURE 2 R670 AP Ports on the Bottom Panel

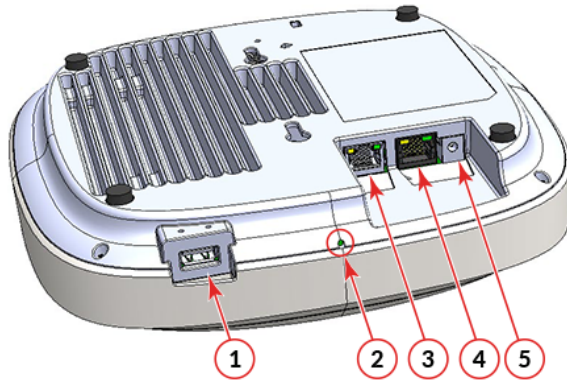


TABLE 1 R670 AP Ports

No.	Label	Description
1	USB	USB port <ul style="list-style-type: none"> Interface: USB 2.0 Connector: USB - Type-A plug
2	Reset	Reset button can be accessed using a rigid, thin wire (such as a straightened paperclip) or the factory-supplied 66-mm unit removal pin. <ul style="list-style-type: none"> Soft reset: Press and hold less than 4 seconds. Factory reset: Press and hold more than 5 seconds and less than 15 seconds. The LED will alternate red and green. Recovery mode with factory defaults: Press and hold more than 15 seconds. The LED will alternate between red and amber once before the AP reboots.
3	1G ETH	10/100/1000 Mbps port: RJ-45 Ethernet port (non-PoE)
4	5G ETH PoE	100/1000/2500/5000 Mbps PoE In port: RJ-45 Ethernet port (supports High Power 802.3bt PoE)
5	48 VDC	48 VDC input

NOTE: The AP enters af mode during transition while booting.

LED Signals

The LED on the AP has several color states that determine the various states of the AP. The following table provides a high-level description of each color that may appear on the AP.

TABLE 2 R670 LED Signals

Color	Description
Red	The AP is receiving power and is booting up its firmware. If the AP is cycling between Red and another color, the AP is proceeding with a factory reset process.
Amber	The AP is booting up software services. These software services include loading the controller and loading a new configuration or firmware update. This color also denotes if there are issues with either the network gateway or controller.
Green	The AP has finished booting up software services and there are no issues with connectivity or controller management.

Step 2: Preparing Your Computer for AP Setup

NOTE: The following procedures assume Windows 10 or Windows 11 as the operating system. Procedures for other operating systems are similar.

- On your Windows PC, navigate to **Start > Settings > Network and Internet > Ethernet**.

NOTE: Make a note of the currently active settings so you can restore your computer to its current configuration later when the setup process is complete.
- Click the **Edit** button next to the **IP assignment** section to set a static IP address.
- In the **Edit IP settings** dialog box, change the setting from **Automatic (DHCP)** to **Manual** using the drop-down menu.
- Toggle the **IPv4** switch to **On** and enter the following fields:
 - IP address:** 192.168.0.22 (or any available address in the 192.168.0.x network, except 192.168.0.1)
 - Subnet mask:** 255.255.255.0 (if prompted for **Subnet prefix length**, enter 24)
 - Default gateway:** 192.168.0.1
 Leave the DNS server fields empty.
- Click **Save** to save your changes. Your changes go into effect immediately.

Step 3: Logging In to the AP

NOTE: The admin PC must be directly connected to the AP through one of the Ethernet ports and powered on, ready for setup.

- On your admin PC, open a web browser window.
- Enter the following URL in the browser navigation bar:

<https://192.168.0.1>

- Press **Enter** to initiate the connection. When the security alert dialog box displays, click **OK/Yes** to proceed.
- When the **RUCKUS Admin** login page displays, enter the following information:
 - Username:** super
 - Password:** sp-admin
- Click **Login**. On your first login, you will be prompted to change the default password.
- When the **Change Password** dialog box displays, enter the following information:
 - New Password:** Enter a new password.
 - Confirm Password:** Re-enter the new password.
- Click **Submit**.
- Log in using the new password.

Step 4: Customizing the Wireless Settings

The AP has default wireless settings to facilitate plug-and-play operation. Customize the 6GHz configuration using the CLI (refer to [RUCKUS WLAN Configuration for 6GHz APs](#) on page 1). Customize the 2.4GHz and 5GHz configurations through the web browser UI as follows.

TABLE 3 Default AP Settings

Settings	Band	WLAN Names	Default SSID Names
Network Names (SSIDs)	2.4G	wlan0 - 7	Wireless1 - Wireless8
	5G	wlan8 - 15	Wireless9 - Wireless16
	6G	wlan16 - wlan23	Wireless17 - Wireless24
Security (Encryption method)	2.4G	WEP, WPA2, WPA+WPA2 *	
	5G	WEP, WPA2, WPA+WPA2 *	
	6G	WPA3 (OWE, SAE)	
Default Management IP Address	192.168.0.1		

* WPA3 and WPA2+WPA3 are additional options in the CLI

NOTE: By default, IoT radios on standalone APs are disabled. To enable them, you need to configure the AP in the RUCKUS IoT Controller, refer to [RUCKUS IoT Controller Configuration Guide](#).

- On the web interface menu, click **Configuration > Radio 2.4G** or **Configuration > Radio 5G**. The **Configure > Wireless > Common** page is displayed.

NOTE: The 6GHz option must be configured only using the CLI command. The GUI does not support this option. Refer to [RUCKUS WLAN Configuration for 6GHz APs](#) on page 1 for more information.

- Verify that the following options are active:

Channel: SmartSelect

Country Code: If you are not located in the United States of America, select your current country.

- Click **Update Settings** if you made any changes.
- Click any of the **Wireless #** (Wireless LAN Number) tabs at the top of the page.
- In **Wireless Availability**, click **Enabled**.
- Delete the text in the **SSID** field, and enter a name for your network that will help your users identify this AP in their wireless network application.
- Click **Update Settings** to save your changes.
- Repeat for each **Wireless #** (Wireless LAN Number) interface that you want to enable.
- Click **Logout** to exit the web interface.
- When the **Ruckus Admin** login page displays, exit your browser.
- Disconnect the AP from the computer and from the power source, and restore your computer to its original network connection configuration settings.

Step 5: Placing the AP in Your Site

- Move the AP to its permanent location (accessible to both power and network connections). For installation instructions, refer to [Mounting Instructions](#) on page 3.

A site survey must have been performed to assess optimum AP placement.

- Use an Ethernet cable to connect the PoE port to an appropriate device:

- The network device of the ISP or carrier
- An Ethernet switch that is connected to the network device of the ISP or carrier

Or

Connect the AP power adapter (or PoE power supply) to the AP, and connect to a convenient power source.

NOTE: If you will be using PoE, you must use a CAT 5e (or better) Ethernet cable to connect the AP to the PoE switch or PoE injector. PoE injector, model 740-64310-001, supports 1, 2.5, 5.0 and 10 Gbps.

- Verify that the PoE port LED is lit.

After a short pause to re-establish the Internet connection, you can test the AP.

Step 6: Verifying the Installation

- Using any wireless-enabled computer or mobile device, search for and select the wireless network you previously configured.
- When connected, open a browser and connect to any public website.

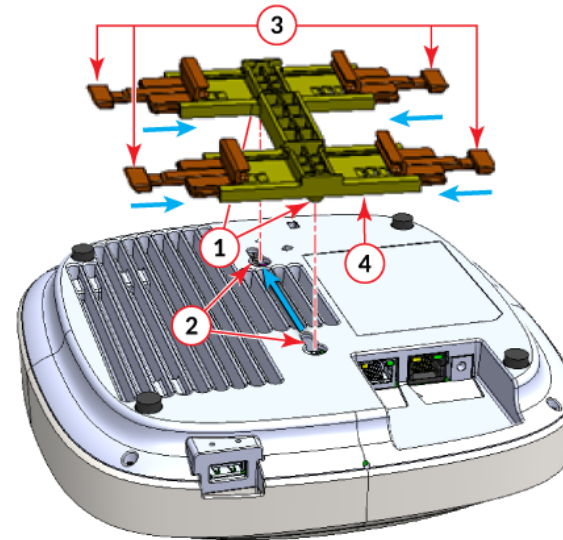
Mounting Instructions

Mounting on a Drop-Ceiling T-Bar

The factory-supplied T-bar mounting assembly kit allows you to attach the AP to recessed and flush drop-ceiling T-bars.

- Position the studs on the bottom of the T-bar bracket (1 in [Figure 3](#)) in the keyholes on the AP enclosure (2 in [Figure 3](#)).
- Slide the T-bar bracket away from the Ethernet ports on the bottom of the AP until the AP retainer tab snaps into place, trapping the T-bar bracket studs in the keyholes (2 in [Figure 3](#)).

FIGURE 3 Attaching the T-bar Bracket to the AP



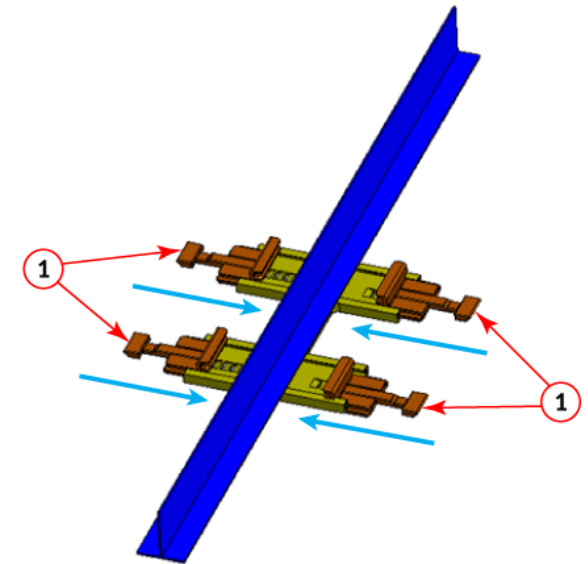
- | | |
|--------------|------------------|
| 1. Studs | 3. Locking tab |
| 2. Key holes | 4. T-bar bracket |

- Insert the locking tab (3 in [Figure 3](#)) so it is in the first position on the T-bar bracket.
- Gently push the ceiling tiles, if present, up and out of the way.
- Position the T-bar bracket so its two clasps grip one edge of the T-bar (1 in [Figure 4](#)). Make sure that both clasps are gripping the T-bar.

NOTE: Ensure that the center line of the bracket body is aligned with the center line of the T-bar.

- Hold the AP in place and gently push the opposing locking tab (1 in [Figure 4](#)) until its clasp grips the other edge of the T-bar. Make sure that all four clasps are gripping the T-bar.

FIGURE 4 Attaching the T-bar Bracket to the T-bar



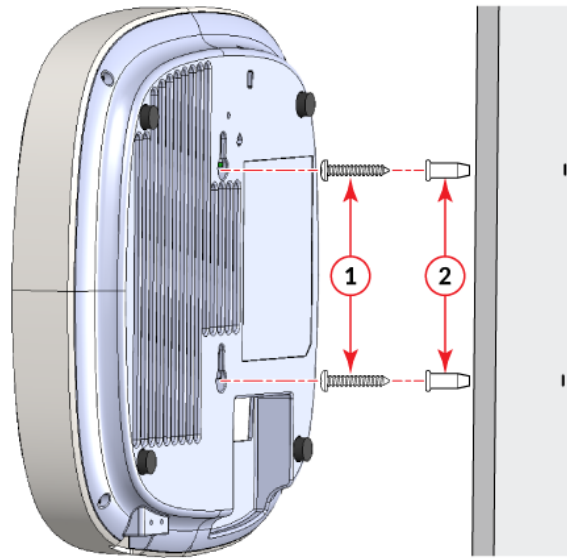
- Locking tabs

Mounting on a Flat Surface

The factory-supplied mounting screws and plastic wall anchors allow you to attach the AP to a wall or other flat surface.

- Use the Mounting Template on the last page of this *Quick Setup Guide* to mark the locations for two drill holes on the mounting surface.
- Use a 4.75-mm (3/16-in.) drill bit to drill holes approximately 25 mm (1 inch) deep into the mounting surface.
- Insert the factory-supplied anchors (2 in [Figure 5](#)) and mounting screws (1 in [Figure 5](#)) into the mounting surface, leaving approximately 6 mm (0.25 inch) of the screw heads protruding for the AP enclosure keyholes.

FIGURE 5 Flat Surface Mounting



1. Screws

2. Anchors

4. Place the AP onto the mounting screws so the screw heads enter the keyholes on the AP enclosure, and push the AP down until the AP retainer tab snaps into place.

Cautions and Notices

A caution calls your attention to a possible hazard that can damage equipment.

CAUTION! The equipment is intended for installation in a Restricted Access Location.

CAUTION! The equipment can be connected to PoE networks without routing to the outside plant.

NOTE: The 6GHz radio option is not allowed for use in China.

For More Information

For information on how to configure and manage the AP, refer to the *RUCKUS Indoor Access Point User Guide*, available from <http://docs.commscope.com/?docs-box>. For the product data sheet, refer to <https://www.ruckusnetworks.com/products/wireless-access-points/>. RUCKUS, Inc. is a wholly owned subsidiary of CommScope, Inc.

© 2024 CommScope, Inc. All rights reserved.

CommScope and the CommScope logo are registered trademarks of CommScope and/or its affiliates in the U.S. and other countries. For additional trademark information see <https://www.commscope.com/trademarks>. All product names, trademarks, and registered trademarks are the property of their respective owners.

