

SPECIFICATION FOR APPROVAL

CUSTOMER: 系統電子

CUSTOMER P/N : 354-000091

MODEL NAME: Birdwing NFC Ant

AWAN P/N: AFP00-000303

Date: 2024-09-04



Customer Approval

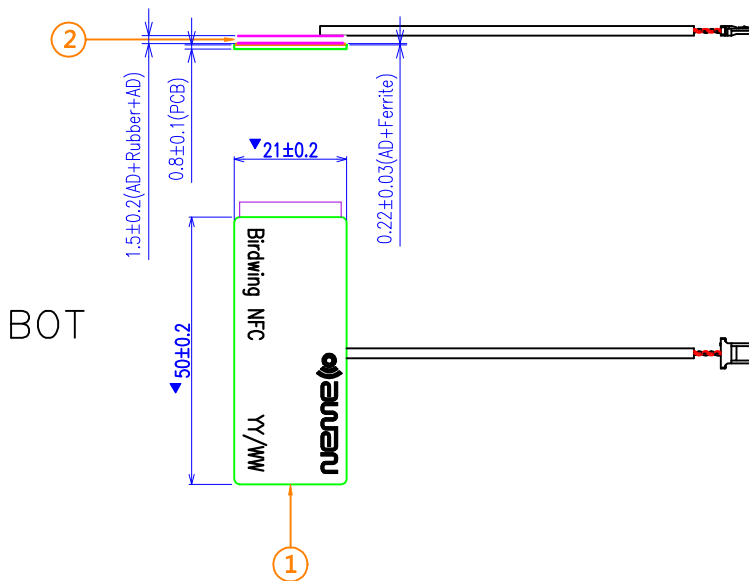
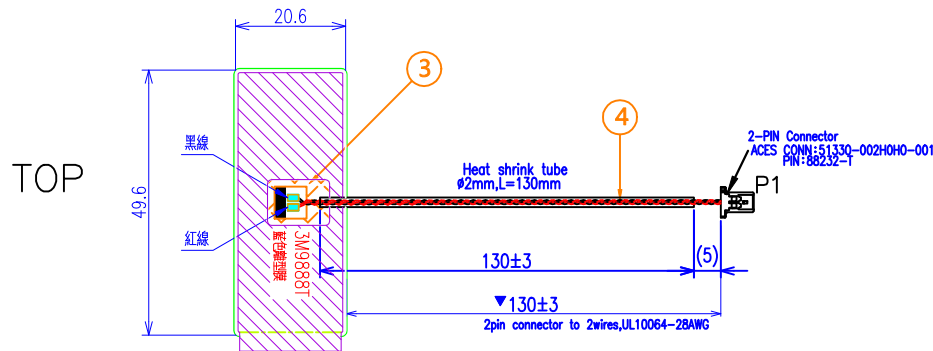
R&D Manager

AWAN Approved					
					王昕霞
&D Manager / Dongyan.Jin	Mechanical Manager / Dongyan.Jin	Q&R Manager / Fish Tong	Project Engineer / Jake.Zhu	Product Manager Qing.Tang	Authorized Strength/ Xinxia.Wang




No.925, Hua-Yuan Road,Zhang- Pu Town,
Kun -Shan City, Jiang -Su Prov.,P.R.C.
TEL : 86-512-5744-6168
FAX : 86-512-5744-9168
Http : //www.awan-ant.com

1	2	3	4	5	6	7	8
AWAN P/N	AFP00-000303				Rev.	EC#	Description
Customer P/N	354-000091				X1		NEW RELEASE
						Drawn/Date	Checked/Date
						Kin 05/31/24'	Jason 05/31/24'
						Approved/Date	Jerry 05/31/24'



- Note:
- 1.PCB : FR4 ,0.8T
非防焊區裸銅需作OSP處理。
 - 2.產品需符合 RoHS2.0 & Halogen Free 規範要求
 - 3.符合歐盟無鹵要求
 - 4."▼"為重點尺寸,其餘為全尺寸
 - 5.未標公差依照通用公差表
 - 6.①~④為料件,依BOM List編號。

4	2pin connector to 2wires	1		
3	Ferrite	1		
2	Rubber+銅AD(3M9888T)	1		
1	NFC PCB	1		
Item	Name	Q'ty	Part #	Material / Finish
Tolerances Unless Otherwise Specified		Drawn	Date	 AWAN ADVANCED WIRELESS & ANTENNA INC.
General	X ±1.00 XX ±0.50 XXX ±0.20 XXX ±0.05	Kin	05/31/24'	
Angles		Design	Date	
	X ±3.0° XX ±2.0° XXX ±1.0°	Kin	05/31/24'	
Scale		Checked	Date	Title
1	: 1	Jason	05/31/24'	
Sheet		Approved	Date	
1	of 1	Jerry	05/31/24'	
Unit		3D File		Series
mm		Customer Drawing		AFP00
		Dwg No.	C-AFP00-88-00	Series
		Rev.	X1	Size
				A3

HALOGEN FREE

This document and information contained herein are the property of AWAN, copies are issued in strict confidence and shall not be reproduced or copied, or used as the basic of manufacture or sale of apparatus without permission

HSF相關均質拆分及測試點選擇參照
<HSF均質物質拆分作業圖示表>

符合AWAN環境管理物質技術標準
All materials meet the AWAN's spec. Environment - related substances management technical standard.