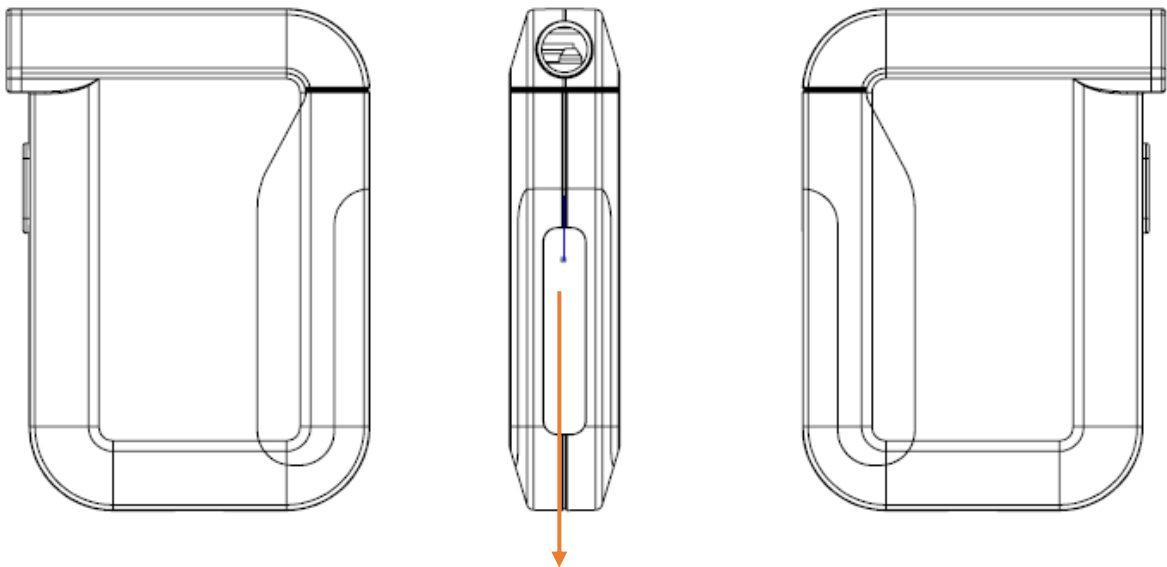


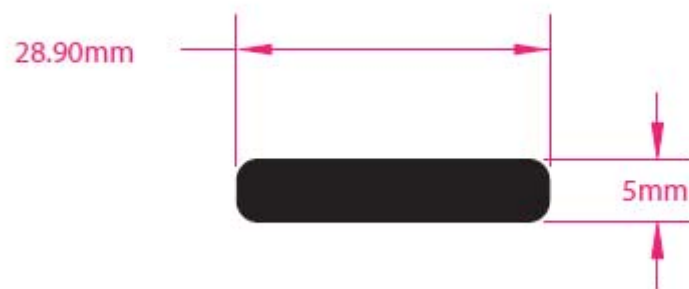
SAMPLE LABEL & LOCATION

LABELLING REQUIREMENTS

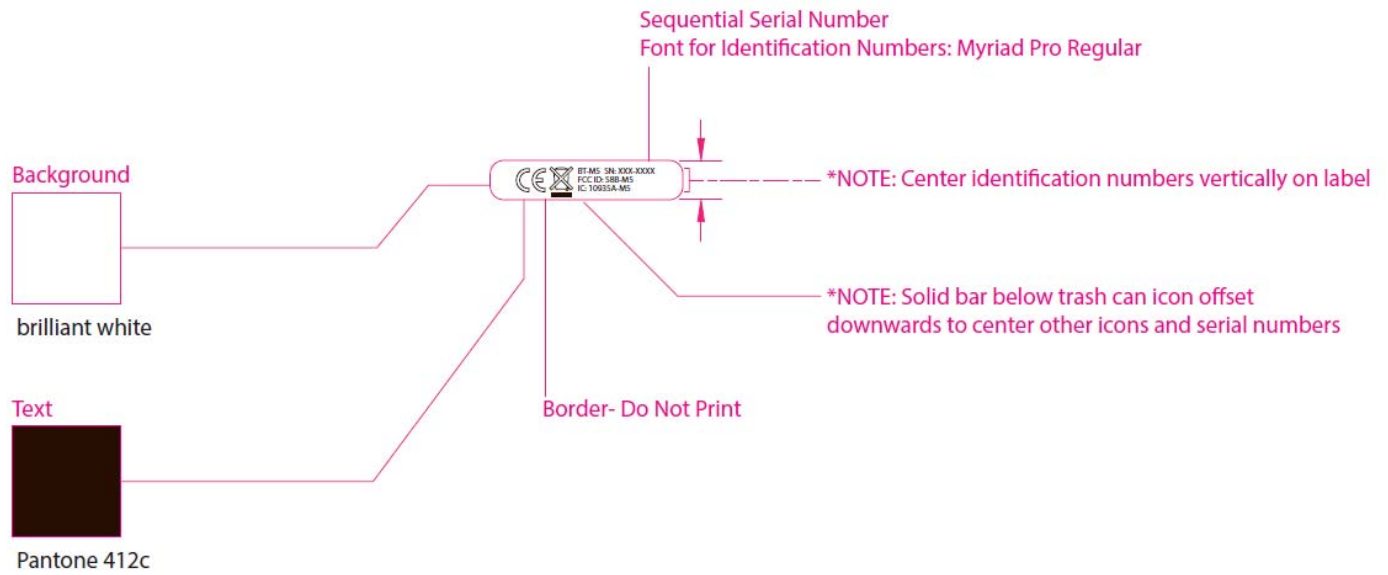
The Label shown shall be permanently affixed at a conspicuous location on the device and be readily visible to the user at the time of purchase.



Label Dimensions



SAMPLE LABEL & LOCATION



- The FCC label shown is representative of the label that will appear on the radio when in production. Other information may also be included on this label.