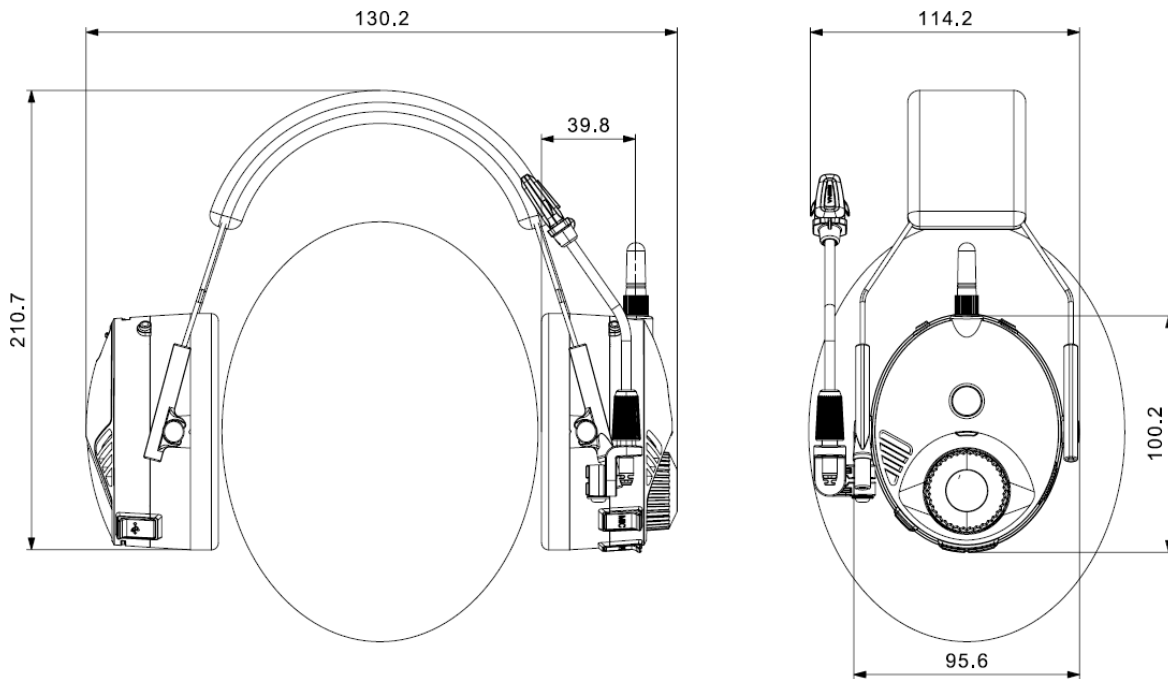


May 2nd, 2016

DECLARATION OF IDENTITY

Applicant : SENA TECHNOLOGIES.Inc
Type of Product : Industrial Bluetooth Communication System
Model Name : Tufftalk (FCC ID: S7A-SP27, IC: 8154A-SP27)

The end users can NOT change arbitrarily the position of the antenna on the market.



Sincerely,

Seunhyun Kim / Research Engineer