

Bluetooth Antenna Specification

2006.7.6
FUJITSU Limited

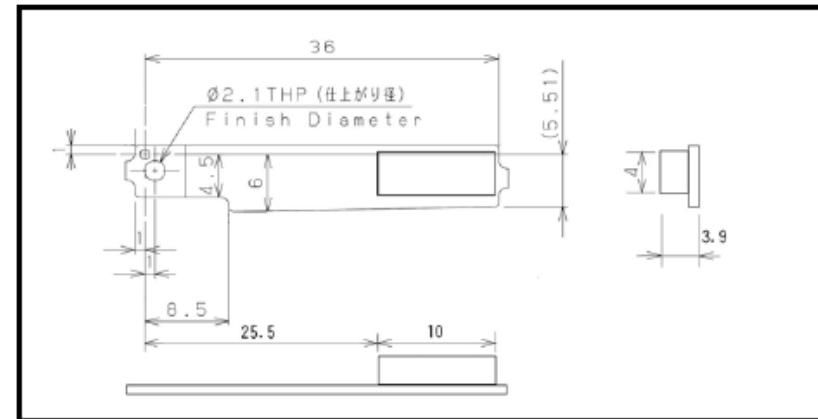
Model: CP305460

Antenna Type: Inverted F

Appearance:



Dimension:



Features:

Impedance 50Ω
Frequency Band 2400 ~ 2500MHz

MAX Gain: 1.46dBi

VSWR: 1.1762

To : FUJITSU LIMITED

Application : For Bluetooth
 Antenna Model : 250L00270(ECRU)
 Measurement Condition : Gilia Disp.-Open
 Antenna Matching : Non
 Correction of Cable Loss : Non (include Loss 0.55dB)

Measurement Institution : Yokowo No.3 Radio Measuring Site
 Date : 2006/05/19
 Measured by : M.Matsuzaki

f=2400MHz

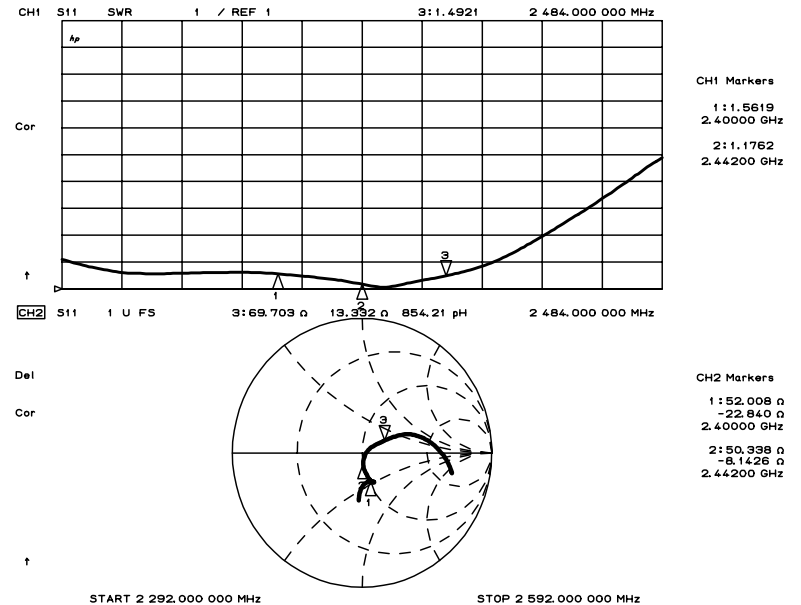
Plane	Tx	Peak. Gain [dBi]	Avg. Gain [dBi]	Tx H & V Avg. [dBi]	Each Freq. Avg. [dBi]
X-Y	Horizontal	-2.56	-8.02	-7.83	-8.22
	Vertical	-2.60	-7.65		
Z-Y	Horizontal	-3.75	-9.35	-8.77	
	Vertical	-2.37	-8.25		
Z-X	Horizontal	1.46	-6.56	-8.13	
	Vertical	-5.56	-10.60		

X-Y Plane All Avg. (All Freq.)	-8.1 dBi
Z-Y Plane All Avg. (All Freq.)	-9.0 dBi
Z-X Plane All Avg. (All Freq.)	-8.7 dBi
All Plane & All Freq. Avg.	-8.6 dBi

f=2442MHz

Plane	Tx	Peak. Gain [dBi]	Avg. Gain [dBi]	Tx H & V Avg. [dBi]	Each Freq. Avg. [dBi]
X-Y	Horizontal	-2.37	-8.02	-7.65	-8.34
	Vertical	-3.21	-7.31		
Z-Y	Horizontal	-3.47	-10.24	-8.85	
	Vertical	-1.22	-7.80		
Z-X	Horizontal	1.15	-7.33	-8.62	
	Vertical	-6.04	-10.46		

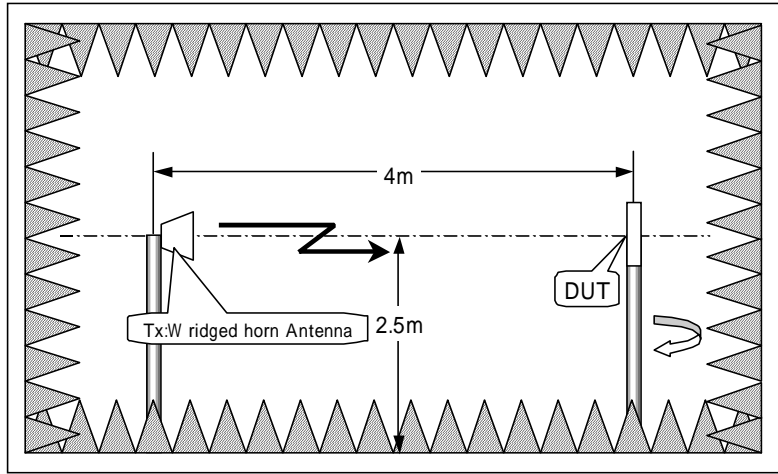
VSWR



f=2484MHz

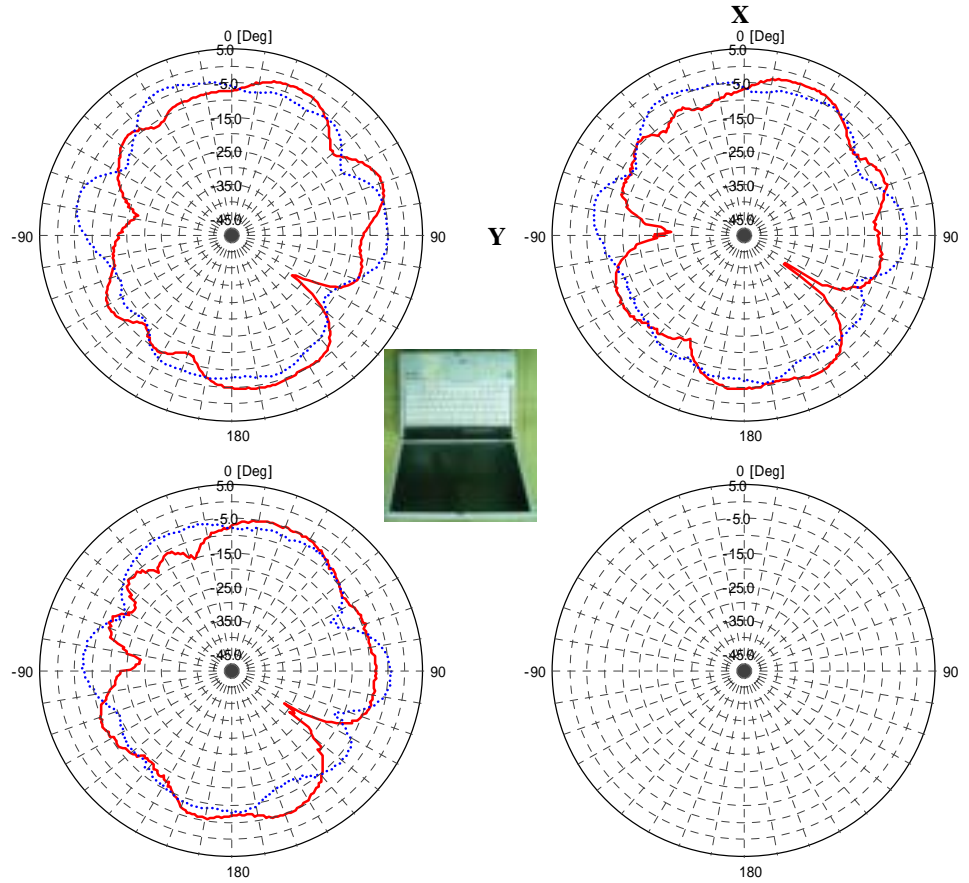
Plane	Tx	Peak. Gain [dBi]	Avg. Gain [dBi]	Tx H & V Avg. [dBi]	Each Freq. Avg. [dBi]
X-Y	Horizontal	-4.85	-9.20	-9.02	-9.24
	Vertical	-4.31	-8.85		
Z-Y	Horizontal	-2.99	-11.53	-9.41	
	Vertical	-1.42	-7.99		
Z-X	Horizontal	0.64	-7.76	-9.31	
	Vertical	-6.74	-11.75		

Measurement Condition



Field Pattern X-Y Plane

All AVG. -8.13[dBi]
All MAX. AVG. -3.22[dBi]



Antenna Coordinated



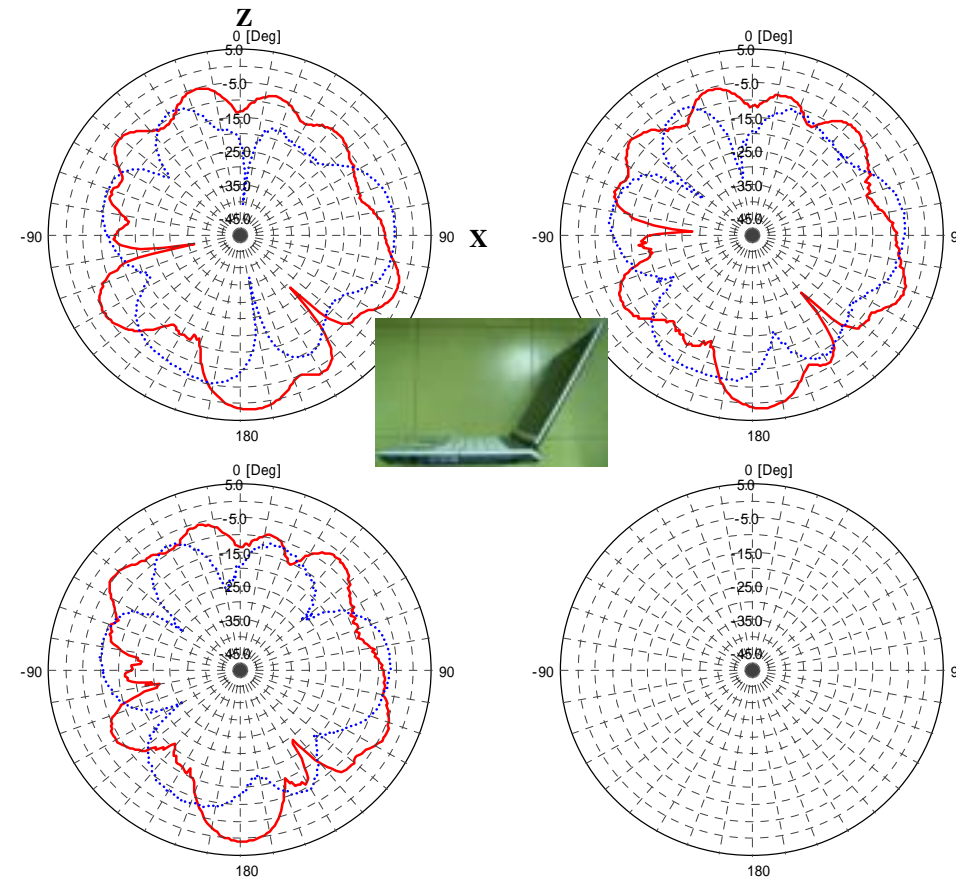
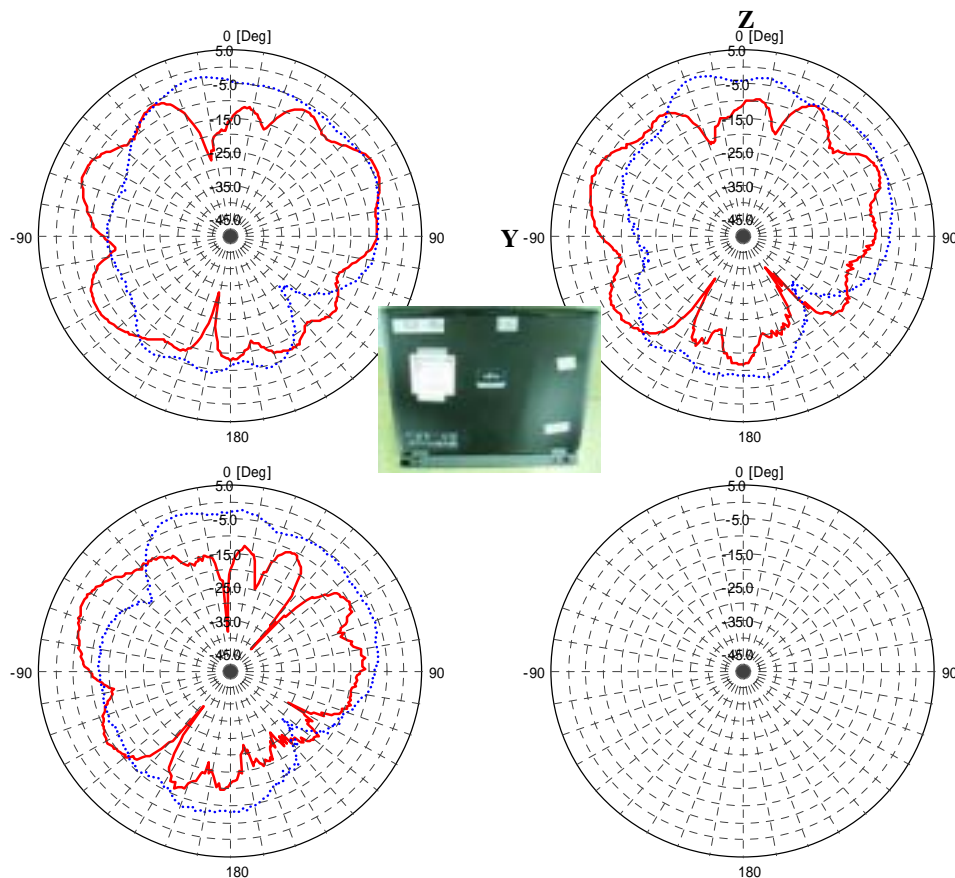
Line	No.	Frequency[MHz]	MEMO	MAX. Gain[dBi]	AVG. Gain[dBi]
1	—	2400.00	Horizontal	-2.56	-8.02
2	—	2442.00	Horizontal	-2.37	-8.02
3	—	2484.00	Horizontal	-4.85	-9.20
4	2400.00	Vertical	-2.60	-7.65
5	2442.00	Vertical	-3.21	-7.31
6	2484.00	Vertical	-4.31	-8.85

Field Pattern Z-Y Plane

Field Pattern Z-X Plane

All AVG. -9.00[dBi]
All MAX. AVG. -2.43[dBi]

All AVG. -8.66[dBi]
All MAX. AVG. -1.15[dBi]



	Line	No.	Frequency[MHz]	MEMO		MAX. Gain[dBi]	AVG. Gain[dBi]
1	—		2400.00	Horizontal		-3.75	-9.35
2	—		2442.00			-3.47	-10.24
3	—		2484.00			-2.99	-11.53
4		2400.00	Vertical		-2.37	-8.25
5		2442.00			-1.22	-7.80
6		2484.00			-1.42	-7.99

	Line	No.	Frequency[MHz]	MEMO		MAX. Gain[dBi]	AVG. Gain[dBi]
1	—		2400.00	Horizontal		1.46	-6.56
2	—		2442.00			1.15	-7.33
3	—		2484.00			0.64	-7.76
4		2400.00	Vertical		-5.56	-10.60
5		2442.00			-6.04	-10.46
6		2484.00			-6.74	-11.75