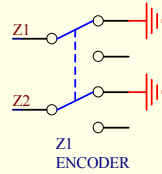
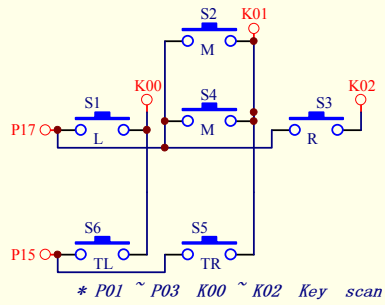
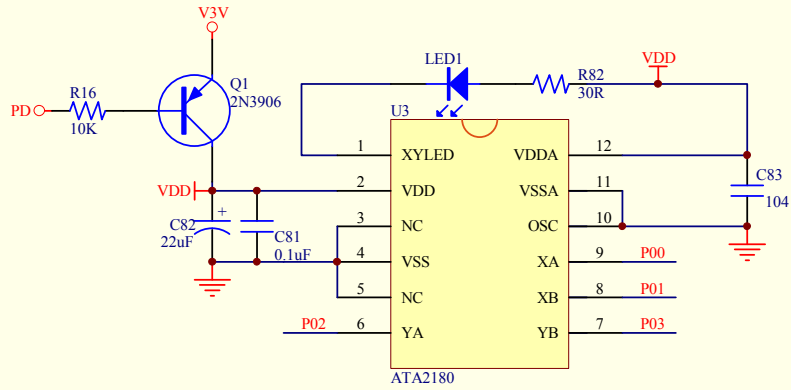
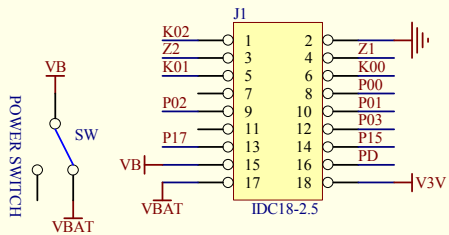


MA320A + ATA2180	
Date	Revision
MosArt Semiconductor corp. Ver 1.0	
Date	Drawn By



Title		
Size A4	Number	Revision
Date: 17-Aug-2010	Sheet of	
File: E:\file\0WORK Prote99 File\H3L\MyDes\kiddb\	kiddb	