

SparkLAN

WNFB-265AXI(BT) & AP12275_M2P

HW User manual

Version 0.0

Revision History

| Date | Revision Content | Revised By | Version |
|------------|------------------|------------|---------|
| 2020/12/02 | Initial released | Jason | 0.0 |
| | | | |
| | | | |

Contents

| | |
|---|----------|
| 1. WNFB-265AXI(BT) & AP12275_M2P User manual Introduction..... | 0 |
| 1.1. Module Block Diagram | 0 |
| 1.2. Reference Design | 1 |
| 2. WNFB-265AXI(BT) & AP12275_M2P EVB..... | 5 |

List of Figures

| | |
|--|---|
| Figure1. WNFB-265AXI(BT) & AP12275_M2P Module Block Diagram..... | 0 |
| Figure2. Module Reference Design | 2 |
| Figure3. Interface pin define reference design | 2 |
| Figure4. PCI-e Interface Connection Diagram..... | 3 |
| Figure5. UART and PCM Interface Connection Diagram..... | 3 |
| Figure6. PCB Layout Cross-section | 4 |
| Figure7. Top view of WNFB-265AXI(BT) & AP12275_M2P EVB..... | 5 |

1. WNFB-265AXI(BT) & AP12275_M2P User manual

Introduction

This document provides customers with considerations for the hardware design of WNFB-265AXI(BT). It includes hardware block diagram, reference design, and PCB stack up, which will be explained in detail below.

1.1. Module Block Diagram

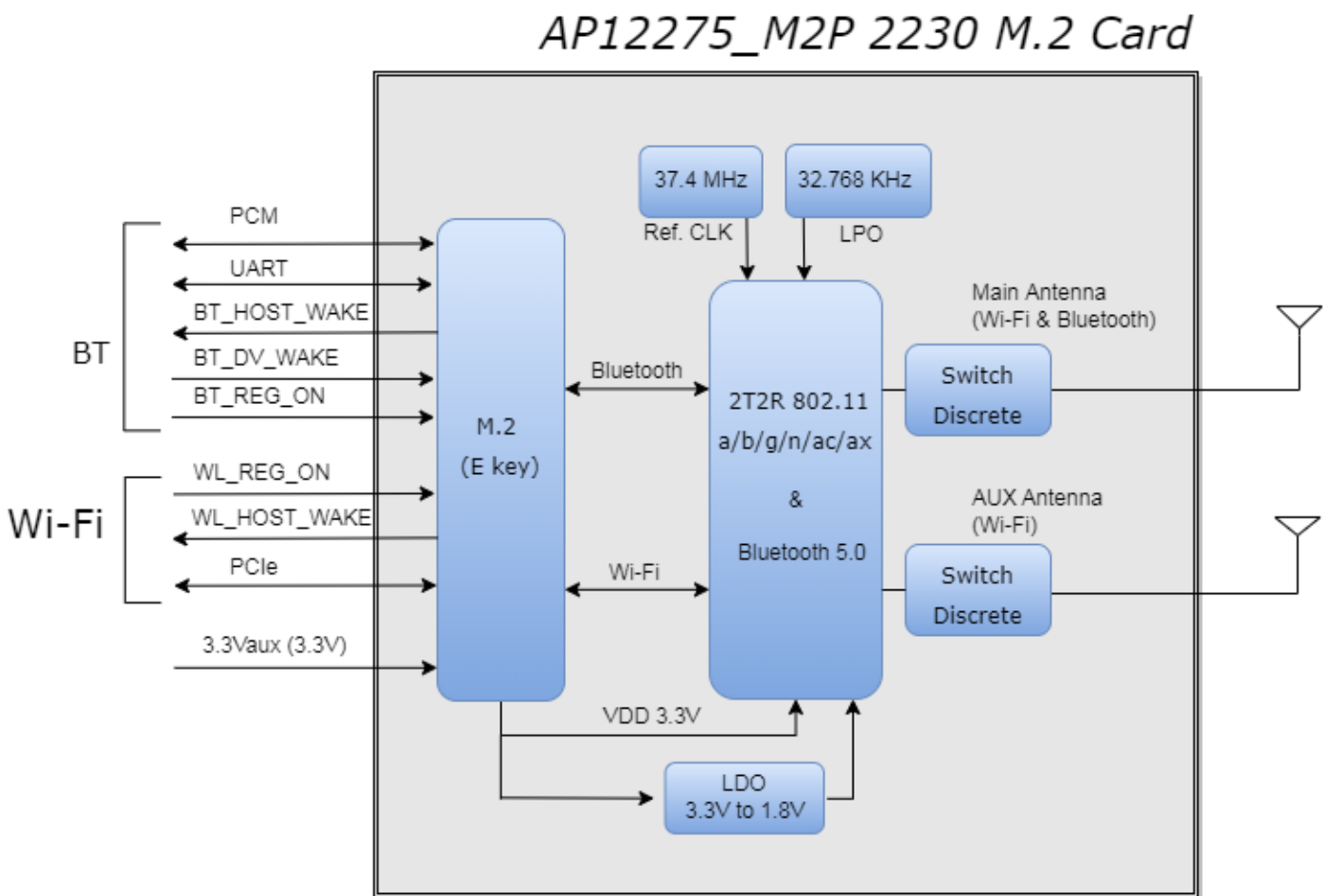


Figure1. WNFB-265AXI(BT) & AP12275_M2P Module Block Diagram

In Figure 1, WNFB-265AXI(BT) & AP12275_M2P is a fully Wi-Fi and Bluetooth functionalities 2230 M.2 card (KEY E) with integrated Bluetooth 5.0. The WLAN host interface is PCIe v3.0 compliant and runs at Gen2 speeds. The Bluetooth host interface is a UART interface and it also supports PCM interface.

1.2. Reference Design

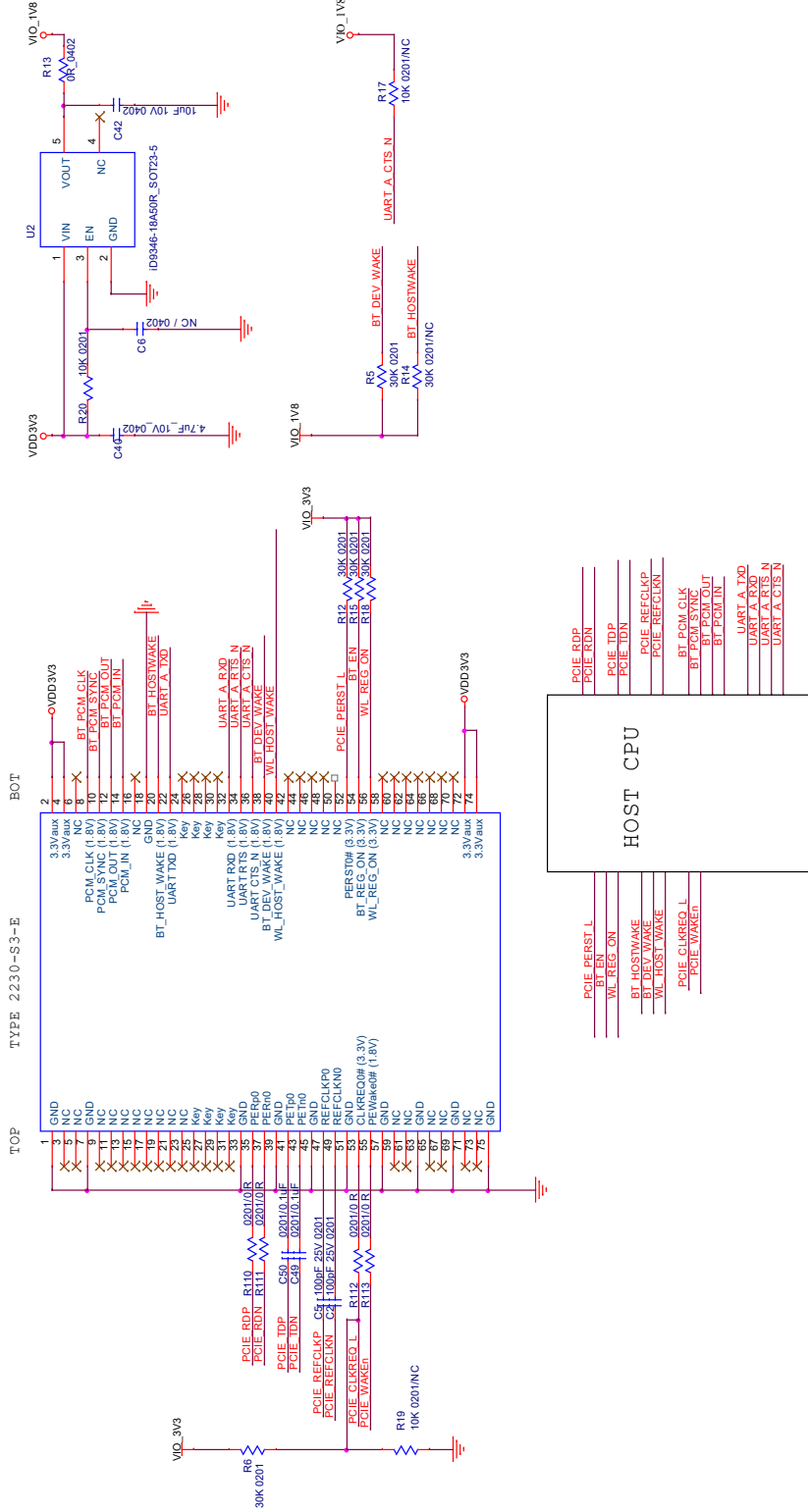


Figure2. Module Reference Design

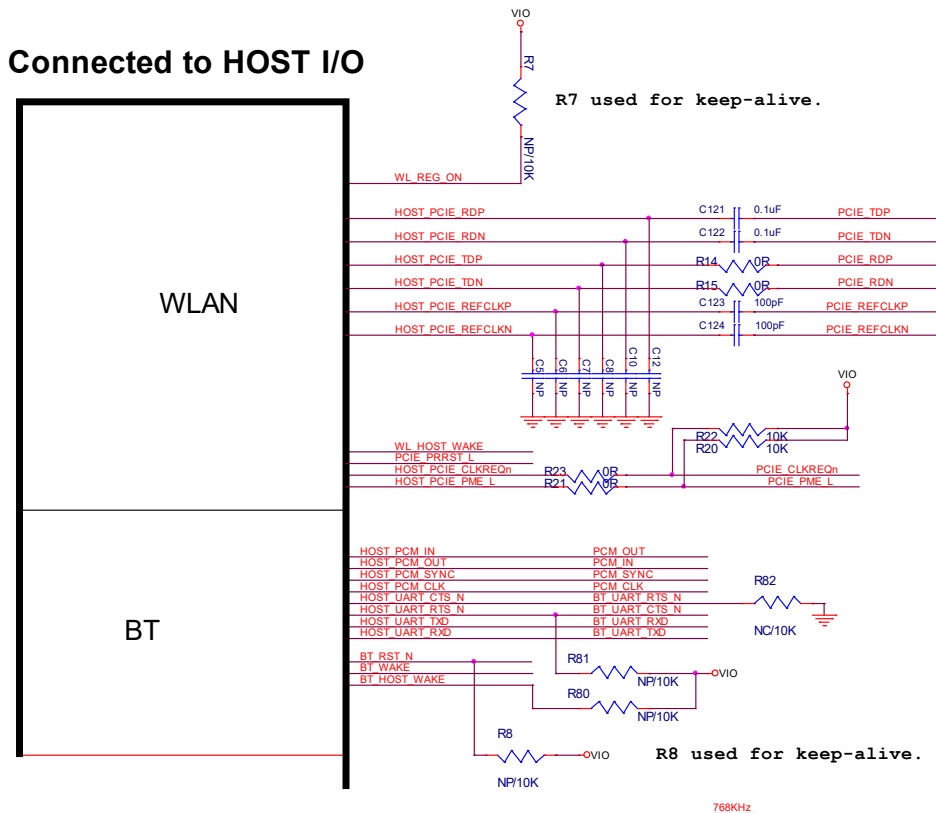


Figure3. Interface pin define reference design

The recommended schematic configuration for all of the interfaces and GPIOs are shown as figure 4. The connection block diagram of the PCI-e interface is shown in figure 5. However, the connection block diagram of UART and PCN interfaces is shown in figure 6. The PCI-e differential pair signals impedance target is 100 ohms impedance. The length difference of each pair of differential signals does not exceed 10 mil, and the integrity of a ground plane should be maintained, as far as possible.

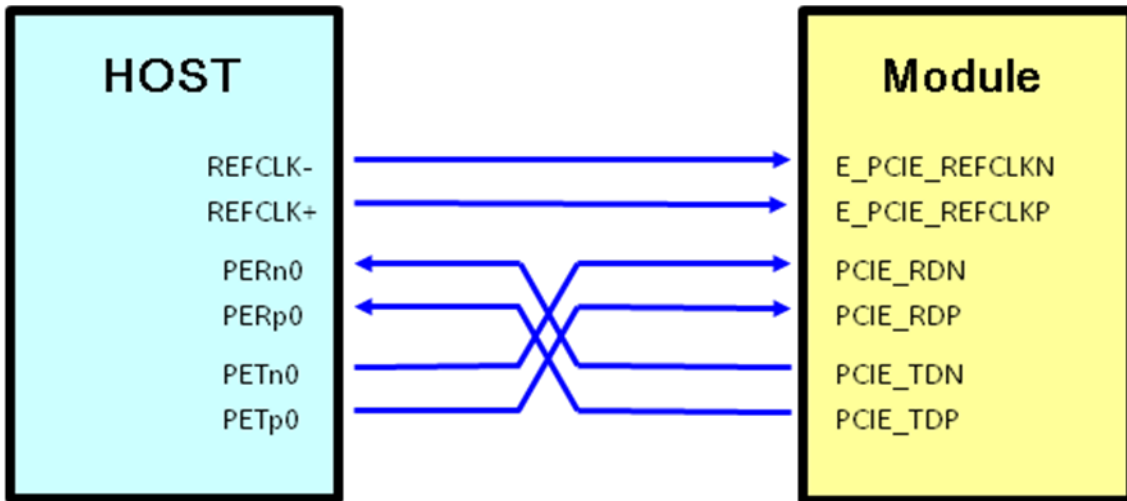


Figure4. PCI-e Interface Connection Diagram

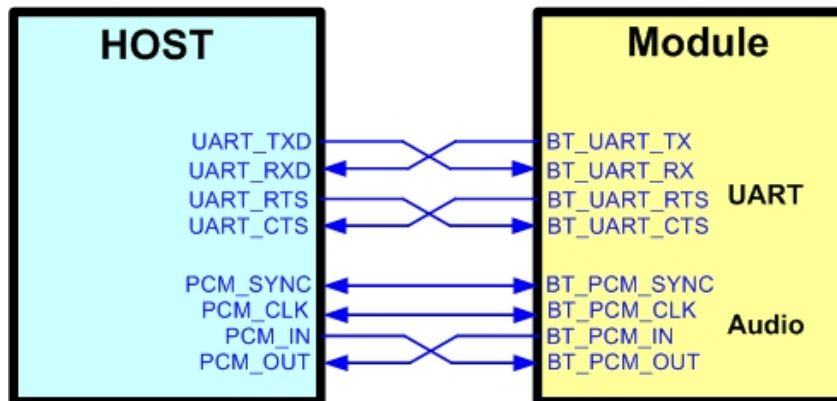


Figure5. UART and PCM Interface Connection Diagram

| 一般四層版 (單位=mil) | | 成品銅厚=oz | 單位=mm |
|-------------------|--------|-----------|-------|
| 成品板厚 | 31.496 | | 0.800 |
| 上層防焊厚度 min | 0.400 | ← 有金手指, 新 | 0.010 |
| TOP~min | 1.300 | 0.93 | 0.033 |
| PP | 3.700 | | 0.094 |
| L2 | 1.200 | 0.86 | 0.030 |
| CORE | 18.296 | | 0.465 |
| L3 | 1.200 | 0.86 | 0.030 |
| PP | 3.700 | ← 有金手指, 新 | 0.094 |
| BOT ~min | 1.300 | 0.93 | 0.033 |
| 下層防焊厚度 min | 0.400 | | 0.010 |
| 1 層 Core / 2 層 PP | | | |

Figure6. PCB Layout Cross-section

2. WNFB-265AXI(BT) & AP12275_M2P EVB

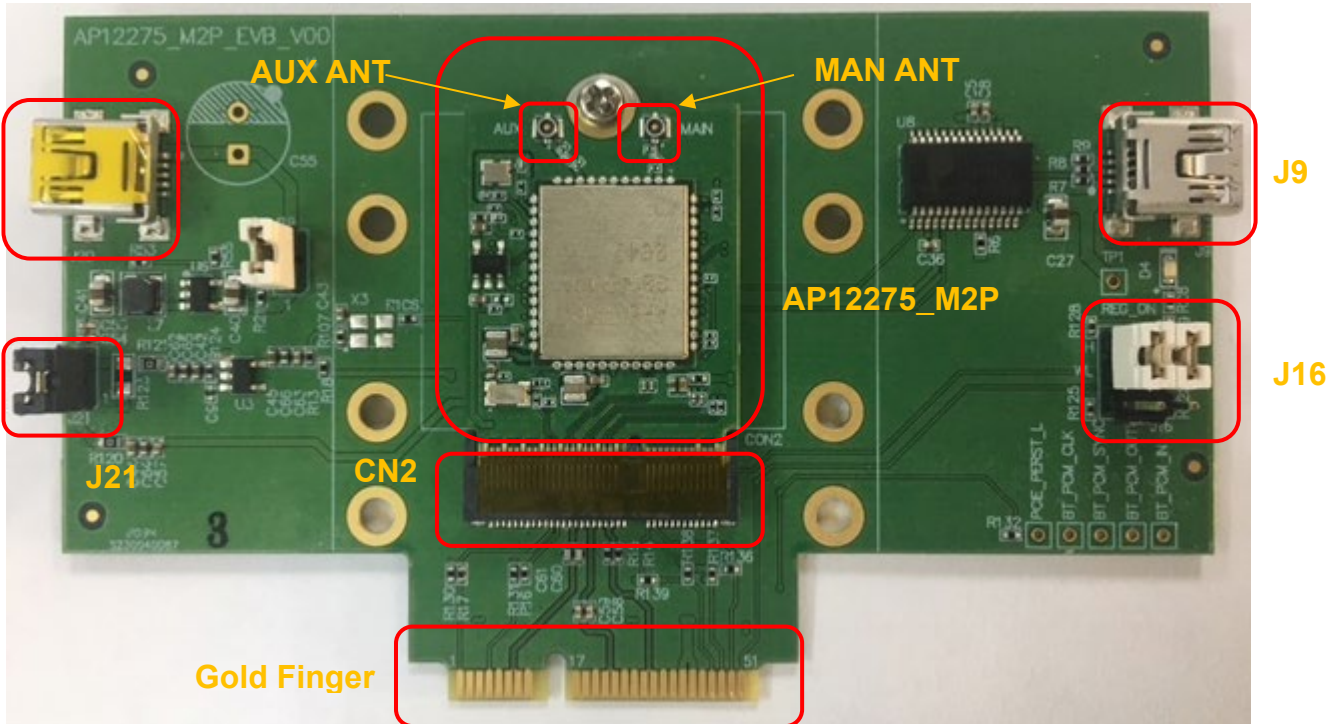


Figure7. Top view of WNFB-265AXI(BT) & AP12275_M2P EVB

Interface highlights:

1. WNFB-265AXI(BT) & AP12275_M2P: Fully Wi-Fi and Bluetooth functionalities 2230 M.2 card.
2. J9: Mini USB interface connector for Bluetooth function control and measuring.
3. J16: Enable(H) or disable(L) Bluetooth, WiFi function.
4. J21: 3.3V for M.2 card main system power path.
5. J20: Main Power 5V/2A DC mini USB input connector.
6. Gold Finger: Half-min PCI-e interface for Wi-Fi function control and measuring.
7. MAN ANT: RF Coaxial cable connector compatible to IPEX MHF4, WiFi and Bluetooth share antenna.
8. AUX ANT: RF Coaxial cable connector compatible to IPEX MHF4, WiFi only antenna.
9. CN2: M.2 (NGFF) CONNECTOR E Key.

Federal Communication Commission Interference Statement:

This equipment has been tested and found to comply with the limits for a Class B digital device, pursuant to part 15 of the FCC Rules. These limits are designed to provide reasonable protection against harmful interference in a residential installation. This equipment generates, uses and can radiate radio frequency energy and, if not installed and used in accordance with the instructions, may cause harmful interference to radio communications. However, there is no guarantee that interference will not occur in a particular installation. If this equipment does cause harmful interference to radio or television reception, which can be determined by turning the equipment off and on, the user is encouraged to try to correct the interference by one or more of the following measures:

- Reorient or relocate the receiving antenna.
- Increase the separation between the equipment and receiver.
- Connect the equipment into an outlet on a circuit different from that to which the receiver is connected.
- Consult the dealer or an experienced radio/TV technician for help.

Any changes or modifications not expressly approved by the party responsible for compliance could void your authority to operate the equipment.

RF exposure statements

This Transmitter must not be co-located or operating in conjunction with any other antenna or transmitter.

This equipment complies with FCC RF radiation exposure limits set forth for an uncontrolled environment. This equipment should be installed and operated with a minimum distance of 20 centimeters between the radiator and your body or nearby persons.

CFR 47 FCC PART 15 SUBPART C (15.247) and SUBPART E (15.407) has been investigated. It is applicable to the modular transmitter.

The devices must be installed and used in strict accordance with the manufacturer's instructions as described in the user documentation that comes with the product.

This radio transmitter RYK-WNFB265AXIBT has been approved by Federal Communications

Commission to operate with the antenna types listed below, with the maximum permissible gain indicated. Antenna types not included in this list that have a gain greater than the maximum gain indicated for any type listed are strictly prohibited for use with this device.

Unique antenna connector (RP-SMA) must be used on the Part 15 authorized transmitters used in the host product.

| Antenna Type | Antenna Model | Maximum Gain (dBi) | | Remark |
|--------------|---------------|--------------------|----------|--------|
| | | 2.4 GHz | 5GHz | |
| Dipole | AD-103AG | 2.02 dBi | 2.03 dBi | |
| Dipole | AD-302N | 3.14 dBi | 2.73 dBi | |
| Dipole | AD-303N | 3.14 dBi | 3.24 dBi | |

Length of Antenna cable: 150mm Connector type of Antenna cable: I-PEX/MHF4 to RP-SMA(F)

If the FCC identification number is not visible when the module is installed inside another device, then the outside of the device into which the module is installed must also display a label referring to the enclosed module. This exterior label can use wording such as the following: “Contains Transmitter Module FCC ID: RYK-WNFB265AXIBT” Or “Contains FCC ID: RYK-WNFB265AXIBT”

The modular transmitter is only FCC authorized for the specific rule parts (i.e., FCC transmitter rules) listed on the grant, and the host product manufacturer is responsible for compliance to any other FCC rules that apply to the host not covered by the modular transmitter grant of certification. The final host product still requires Part 15 Subpart B compliance testing with the modular transmitter installed.

Industry Canada statement:

This device complies with Industry Canada license-exempt RSSs. Operation is subject to the following two conditions:

- 1) This device may not cause interference, and
- 2) This device must accept any interference, including interference that may cause undesired operation of the device.

Le présent appareil est conforme aux CNR d'Industrie Canada applicables aux appareils radio exempts de licence. L'exploitation est autorisée aux deux conditions suivantes :

- 1) l'appareil ne doit pas produire de brouillage;
- 2) l'utilisateur de l'appareil doit accepter tout brouillage radioélectrique subi, même si le brouillage est susceptible d'en compromettre le fonctionnement.

Caution:

- 1) The device for operation in the band 5150–5250 MHz is only for indoor use to reduce the potential for harmful interference to co-channel mobile satellite systems;
- 2) For devices with detachable antenna(s), the maximum antenna gain permitted for devices in the bands 5250-5350 MHz and 5470-5725 MHz shall be such that the equipment still complies with the e.i.r.p. limit;
- 3) For devices with detachable antenna(s), the maximum antenna gain permitted for devices in the band 5725-5850 MHz shall be such that the equipment still complies with the e.i.r.p. limits specified for point-to-point and non-point-to-point operation as appropriate; and

Avertissement:

- 1) Le dispositif fonctionnant dans la bande 5150-5250 MHz est réservé uniquement pour une utilisation à l'intérieur afin de réduire les risques de brouillage préjudiciable aux systèmes de satellites mobiles utilisant les mêmes canaux;
- 2) Le gain maximal d'antenne permis pour les dispositifs avec antenne(s) amovible(s) utilisant les bandes 5250-5350 MHz et 5470-5725 MHz doit se conformer à la limitation P.I.R.E.;
- 3) Le gain maximal d'antenne permis pour les dispositifs avec antenne(s) amovible(s) utilisant la

bande 5725-5850 MHz doit se conformer à la limitation P.I.R.E spécifiée pour l'exploitation point à point et non point à point, selon le cas.

Radiation Exposure Statement:

This equipment complies with IC radiation exposure limits set forth for an uncontrolled environment. This equipment should be installed and operated with minimum distance 20cm between the radiator & your body.

Déclaration d'exposition aux radiations:

Cet équipement est conforme aux limites d'exposition aux rayonnements IC établies pour un environnement non contrôlé. Cet équipement doit être installé et utilisé avec un minimum de 20 cm de distance entre la source de rayonnement et votre corps.

This radio transmitter (IC: 6158A-NFB265AXIBT has been approved by Industry Canada to operate with the antenna types listed below with the maximum permissible gain indicated. Antenna types not included in this list, having a gain greater than the maximum gain indicated for that type, are strictly prohibited for use with this device.

Le présent émetteur radio (IC: 6158A-NFB265AXIBT a été approuvé par Industrie Canada pour fonctionner avec les types d'antenne énumérés cidessous et ayant un gain admissible maximal. Les types d'antenne non inclus dans cette liste, et dont le gain est supérieur au gain maximal indiqué, sont strictement interdits pour l'exploitation de l'émetteur.

| Antenna Type | Antenna Model | Maximum Gain (dBi) | | Remark |
|--------------|---------------|--------------------|----------|--------|
| | | 2.4 GHz | 5GHz | |
| Dipole | AD-103AG | 2.02 dBi | 2.03 dBi | |
| Dipole | AD-302N | 3.14 dBi | 2.73 dBi | |
| Dipole | AD-303N | 3.14 dBi | 3.24 dBi | |

If the ISED certification number is not visible when the module is installed inside another device, then the outside of the device into which the module is installed must also display a label referring to the enclosed module. This exterior label can use wording such as the following: "Contains IC: 6158A-NFB265AXIBT".

Si le numéro de certification ISDE n'est pas visible lorsque le module est installé à l'intérieur d'un autre appareil, alors l'extérieur de l'appareil dans lequel le module est installé doit également afficher une étiquette faisant référence au module inclus. Cette étiquette extérieure peut utiliser un

libellé comme celui-ci: " Contient IC: 6158A-NFB265AXIBT".

Plaque signalétique du produit final:

Le produit final doit être étiqueté dans un endroit visible avec l'inscription suivante: "Contient des IC: 6158A-NFB265AXIBT ".

Manual Information To the End User:

The OEM integrator has to be aware not to provide information to the end user regarding how to install or remove this RF module in the user's manual of the end product which integrates this module.

The end user manual shall include all required regulatory information/warning as show in this manual.

Manuel d'information à l'utilisateur final

L'intégrateur OEM doit être conscient de ne pas fournir des informations à l'utilisateur final quant à la façon d'installer ou de supprimer ce module RF dans le manuel de l'utilisateur du produit final qui intègre ce module. Le manuel de l'utilisateur final doit inclure toutes les informations réglementaires requises et avertissements comme indiqué dans ce manue

Must use the device only in host devices that meet the FCC/ISED RF exposure category of mobile, which means the device is installed and used at distances of at least 20cm from persons.

The end user manual shall include FCC Part 15 /ISED RSS GEN compliance statements related to the transmitter as show in this manual.

Host manufacturer is responsible for compliance of the host system with module installed with all other applicable requirements for the system such as Part 15 B, ICES 003.

Host manufacturer is strongly recommended to confirm compliance with FCC/ISED requirements for the transmitter when the module is installed in the host.

Must have on the host device a label showing Contains FCC ID: 6158A-NFB265AXIBT, Contains IC: 6158A-NFB265AXIBT

The use condition limitations extend to professional users, then instructions must state that this information also extends to the host manufacturer's instruction manual.

If the end product will involve the Multiple simultaneously transmitting condition or different operational conditions for a stand-alone modular transmitter in a host, host manufacturer have to consult with module manufacturer for the installation method in end system.

l'hôte doit utiliser l'instrument uniquement dans des dispositifs qui répondent à la fcc / (catégorie d'exposition rf mobile, ce qui signifie le dispositif est installé et utilisé à une distance d'au moins 20 cm de personnes.

le manuel de l'utilisateur final doit inclure la partie 15 / (fac rss gen déclarations de conformité relatives à l'émetteur que de montrer dans ce manuel.

le fabricant est responsable de la conformité de l'hôte, le système d'accueil avec le module installé avec toutes les autres exigences applicables du système comme la partie 15 b, ices - 003.

accueillir le fabricant est fortement recommandé de confirmer la conformité avec les exigences de la fcc / (émetteur lorsque le module est installé dans l'hôte.

le dispositif d'accueil doivent avoir une étiquette indiquant contient FCC ID: RYK-WNFB265AXIBT, contient IC : 6158A-NFB265AXIBT