

TEST REPORT

REPORT NUMBER: B07GE6790-FCC-EMC-C

ON

Type of Equipment: Mobile Phone
Type of Designation: MEGA2
Manufacturer: Ezze Mobile Tech

ACCORDING TO
FCC CFR Part 2, FREQUENCY ALLOCATIONS AND RADIO
TREATY MATTERS; GENERAL RULES AND REGULATIONS;
e-CFR, March 23, 2006
PART 22, PUBLIC MOBILE SERVICES (Oct 1, 02 Edition)
PART 24, PERSONAL COMMUNICATIONS SERVICES (Oct 1, 97
Edition)

China Telecommunication Technology Labs.

Month date, year
2008-01-04

Signature



He Guili
Director

FCC ID: RV2MEGA2
Report Date: 2007-11-30

Test Firm Name: China Telecommunication Technology Labs
Registration Number: 840587

Statement

The measurements shown in this report were made in accordance with the procedures described on test pages. All reported tests were carried out on a sample equipment to demonstrate limited compliance with FCC CFR 47 Parts 2, 22 and 24. The sample tested was found to comply with the requirements defined in the applied rules.

CONTENTS

1 GENERAL INFORMATION	4
1.1 NOTES	4
1.2 TESTERS	5
1.3 TESTING LABORATORY INFORMATION	6
1.4 DETAILS OF APPLICANT OR MANUFACTURER	7
2 TEST ITEM	8
2.1 GENERAL INFORMATION	8
2.2 OUTLINE OF EUT	8
2.3 MODIFICATIONS INCORPORATED IN EUT	8
2.4 EQUIPMENT CONFIGURATION	8
2.5 OTHER INFORMATION	9
3 SUMMARY OF TEST RESULTS	10
4 TEST RESULTS	11
4.1 RADIATED SPURIOUS EMISSION	11
4.2 RADIATED RF POWER OUTPUT AND ERP	13
4.3 OCCUPIED BANDWIDTH	16
4.4 FREQUENCY STABILITY OVER TEMPERATURE VARIATION	18
4.5 FREQUENCY STABILITY OVER VOLTAGE VARIATION	20
4.6 CONDUCTED RF POWER OUTPUT	22
4.7 CONDUCTED SPURIOUS EMISSION	24
ANNEX A EUT PHOTOS	27
ANNEX B DEVIATIONS FROM PRESCRIBED TEST METHODS	33

1 General Information

1.1 Notes

All reported tests were carried out on a sample equipment to demonstrate limited compliance with FCC CFR 47 Parts 2, 22 and 24.

The test results of this test report relate exclusively to the item(s) tested as specified in section 2.

The following deviation from, additions to, or exclusions from the test specifications have been made. See Annex C.

China Telecommunication Technology Labs.(CTTL) authorizes the applicant or manufacturer (see section 1.4) to reproduce this report provided, and the test report may only be reproduced or published in full. Reproduction or publication of extracts from the report requires the prior written approval of CTTL Mr. He Gulli.

Any use which a third party makes of this report, or any reliance on or decisions to be made based on it, are the responsibility of such third parties. CTTL accepts no responsibility for damages, if any, suffered by any third party as a result of decisions made or actions based on this report.

FCC Parts 2, 22 and 24
Equipment: MEGA2

REPORT NO.: B07GE6790-FCC-EMC-C

1.2 Testers

Name: An Shaogeng
Position: Engineer
Department: Department of EMC test
Duration of the test: From 2007-10-24 to 2008-01-04
Signature: 

Name: Wu Xiang
Position: Engineer
Department: Department of EMC test
Duration of the test: From 2007-10-24 to 2007-11-09
Signature: 

Name: Li Guoqing
Position: Engineer
Department: Department of EMC test
Duration of the test: From 2007-10-24 to 2007-11-09
Signature: 

Technical responsibility for area of testing:

Name: Zou Dongyi
Position: Manager
Department: Department of EMC test
Date: 2008-01-04
Signature: 

1.3 Testing Laboratory information

1.3.1 Location

Name: China Telecommunication Technology Labs.
Address: No. 11, Yue Tan Nan Jie, Xi Cheng District
BEIJING
P. R. CHINA, 100083
Tel: +86 10 68094053
Fax: +86 10 68011404
Email: emc@chinattl.com

1.3.2 Details of accreditation status

Accredited by: China National Accreditation for Laboratory (CNAL)
Registration number: CNAL Registration No.L0570
Standard: ISO/IEC 17025

1.3.3 Test location, where different from section 1.3.1

Name: -----
Street: -----
City: -----
Country: -----
Telephone: -----
Fax: -----
Postcode: -----

1.4 Details of applicant or manufacturer

1.4.1 Applicant

Name: Ezze Mobile Tech
Address: 1F, Bubmusa Bldg., 151-31.
Nonhyun-Dong, Kangnam-Ku, Seoul, Korea
Country: Korea
Telephone: +82-2-519-7807
Fax: +82-2-519-7882
Contact: Byoung Dae Ahn
Telephone: +82-2-519-7805
Email: eosahn@ezzemobile.com

1.4.2 Manufacturer (if different from applicant in section 1.4.1)

Name: --
Address: --
City: --
Country: --

2 Test Item

2.1 General Information

Manufacturer: Ezze Mobile Tech

Name: Mobile Phone

Model Number: MEGA2

Serial Number: None

Production Status: None

Receipt date of test item: Production

2.2 Outline of EUT

EUT is a GSM850/ PCS1900 Dual-band Terminal Equipment.

2.3 Modifications Incorporated in EUT

The EUT has not been modified from what is described by the brand name and unique type identification stated above.

2.4 Equipment Configuration

Equipment configuration list:

Item	Generic Description	Manufacturer	Type	Serial No.	Remarks
A	Mobile Station	Ezze Mobile Tech	MEGA2	--	None
B	Adapter	Yu Feng	USB type charger	--	None
C	Battery	ZhiYin	LiO+	--	None
D	Headset	Rich star	Wire type		

Cables:

Item	Cable Type	Manufacturer	Length	Shield	Quantity	Remarks
1	DC cable on Adapter	Unknown	1.80m	No	1	None

2.5 Other Information

None

TTL Test Report

3 Summary of Test Results

A brief summary of the tests carried out is shown as following.

Specification Clause	Name of Test	Result
GSM mode:		
2.1051, 24.238, 2.1053,22.917	Radiated Spurious Emission	Pass
2.1046,24.232	Radiated RF Power Output	Pass
22.913(a)	Effective Radiated Power (ERP)	Pass
2.1049,22.917(b), 24.238(b)	Occupied Bandwidth	*Note 1
2.1055,22.355, 24.235	Frequency Stability over Temperature Variation	Pass
2.1055,22.355, 24.235	Frequency Stability over Voltage Variation	Pass
Note 1: No applicable performance criteria.		
Note 2: The Power Output Conducted is not tested since the antenna of the EUT is internal integrated and is not removable or can't readily access to the connection point.		

GTL TEST REPORT

4 Test Results

4.1 Radiated Spurious Emission

Specifications:	2.1051, 24.238,2.1053,22.917					
Date of Tests	2007.10.26					
Test conditions:	Ambient Temperature: 15°C -35°C Relative Humidity: 30%-60% Air pressure: 86-106kPa					
Operation Mode	channel 190 and 661					
Test Results:	Pass					
Test equipment Used:						
Asset Number	Description	Manufacturer	Model Number	Serial Number	Cal Due	State
7805	EMI Test Receiver	R/S	ESI26	100211	2008-01-03	Normal
7330	Ultra Broadband Antenna	R/S	HL562	100013	2009-07-23	Normal
7330	Double-Ridged Horn Antenna	R/S	HF906	100037	2008-01-13	Normal
713	Fully-Anechoic Chamber	ETS	11.8m×6.5m×6.3m	--	2010-11-16	Normal
7330	Universal Radio Communications Tester	R&S	CMU200	100233	2008-02-22	Normal

Limit Level Construction:

According to Part 24.238 (a), i.e., Out of band emissions. The power of any emission outside of the authorized operating frequency ranges must be attenuated below the transmitting power (P) by a factor of at least $43 + 10 \log(P)$ dB, so the limit level is:
 $P(\text{dBm}) - (43 + 10 \log(P)) \text{ dB} = -13\text{dBm}$

Limits for Radiated spurious emissions(UE)

Frequency range	Limit Level /Resolution Bandwidth
30 MHz to 20000 MHz	-13dBm/1MHz

Test Setup:

The EUT was placed in an anechoic chamber. The CMU 200 was used to set the TX channel and power level and modulate the TX signal with different bit patterns. A Bi-log antenna (for frequency under 1GHz) and a horn antenna (for frequency above 1GHz) transmit the signal to test receiver. The test was done using an automated test system, where all test equipments were controlled by a computer.

Test Method:

1 The maximum spurious emissions were searched by turning the azimuth of the turntable, shifting the polarization of the measuring antenna and changing the pose of the EUT.

2 Levels of EUT's transmitter harmonics and suspicious signals were recorded.

3 The recorded levels were corrected in the automated test system with the correction factors given by a substitution calibration made before the measurement. The calibration was made separately for vertical and horizontal polarization and the system uses different correction factors depending on the measuring antenna polarization.

4 The corrected values of radiated spurious emissions indicated as EIRP are reported.

Note:

1 A fully charged battery was used during the test.

2 The investigated ARFCNs are 190 (836.6 MHz) and 661 (1880.0 MHz), which are the middle channel of GSM 850 MHz band and PCS 1900 MHz band respectively.

3 The investigated frequency range is 30 MHz ~ 20 GHz, including out of band emission and band-edge emission measurements.

Test Results for GSM mode:

Out of band emission			
Frequency [MHz]	SPU emission [dBm]	EUT pose [H/V]	Antenna Polarization [H/V]
3346.4	-50.2	V	H
3346.4	-43.2	V	V
4183.0	-51.9	V	V
3760.0	-52.6	V	H
9400.0	-38.2	V	H
5640.0	-39.5	H	H
9400.0	-42.4	V	V
7520.0	-45.0	H	V
9400.0	-37.2	H	V
Band-edge emission			
EUT Channel	Level [dBm]		
190	-13.56		
661	-15.39		

4.2 Radiated RF Power Output and ERP

Specifications:	2.1046,24.232,22.913(a)					
Date of Tests	2007.11.08					
Test conditions:	Ambient Temperature: 15°C-35°C Relative Humidity: 30%-60% Air pressure: 86-106kPa					
Operation Mode	channel 128, 190, 251, 512, 661 and 810					
Test Results:	Pass					
Test equipment Used:						
Asset Number	Description	Manufacturer	Model Number	Serial Number	Cal Due	State
7805	EMI Test Receiver	R/S	ESI26	100211	2008-01-03	Normal
7330	Ultra Broadband Antenna	R/S	HL562	100013	2009-07-23	Normal
7330	Double-Ridged Horn Antenna	R/S	HF906	100037	2008-01-13	Normal
713	Fully-Anechoic Chamber	ETS	11.8m×6.5m×6.3m	--	2010-11-16	Normal
7330	Universal Radio Communications Tester	R&S	CMU200	100233	2008-02-22	Normal

Limit Level Construction:

(a) Radiated RF Power Output
According to Part 24.232(b), i.e., Mobile/portable stations are limited to 2 watts EIRP peak power and the equipment must employ means to limit the power to the minimum necessary for successful communications, so the limit level is 2 W or 33 dBm.

(b) ERP
According to Part 22.913(a), the ERP of mobile transmitters and auxiliary test transmitters must not exceed 7 Watts.

Limits for Radiated RF Power Output	
Frequency range	Limit Level (EIRP)/Resolution Bandwidth
TX channel	33dBm/1MHz
Limits for ERP	
Frequency range	Limit Level (ERP)
TX channel	7W

Test Setup:

The EUT was set in an anechoic chamber, a communication antenna beside the EUT, which is connected to the CMU 200 located outside the chamber. A Bi-log antenna (for frequency under 1GHz) and a horn antenna (for frequency above 1GHz) transmit the signal to test receiver. The test was done using an automated test system, where all test equipments were controlled by a computer.

Test Method

- 1 The maximum power was searched by turning the azimuth of the turntable, shifting the polarization of the measuring antenna and changing the pose of the EUT.
- 2 The measured levels are EIRP values corrected in the automated test system with the correction factors given by a substitution calibration made before the measurement. The calibration is made separately for vertical and horizontal polarization and the system uses different correction factors depending on the measuring antenna polarization.
- 3 The corrected maximum levels were reported for EIRP values, and ERP values can be calculated from EIRP values.

Note:

- 1 A fully charged battery was used during the test.
- 2 For GSM 850 MHz band, the ARFCN 128 (824.2 MHz), 190 (836.6 MHz) and 251 (848.8 MHz) are investigated, which are the lowest, middle and highest channel. For PCS 1900 MHz band, the ARFCN 512 (1850.2 MHz), 661 (1880.0 MHz) and 810 (1909.8 MHz) are investigated, which are the lowest, middle and highest channel.
- 3 $ERP\text{ dBm} = EIRP\text{ dBm} - 2.15\text{dB}$.

ERP Value for GSM 850 band mode:

ARFCN	Frequency [MHz]	ERP [dBm]
128	824.22	24.22
190	836.70	24.93
251	848.70	25.72

EIRP Value for PCS 1900 band mode:

ARFCN	Frequency [MHz]	EIRP [dBm]
512	1850.26	24.92
661	1879.72	24.20
810	1909.72	23.85

TTL Test Report

4.3 Occupied bandwidth

Specifications:	2.1049,22.917(b),24.238(b)					
Date of Test	2007.11.08					
Test conditions:	Ambient Temperature: 15°C-35°C Relative Humidity: 30%-60% Air pressure: 86-106kPa					
Operation Mode	channel 128, 190, 251, 512, 661 and 810					
Test Results:	Pass					
Test equipment Used:						
Asset Number	Description	Manufacturer	Model Number	Serial Number	Cal Due	State
7805	EMI Test Receiver	R/S	ESI26	100211	2008-01-03	Normal
7330	Ultra Broadband Antenna	R/S	HL562	100013	2009-07-23	Normal
7330	Double-Ridged Horn Antenna	R/S	HF906	100037	2008-01-13	Normal
713	Fully-Anechoic Chamber	ETS	11.8m×6.5m×6.3 m	--	2010-11-16	Normal
7330	Universal Radio Communications Tester	R&S	CMU200	100233	2008-02-22	Normal

Test Setup

The situation under which maximum EIRP values were found in the measurement of the radiated RF power output was used to determine the 99% occupied bandwidth. The CMU 200 was used to set the TX channel, power level and modulation.

Test Method

The 99% occupied bandwidth was calculated from the spectrum analyzer. Markers in the spectrum analyzer were then placed between the calculated frequencies to show the calculated 99% power band, see screenshots.

Note:

- 1 A fully charged battery was used during the test.
- 2 The ARFCN 128, 190 and 251 for GSM 850 MHz band and 512, 661 and 810 for PCS 1900 MHz band are investigated.

4.3.1 Results for GSM mode:

EUT channel	99% occupied bandwidth [kHz]
128	248.50
190	248.49
251	248.49
512	240.48
661	250.50
810	250.50

TTL Test Report

4.4 Frequency Stability over Temperature Variation

Specifications:	2.1055,22.355,24.235					
Date of Test	2007.11.09					
Test conditions:	Ambient Temperature: -30°C-50°C Relative Humidity: 30%-60% Air pressure: 86-106kPa					
Operation Mode	channel 190 and 661					
Test Results:	Pass					
Test equipment Used:						
Asset Number	Description	Manufacturer	Model Number	Serial Number	Cal Due	State
7330	Universal Radio Communications Tester	R&S	CMU200	100233	2008-02-22	Normal
7330	Universal Radio Communications Tester	R&S	CMU200	100233	2008-02-22	Normal
7353-2	DC power	Agilent.	66319B	MY43000149	2008-03-02	Normal
Limit						
Frequency deviation [ppm]	±2.5					

Test Setup

The EUT was placed in a temperature chamber, demonstrated as figure T. The CMU 200 was used to set the TX channel and power level, modulate the TX signal with different bit patterns and measure the frequency of TX. A dummy battery powered by a DC power supply is used to provide a constant power source.

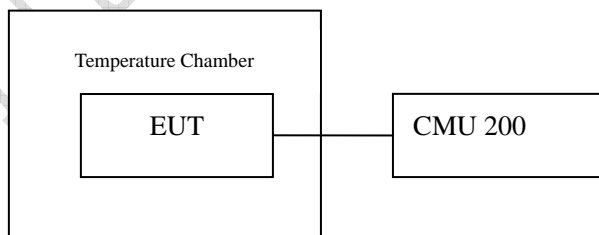


Figure T: setup for measurement of frequency stability over temperature variation

Test Method

1. The EUT was turned off and placed in the temperature chamber.
2. The temperature of the chamber was set to -30°C and allowed to stabilize.
3. The EUT temperature was allowed to stabilize for 45 minutes.
4. The EUT was turned on and set to transmit with CMU 200.
5. The maximum transmit frequency deviation during one minute period was measured by CMU 200.
6. The steps 3-5 were repeated for -20°C, -10°C, 0°C, 10°C, 20°C, 30°C, 40°C and 50°C.

4.4.1 Test results for GSM mode

The frequency deviation from the centre frequency over temperature variation is showed as table T1 and T2 for channel 190 and 661 respectively.

Table T1: frequency deviation from the centre frequency over temperature variation for channel 190

Temperature[°C]	Deviation[Hz]	Deviation[ppm]	Remarks
-30	-14	0.02	Pass
-20	-11	0.01	Pass
-10	-16	0.01	Pass
0	-17	0.01	Pass
10	-10	0.01	Pass
20	-14	0.01	Pass
30	-15	0.01	Pass
40	-14	0.01	Pass
50	-16	0.01	Pass

Table T2: frequency deviation from the centre frequency over temperature variation for channel 661

Temperature[°C]	Deviation[Hz]	Deviation[ppm]	Remarks
-30	-27	0.013	Pass
-20	-21	0.010	Pass
-10	-31	0.015	Pass
0	-29	0.014	Pass
10	-25	0.013	Pass
20	-27	0.013	Pass
30	-24	0.012	Pass
40	-27	0.013	Pass
50	-29	0.014	Pass

4.5 Frequency Stability over Voltage Variation

Specifications:	2.1055,22.355,24.235					
Date of Test	2007.11.12					
Test conditions:	Ambient Temperature: 15°C-35°C Relative Humidity: 30%-60% Air pressure: 86-106kPa					
Operation Mode	TX on, channel 190 and 661					
Test Results:	Pass					
Test equipment Used:						
Asset Number	Description	Manufacturer	Model Number	Serial Number	Cal Due	State
7330	Universal Radio Communication s Tester	R&S	CMU200	100233	2008-02-22	Normal
7353-2	DC power	Agilent.	66319B	MY43000149	2008-03-02	Normal
Limit						
Frequency deviation [ppm]	±2.5					

Test Setup

The EUT was placed in a shielding chamber and powered by an adjustable DC power supply, demonstrated as figure V. The CMU 200 was used to set the TX channel and power level, modulate the TX signal with different bit patterns and measure the frequency of TX.

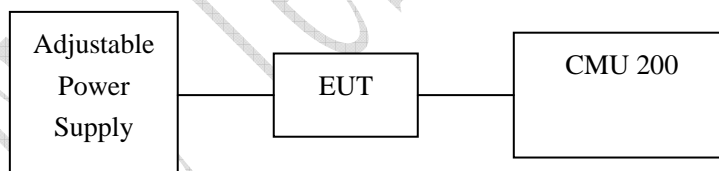


Figure V: test setup for measurement of frequency stability over voltage variation

Test Method

The EUT battery was replaced with an adjustable DC power supply. The frequency stability measured at nominal voltage and at the cut-off point.

Test Results for GSM mode:

The frequency deviation from the centre frequency over voltage variation is showed as table V1 and V2 for channel 190 and 661 respectively.

Table V1: frequency deviation from the centre frequency over temperature variation for channel 190

Level	Voltage[V]	Deviation[Hz]	Deviation[ppm]	Remarks
Nominal	4.1	-12	-0.01	Pass
Cut-off point	3.5	-14	-0.01	Pass

Table V2: frequency deviation from the centre frequency over temperature variation for channel 661

Level	Voltage[V]	Deviation[Hz]	Deviation[ppm]	Remarks
Nominal	4.1	-20	-0.01	Pass
Cut-off point	3.5	-23	-0.01	Pass

TTL Test Report

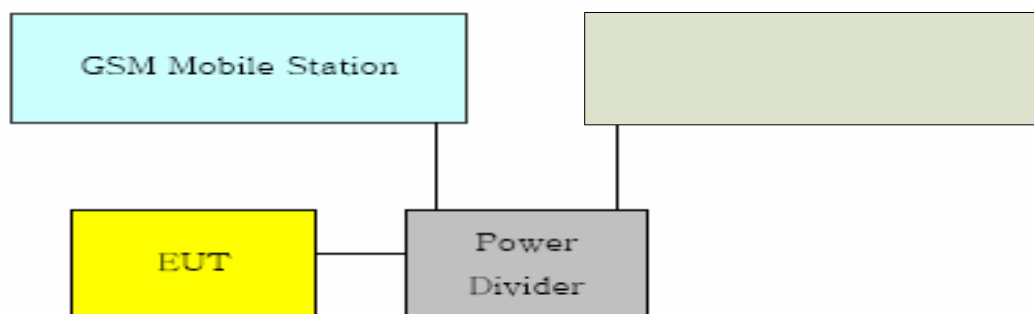
4.6 Conducted RF Power Output

Specifications:	24.232 (b)					
Date of Tests	2007.09.10					
Test conditions:	Ambient Temperature: 15°C-35°C Relative Humidity: 30%-60% Air pressure: 86-106kPa					
Operation Mode	TX on, channel 128, 190, 251, 512, 661 and 810					
Test Results:	Pass					
Test equipment Used:						
Asset Number	Description	Manufacturer	Model Number	Serial Number	Cal Due	State
7805	EMI Test Receiver	R/S	ESIB26	100211	2008-01-10	Normal
7330	Universal Radio Communications Tester	R/S	CMU200	100233	2008-04-23	Normal
---	Power splitter	Jie sai	---	1000132	2008-01-04	Normal

Limits for conducted RF Power Output	
Frequency range	Nominal Peak output power(dBm)
TX channel	30dBm/1MHz

Test Setup:

During the process of testing, the EUT was controlled via Rhode & Schwarz Digital Radio Communication tester (CMU-200) to ensure max power transmission and proper modulation and measured by Rhode & Schwarz EMI test receiver (ESIB26)



Test Method

1) The EUT was coupled to the EMI and the base station simulator through a power divider. The radio frequency load attached to the EUT antenna terminal

was 50 Ohm. The rest of the cables the test system is calibrated to correct the reading.

2) The spectrum analyzer was set to Maxpeak Detector function and Maximum hold mode.

3) The resolution bandwidth of the spectrum analyzer was comparable to the emission bandwidth.

In GSM 850 band these measurements were done at 3 channels, channel 128, 190 and 251.

In GSM 1900 band these measurements were done at 3 channels, channel 512, 661 and 810.

Note:

1 A fully charged battery was used during the test.

2 For GSM 850 MHz band, the ARFCN 128 (824.2 MHz), 190 (836.6 MHz) and 251 (848.8 MHz) are investigated, which are the lowest, middle and highest channel. For PCS 1900 MHz band, the ARFCN 512 (1850.2 MHz), 661 (1880.0 MHz) and 810 (1909.8 MHz) are investigated, which are the lowest, middle and highest channel.

ERP Value for GSM 850 band:

ARFCN	Peak output power [dBm]
128	32.3
190	32.4
251	32.7

ERP Value for PCS 1900 band:

ARFCN	Peak output power [dBm]
512	29.7
661	29.6
810	29.7

4.7 Conducted Spurious Emission

Specifications:	2.1057,22.359,24.238					
Date of Tests	2007.09.10					
Test conditions:	Ambient Temperature: 15°C-35°C Relative Humidity: 30%-60% Air pressure: 86-106kPa					
Operation Mode	TX on, channel 128, 190, 251, 512, 661 and 810					
Test Results:	Pass					
Test equipment Used:						
Asset Number	Description	Manufacturer	Model Number	Serial Number	Cal Due	State
7805	EMI Test Receiver	R/S	ESIB26	100211	2008-01-10	Normal
7330	Universal Radio Communications Tester	R/S	CMU200	100233	2008-04-23	Normal
---	Power splitter	Jie sai	---	1000132	2008-01-04	Normal

Limit Level Construction:

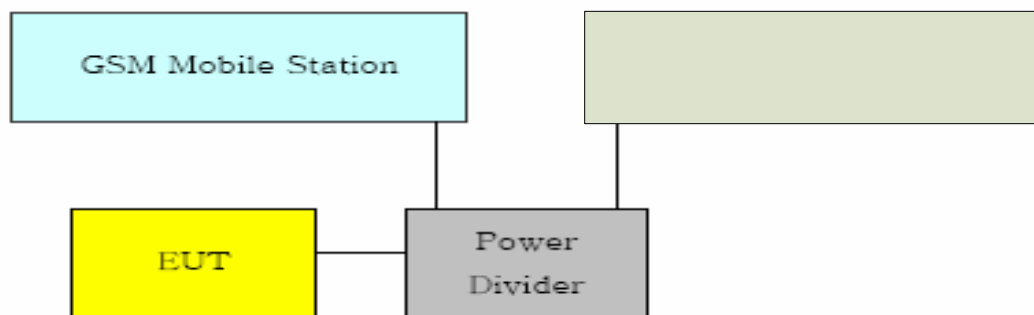
According to Part 24.238 (a), i.e., Out of band emissions. The power of any emission outside of the authorized operating frequency ranges must be attenuated below the transmitting power (P) by a factor of at least $43 + 10 \log(P)$ dB, so the limit level is:
 $P(\text{dBm}) - (43 + 10 \log(P)) \text{ dB} = -13\text{dBm}$

Limits for Radiated spurious emissions(UE)

Frequency range	Limit Level /Resolution Bandwidth
30 MHz to 20000 MHz	-13dBm/1MHz

Test Setup:

During the process of testing, the EUT was controlled via Rhode & Schwarz Digital Radio Communication tester (CMU-200) to ensure max power transmission and proper modulation and measured by Rhode & Schwarz EMI test receiver (ESIB26)



Test Method

The following steps outline the procedure used to measure the conducted emissions from the EUT.

1. Determine frequency range for measurements: From CFR 2.1057 the spectrum should be investigated from the lowest radio frequency generated in the equipment up to at least the 10th harmonic of the carrier frequency. For the equipment under test, this equates to a frequency range of 30 MHz to 19.1 GHz, data taken from 30 MHz to 20 GHz.
2. Determine EUT transmit frequencies: below outlines the band edge frequencies pertinent to conducted emissions testing.

In GSM 850 band these measurements were done at 3 channels, channel 128, 190 and 251.

In GSM 1900 band these measurements were done at 3 channels, channel 512, 661 and 810.

Note:

- 1 A fully charged battery was used during the test.
- 2 For GSM 850 MHz band, the ARFCN 128 (824.2 MHz), 190 (836.6 MHz) and 251 (848.8 MHz) are investigated, which are the lowest, middle and highest channel. For PCS 1900 MHz band, the ARFCN 512 (1850.2 MHz), 661 (1880.0 MHz) and 810 (1909.8 MHz) are investigated, which are the lowest, middle and highest channel.

Test Results for GSM mode:

Out of band emission	
Frequency [MHz]	Level (dBm)
3346.4	nf
4183.0	nf
3760.0	nf
9400.0	nf
5640.0	nf
7520.0	nf
9400.0	nf
11101.2	nf
12591.4	nf
14801.6	nf
16651.8	nf
18502.0	nf
Band-edge emission	
EUT Channel	Level [dBm]
190	-18.48
661	-19.75
nf: noise floor	

TTL Test Report

Annex A EUT Photos



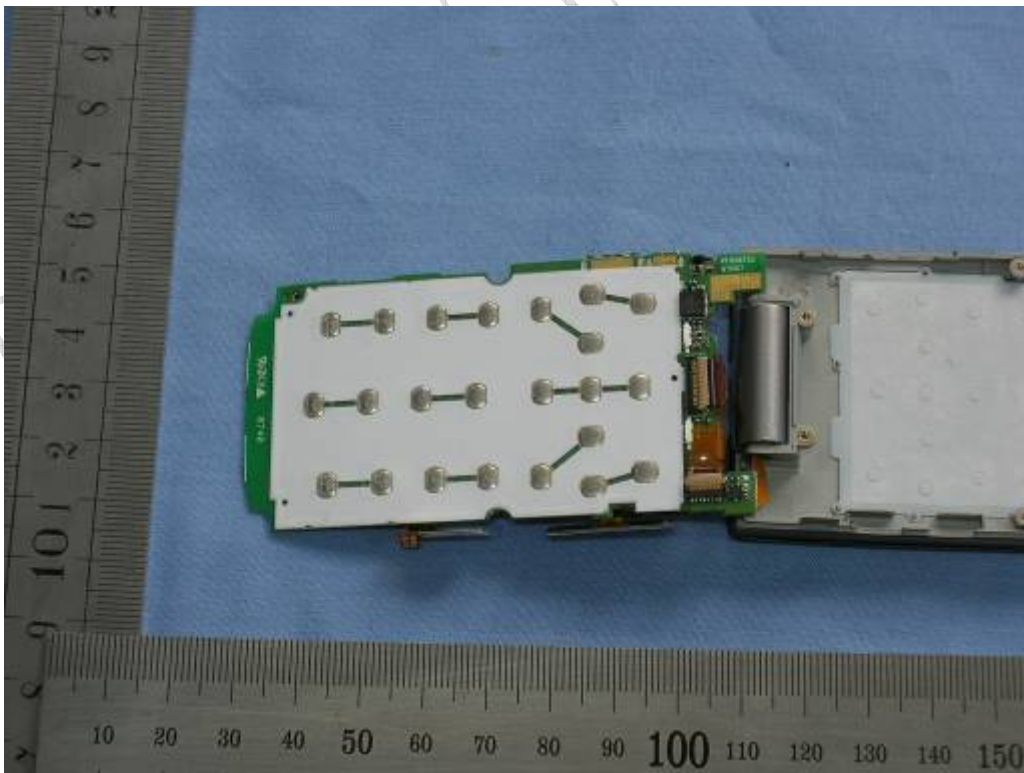
Picture 1 Front



Picture 2 Back



Picture 3 Open



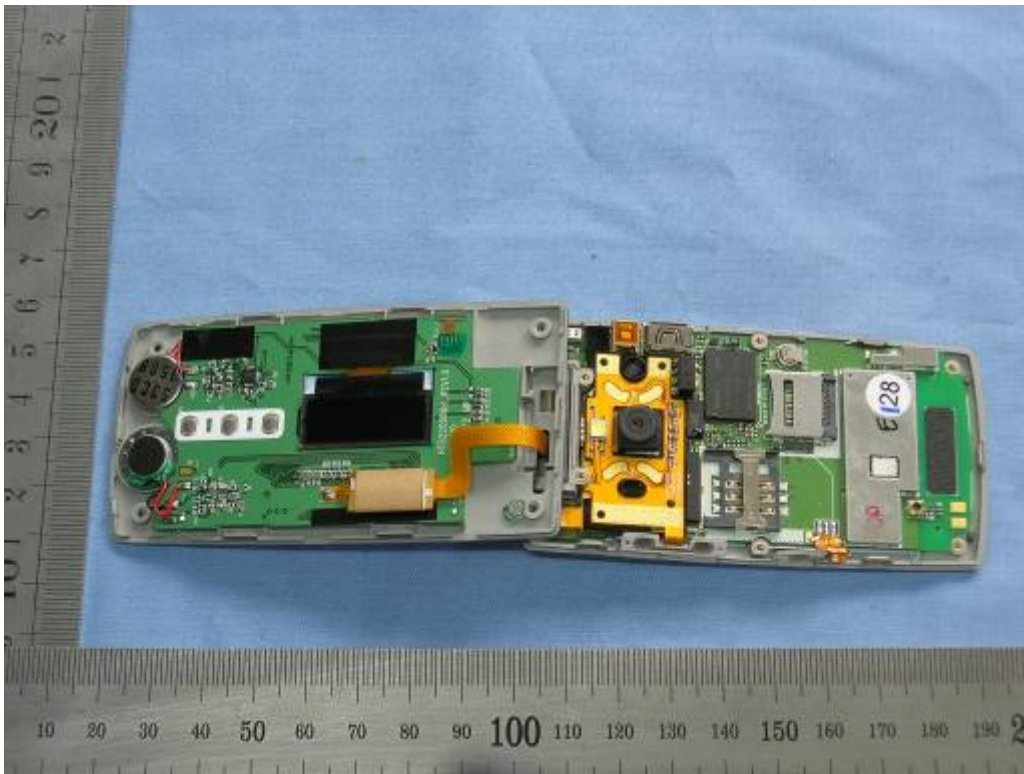
Picture 4 Mainboard face



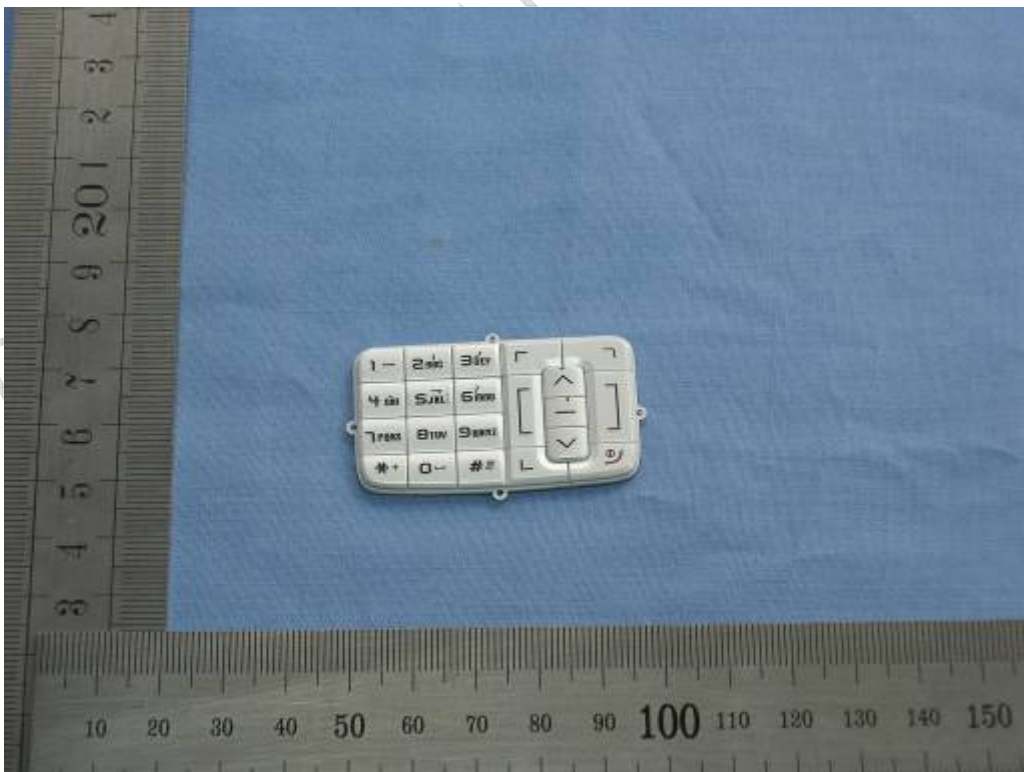
Picture 5 Mainboard (inverse)



Picture 6 Screen 1



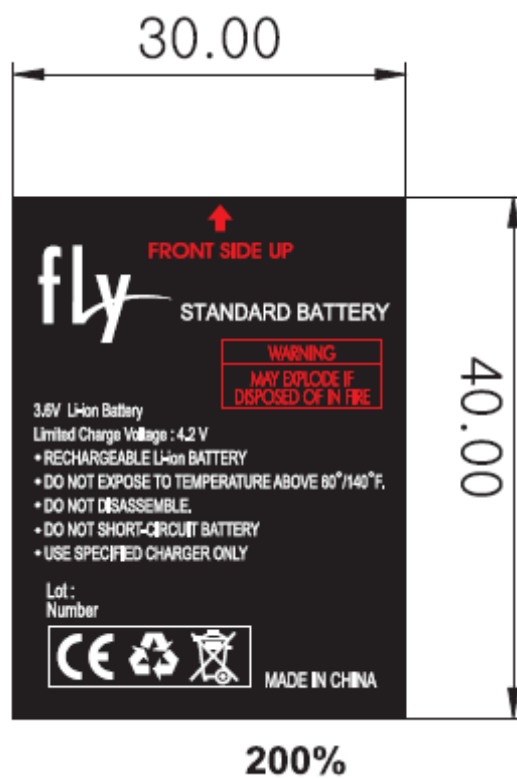
Picture 7 Screen and Mainboard



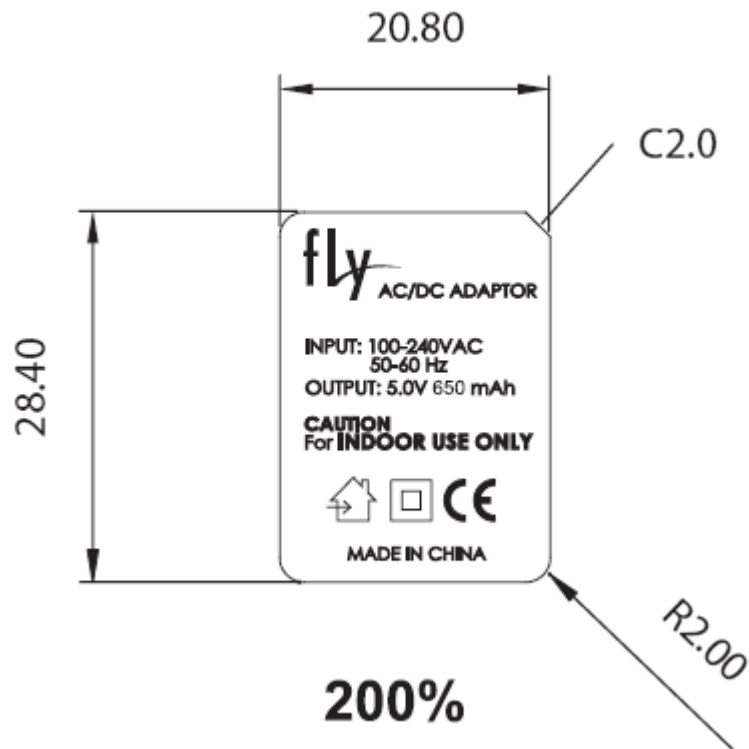
Picture 8 Keyboard



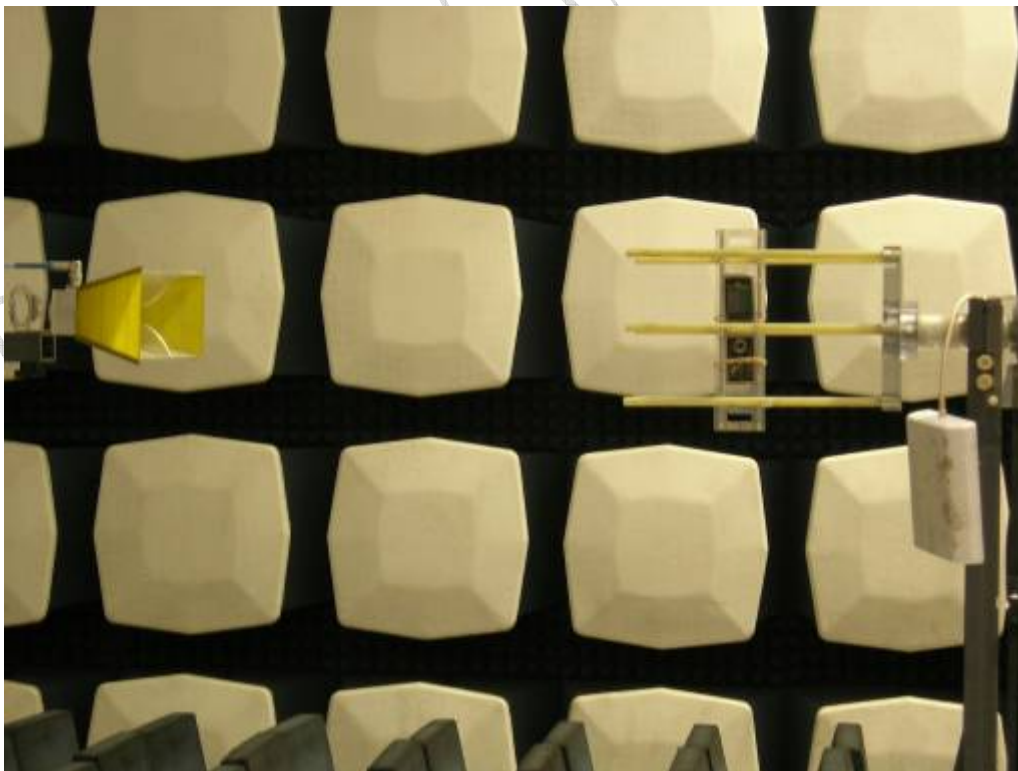
Picture 9 Adapter



Picture 10 Label of battery



Picture 11 Label of Adapter



Picture 12 Test setup for Radiated Spurious Emission and ERP

ANNEX B Deviations from Prescribed Test Methods

No deviation from Prescribed Test Methods.

————— **The End of this Report** —————

TTL Test Report