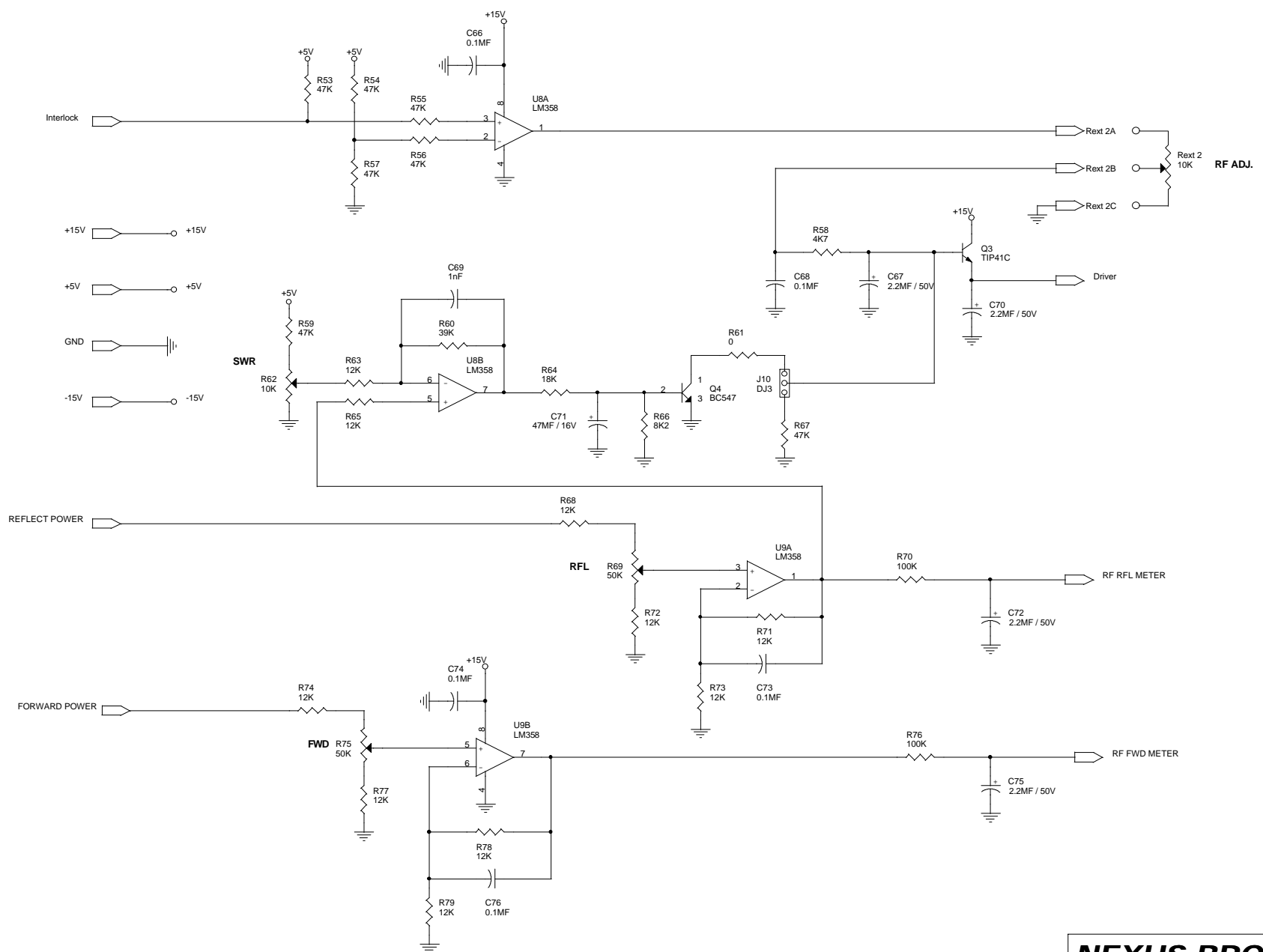
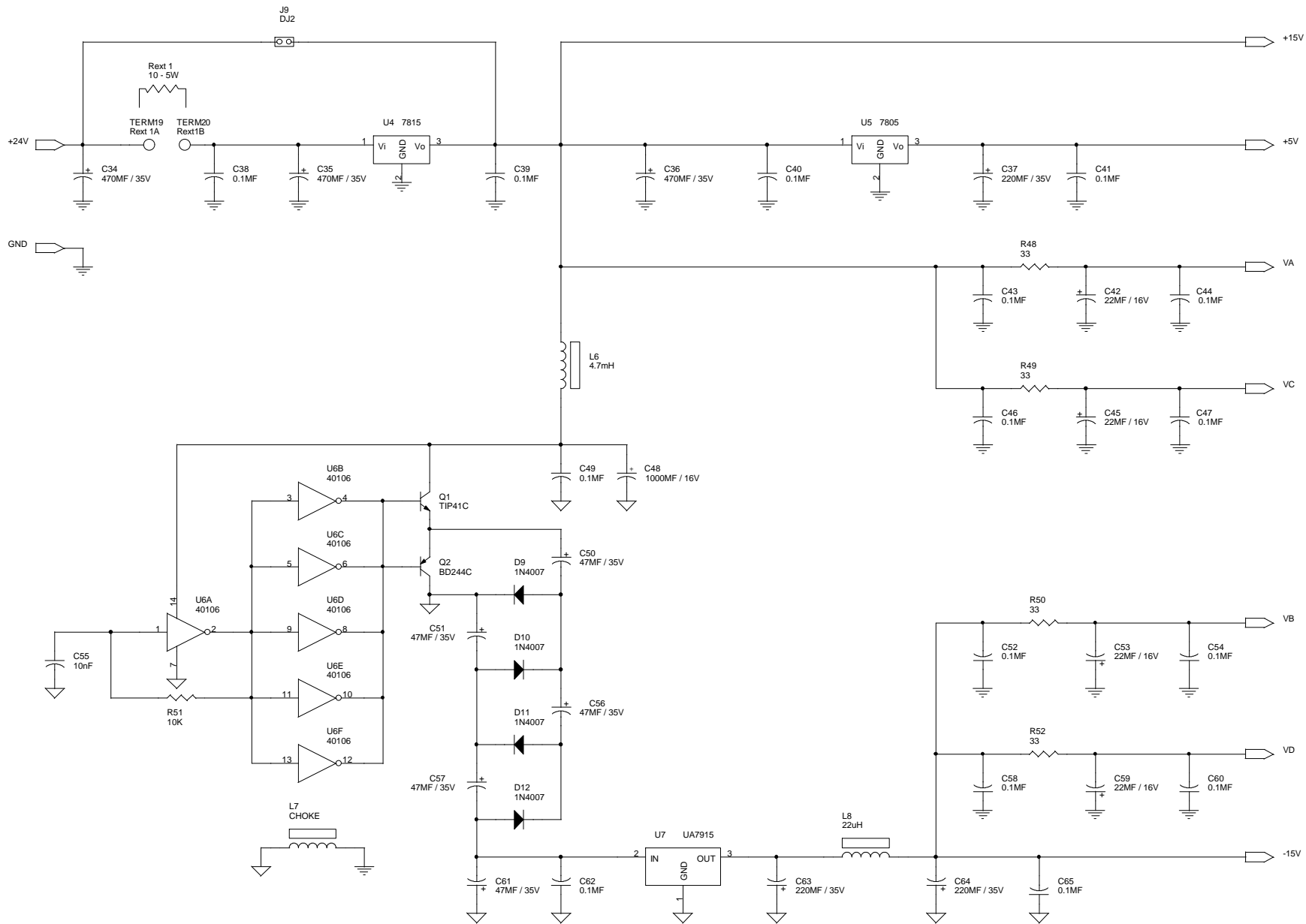


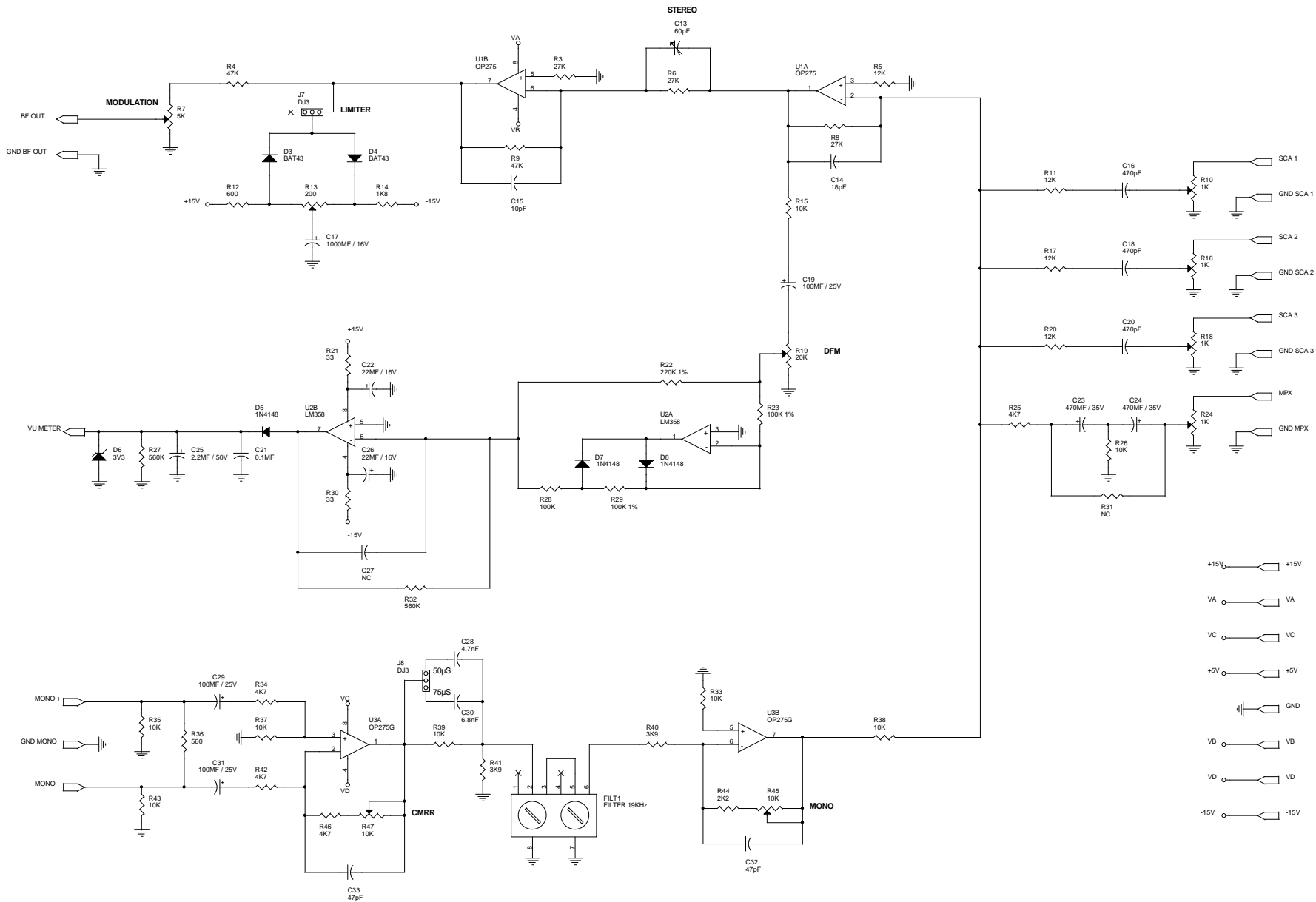
<b>NEXUS BROADCAST</b>		
Title TX LINK BOARD		
Size 03	Document Number Mod. TSG1A	Rev 1.0
Date: Thursday, December 18, 2003	Sheet 1	of 1

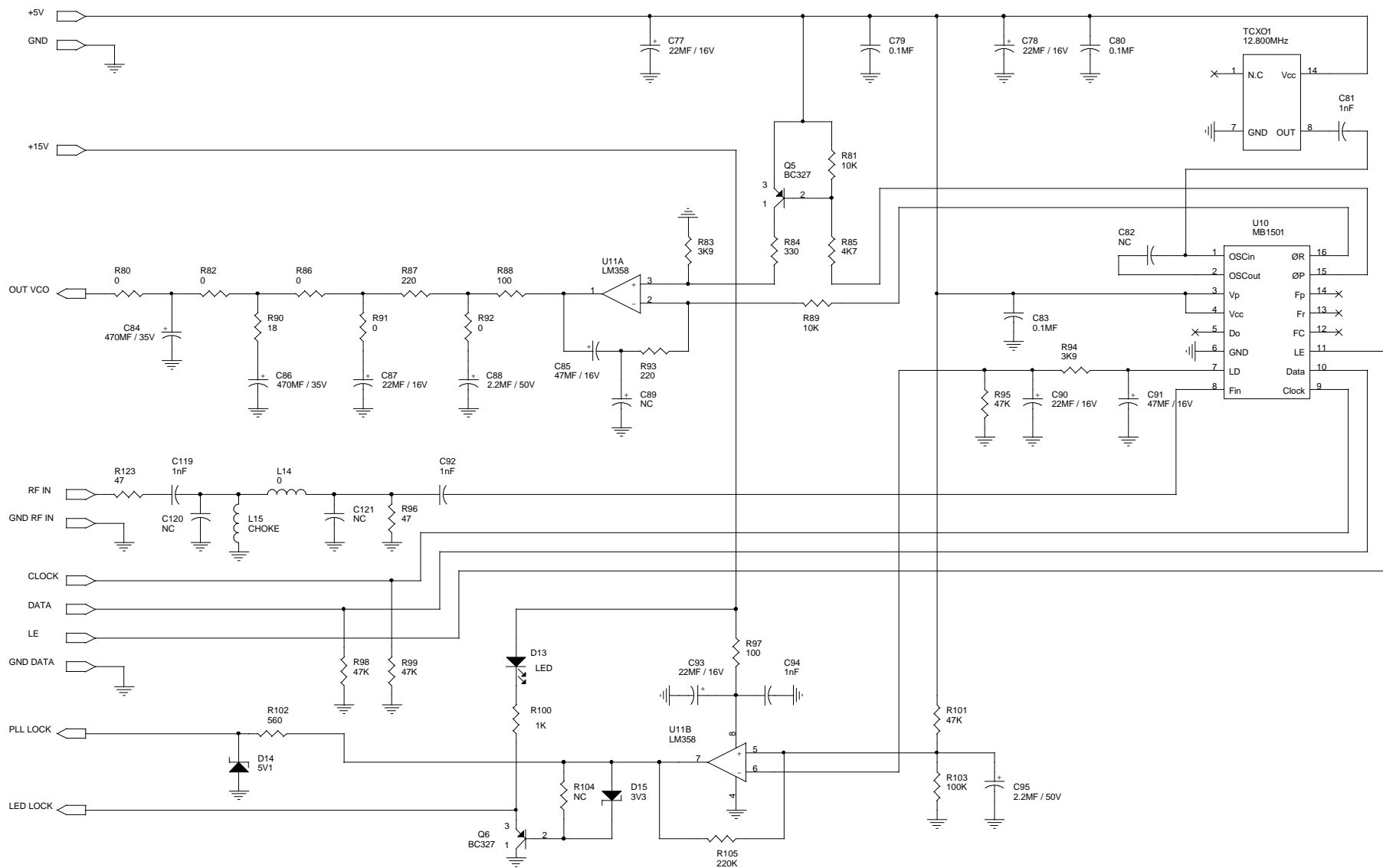


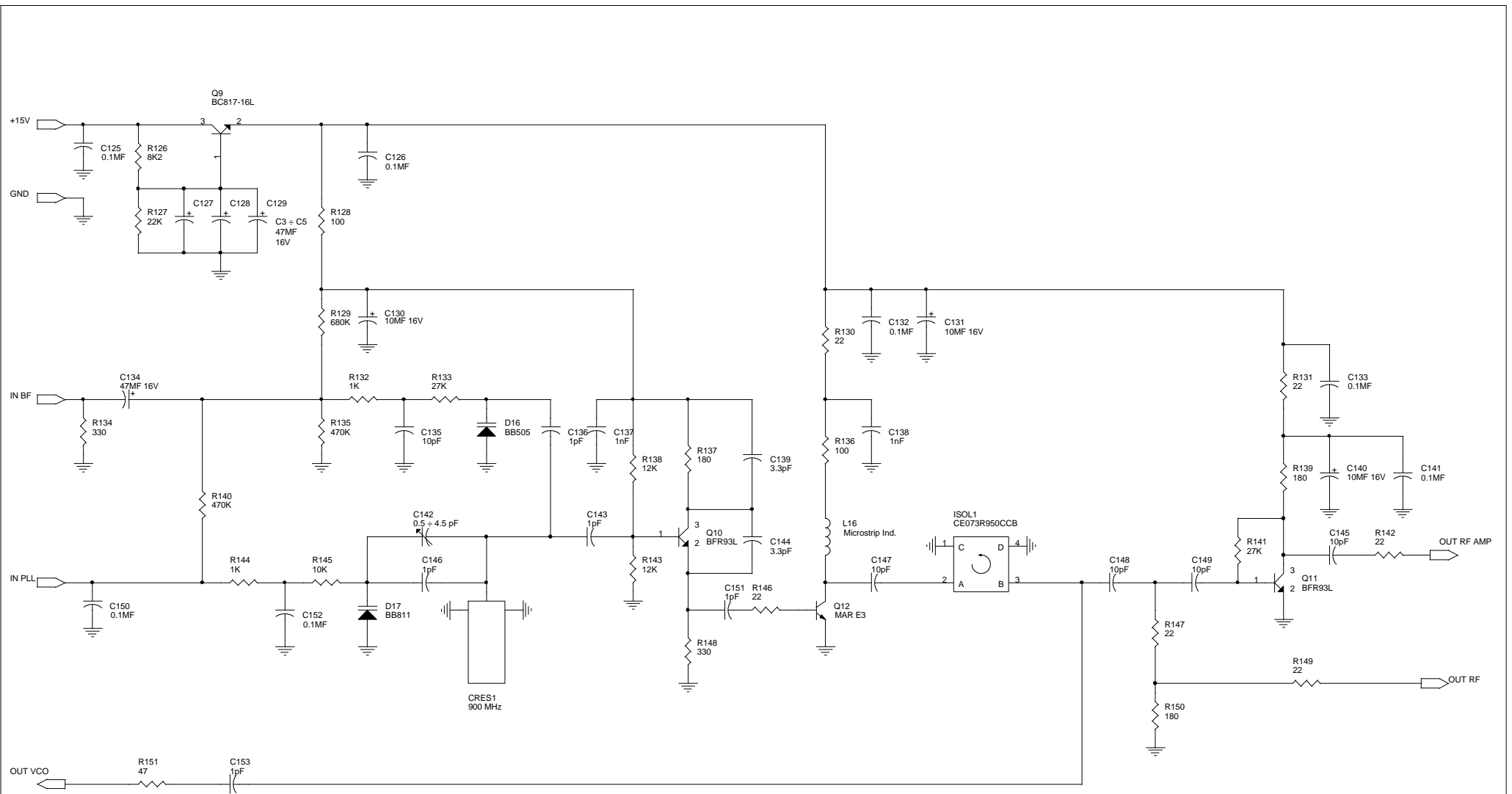
<b>NEXUS BROADCAST</b>		
Title Protection & Meter		
Size A3	Document Number Mod. PROT 1A	Rev 1.0
Date: Thursday, December 18, 2003	Sheet 1	of 1



<b>NEXUS BROADCAST</b>		
Title Power Supply		
Size A3	Document Number Mod. POWER S 1A	Rev 1.0
Date: Thursday, December 18, 2003	Sheet 1	of 1

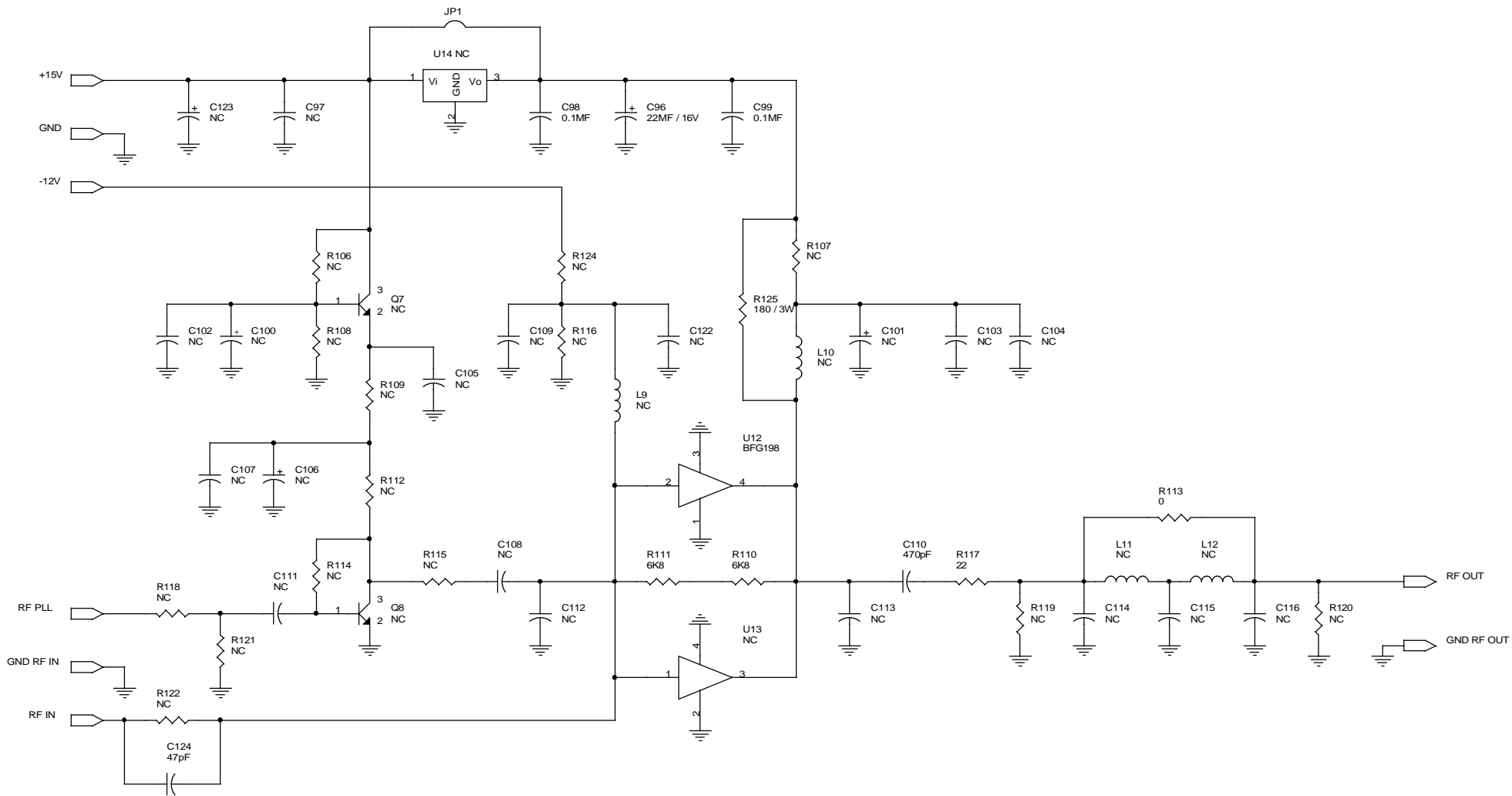






# NEXUS BROADCAST

Title		Voltage Control Oscillator 900 MHz	
Size	Document Number	Rev	
A3	VCO0999A	1.0	
Date:	Thursday, December 18, 2003	Sheet	1 of 7



<b>NEXUS BROADCAST</b>		
Title RF Driver		
Size B	Document Number Mod. DRIVER 1A	Rev 1.0
Date:	Thursday, December 18, 2003	Sheet 1 of 1