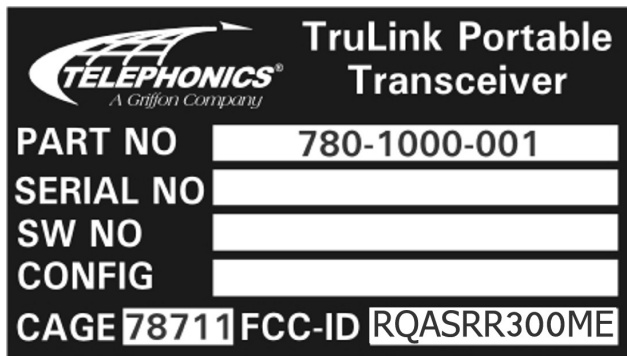


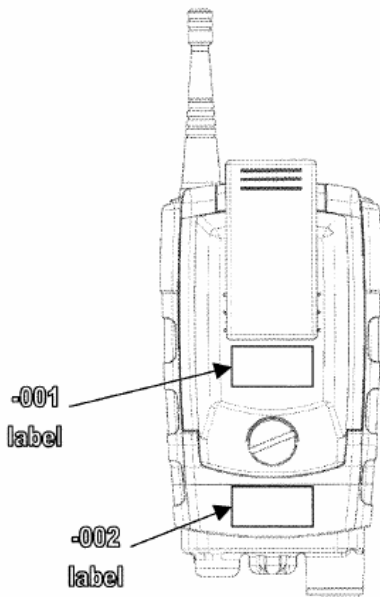
ID label for ME6820-M1:

1.43 inch



0.80 inch

Location info for ME6820-M1 (the -001 label):



The following text is stated in the Users Manual:

This device complies with part 15 of the FCC Rules. Operation is subject to the following two conditions: (1) This device may not cause harmful interference, and (2) this device must accept any interference received, including interference that may cause undesired operation.

There is only two suitable places for labels due to the curved case of the ME. These places are occupied by the label above ("-001 label") and the "-002 label".