

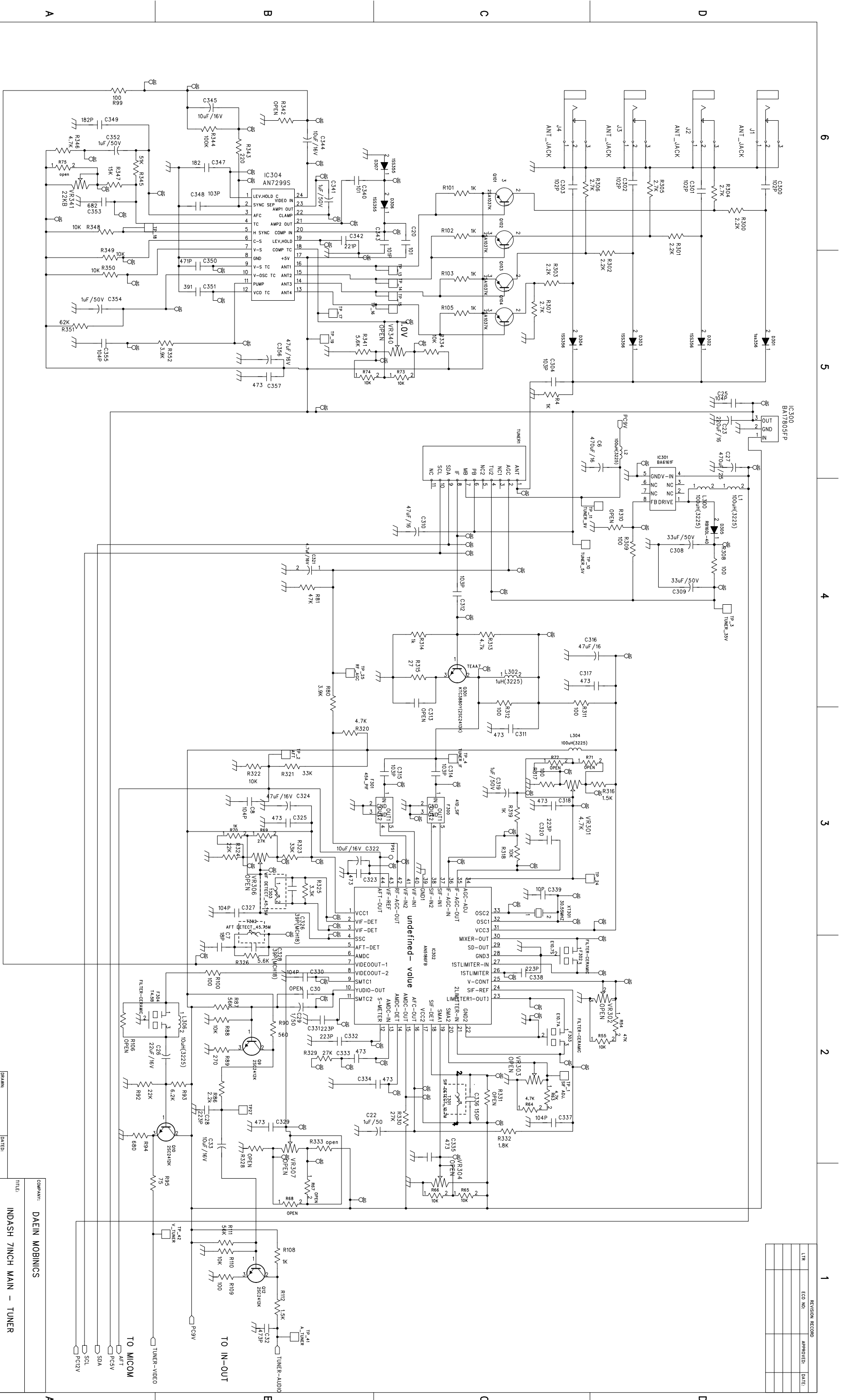


## ***Appendix 6. Schematics***

---

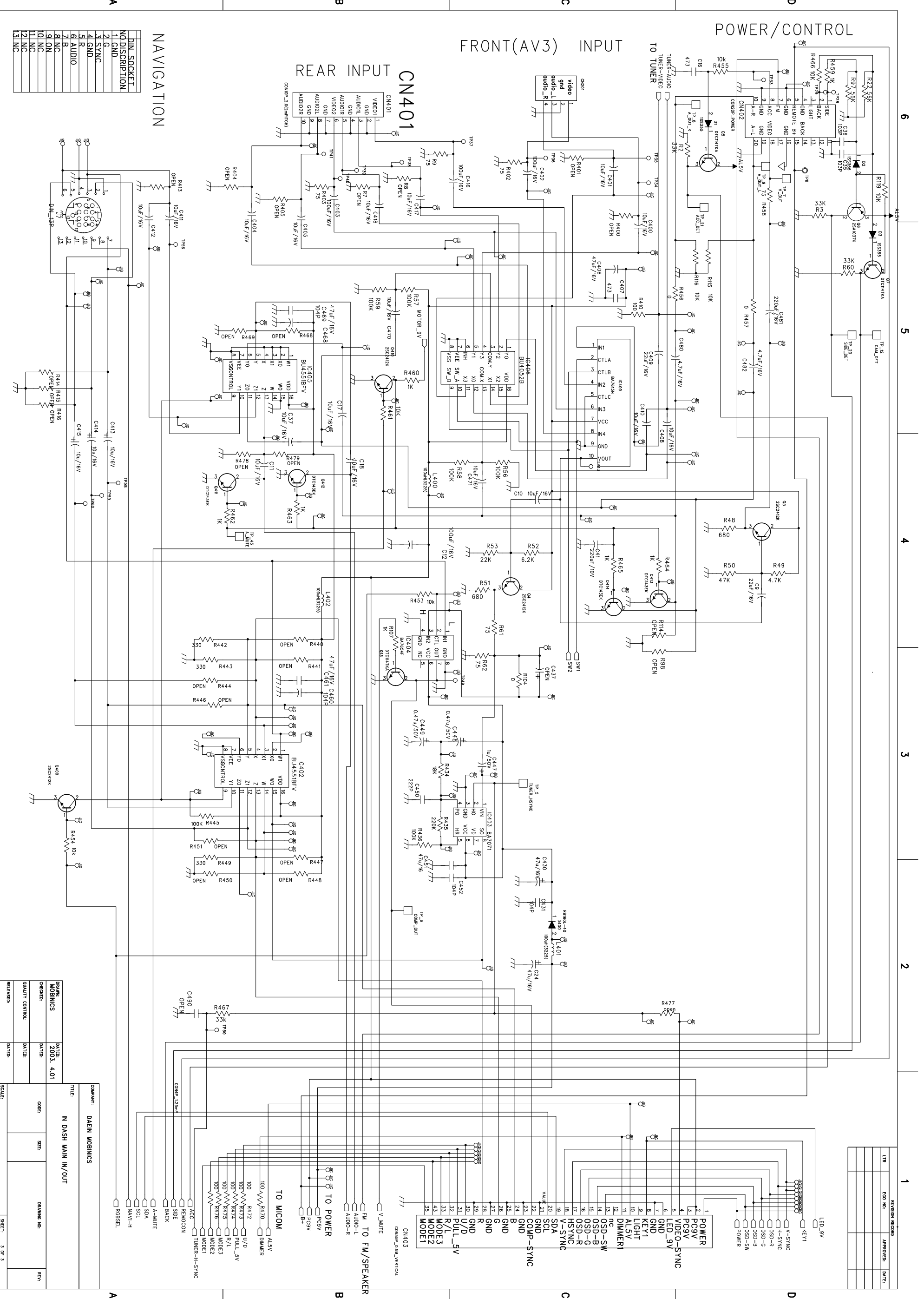
Refer to the following pages





REVISION RECORD			
LTN	ECO NO.	APPROVED:	DATE:

COMPANY:	DAEIN MOBINICS
TITLE:	INDASH 7INCH MAIN - TUNER
DRWNG:	MOBINICS
DATE:	2003.4.01
CHECKED:	
DATE:	
QUALITY CONTROL:	
DATE:	
RELEASED:	
DATE:	
SCALE:	2 OF 3



REVISION RECORD		
LT#	ECO NO.	APPROVED DATE

COMPANY:	DAEIN MOBINICS
TITLE:	IN DASH MAIN IN/OUT
DATE:	2003.4.01
DRW:	MOBINICS
CHECKER:	
DATE:	
QUALITY CONTROL:	
DATE:	
RELEASED:	
DATE:	
SCALE:	
SHEET:	3 OF 3

DIN SOCKET	
1	GND
2	G
3	SYNC
4	GND
5	R
6	AUDIO
7	B
8	NC
9	ON
10	NC
11	NC
12	NC
13	NC

NAVIGATION

REAR INPUT  
CN401

FRONT (AV3) INPUT

POWER/CONTROL

1  
2  
3  
4  
5  
6



1

2

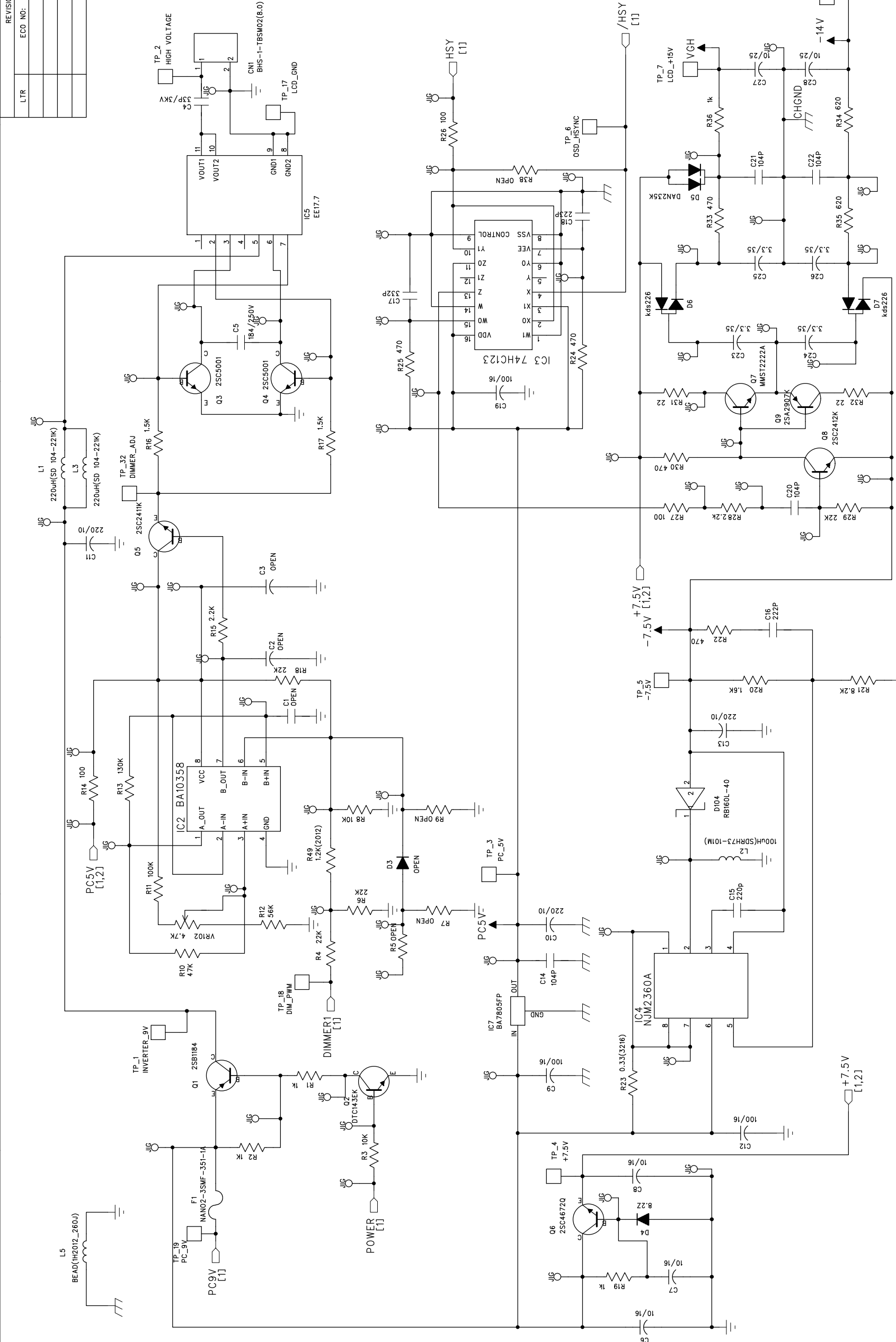
3

4

5

6

REVISION RECORD		
ECO NO:	APPROVED:	DATE:



COMPANY: DAEIN MOBOCOCS	
TITLE: INDASH 7INCH MONITOR-POWER	
DRAWN: mobinics	DATE: 2003.05.15
CHECKED:	DATE:
QUALITY CONTROL:	DATE:
RELEASED:	DATE:
	DRAWING NO:
	SIZE:
	CODE:
	REV: 5.0
	SCALE:
	SHEET: 2 OF 2

A

D

B

C

C

D