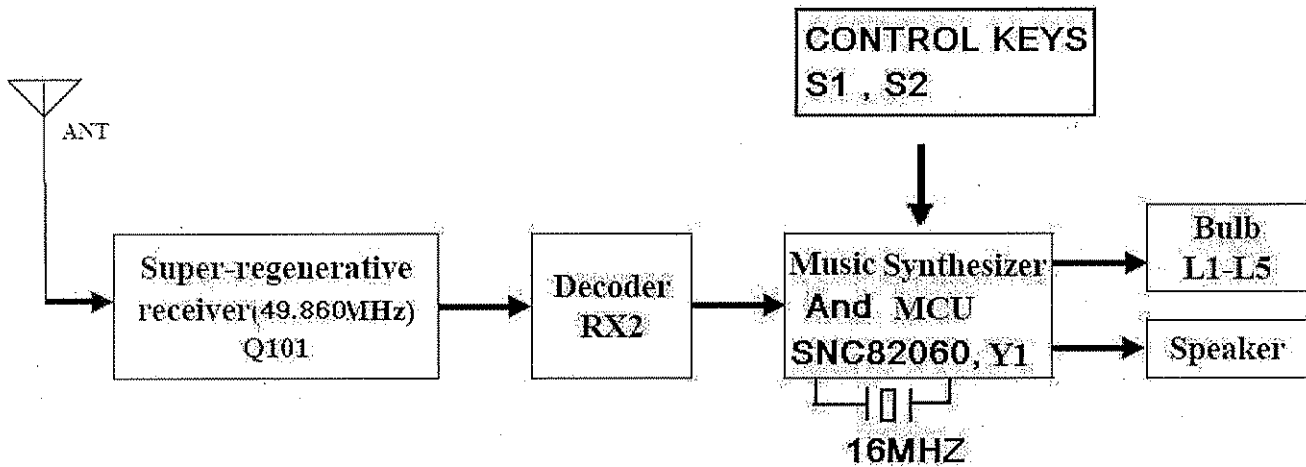


RECEIVER



COMPANY: PACIFIC INDUSTRIES LTD.

CUSTOMER: KIDS II

Product Name: Baby Einstein Move & Go Music Mirror

Product No.: 30877

DATE: 28/may/2007