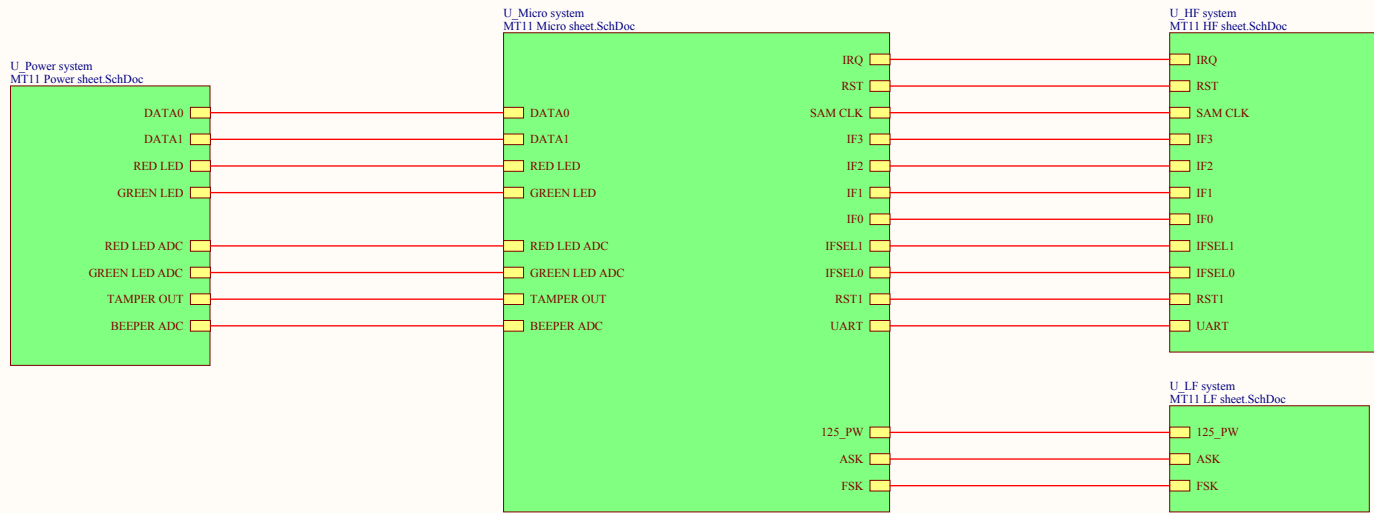
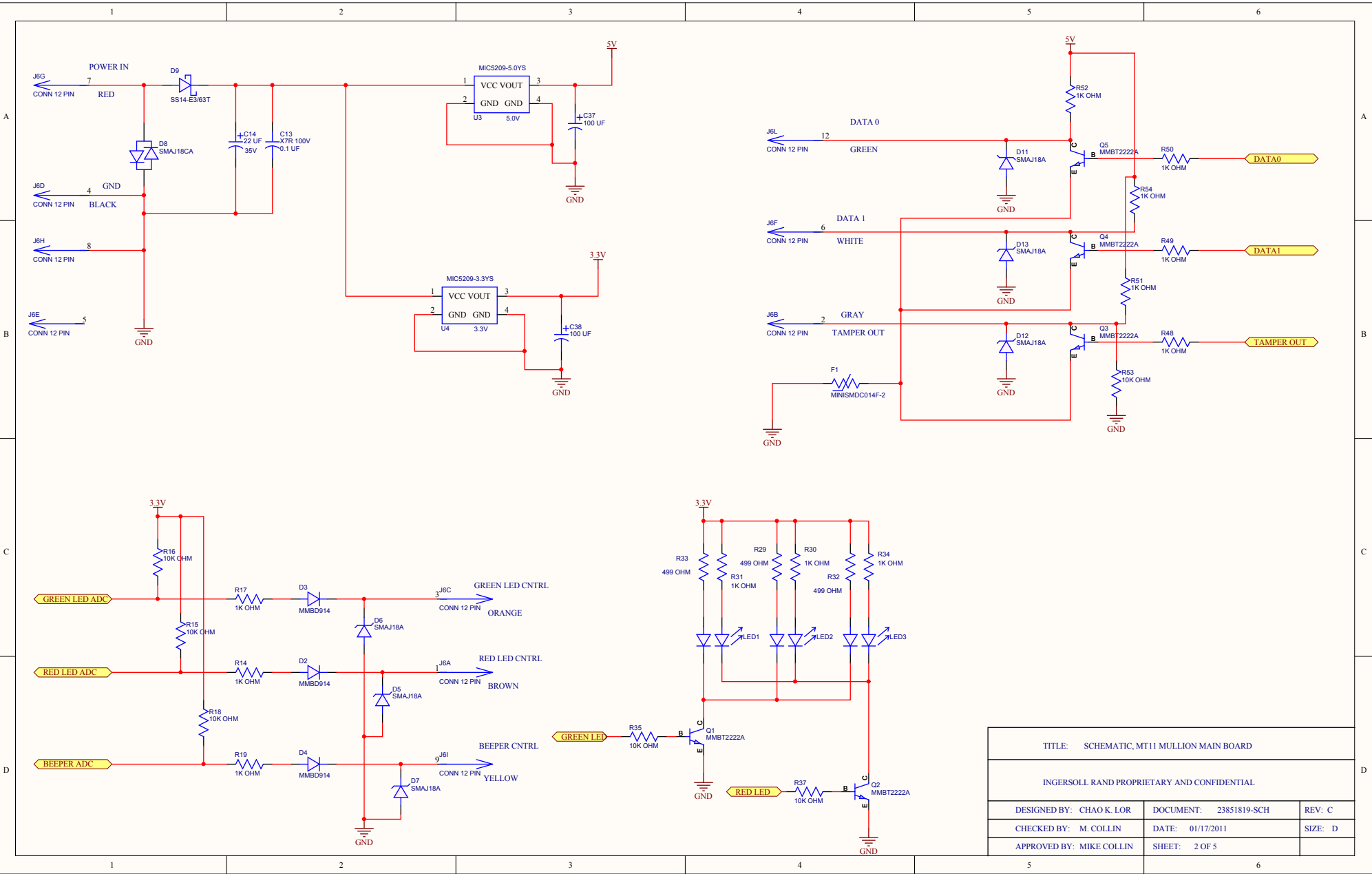


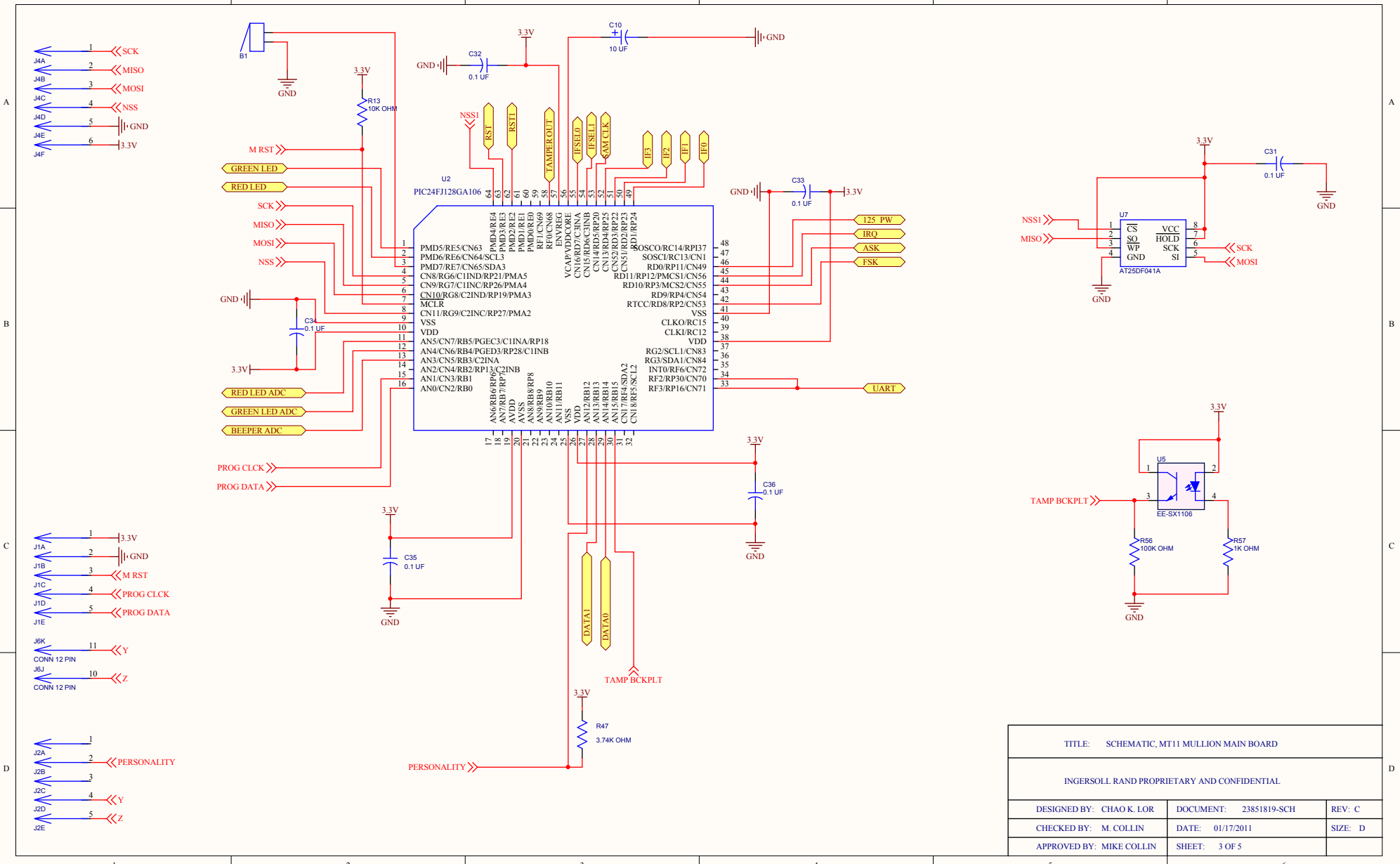
REVISION RECORD			
REV	APPROVED	DATE	COMMENT
01	M. COLLIN	01/17/11	ENG PROTO
02	T. EBERWINE	05/10/11	CHANGE BD OUTLINE
03	T. EBERWINE	06/21/11	GND CNTR PLT
04	T. EBERWINE	07/26/11	UPDATED REGULATOR
A	T. EBERWINE	10/05/11	PRODUCTION RELEASED
B	T. EBERWINE	01/04/12	FCC UPDATED
C	T. EBERWINE	02/16/12	UPDATED GCT CONN



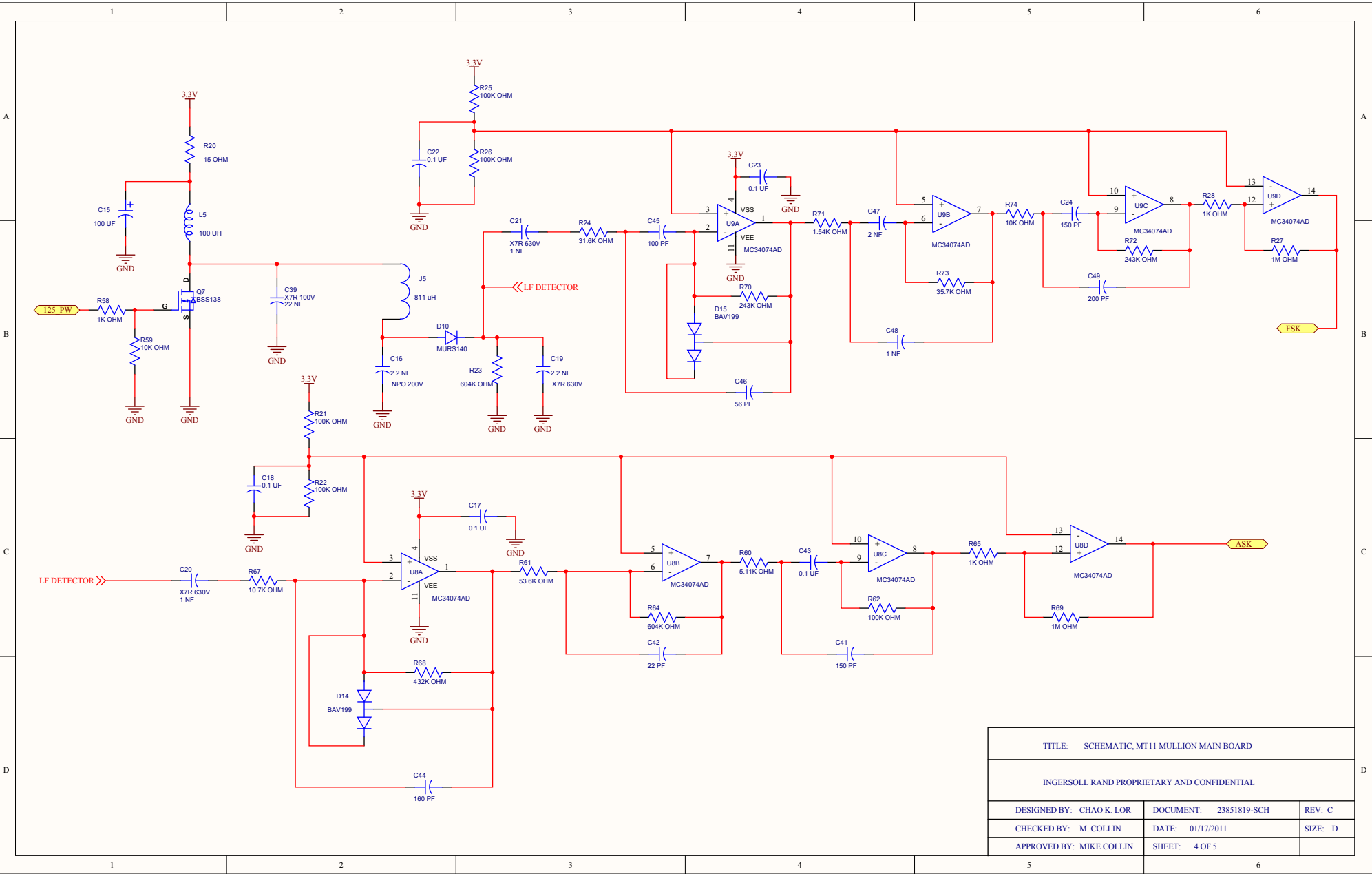
TITLE: SCHEMATIC, MT11 MULLION MAIN BOARD		
INGERSOLL RAND PROPRIETARY AND CONFIDENTIAL		
DESIGNED BY: CHAO K. LOR	DOCUMENT: 23851819-SCH	SCH REV: C
CHECKED BY: M. COLLIN	DATE: 01/17/2011	SIZE: D
APPROVED BY: MIKE COLLIN	SHEET: 1 OF 5	BD_REV: B



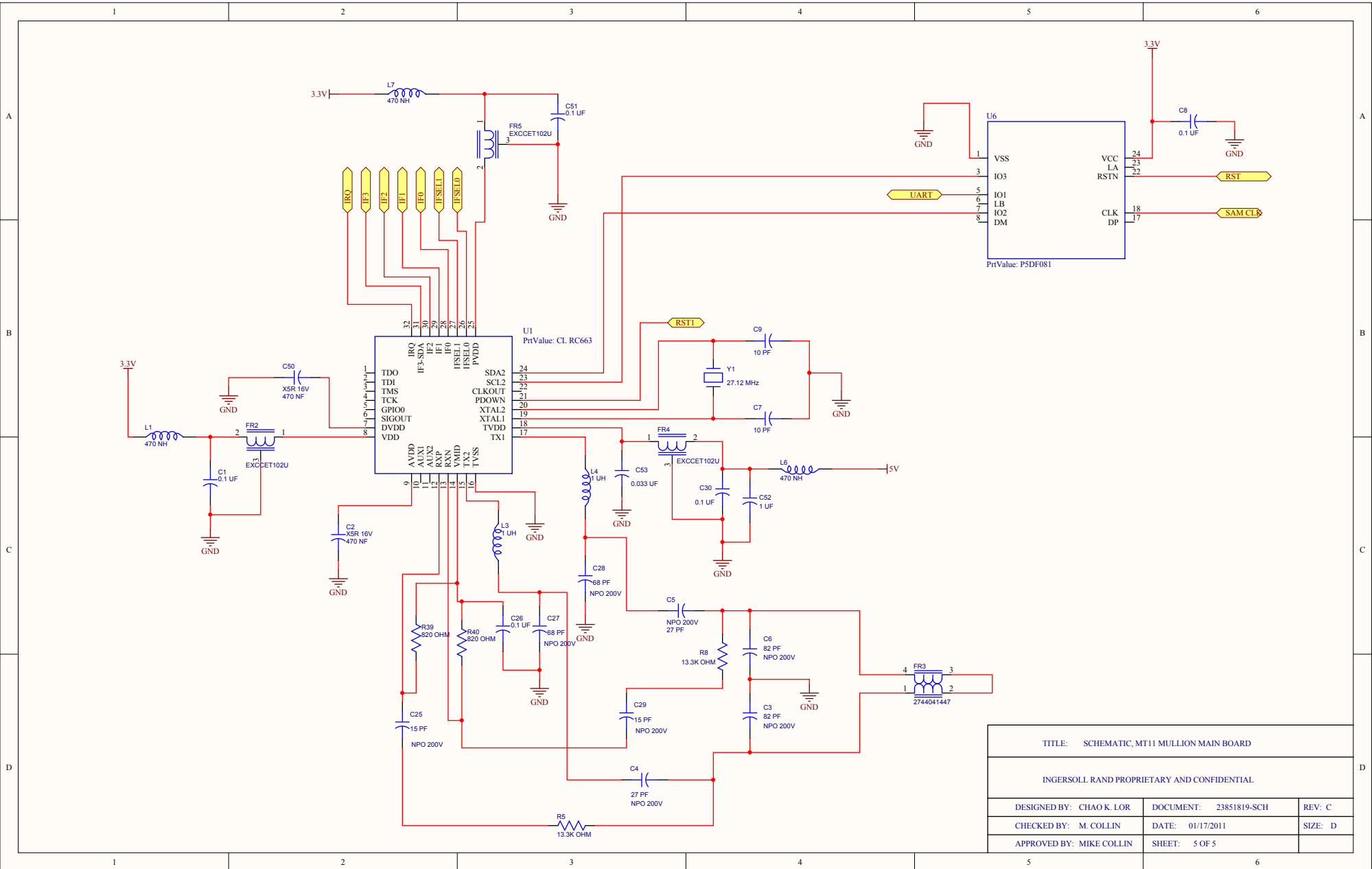
TITLE: SCHEMATIC, MT11 MULLION MAIN BOARD		
INGERSOLL RAND PROPRIETARY AND CONFIDENTIAL		
DESIGNED BY: CHAO K. LOR	DOCUMENT: 23851819-SCH	REV: C
CHECKED BY: M. COLLIN	DATE: 01/17/2011	SIZE: D
APPROVED BY: MIKE COLLIN	SHEET: 2 OF 5	



TITLE: SCHEMATIC, MT11 MULLION MAIN BOARD		
INGERSOLL RAND PROPRIETARY AND CONFIDENTIAL		
DESIGNED BY: CHAO K. LOR	DOCUMENT: 23851819-SCH	REV: C
CHECKED BY: M. COLLIN	DATE: 01/17/2011	SIZE: D
APPROVED BY: MIKE COLLIN	SHEET: 3 OF 5	



TITLE: SCHEMATIC, MT11 MULLION MAIN BOARD		
INGERSOLL RAND PROPRIETARY AND CONFIDENTIAL		
DESIGNED BY: CHAO K. LOR	DOCUMENT: 23851819-SCH	REV: C
CHECKED BY: M. COLLIN	DATE: 01/17/2011	SIZE: D
APPROVED BY: MIKE COLLIN	SHEET: 4 OF 5	



TITLE: SCHEMATIC, MT11 MULLION MAIN BOARD		
INGERSOLL RAND PROPRIETARY AND CONFIDENTIAL		
DESIGNED BY: CHAO K. LOR	DOCUMENT: 23851819-SCH	REV: C
CHECKED BY: M. COLLIN	DATE: 01/17/2011	SIZE: D
APPROVED BY: MIKE COLLIN	SHEET: 5 OF 5	