

RF Test Report

Applicant : Getac Technology Corporation
Product Type : Digitizer module
Trade Name : EMRight
Model Number : GET-101
Test Specification : FCC 47 CFR PART 15 SUBPART C
ANSI C63.10:2013
Receive Date : Mar. 08, 2019
Test Period : Mar. 26 ~ Mar. 27, 2019
Issue Date : May 03, 2019

Issue by

A Test Lab Techno Corp.
No. 140-1, Changan Street, Bade District,
Taoyuan City 33465, Taiwan (R.O.C.)
Tel : +886-3-2710188 / Fax : +886-3-2710190



Taiwan Accreditation Foundation accreditation number: 1330
Test Firm MRA designation number: TW0010

Note: This report shall not be reproduced except in full, without the written approval of A Test Lab Techno Corp. This document may be altered or revised by A Test Lab Techno Corp. personnel only, and shall be noted in the revision section of the document. The client should not use it to claim product endorsement by TAF, or any government agencies. The test results in the report only apply to the tested sample.



Revision History

Rev.	Issue Date	Revisions	Revised By
00	Apr. 11, 2019	Initial Issue	Nina Lin
01	May 03, 2019	Page 22 & 25 Radiated Emission Added Test Photographs	Nina Lin

Verification of Compliance

Issued Date: May 03, 2019

Applicant : Getac Technology Corporation
Product Type : Digitizer module
Trade Name : EMRight
Model Number : GET-101
FCC ID : QYLGET101U
EUT Rated Voltage : DC 3.7 V
Test Voltage : 120 Vac / 60 Hz
Applicable Standard : FCC 47 CFR PART 15 SUBPART C
ANSI C63.10:2013
Test Result : Complied

Performing Lab. : A Test Lab Techno Corp.
No. 140-1, Changan Street, Bade District,
Taoyuan City 33465, Taiwan (R.O.C.)
Tel : +886-3-2710188 / Fax : +886-3-2710190
Taiwan Accreditation Foundation accreditation number: 1330
<http://www.atl-lab.com.tw/e-index.htm>



A Test Lab Techno Corp. tested the above equipment in accordance with the requirements set forth in the above standards. All indications of Pass/Fail in this report are opinions expressed by A Test Lab Techno Corp. based on interpretations and/or observations of test results. The test results show that the equipment tested is capable of demonstrating compliance with the requirements as documented in this report.

Approved By : Fly Lu Reviewed By : Eric Ou Yang
(Manager) (Fly Lu) (Testing Engineer) (Eric Ou Yang)

TABLE OF CONTENTS

1	General Information	5
1.1.	Summary of Test Result.....	5
1.2.	Measurement Uncertainty.....	5
2	EUT Description	6
3	Test Methodology	7
3.1.	Mode of Operation.....	7
3.2.	EUT Test Step.....	7
3.3.	Configuration of Test System Details.....	8
3.4.	Test Instruments.....	10
3.5.	Test Site Environment.....	10
4	Measurement Procedure	11
4.1.	AC Power Line Conducted Emission Measurement.....	11
4.2.	Radiated Emission Measurement.....	13
4.3.	20 dB Bandwidth.....	18
4.4.	Antenna Requirement.....	19
5	Test Results	20
	Annex A. Conducted Emission.....	20
	Annex B. 20 dB Bandwidth.....	22
	Annex C. Radiated Emission Measurement.....	23



1 General Information

1.1. Summary of Test Result

Standard	Item	Result	Remark
15.207(a)	Conducted Emissions Voltage	PASS	---
15.209	Radiated Emission Limits	PASS	---
15.215 (c)	20 dB Bandwidth	PASS	---
15.203	Antenna Requirement	PASS	---

The test results of this report relate only to the tested sample(s) identified in this report.

Standard	Description
CFR47, Part 15, Subpart C	Intentional Radiators
ANSI C63. 10: 2013	American National Standard of Procedures for Compliance Testing of Unlicensed Wireless Devices

1.2. Measurement Uncertainty

Test Item	Frequency Range	Uncertainty
Conducted Emission	9 kHz ~ 150 kHz	2.7
	150 kHz ~ 30 MHz	2.7
Radiated Emission	9 kHz ~ 30 MHz	1.7
	30 MHz ~ 1000 MHz	5.7
	1000 MHz ~ 18000 MHz	5.5
	18000 MHz ~ 26500 MHz	4.8
	26500 MHz ~ 40000 MHz	4.8
RF Bandwidth		4.96 %



2 EUT Description

Applicant	Getac Technology Corporation 5F.,Building A,No.209,Sec.1 Nangang.,Rd., Taipei City, 11568, Taiwan
Manufacturer	EMRight 5F-11, No.18, Tai Yuen St., Jubei City, Hsinchu County 30265, Taiwan, R.O.C.
Product	Digitizer module
Trade Name	EMRight
Model Number	GET-101
FCC ID	QYLGET101U
Frequency Range	510.6 kHz
Modulation Type	PDM
Number of Channels	1 Channel
Antenna Type	Loop Antenna
Operate Temp. Range	-10 ~ +70 °C

3 Test Methodology

3.1. Mode of Operation

The following test mode(s) were scanned during the preliminary test :

Pre-Test Mode
Mode 1: Transmit Mode

ATL has verified the construction and function in typical operation. All the test modes were carried out with the EUT in normal operation.

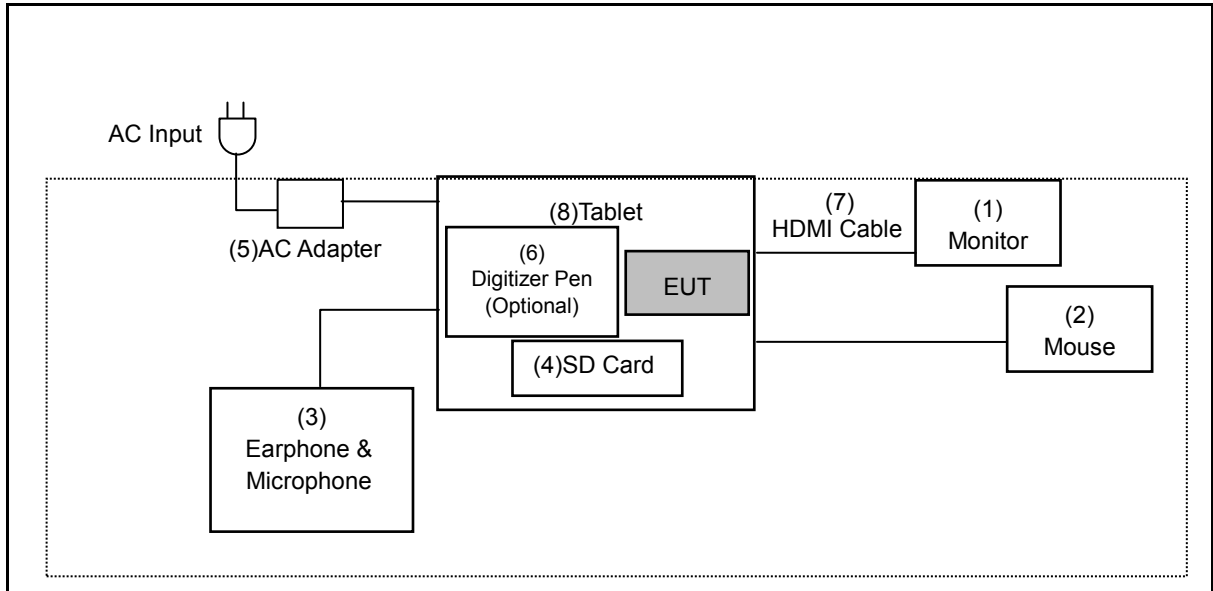
3.2. EUT Test Step

1.	Setup the EUT shown on "Configuration of Test System Details".
2.	Turn on the power of all equipment.
3.	The EUT will start to operate function.

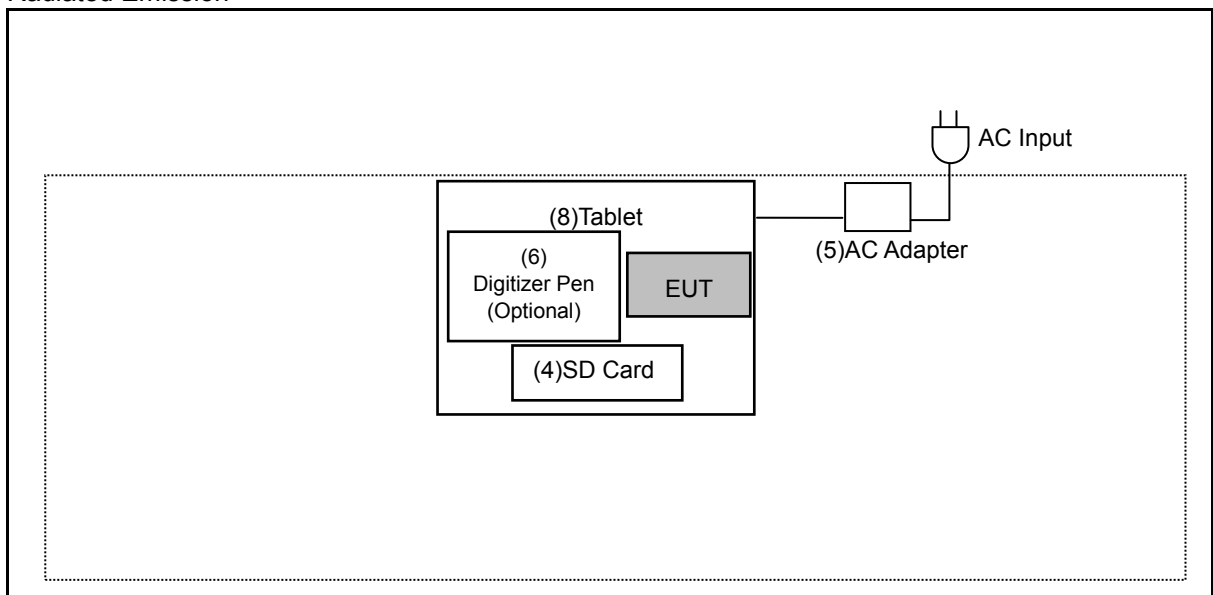
Measurement Software			
No.	Description	Software	Version
1	Conducted Emission	EZ EMC	1.1.4.3
2	Radiated Emission	EZ EMC	1.1.4.4

3.3. Configuration of Test System Details

Conducted Emission



Radiated Emission





Devices Description					
Product		Manufacturer	Model Number	Serial Number	Power Cord
(1)	Monitor	DELL	P2415Qb	CN-0D3C8Y-74261-5 23-0HUL	---
(2)	Mouse	Logitech	M-UAG96B	---	---
(3)	Earphone & Microphone	HTC	---	---	---
(4)	SD Card	Transcend	---	---	---
(5)	AC adapter	FSP	FSP065-RBBN3	---	---
(6)	Digitizer Pen (Optional)	EMRight	GET-101	---	---
(7)	HDMI Cable	Avier	K48GHS	---	
(8)	Tablet	Getac	UX10	---	



3.4. Test Instruments

For Conducted Emission

Test Period: Mar. 27, 2019

Equipment	Manufacturer	Model Number	Serial Number	Cal. Date	Cal. Period
Test Receiver	R&S	ESCI	100367	05/21/2018	1 year
LISN	R&S	ENV216	101040	04/11/2018	1 year
RF Cable	Woken	00100D1380194M	TE-02-03	05/17/2018	1 year
Test Site	ATL	TE02	TE02	N.C.R.	-----

For Radiated Emissions / Conducted

Test Period: Mar. 26, 2019

Equipment	Manufacturer	Model Number	Serial Number	Cal. Date	Cal. Period
Spectrum Analyzer (10 Hz~44 GHz)	Keysight	N9010A	MY52221312	01/14/2019	1 year
Pre Amplifier (100 kHz~1.3 GHz)	Agilent	8447D	2944A11119	01/14/2019	1 year
Broadband Antenna	Schwarzbeck	VULB9168	416	10/19/2018	1 year
Loop Antenna	Electro-Metrics	EMCI-LPA600	277	04/19/2018	1 year
RF Cable	EMCI	EMC104-N-N-6000	TE01-1	02/20/2019	1 year
Microwave Cable	EMCI	EMC104-SM-SM-1 3000	170814	10/30/2018	1 year
Microwave Cable	EMCI	EMC102-KM-KM-1 4000	151001	02/20/2019	1 year

Note: N.C.R. = No Calibration Request.

3.5. Test Site Environment

Items	Required (IEC 60068-1)	Actual
Temperature (°C)	15-35	26
Humidity (%RH)	25-75	60
Barometric pressure (mbar)	860-1060	990

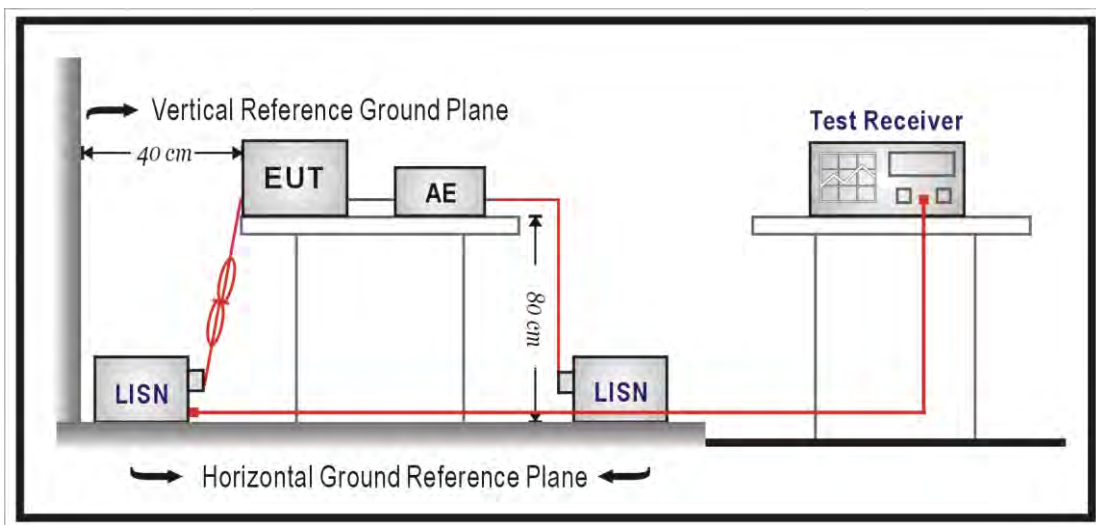
4 Measurement Procedure

4.1. AC Power Line Conducted Emission Measurement

■ Limit

Frequency (MHz)	Quasi-peak	Average
0.15 - 0.5	66 to 56	56 to 46
0.50 - 5.0	56	46
5.0 - 30.0	60	50

■ Test Setup



■ Test Procedure

The EUT and simulators are connected to the main power through a line impedance stabilization network (L.I.S.N.). This provides a $50 \Omega // 50 \mu\text{H}$ coupling impedance for the measuring equipment. The peripheral devices are also connected to the main power through a LISN that provides a $50 \Omega // 50 \mu\text{H}$ coupling impedance with 50 ohm termination.

Tabletop device shall be placed on a non-conducting platform, of nominal size 1 m by 1.5 m, raised 80 cm above the reference ground plane. The wall of screened room shall be located 40 cm to the rear of the EUT. Other surfaces of tabletop or floor standing EUT shall be at least 80 cm from any other ground conducting surface including one or more LISNs. For floor-standing device shall be placed under the EUT with a 12 mm insulating material.

Conducted emissions were investigated over the frequency range from 0.15 MHz to 30 MHz using a resolution bandwidth of 9 kHz. The equipment under test (EUT) shall be meet the limits in section 4.1, as applicable, including the average limit and the quasi-peak limit when using respectively, an average detector and quasi-peak detector measured in accordance with the methods described of related standard. When all of peak value were complied with quasi-peak and average limit from 150 kHz to 30 MHz then quasi-peak and average measurement was unnecessary.

The AMN shall be placed 0.8 m from the boundary of the unit under test and bonded to a ground reference plane for AMNs mounted on top of the ground reference plane. This distance is between the closest points of the AMN and the EUT. All other units of the EUT and associated equipment shall be at least 0.8 m from the AMN. If the mains power cable is longer than 1 m then the cable shall be folded back and forth at the centre of the lead to form a bundle no longer than 0.4 m. All of interconnecting cables that hang closer than 40 cm to the ground plane shall be folded back and forth in the center forming a bundle 30 cm to 40 cm long. All of EUT and AE shall be separate place more than 0.1 m. All 50Ω ports of the LISN shall be resistively terminated into 50Ω loads when not connected to the measuring instrument.

If the reading of the measuring receiver shows fluctuations close to the limit, the reading shall be observed for at least 15 s at each measurement frequency; the higher reading shall be recorded with the exception of any brief isolated high reading which shall be ignored.

4.2. Radiated Emission Measurement

■ Limit

- (a) Except as provided elsewhere in this subpart, the emissions from an intentional radiator shall not exceed the field strength levels specified in the following table:
- (b) In the emission table above, the tighter limit applies at the band edges.
- (c) The level of any unwanted emissions from an intentional radiator operating under these general provisions shall not exceed the level of the fundamental emission. For intentional radiators which operate under the provisions of other sections within this part and which are required to reduce their unwanted emissions to the limits specified in this table, the limits in this table are based on the frequency of the unwanted emission and not the fundamental frequency. However, the level of any unwanted emissions shall not exceed the level of the fundamental frequency.
- (d) The emission limits shown in the above table are based on measurements employing a CISPR quasi-peak detector except for the frequency bands 9-90 kHz, 110-490 kHz and above 1000 MHz. Radiated emission limits in these three bands are based on measurements employing an average detector.
- (e) The provisions in §§15.31, 15.33, and 15.35 for measuring emissions at distances other than the distances specified in the above table, determining the frequency range over which radiated emissions are to be measured, and limiting peak emissions apply to all devices operated under this part.
- (f) In accordance with §15.33(a), in some cases the emissions from an intentional radiator must be measured to beyond the tenth harmonic of the highest fundamental frequency designed to be emitted by the intentional radiator because of the incorporation of a digital device. If measurements above the tenth harmonic are so required, the radiated emissions above the tenth harmonic shall comply with the general radiated emission limits applicable to the incorporated digital device, as shown in §15.109 and as based on the frequency of the emission being measured, or, except for emissions contained in the restricted frequency bands shown in §15.205, the limit on spurious emissions specified for the intentional radiator, whichever is the higher limit. Emissions which must be measured above the tenth harmonic of the highest fundamental frequency designed to be emitted by the intentional radiator and which fall within the restricted bands shall comply with the general radiated emission limits in §15.109 that are applicable to the incorporated digital device.
- (g) Perimeter protection systems may operate in the 54-72 MHz and 76-88 MHz bands under the provisions of this section. The use of such perimeter protection systems is limited to industrial, business and commercial applications.

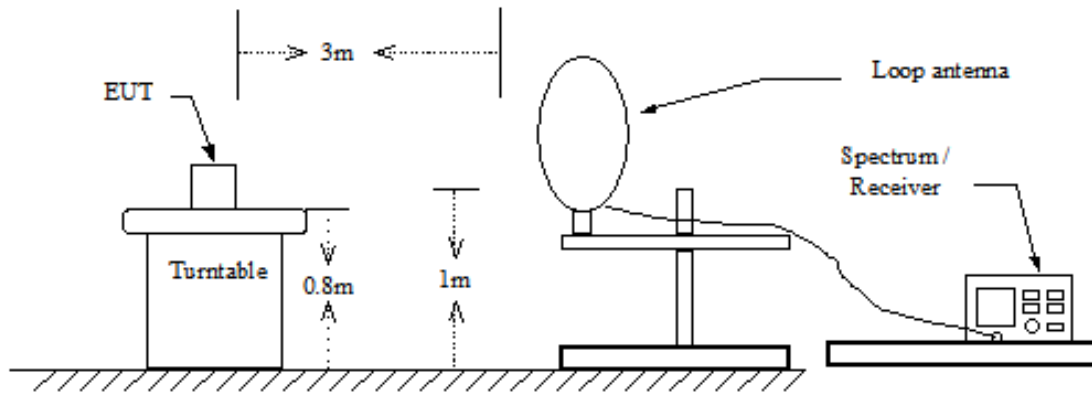


Frequency (MHz)	Field Strength (μV/m at meter)	Measurement Distance (meter)
0.009 – 0.490	2400 / F (kHz)	300
0.490 – 1.705	24000 / F (kHz)	30
1.705 – 30.0	30	30
30 - 88	100**	3
88-216	150**	3
216-960	200**	3
Above 960	500	3

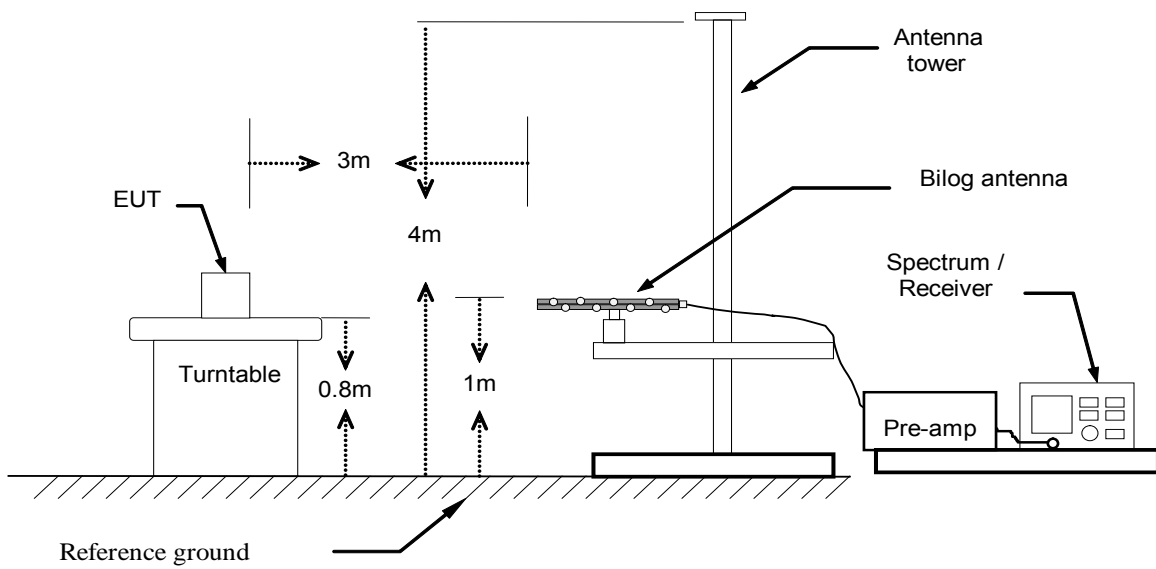
** Except as provided in paragraph (g), fundamental emissions from intentional radiators operating under this Section shall not be located in the frequency bands 54-72 MHz, 76-88 MHz, 174-216 MHz or 470-806 MHz. However, operation within these frequency bands is permitted under other sections of this Part, e.g., Sections 15.231 and 15.241.

■ Setup

9 kHz ~ 30 MHz



30 MHz ~ 1 GHz



■ Test Procedure

Final radiation measurements were made on a three-meter Semi Anechoic Chamber. The EUT system was placed on a nonconductive turntable which is 0.8 meters height, top surface 1.0 x 1.5 meter. The spectrum was examined from 3 Hz to 44 GHz in order to cover the whole spectrum below 10th harmonic which could generate from the EUT. During the test, EUT was set to transmit continuously.

For measurements below 1 GHz the resolution bandwidth is set to 100 kHz for peak detection measurements or 120 kHz for quasi-peak detection measurements. Peak detection is used unless otherwise noted as quasi-peak.

For measurements above 1 GHz the resolution bandwidth is set to 1 MHz, and then the video bandwidth is set to 3 MHz for peak measurements and 10 Hz for average measurements.

A nonconductive material surrounded the EUT to supporting the EUT for standing on three orthogonal planes. At each condition, the EUT was rotated 360 degrees, and the antenna was raised and lowered from one to four meters to find the maximum emission levels. Measurements were taken using both horizontal and vertical antenna polarization.

Broadband/Horn Antenna were used in frequency 30 MHz to 18 GHz at a distance of 3 meter. Loop/Horn Antenna was used in frequency 9 kHz to 30 MHz and 18 to 26.5 GHz at a distance of 1 meter. All test results were extrapolated to equivalent signal at 3 meters utilizing an inverse linear distance extrapolation Factor (20 dB/decade).

For testing above 1 GHz, the emission level of the EUT in peak mode was 20 dB lower than average limit (that means the emission level in peak mode also complies with the limit in average mode), then testing will be stopped and peak values of EUT will be reported, otherwise, the emissions will be measured in average mode again and reported.

Appropriate preamplifiers were used for improving sensitivity and precautions were taken to avoid overloading or desensitizing the spectrum analyzer. No post – detector video filters were used in the test.

The spectrum analyzer's 6 dB bandwidth was set to 1 MHz, and the analyzer was operated in the peak detection mode, for frequencies both below and up 1 GHz. The average levels were obtained by subtracting the duty cycle correction factor from the peak readings.

The following procedures were used to convert the emission levels measured in decibels referenced to 1 microvolt (dBuV) into field intensity in microvolt pre-meter (uV/m).

The actual field intensity in decibels referenced to 1 microvolt in to field intensity in microvolt per-meter (dBuV/m).



The actual field intensity in referenced to 1 microvolt per meter (dBuV/m) is determined by algebraically adding the measured reading in dBuV, the antenna factor (dB), and cable loss (dB) and Subtracting the gain of preamplifier (dB) is auto calculate in spectrum analyzer.

$$(1) \text{ Amplitude (dBuV/m) = FI (dBuV) +AF (dBuV) +CL (dBuV)-Gain (dB)}$$

FI= Reading of the field intensity.

AF= Antenna factor.

CL= Cable loss.

P.S Amplitude is auto calculate in spectrum analyzer.

$$(2) \text{ Actual Amplitude (dBuV/m) = Amplitude (dBuV)-Dis(dB)}$$

The FCC specified emission limits were calculated according the EUT operating frequency and by following linear interpolation equations:

(a) For fundamental frequency : Transmitter Output < +30 dBm

(b) For spurious frequency : Spurious emission limits = fundamental emission limit /10

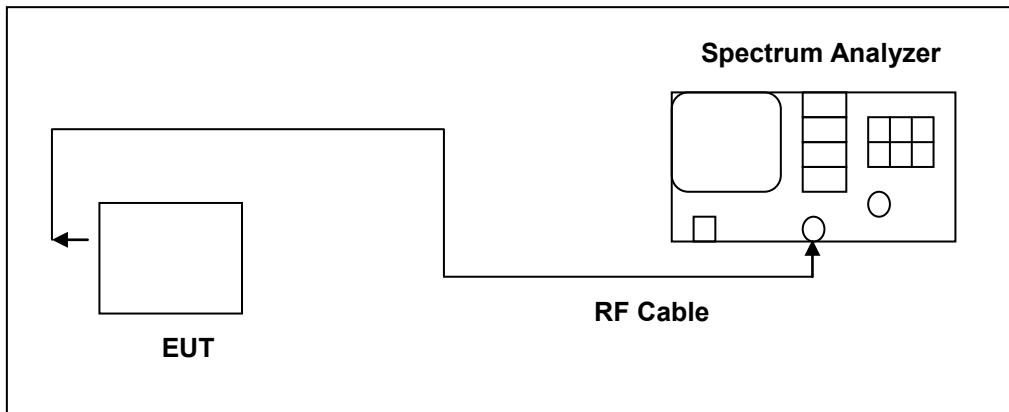
Data of measurement within this frequency range without mark in the table above means the reading of emissions are attenuated more than 20 dB below the permissible limits or the field strength is too small to be measured.

4.3. 20 dB Bandwidth

■ **Limit**

N/A

■ **Test Setup**



■ **Test Procedure**

The bandwidth of the fundamental frequency was measured by spectrum analyzer with 1 kHz RBW and 3 kHz VBW.



4.4. Antenna Requirement

- **Require**

An intentional radiator shall be designed to ensure that no antenna other than that furnished by the responsible party shall be used with the device. The use of a permanently attached antenna or of an antenna that uses a unique coupling to the intentional radiator shall be considered sufficient to comply with the provisions of this section. The manufacturer may design the unit so that a broken antenna can be replaced by the user, but the use of a standard antenna jack or electrical connector is prohibited.

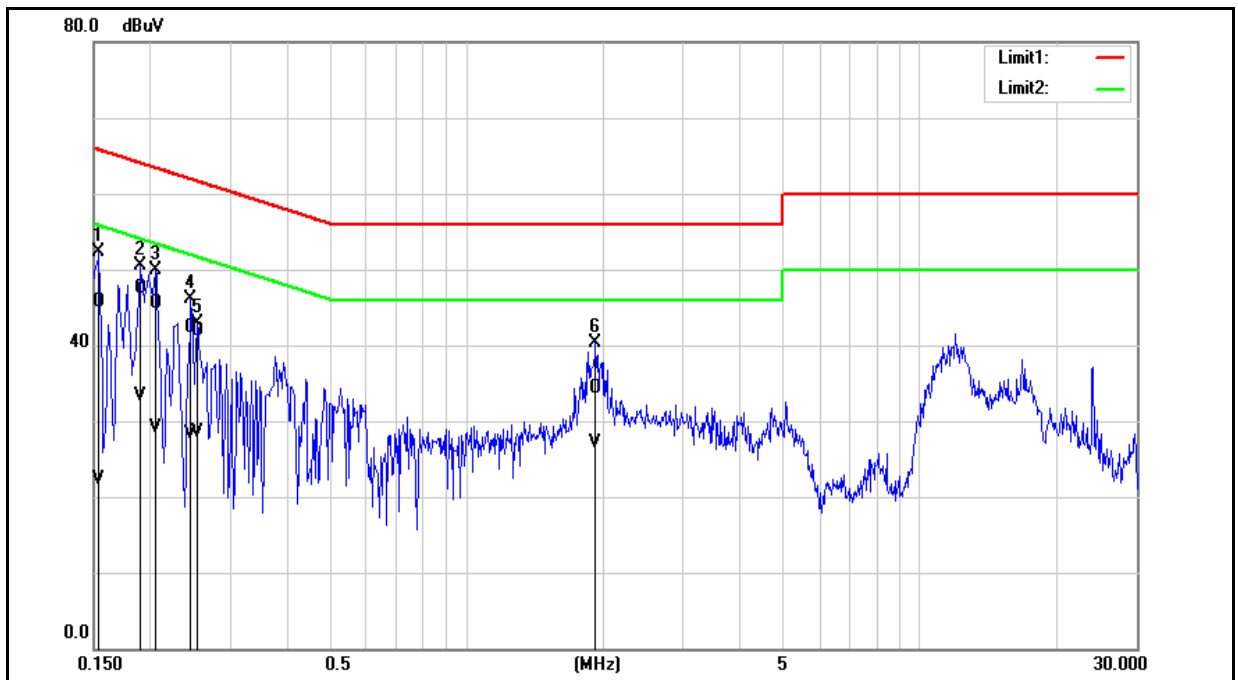
- **Antenna Connector Construction**

See section 2 – antenna information.

5 Test Results

Annex A. Conducted Emission

Standard:	FCC Part 15.247	Line:	L1
Test item:	Conducted Emission	Power:	AC 120 V/60 Hz
Test Mode:	Mode 1	Temp.(°C)/Hum.(%RH):	26(°C)/60 %RH
Description:			



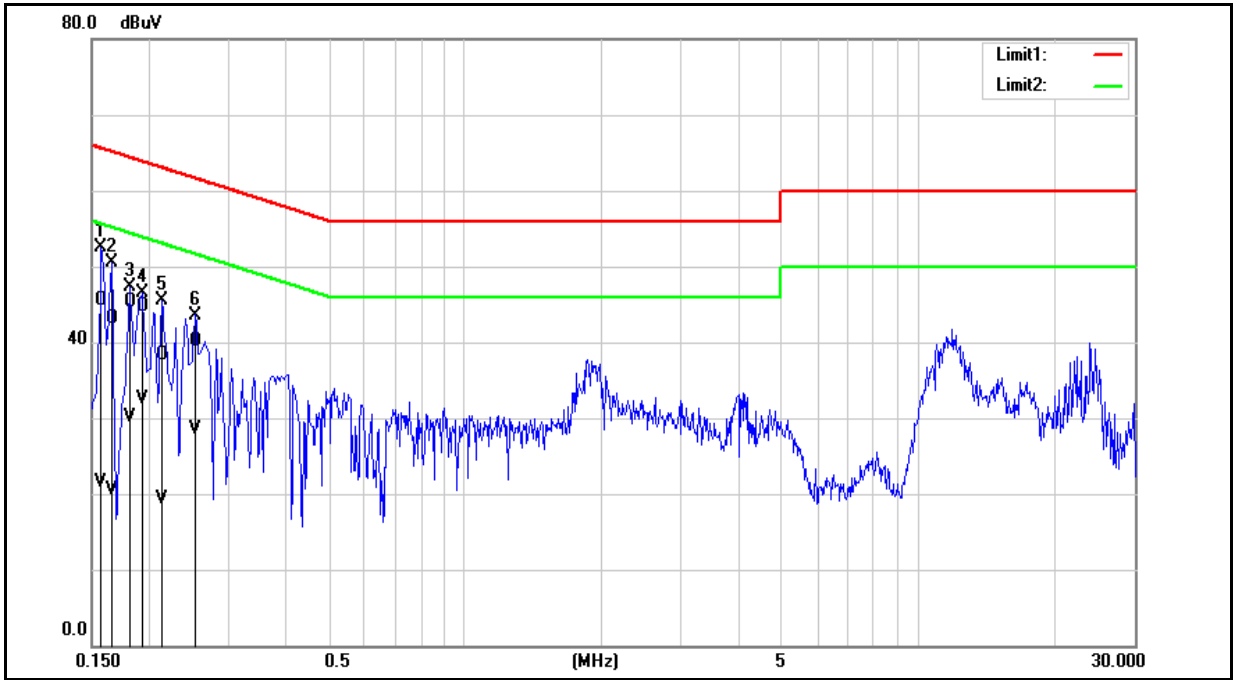
No.	Frequency (MHz)	QP reading (dBuV)	AVG reading (dBuV)	Correction factor (dB)	QP result (dBuV)	AVG result (dBuV)	QP limit (dBuV)	AVG limit (dBuV)	QP margin (dB)	AVG margin (dB)	Remark
1	0.1540	36.28	12.79	9.52	45.80	22.31	65.78	55.78	-19.98	-33.47	Pass
2	0.1900	37.93	23.73	9.52	47.45	33.25	64.04	54.04	-16.59	-20.79	Pass
3	0.2060	36.05	19.60	9.52	45.57	29.12	63.37	53.37	-17.80	-24.25	Pass
4	0.2460	32.88	18.69	9.52	42.40	28.21	61.89	51.89	-19.49	-23.68	Pass
5	0.2540	32.37	18.91	9.52	41.89	28.43	61.63	51.63	-19.74	-23.20	Pass
6	1.9260	24.70	17.47	9.60	34.30	27.07	56.00	46.00	-21.70	-18.93	Pass

Note: 1. Result (dBuV/m) = Correct Factor (dB/m) + Reading(dBuV).

2. Correction factor (dB) = Cable loss (dB) + L.I.S.N. factor (dB).



Standard:	FCC Part 15.247	Line:	N
Test item:	Conducted Emission	Power:	AC 120 V/60 Hz
Test Mode:	Mode 1	Temp.(°C)/Hum.(%RH):	26(°C)/60 %RH
Description:			



No.	Frequency (MHz)	QP reading (dBuV)	AVG reading (dBuV)	Correction factor (dB)	QP result (dBuV)	AVG result (dBuV)	QP limit (dBuV)	AVG limit (dBuV)	QP margin (dB)	AVG margin (dB)	Remark
1	0.1580	35.88	11.99	9.60	45.48	21.59	65.57	55.57	-20.09	-33.98	Pass
2	0.1660	33.52	10.86	9.60	43.12	20.46	65.16	55.16	-22.04	-34.70	Pass
3	0.1820	35.76	20.55	9.59	45.35	30.14	64.39	54.39	-19.04	-24.25	Pass
4	0.1940	35.20	22.82	9.59	44.79	32.41	63.86	53.86	-19.07	-21.45	Pass
5	0.2140	28.69	9.63	9.59	38.28	19.22	63.05	53.05	-24.77	-33.83	Pass
6	0.2540	30.46	18.93	9.59	40.05	28.52	61.63	51.63	-21.58	-23.11	Pass

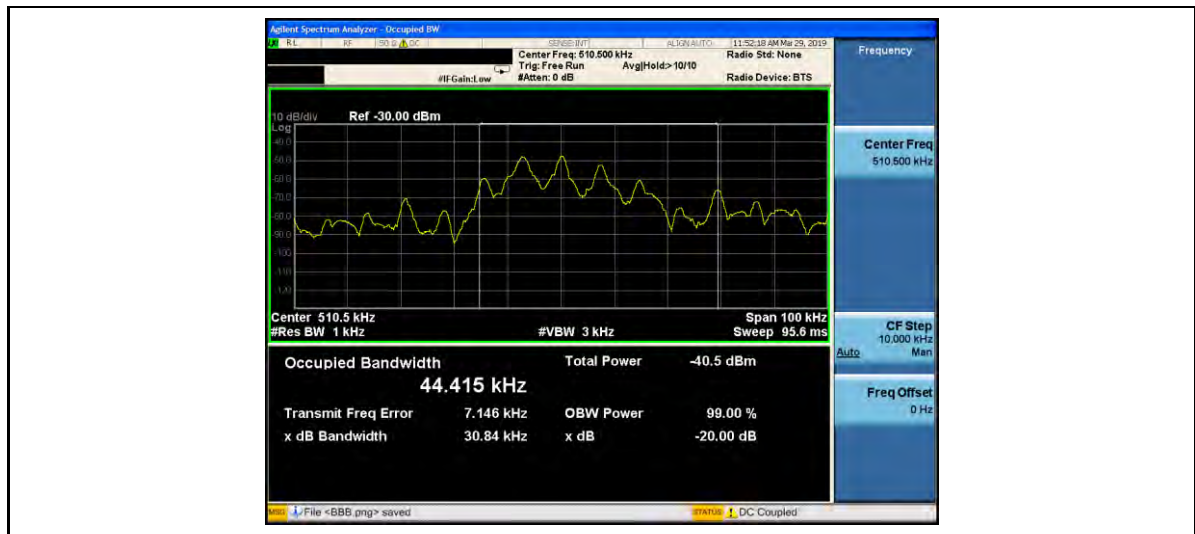
Note: 1. Result (dBuV/m) = Correct Factor (dB/m) + Reading(dBuV).

2. Correction factor (dB) = Cable loss (dB) + L.I.S.N. factor (dB).

Annex B. 20 dB Bandwidth

Test Mode	Mode 1
Frequency (kHz)	20 dB Bandwidth (kHz)
510.6	30.84

■ Test Graphs



Annex C. Radiated Emission Measurement

Harmonic

9 kHz ~ 30 MHz:

Standard:	FCC Part 15.209	Test Distance:	1 m
Test item:	Harmonic	Power:	AC 120 V/60 Hz
Test Mode:	Mode 1	Temp.(°C)/Hum.(%RH):	26(°C)/60 %RH
Ant.Polar.:	Horizontal		



No.	Frequency (MHz)	Reading (dBuV)	Correct Factor (dB/m)	Near-Field Result (dBuV/m)	Derived Value (dBuV)	Limit (dBuV/m)	Margin (dB)	Remark
1	0.5105	34.63	45.09	79.72	10.76	33.44	-22.69	QP
2	1.2986	33.02	40.61	73.63	12.78	25.33	-12.56	QP
3	4.0577	13.54	37.06	50.60	-0.36	29.54	-29.90	QP
4	6.637	0.53	37.42	37.95	-8.73	29.54	-38.27	QP
5	7.6567	1.15	37.64	38.79	-6.66	29.54	-36.20	QP
6	8.6764	0.92	37.88	38.80	-5.55	29.54	-35.09	QP

Note: The level is measured at 1 meter and is converted into result at 300 or 30 meter.

The converted formula listed below:

Measure result (1 meter distance): a

Compute result (30 meter distance): A

$d_{\text{near field}} = \lambda/2\pi$, $d_{\text{measure}} = 1$ meter distance

$A = a - 40 \cdot \log(d_{\text{near field}} / d_{\text{measure}}) - 20 \cdot \log(d_{\text{limit}} / d_{\text{near field}})$

ex. $a = 79.72$ dBuV, $A = 79.72 - 40 \cdot \log(93.53 / 1) - 20 \cdot \log(30 / 93.53)$ dBuV = 10.76 dBuV



Standard:	FCC Part 15.209	Test Distance:	1 m
Test item:	Harmonic	Power:	AC 120 V/60 Hz
Test Mode:	Mode 1	Temp.(°C)/Hum.(%RH):	26(°C)/60 %RH
Ant.Polar.:	Vertical		



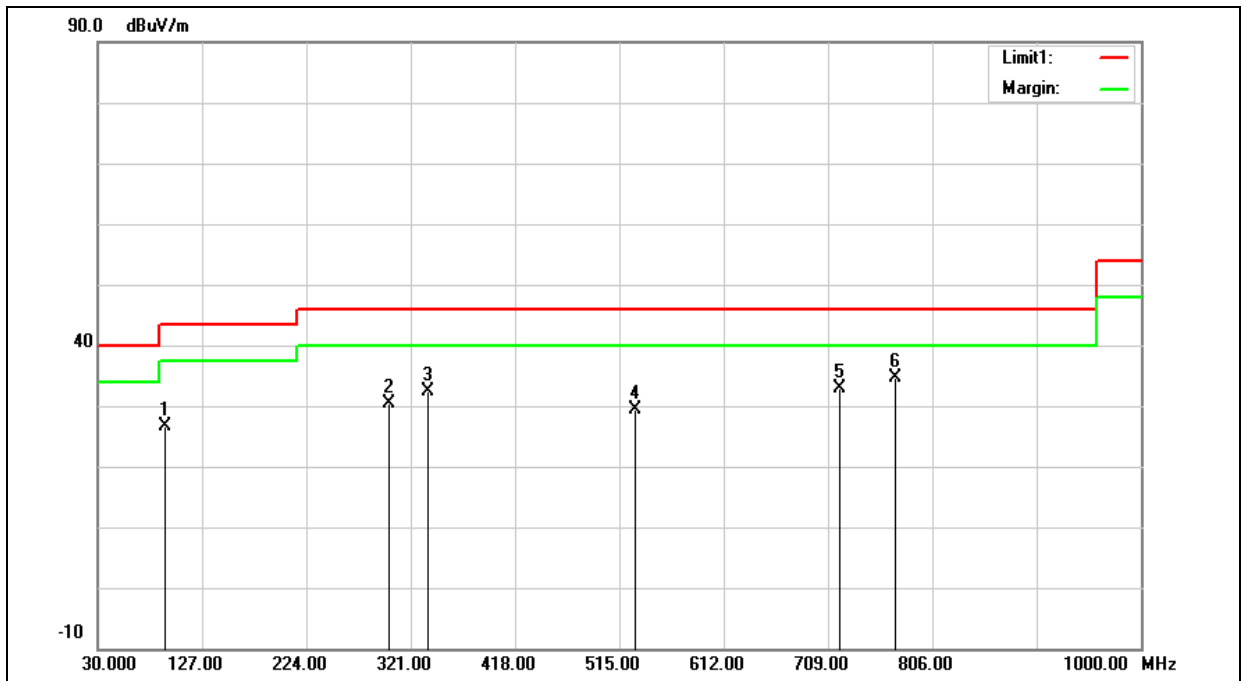
No.	Frequency (MHz)	Reading (dBuV)	Correct Factor (dB/m)	Near-Field Result (dBuV/m)	Derived Value (dBuV)	Limit (dBuV/m)	Margin (dB)	Remark
1	0.5105	36.72	45.09	81.81	12.85	33.44	-20.60	QP
2	1.2686	32.30	40.67	72.97	11.91	25.54	-13.62	QP
3	3.248	6.82	37.07	43.89	-9.00	29.54	-38.54	QP
4	3.9678	12.55	37.06	49.61	-1.54	29.54	-31.08	QP
5	7.6567	1.16	37.64	38.80	-6.65	29.54	-36.19	QP
6	8.6764	1.26	37.88	39.14	-5.21	29.54	-34.75	QP

Note: The level is measured at 1 meter and is converted into result at 300 or 30 meter.



30 MHz ~ 1 GHz:

Standard:	FCC Part 15.209	Test Distance:	3 m
Test item:	Harmonic	Power:	AC 120 V/60 Hz
Test Mode:	Mode 1	Temp.(°C)/Hum.(%RH):	26(°C)/60 %RH
Ant.Polar.:	Horizontal		



No.	Frequency (MHz)	Reading (dBuV)	Correct Factor (dB/m)	Result (dBuV/m)	Limit (dBuV/m)	Margin (dB)	Remark
1	93.0500	38.55	-11.84	26.71	43.50	-16.79	QP
2	300.6300	33.99	-3.72	30.27	46.00	-15.73	QP
3	336.5200	35.66	-3.21	32.45	46.00	-13.55	QP
4	529.5500	28.70	0.72	29.42	46.00	-16.58	QP
5	719.6700	28.22	4.70	32.92	46.00	-13.08	QP
6	771.0800	28.68	5.87	34.55	46.00	-11.45	QP

Note:1.Result (dBuV/m) = Correct Factor (dB/m) + Reading(dBuV).

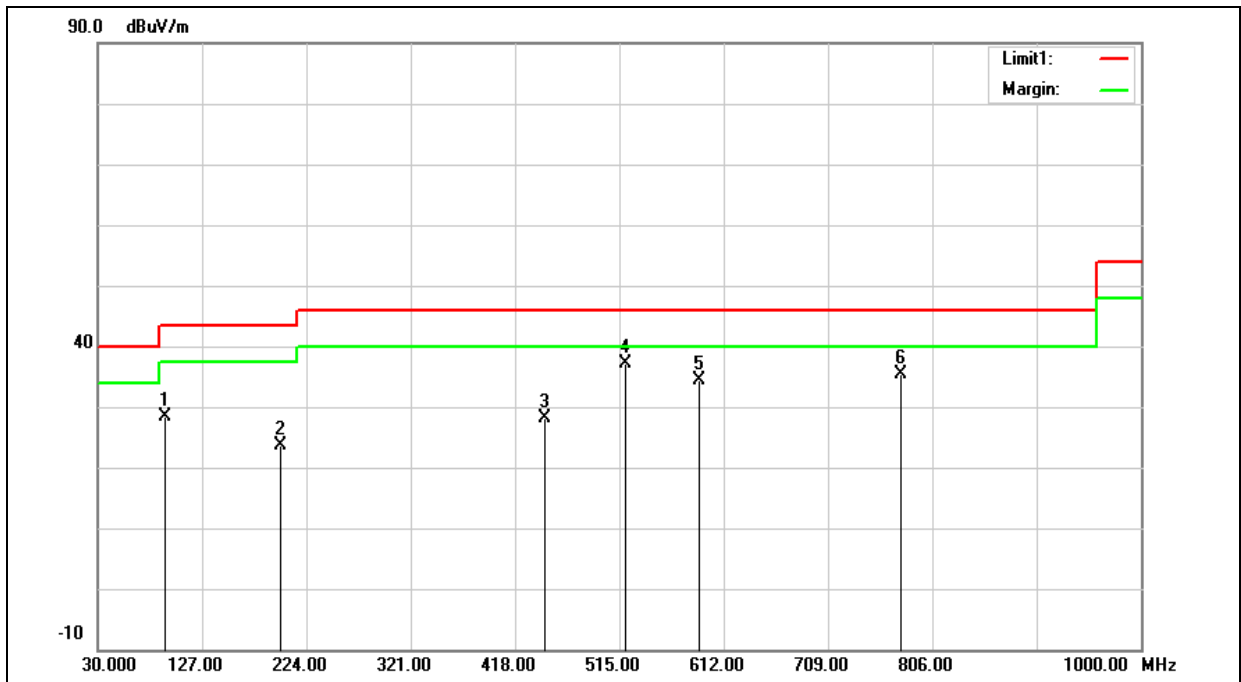
Example: 26.71=-11.84+38.55.

2.Correction factor (dB/m) = Antenna Factor (dB/m) + Cable loss (dB) – Pre-Amplifier gain (dB).

3. When the peak results are less than average limit, so not need to evaluate the average.



Standard:	FCC Part 15.209	Test Distance:	3 m
Test item:	Harmonic	Power:	AC 120 V/60 Hz
Test Mode:	Mode 1	Temp.(°C)/Hum.(%RH):	26(°C)/60 %RH
Ant.Polar.:	Vertical		



No.	Frequency (MHz)	Reading (dBuV)	Correct Factor (dB/m)	Result (dBuV/m)	Limit (dBuV/m)	Margin (dB)	Remark
1	93.0500	40.10	-11.84	28.26	43.50	-15.24	QP
2	199.7500	31.39	-7.72	23.67	43.50	-19.83	QP
3	445.1600	28.59	-0.47	28.12	46.00	-17.88	QP
4	520.8200	36.59	0.56	37.15	46.00	-8.85	QP
5	589.6900	32.19	2.23	34.42	46.00	-11.58	QP
6	776.9000	29.40	5.97	35.37	46.00	-10.63	QP

Note:1.Result (dBuV/m) = Correct Factor (dB/m) + Reading(dBuV).

Example: 28.26=-11.84+40.10.

2.Correction factor (dB/m) = Antenna Factor (dB/m) + Cable loss (dB) – Pre-Amplifier gain (dB).

3. When the peak results are less than average limit, so not need to evaluate the average.