



FCC RF Test Report

Product Name: Fixed Wireless Terminal

Model Number: F253, PCDH364SPC

**Report No: SYBH(Z-RF)011062012-2002
FCC ID:QISF253**

Reliability Laboratory of Huawei Technologies Co., Ltd.

Huawei Base, Bantian, Longgang District, Shenzhen 518129, P.R. China
Tel: +86 755 28780808 Fax: +86 755 89652518

Notice

1. The laboratory has obtained the accreditation of China National Accreditation Service for Conformity Assessment (CNAS), and accreditation number: L0310.
2. The laboratory has been listed on the US Federal Communications Commission list of test facilities recognized to perform electromagnetic emissions measurements. The site recognition number is 97456.
3. The laboratory has been listed by industry Canada to perform electromagnetic emission measurement. The site recognition number is 6369A-2.
4. The test report is invalid if not marked with "exclusive stamp for the test report".
5. The test report is invalid if not marked with the stamps or the signatures of the persons responsible for performing, revising and approving the test report.
6. The test report is invalid if there is any evidence of erasure and/or falsification.
7. If there is any dissidence for the test report, please file objection to the test centre within 15 days from the date of receiving the test report.
8. Normally, the test report is only responsible for the samples that have undergone the test.
9. Context of the test report cannot be used partially or in full for publicity and/or promotional purposes without previous written approval of the laboratory.



Applicant:	Huawei Technologies Co., Ltd.
Address:	Huawei Base, Bantian, Longgang District, Shenzhen 518129, P.R. China
Date of Receipt Test Item:	Jun., 12, 2012
Start Date of Test:	Jun., 14, 2012
End Date of Test:	Jun., 26, 2012
Test Result:	Pass

Approved By Senior Engineer Jun., 26, 2012 Dai Linjun *Dai Linjun*
Date Name Signature

Reviewed By Jun., 26, 2012 Cousy Xu *Cousy XU*
Date Name Signature

Operated By Jun., 26, 2012 Huang Qiuliang *Huang Qiuliang*
Date Name Signature



Contents

1	<u>General Information</u>	5
1.1	APPLIED STANDARD.....	5
1.2	TEST LOCATION.....	5
1.3	TEST ENVIRONMENTAL CONDITION.....	5
2	<u>Summary</u>	6
3	<u>Product Description</u>	7
3.1	PRODUCT INFORMATION	7
4	<u>Test Description</u>	9
4.1	SUPPORTED FREQUENCY RANGE	9
4.2	TRANSMITTER / RECEIVER CHARACTERISTICS.....	9
4.3	ANTENNA GAIN.....	10
4.4	POWER SUPPLY	10
5	<u>General Test Conditions / Configurations</u>	11
5.1	RF CHANNELS UNDER TEST.....	11
5.2	TEST MODES.....	11
5.3	TEST ENVIRONMENT	11
5.4	TEST SETUP.....	12
5.5	TEST CONDITIONS	16
6	<u>Main Test Instruments</u>	18
7	<u>Test Results</u>	19
8	<u>Measurement Uncertainty</u>	19



1 General Information

1.1 Applied Standard	
Applied Rules:	47 CFR FCC Part 2:2011, Subpart J 47 CFR FCC Part 24:2011, Subpart E ANSI/TIA 603C:2004
1.2 Test Location	
Test Location 1:	Reliability Laboratory of Huawei Technologies Co., Ltd.
Address:	Huawei Base, Bantian, Longgang District, Shenzhen 518129, P.R. China
1.3 Test Environmental Condition	
Ambient Temperature:	20 – 25 °C
Ambient Relative Humidity:	45 – 55 %
Atmospheric Pressure:	101 kPa

2 Summary

Table 1 Summary of results

Test Case	FCC Part No.	Requirements	Result
PCS Band			
Transmitter Output Power	2.1046 & 24.232	Peak EIRP not exceed 2 W	Pass
Modulation Characteristics	2.104	Digital modulation	Pass
Occupied Bandwidth	2.104	(Not specified)	Pass
Band Edges Compliance	2.1051 & 24.238	Below -13 dBm/1%*EBW, in 1 MHz range	Pass
Spurious Emission at Antenna Terminals	2.1051 & 24.238	Below -13 dBm/1 kHz, 9 kHz to 150 kHz Below -13 dBm/10 kHz, 150 kHz to 30 MHz Below -13 dBm/1 MHz, 30 MHz to 10 th harmonics	Pass
Field Strength of Spurious Radiation	2.1053 & 24.238	Below -13 dBm/1 MHz	Pass
Frequency Stability	2.1055 & 24.235	Stay within the authorized frequency block	Pass

3 Product Description

3.1 Product Information

3.1.1 General Description

F253/PCDH364SPC is a CDMA Fixed Wireless Terminal. It's operated in Band Class 0, Band Class 1 and Band Class10. The Wireless Terminal implements such functions as RF signal receiving / Transmitting, CDMA protocol processing, voice, data etc. The TX is 824MHz-849MHz, the RX is 869MHz-894MHz for Band Class 0; the TX is 1850MHz-1910MHz, the RX is 1930MHz-1990MHz for Band Class 1; the TX is 816MHz-824MHz, the RX is 861MHz-869MHz for Band Class 10. It supports A-GPS service and CDMA2000 1X advanced. Externally it provides USB interface (to computers), antenna interface, and power interface, in addition to the charging interface.

3.1.2 Board Information

Table 2 Board Information

Fixed Wireless Terminal		
F253, PCDH364SPC		
Board and Module		
Equipment Designation / Description	Serial Number	Hardware Version
MAINBOARD	G6B01A9260300067	WL1F253I

3.1.3 Adapter Technical Data

AC/DCAdapter Model	CNR2260
Manufacturer	HUAWEI Technologies Co.LTD.(TPI)
Input Voltage	100-240V ~50/60Hz, 0.2A
Output Voltage	+12V 500mA
Rated Power	6W(max)



3.1.4 Battery Technical Data

Name	Qty.	Manufacture	Serials number	Description
Rechargeable Ni-MH	1	HUAWEI Technologies Co.LTD.(GY)	HGY12040242012	Battery Model: HGB-15AAx3 Rated capacity: 1500mAh Nominal Voltage: 3.6V Charging Voltage: 4.2V
Rechargeable Ni-MH	1	HUAWEI Technologies Co.LTD.(GRP)	GRP11080101247	Battery Model: HGB-15AAx3 Rated capacity: 1500mAh Nominal Voltage: 3.6V Charging Voltage: 4.2V

4 Test Description

4.1 Supported Frequency Range

Characteristics	Description
Downlink	1930 to 1990 MHz
Uplink	1850 to 1910 MHz

4.2 Transmitter / Receiver Characteristics

Characteristics	Description
System Type	CDMA
TX Output Power (per Antenna Port)	CDMA system: 24dBm
Channel Spacing(s) / Bandwidth(s)	CDMA system: 1.28 MHz (PCS Band)
Designation of Emissions	CDMA system: 1M27F6W (PCS Band)

4.3 Antenna Gain

Antenna Gain(dBi)	1
-------------------	---

4.4 Power Supply

Specification	Description
Power Supply Type	Directly Connected to DC /AC Power Supply
Input to EUT (DC power)	DC Voltage Nominal: \approx 3.6 V DC Voltage Range: \approx 3.6 V to 4.2 V
Input to EUT (AC power)	AC Voltage Nominal: ~ 230 V (50/60 Hz) AC Voltage Range: ~ 100 V to 240 V

5 General Test Conditions / Configurations

5.1 RF Channels under Test

Test Mode	TX / RX	RF Channel		
		Low (L)	Middle (M)	High (H)
TM1/TM3	TX	Channel 25	Channel 600	Channel 1175
		1851.25MHz	1880.0MHz	1908.75MHz
	RX	Channel 25	Channel 600	Channel 1175
		1931.25MHz	1960.0MHz	1988.75MHz

5.2 Test Modes

Test Mode	Test Modes Description
TM1	CDMA2000 1x mode QPSK modulation
TM3	CDMA2000 1x mode HPSK modulation

5.3 Test Environment

Environment Parameter	Selected Values During Tests	
Relative Humidity	Ambient	
Temperature	TN	Ambient
Voltage	VL	3.5V
	VN	3.6V
	VH	4.2V

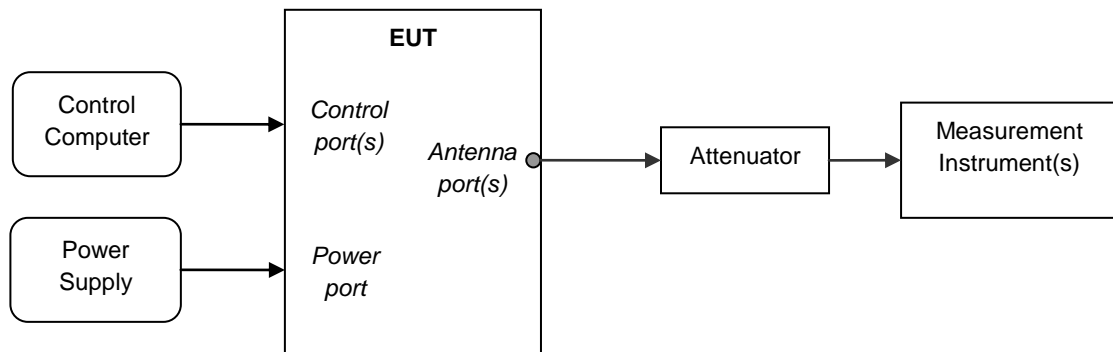
NOTE: VL= lower extreme test voltage
 VN= nominal voltage
 VH= upper extreme test voltage
 TN= normal temperature

5.4 Test Setup

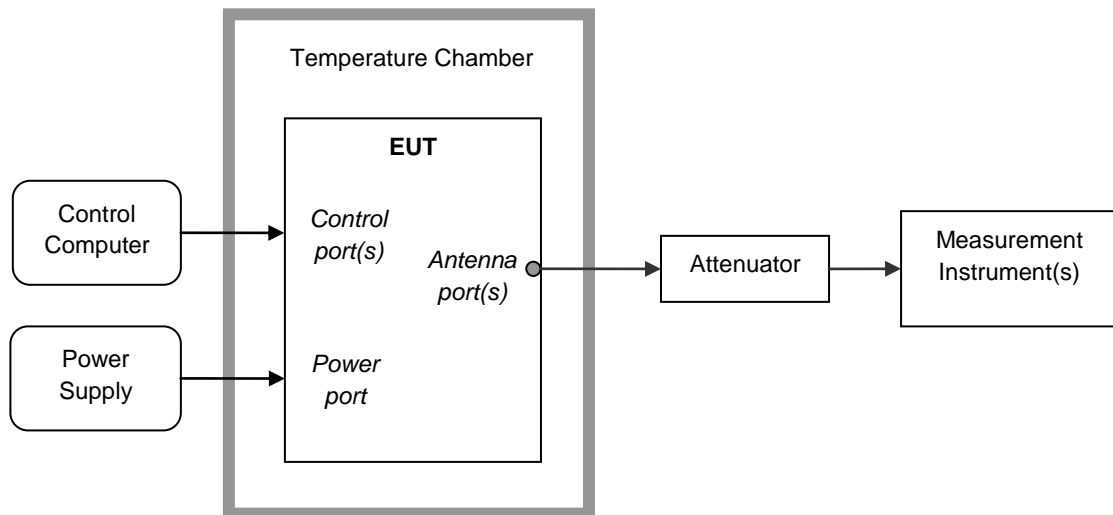
5.4.1 General Test Setup Configurations

Configuration	Description
Test Antenna Ports	Until otherwise declared, all TX tests are ONLY performed at the main Transmitter antenna port (e.g. TRXA, TXA and so on) of the EUT, and all RX tests are ONLY performed at the main Receiver antenna port (e.g. TRXA, RXA and so on) of the EUT.
Multiple RF Sources	Other than the tested RF source of the EUT, other RF source(s) are disabled or shutdown during measurements.

5.4.2 Test Setup 1



5.4.3 Test Setup 2



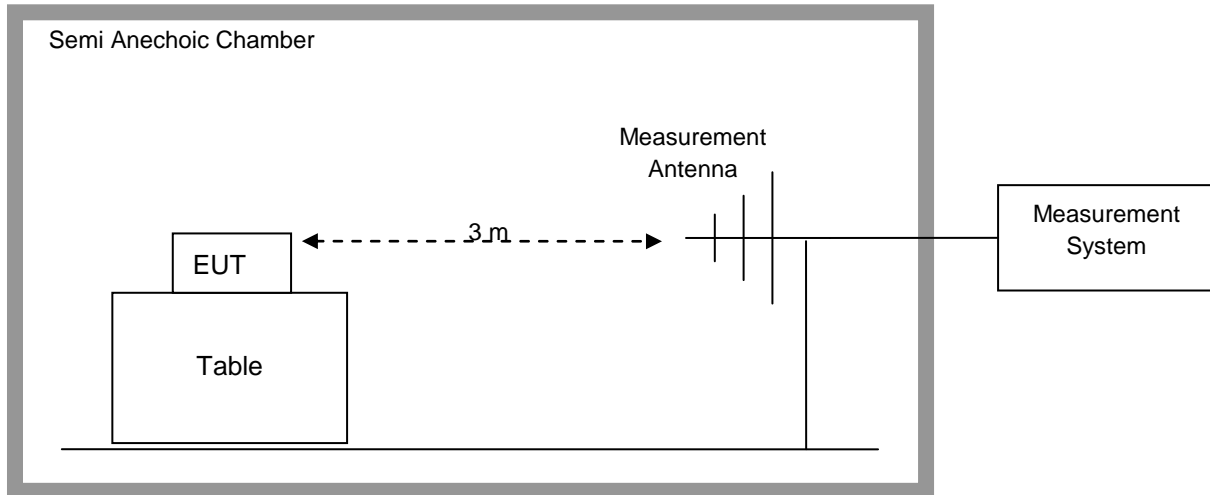
5.4.4 Test Setup 3

NOTE1: Effective radiated power (ERP) or Effective Isotropic radiated power (EIRP) refers to the EUT radiation power output, assuming all emissions are radiated from half-wave dipole antennas or horn antennas.

NOTE2: The EUT was set on insulator 80cm above the Ground Plane. The setup and test methods were according to ANSI-TIA-603C 2004. The measurements were carried through with a Rohde and Schwarz Test Receiver and control software.

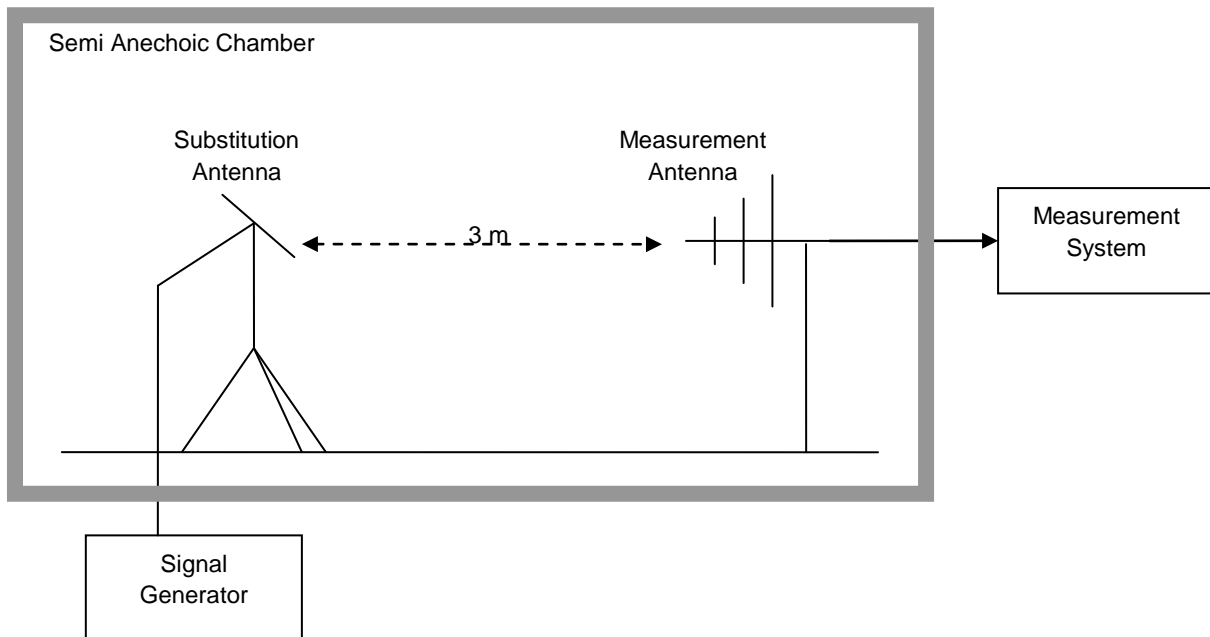
Step 1: Pre-test to find the Maximum ERP or EIRP

1. Connect the test system according to the following figure. EUT is running for 30 minutes before test, and measurement instruments are warming-up for 30 minutes.
2. Set up communication link between Universal radio communication tester and EUT, set EUT working frequency, and control EUT to transmit at maximum power.
3. Set the center frequency of the signal analyzer or receiver to the EUT's operating frequency, the RBW is equal to the emission bandwidth of the signal. Set RMS detector for the test, and the span is equal to 2 times of emission bandwidth, the other settings should remain automatic. Normally, the height range of antenna was 1m to 4m, the azimuth range of turntable was 0° to 360°. The receiver antenna has two polarizations V and H. A portable or small unlicensed wireless device shall be placed on a non-metallic test fixture or other non-metallic support during testing. The supporting fixture shall permit orientation of the EUT in each of three orthogonal (x, y, z) axis positions such that emissions from the EUT are maximized. Measure the EUT maximum RF power and record the result.
4. Changing EUT working frequency and measuring the RF power at channel L, M, H respectively.
Complete the test data.



Step 2: Substitution method to verify the maximum ERP or EIRP

1. Measurement setup is according to the following figures. EUT was substituted by antenna, and the polarization is identical with the test antenna; the signal generator was connected to the substitution antenna.
2. The radiated output power, measured by signal analyzer set, is the same as recorded in above item 5). Then this power level is matched by a signal from a calibrated signal generator which is substituted for EUT. The power supplied by the generator is then equal to the ERP or EIRP after corrected by the antenna gain and cable loss.



5.5 Test Conditions

Test Case	Test Conditions	
Transmitter Output Power	Test Configuration	Ambient Temperature & Rated Voltage
	Test Setup	Test Setup 1 & Test Setup 3
	Detector	RMS
	RF Channels (TX)	L, M, H
	Test Mode	TM1/TM3
Modulation Characteristics	Test Configuration	Ambient Temperature & Rated Voltage
	Test Setup	Test Setup 1
	RF Channels (TX)	M
	Test Mode	TM1/TM3
Occupied Bandwidth	Test Configuration	Ambient Temperature & Rated Voltage
	Test Setup	Test Setup 1
	Detector	PK
	RF Channels (TX)	L, M, H
	Test Mode	TM1/TM3
Band Edges Compliance	Test Configuration	Ambient Temperature & Rated Voltage
	Test Setup	Test Setup 1
	Detector	RMS
	RF Channels (TX)	L, H
	Test Mode	TM1/TM3
Spurious Emission at Antenna Terminals	Test Configuration	Ambient Temperature & Rated Voltage
	Test Setup	Test Setup 1
	Detector	PK
	RF Channels (TX)	L, M, H
	Test Mode	TM1/TM3
Field Strength of Spurious Radiation	Test Configuration	Ambient Temperature & Rated Voltage
	Test Setup	Test Setup 3
	Detector	PK
	RF Channels (TX)	M
	Test Mode	TM1/TM3
Frequency Stability	Test Configuration	(1) -30 °C to +50 °C with step 10 °C at Rated Voltage; (2) 85%, 100% and 115% of Rated Voltage at Ambient Temperature.
	Test Setup	Test Setup 2
	RF Channels (TX)	M



Test Case	Test Conditions	
	Test Mode	TM1/TM3

6 Main Test Instruments

Table 3 Main Test Equipments

Equipment Description	Manufacturer	Model	Serial Number	Calibrated until
Power supply	KEITHLEY	2303	1288003	Sept., 27, 2012
Universal Radio Communication Tester	R&S	CMU200	105822	Oct., 24, 2012
Wireless Communication Test set	Agilent	N4010A	MY49081592	Dec., 14, 2012
Universal Radio Communication Tester	Agilent	E5515C	MY50260239	Aug., 31, 2012
Spectrum Analyzer	Agilent	E4440A	MY49420179	Apr., 20, 2013
Signal Analyzer	R&S	FSQ31	200021	Sept., 27, 2012
Temperature Chamber	WEISS	WKL64	24600294	Jan.03,2013
Signal generator	Agilent	E8257D	MY49281095	Jul., 09,2012
Vector Signal Generator	R&S	SMU200A	104162	Sep.07,2012
Test receiver	R&S	ESU26	100150	May.24,2013
Tunable Dipole	Schwarzbeck	D69250-UHAP/D69250-VHAP	919/1009	Dec.13,2012
Tunable Dipole	Schwarzbeck	D69250-UHAP/D69250-VHAP	979/917	Dec.13,2012
Horn Antenna	R & S	HF906	100683	May.16,2013
Horn Antenna	R & S	HF906	100684	May.16,2013
Broadband Antenna	Schwarzbeck	VULB 9163	9163-357	Sep.15,2012
Broadband Antenna	Schwarzbeck	VULB 9163	9163-356	Sep.15,2012

7 Test Results

No.	Test Item	Test Result
1	Transmitter Output Power	Appendix A
2	Modulation Characteristics	Appendix B
3	Occupied Bandwidth	Appendix C
4	Band Edges Compliance	Appendix D
5	Spurious Emission at Antenna Terminals	Appendix E
6	Field Strength of Spurious Radiation	Appendix F
7	Frequency Stability	Appendix G
8	Photos of Test Setup	Appendix H

NOTE: There is no test data in Appendix H, only Photos of Test Setup for Field Strength of Spurious Radiation.

8 Measurement Uncertainty

For a 95% confidence level ($k=2$), the measurement expanded uncertainties for defined systems, in accordance with the recommendations of ISO 17025 as following:

Test Item		Extended Uncertainty
Transmitter Output Power	Power (dBm)	U =0.39 dB
Occupied Bandwidth	Magnitude (%)	U=0.2%
Band Edge Compliance	Disturbance Power (dBm)	U=2.0 dB
Conducted Spurious Emissions	Disturbance Power (dBm)	U=2.0 dB
Field Strength of Spurious Radiation	ERP (dBm)	U=4.6 dB (30 MHz – 1GHz) U=3.0 dB (above 1 GHz)
Frequency Stability	Frequency Accuracy (ppm)	U=0.21 ppm

-----The END-----