



FCC RF Test Report

Product Name: cdma2000 Digital Mobile Phone

**Model Number: C8655,Orinoquia C8655,C8688V,Orinoquia
C8688V**

Report No: SYBH(Z-RF)009052012-2002

FCC ID: QISC8688V

Reliability Laboratory of Huawei Technologies Co., Ltd.

Huawei Base, Bantian, Longgang District, Shenzhen 518129, P.R. China

Tel: +86 755 28780808 Fax: +86 755 89652518



Notice

1. The laboratory has obtained the accreditation of China National Accreditation Service for Conformity Assessment (CNAS), and accreditation number: L0310.
2. The laboratory has been listed on the US Federal Communications Commission list of test facilities recognized to perform electromagnetic emissions measurements. The site recognition number is 97456.
3. The laboratory has been listed by industry Canada to perform electromagnetic emission measurement. The site recognition number is 6369A-2.
4. The test report is invalid if not marked with "exclusive stamp for the test report".
5. The test report is invalid if not marked with the stamps or the signatures of the persons responsible for performing, revising and approving the test report.
6. The test report is invalid if there is any evidence of erasure and/or falsification.
7. If there is any dissidence for the test report, please file objection to the test centre within 15 days from the date of receiving the test report.
8. Normally, the test report is only responsible for the samples that have undergone the test.
9. Context of the test report cannot be used partially or in full for publicity and/or promotional purposes without previous written approval of the laboratory.



REGULATION	FCC CFR47 Part 2:2010: Subpart J ;
	FCC CFR47 Part 15:2010: Subpart C;
	ANSI C63.10
START OF TEST	May.06, 2012
END OF TEST	May.13, 2012
Final Judgement:	Pass

Approved By Senior Engineer May.29, 2012 Dai Linjun *Dai Linjun*
 Date Name Signature

Reviewed By May.29, 2012 Cousy Xu *Cousy XU*
 Date Name Signature

Operator May.29, 2012 Huang Qiuliang *Huang Qiuliang*
 Date Name Signature



Contents

1	<u>Summary</u>	5
2	<u>Product Description</u>	6
2.1	PRODUCT INFORMATION.....	6
2.2	MODIFICATION INFORMATION.....	6
3	<u>Test Site Description</u>	7
3.1	GENERAL SET UP DESCRIPTION	7
4	<u>Product Description</u>	8
4.1	TECHNICAL CHARACTERISTICS.....	8
4.2	EUT IDENTIFICATION LIST	10
5	<u>Main Test Instruments</u>	11
6	<u>Transmitter Measurements</u>	12
6.1	BANDWIDTH MEASUREMENT	12
6.2	CARRIER FREQUENCY SEPARATION MEASUREMENT	14
6.3	NUMBER OF HOPPING CHANNEL.....	16
6.4	TIME OF OCCUPANCY	18
6.5	PEAK OUTPUT POWER	20
6.6	BAND EDGE SPURIOUS EMISSION	22
6.7	CONDUCTED RF SPURIOUS	24
6.8	RADIATED SPURIOUS EMISSION & SPURIOUS IN RESTRICTED BAND	26
6.9	CONDUCTED EMISSION AT POWER PORT	28
7	<u>System Measurement Uncertainty</u>	30
8	<u>Appendices List</u>	31



1 Summary

The table below summarizes the measurements and results for the EUT. Detailed results and descriptions are shown in the following pages.

Table 1 Summary of results

FCC Measurement Specification	Description	Result
15.247 (a) (1)	Bandwidth measurement	PASS
15.247 (a) (1)	Carrier frequency separation measurement	PASS
15.247 (a) (1) III	Number of hopping channel	PASS
15.247 (a) (1) III	Time of occupancy	PASS
15.247 (b) (1)	Peak output power	PASS
15.247 (d)	Band edge compliance measurement	PASS
15.247 (d)	Conducted RF spurious	PASS
15.247 (d) / 15.205 & 15.209	Radiated spurious emission & Radiated restricted band measurement	PASS
15.207	Conducted emission test for power port	PASS



2 Product Description

2.1 Product Information

2.1.1 General Description

cdma2000 Digital Mobile Phone- C8655,Orinoquia C8655,C8688V,Orinoquia C8688V is subscriber equipment in the CDMA/EVDO system. The frequency band is US Cellular. The Mobile Phone implements such functions as RF signal receiving/transmitting, CDMA2000 1x and 1XEV-DO protocol processing, voice, MMS service, GPS, AGPS and WIFI etc. Externally it provides micro SD card interface, earphone port (to provide voice service). It also provides Bluetooth module to synchronize data between a PC and the phone, or to use the built-in modem of the phone to access the Internet with a PC, or to exchange data with other Bluetooth devices.

Note: Only the Bluetooth test data included in this report.

2.1.2 Support function and Service

The EUT support the Bluetooth's function and service as follows:

Table 2 Service and Test mode List

Service Name	Characteristic	Corresponding Test Mode	Note
Data and Voice	Modulation: GFSK	TM1	/

2.2 Modification Information

For original equipment, following table is not application.

Table 3 Modification Information

Model Number	Board/Module	Original Version	New Version	Modify Information
Not applicable!				



3 Test Site Description

The test site of:

***Huawei Technologies Co. Ltd.
P.O. Box 518129
Huawei base, bantian,
Longgang District, Shenzhen, China***

3.1 General Set up Description

The Bluetooth hopping frequency system of EUT can Support 2.4GHz Band. For compliance with FCC regulation 47CFR part15 subpart C, we set the EUT as following test mode to do all compliance tests.

Bluetooth MODE:

TM1: GFSK Modulation



4 Product Description

4.1 Technical Characteristics

4.1.1 Frequency Range

Table 4 Frequency Range

Uplink band:	2400 to 2483.5 MHz	
Downlink band:	2400 to 2483.5 MHz	
Hop frequency support:	<input checked="" type="checkbox"/> YES	<input type="checkbox"/> NO

4.1.2 Channel Spacing / Separation

Table 5 Channel Spacing / Separation

Channel spacing:	1 MHz
Channel separation:	1 MHz

4.1.3 Antenna Information

Table 6 Antenna Information

Type:	Integrated / Internal
Maximum Gain(dBi):	-1.11(from 2400MHz to 2500MHz)



4.1.4 Environmental Requirements

Table 7 Environmental Requirements

Minimum temperature:	- 10 °C
Maximum temperature:	+ 55 °C
Relative Humidity:	5%-95%

4.1.5 Power Source

Table 8 Power Source

AC voltage nominal:	~120V
AC voltage range	~100V-240V
AC current maximal:	1A

4.1.6 Tune-up Procedure

According to CFR (FCC) part 2, subpart 2, section 2.1033(c) (9).

Please reference the document Tune-up Procedure in TCF.



4.2 EUT Identification List


4.2.1 Board Information

Table 9 Board Information

cdma2000 Digital Mobile Phone		
C8655,Orinoquia C8655,C8688V,Orinoquia C8688V		
Board and Module		
Equipment Designation / Description	Software Version	Hardware Version
Main board of Mobile Phone	C8688VV100R001C32B823	HC1C8655M

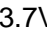
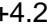
4.2.2 Adapter Technical Data

Table 10 Adapter Technical Data

AC/DCAdapter Model	HW-050100U1W
Manufacturer	Huawei Technologies Co., Ltd.
Input Voltage	~100-240V 50/60Hz 0.2A
Output Voltage	5V  1A
Rated Power	5W

4.2.3 Battery Technical Data

Table 11 Battery Technical Data

Name	Manufacture	Description
Rechargeable Li-ion	Huawei Technologies Co., Ltd.	Battery Model: HB5K1H Rated capacity: 1400mAh Nominal Voltage:  +3.7V Charging Voltage:  +4.2V

4.2.4 FCC Identification

Grantee Code: QIS
 Product Code: C8688V
 FCC Identification: QISC8688V



5 Main Test Instruments

Table 12 Main Test Equipments

Equipment Description	Manufacturer	Model	Serial Number	Calibrated until
Power supply	KEITHLEY	2303	1288003	Sept., 27, 2012
Wireless Communication Test set	Agilent	N4010A	MY49081592	Nov., 26, 2012
Spectrum Analyzer	Agilent	E4440A	MY48250119	Jul., 17, 2012
Signal Analyzer	R&S	FSQ31	200021	Sept., 27, 2012
Spectrum Analyzer	Agilent	N9030A	MY49431698	Oct., 16, 2012
Temperature Chamber	WEISS	WKL64	24600294	Feb., 13, 2013
Signal generator	Agilent	E8257D	MY49281095	Jul., 09, 2012
Test receiver	R&S	ESU26	100150	May., 29, 2012
Tunable Dipole	Schwarzbeck	D69250-UHAP/D69250-VHAP	919/1009	Jan., 29, 2013
Tunable Dipole	Schwarzbeck	D69250-UHAP/D69250-VHAP	979/917	Jan., 29, 2013
Horn Antenna	R & S	HF906	100683	May., 15, 2012
Horn Antenna	R & S	HF906	100684	Jul., 01, 2012
Broadband Antenna	Schwarzbeck	VULB 9163	9163-357	May., 15, 2012
Broadband Antenna	Schwarzbeck	VULB 9163	9163-356	May., 15, 2012



6 Transmitter Measurements

6.1 Bandwidth measurement

6.1.1 Test Conditions

Table 13 Test Conditions

Preconditioning:	0.5 hour
Measured at:	Antenna connector
Ambient temperature:	25 °C
Relative humidity:	55%
Test Configurations:	TM1 at channel No.0, 40, 78

6.1.2 Test Specifications and Limits

6.1.2.1 Specification

CFR 47 (FCC) part 15.247 (a) (1) and DA 00-705

6.1.2.2 Supporting Standards

Table 14 Supporting Standards

ANSI C63.10-2009	American National Standard for Testing Unlicensed Wireless Devices
------------------	--

6.1.2.3 Limits

Not Applicable.

6.1.3 Test Method and Setup

- (a) Connect test port of EUT to universal communication tester.
- (b) Set the EUT to transmit maximum output power at 2.4GHz and switch off frequency hopping function, then set the measured frequency number and test the bandwidth with universal communication tester.

Test setup

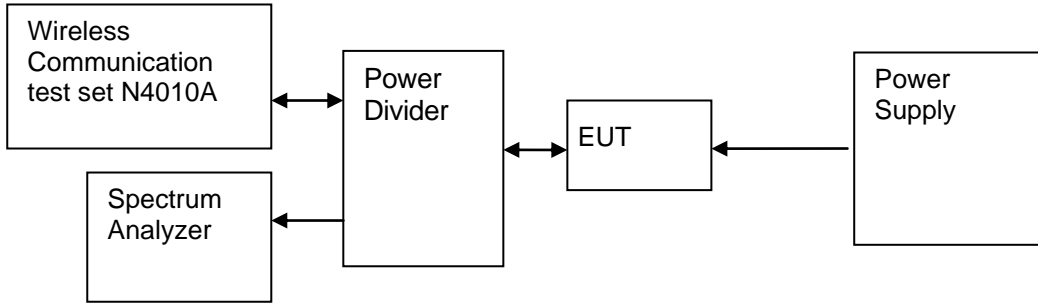


Figure 1. Test Set-up

6.1.4 Measurement Results

Table 15 Measurement Results

Channel Position	Channel Number	Frequency [GHz]	Bandwidth Type	Measured Bandwidth [MHz]	Result
B	0	2.402	20dB	0.86	Pass
			99%	0.97	Pass
M	40	2.442	20dB	0.95	Pass
			99%	0.88	Pass
T	78	2.480	20dB	0.96	Pass
			99%	0.87	Pass

6.1.5 Conclusion

The equipment **PASSED** the requirement of this clause.
 For the measurement results refer to appendix A.



6.2 Carrier frequency separation measurement

6.2.1 Test Conditions

Table 16 Test Conditions

Preconditioning:	0.5 hour
Measured at:	Antenna connector
Ambient temperature:	25 °C
Relative humidity:	55%
Test Configurations:	TM1 at channel No.39, 40, 41

6.2.2 Test Specifications and Limits

6.2.2.1 Specification

CFR 47 (FCC) part 15.247 (a) (1) and DA 00-705

6.2.2.2 Supporting Standards

Table 17 Supporting Standards

ANSI C63.10-2009	American National Standard for Testing Unlicensed Wireless Devices
------------------	--

6.2.2.3 Limits

Frequency hopping systems shall have hopping channel carrier frequencies separated by a minimum of 25 kHz or the 20 dB bandwidth of the hopping channel, whichever is greater. Alternatively, frequency hopping systems operating in the 2400-2483.5 MHz band may have hopping channel carrier frequencies that are separated by 25 kHz or two-thirds of the 20 dB bandwidth of the hopping channel, whichever is greater.

Table 18 Limits

Regulation:	≥ 0.025 or $2/3$ of the 20 dB bandwidth
Limit:	$\geq 2/3 \times 0.95M = 0.633\text{MHz}$

6.2.3 Test Method and Setup

- (a) Connect test port of EUT to spectrum analyzer and universal communication tester.
- (b) Set the EUT to transmit maximum output power at 2.4GHz and switch off frequency hopping function, then set the measured frequency number to two adjacent channels separately and test the carrier frequency separation with spectrum analyzer.

Test setup

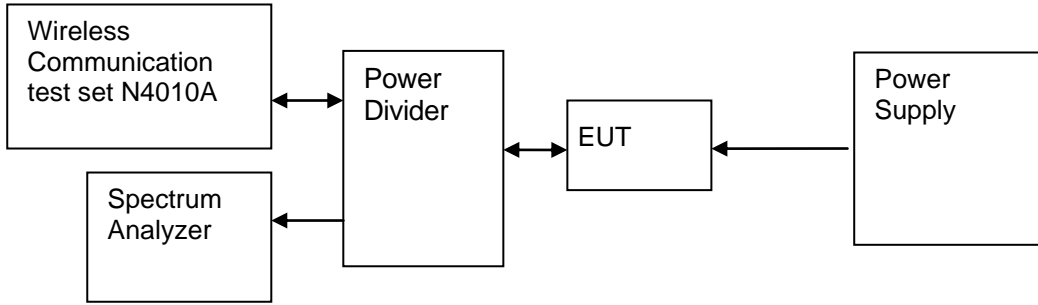


Figure 2. Test Set-up

6.2.4 Measurement Results

Table 19 Measurement Results

Channel No.	Frequency [GHz]	Channel No.	Frequency [GHz]	Measured frequency separation [MHz]	Limit [MHz]	Result
40	2.442	39	2.441	1.0	≥0.633	Pass
40	2.442	41	2.443	1.1	≥0.633	Pass

6.2.5 Conclusion

The equipment **PASSED** the requirement of this clause.
 For the measurement results refer to appendix B.

6.3 Number of hopping channel

6.3.1 Test Conditions

Table 20 Test Conditions

Preconditioning:	0.5 hour
Measured at:	Antenna connector
Ambient temperature:	25 °C
Relative humidity:	55%
Test Configurations:	TM1 at hopping frequency state

6.3.2 Test Specifications and Limits

6.3.2.1 Specification

CFR 47 (FCC) part 15.247 (a) (1) iii and DA 00-705

6.3.2.2 Supporting Standards

Table 21 Supporting Standards

ANSI C63.10-2009	American National Standard for Testing Unlicensed Wireless Devices
------------------	--

6.3.2.3 Limits

Number of hopping channel should be compliance with the requirements in part15.247 (a) (1) iii.

Table 22 Limits

Limits	≥ 15 hopping frequency channel
--------	-------------------------------------

6.3.3 Test Method and Setup

- Connect test port of EUT to spectrum analyzer and universal communication tester.
- Set the EUT to transmit maximum output power at 2.4GHz and switch on frequency hopping function, then set enough count time (larger than 5000 times) to get all the hopping frequency channel displayed on the screen of spectrum analyzer.
- Count the quantity of peaks to get the number of hopping channels.

Test setup

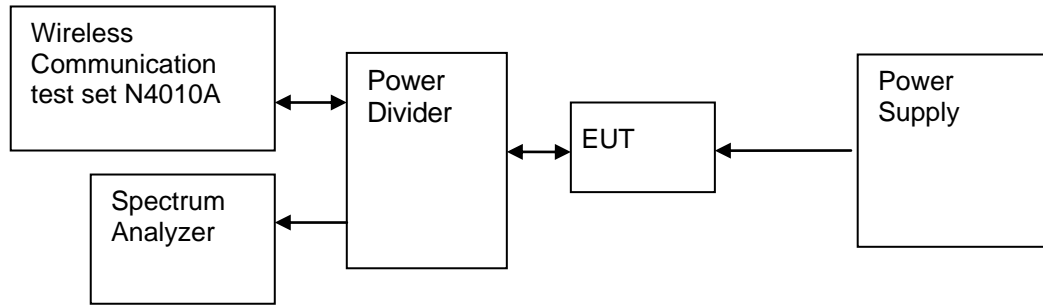


Figure 3. Test Set-up

6.3.4 Measurement Results

Table 23 Measurement Results

Measured frequency range [MHz]	Channel No. range	Measured Channel No.	Limit	Result
2400 to 2483.5	0-78	79	≥ 15	Pass

6.3.5 Conclusion

The equipment **PASSED** the requirement of this clause.
 For the measurement results refer to appendix C.



6.4 Time of occupancy

6.4.1 Test Conditions

Table 24 Test Conditions

Preconditioning:	0.5 hour
Measured at:	Antenna connector
Ambient temperature:	25°C
Relative humidity:	55%
Test Configurations:	TM1 at hopping frequency state

6.4.2 Test Specifications and Limits

6.4.2.1 Specification

CFR 47 (FCC) part 15.247 (a) (1) iii and DA 00-705

6.4.2.2 Supporting Standards

Table 25 Supporting Standards:

ANSI C63.10-2009	American National Standard for Testing Unlicensed Wireless Devices
------------------	--

6.4.2.3 Limits

The average time of occupancy on any channel shall not be greater than 0.4 seconds within a period of 0.4 seconds multiplied by the number of hopping channels employed. Frequency hopping systems may avoid or suppress transmissions on a particular hopping frequency provided that a minimum of 15 channels are used.

Table 26 Limits

Limits for time of occupancy	≤ 0.4s
------------------------------	--------

6.4.3 Test Method and Setup

- (a) Connect test port of EUT to spectrum analyzer and universal communication tester.
- (b) Set the EUT to transmit maximum output power at 2.4GHz and switch on frequency hopping function.
- (c) Set the span of spectrum analyzer to 0 Hz, and set the resolution bandwidth to 1 MHz and the video bandwidth to 1 MHz, then get the time domain measured diagram. and set sweep time to 2 times of one burst occupancy time, and measure the time of occupancy of one burst.
- (d) Set the resolution bandwidth to 1 MHz and the video bandwidth to 3 MHz, and set the sweep time to a period (0.4 seconds multiplied by the number of hopping channels employed), and count the number of the bursts.
- (e) Calculate the time of occupancy in a period with time occupancy of a burst and quantity of bursts.

Test setup

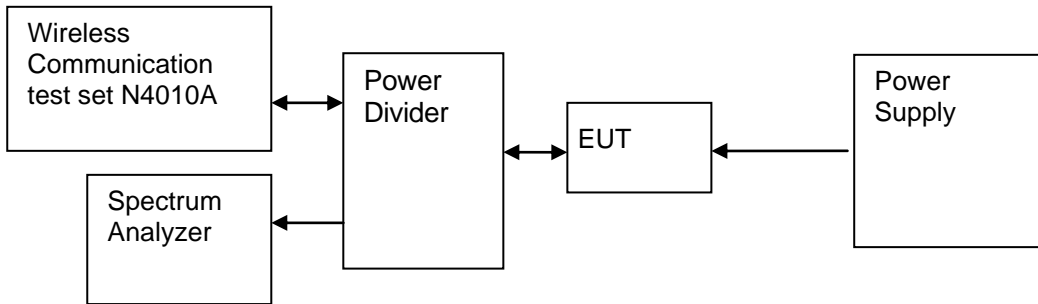


Figure 4. Test Set-up

6.4.4 Measurement Results

Table 27 Measurement Results

Time of Single Slot [ms]	Numbers of slots in a period	Time of occupied in a period [s]	Limit [s]	Result
2.9	106.7	0.30943	≤ 0.4	Pass

Note: The result is measured at DH5 mode in GFSK modulation, which has longest time in one transmission burst.

6.4.5 Conclusion

The equipment **PASSED** the requirement of this clause.
 For the measurement results refer to appendix D.



6.5 Peak output power

6.5.1 Test Conditions

Table 28 Test Conditions

Preconditioning:	0.5 hour
Measured at:	Antenna connector
Ambient temperature:	25 °C
Relative humidity:	55%
Test Configurations:	TM1 at channel No.0, 40, 78

6.5.2 Test Specifications and Limits

6.5.2.1 Specification

CFR 47 (FCC) part 15.247 (b) (1) and DA 00-705

6.5.2.2 Supporting Standards

Table 29 Supporting Standards:

ANSI C63.10-2009	American National Standard for Testing Unlicensed Wireless Devices
------------------	--

6.5.2.3 Limits

Compliance with part 15.247 (b) (1), for frequency hopping systems operating in the 2400-2483.5 MHz band employing at least 75 non-overlapping hopping channels, and all frequency hopping systems in the 5725-5850 MHz band: 1 watt. For all other frequency hopping systems in the 2400-2483.5 MHz band: 0.125 watt.

Table 30 Limits

2.4GHz and 5.8GHz hopping frequency system	1 Watt (=30 dBm)
--	------------------

6.5.3 Test Method and Setup

- (a) Connect test port of EUT to universal communication tester.
- (b) Set the EUT to transmit maximum output power at 2.4GHz and switch off frequency hopping function.
- (c) Then set the EUT to transmit at high, middle and low frequency and measure the conducted output power separately.

Test setup

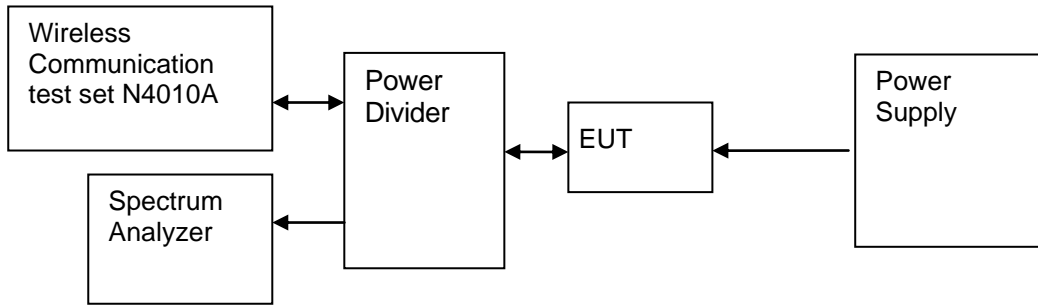


Figure 5. Test Set-up

6.5.4 Measurement Results

Table 31 Measurement Results

Channel	Channel No.	Center Freq.[MHz]	Meas. Level (Cond.) [dBm]	Limit [dBm]	Result
B	0	2402	6.45	< 30	Pass
M	40	2442	7.72	< 30	Pass
T	78	2480	7.70	< 30	Pass

6.5.5 Conclusion

The equipment **PASSED** the requirement of this clause.
 For the measurement results refer to appendix E.

6.6 Band edge spurious emission

6.6.1 Test Conditions

Table 32 Test Conditions

Preconditioning:	0.5 hour
Measured at:	Antenna connector
Ambient temperature:	25°C
Relative humidity:	55%
Test Configurations:	TM1 at channel No. 0, 78 and frequency hopping state

6.6.2 Test Specifications and Limits

6.6.2.1 Specification

CFR 47 (FCC) part 15.247 (d) and DA 00-705

6.6.2.2 Supporting Standards

Table 33 Supporting Standards:

ANSI C63.10-2009	American National Standard for Testing Unlicensed Wireless Devices
------------------	--

6.6.2.3 Limits

Compliance with part 15.247 (d), in any 100 kHz bandwidth outside the frequency band in which the spread spectrum or digitally modulated intentional radiator is operating, the radio frequency power that is produced by the intentional radiator shall be at least 20 dB below that in the 100 kHz bandwidth within the band that contains the highest level of the desired power, based on either an RF conducted or a radiated measurement, provided the transmitter demonstrates compliance with the peak conducted power limits. If the transmitter complies with the conducted power limits based on the use of RMS averaging over a time interval, as permitted under paragraph (b)(3) of this section, the attenuation required under this paragraph shall be 30 dB instead of 20 dB. Attenuation below the general limits specified in Section 15.209(a) is not required.

Table 34 Limits

Band edge spurious	20 dBc/100kHz
--------------------	---------------

6.6.3 Test Method and Setup

- (a) Connect test port of EUT to spectrum analyzer and universal communication tester
- (b) Set the EUT to transmit maximum output power at 2.4GHz and switch off frequency hopping function.
- (c) Then set the EUT to transmit at high, low frequency and measure the conducted band edge spurious separately.
- (d) Switch on the frequency hopping function, and repeat above measurement.

Test setup

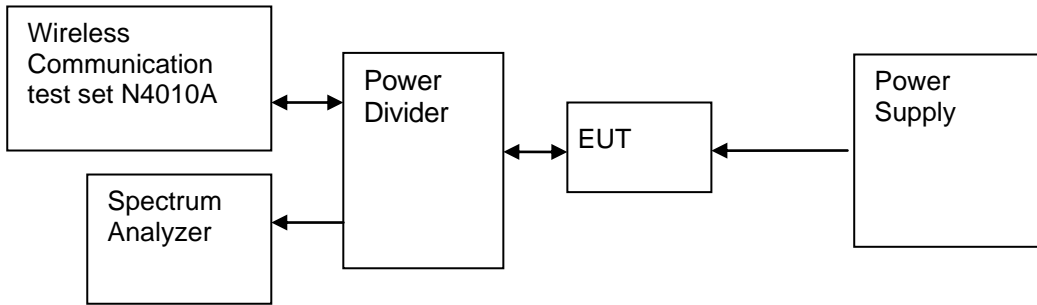


Figure 6. Test Set-up

6.6.4 Measurement Results

Table 35 Measurement Results for Band Edge immediately outside the 2.4GHz Band

	Channel No.	Carrier Frequency [MHz]	Carrier Power [dBm]	Frequency Hopping	Max. Spurious Level [dBm]	Limit [dBm]	Result
Low Edge	0	2402	6.03	Off	-53.01	-14.0	Pass
	-	-	6.02	On	-53.62	-14.0	Pass
High Edge	78	2480	7.45	Off	-52.58	-12.6	Pass
	-	-	7.30	On	-54.09	-12.7	Pass

6.6.5 Conclusion

The equipment **PASSED** the requirement of this clause.
 For the measurement results refer to appendix F.

6.7 Conducted RF spurious

6.7.1 Test Conditions

Table 36 Test Conditions

Preconditioning:	0.5 hour
Measured at:	Antenna connector
Ambient temperature:	25 °C
Relative humidity:	55%
Test Configurations:	TM1 at channel No.0, 40, 78

6.7.2 Test Specifications and Limits

6.7.2.1 Specification

CFR 47 (FCC) part 15.247 (d) and DA 00-705

6.7.2.2 Supporting Standards

Table 37 Supporting Standards:

ANSI C63.10-2009	American National Standard for Testing Unlicensed Wireless Devices
------------------	--

6.7.2.3 Limits

Compliance with part 15.247 (d), in any 100 kHz bandwidth outside the frequency band in which the spread spectrum or digitally modulated intentional radiator is operating, the radio frequency power that is produced by the intentional radiator shall be at least 20 dB below that in the 100 kHz bandwidth within the band that contains the highest level of the desired power, based on either an RF conducted or a radiated measurement, provided the transmitter demonstrates compliance with the peak conducted power limits. If the transmitter complies with the conducted power limits based on the use of RMS averaging over a time interval, as permitted under paragraph (b)(3) of this section, the attenuation required under this paragraph shall be 30 dB instead of 20 dB. Attenuation below the general limits specified in Section 15.209(a) is not required.

Table 38 Limits

Band edge spurious	20 dBc/100kHz
--------------------	---------------

6.7.3 Test Method and Setup

- (a) Connect test port of EUT to spectrum analyzer and universal communication tester
- (b) Set the EUT to transmit maximum output power at 2.4GHz and switch off frequency hopping function.
- (c) Then set the EUT to transmit at high, middle and low frequency and measure the conducted band edge spurious separately.
- (d) Switch on the frequency hopping function, and repeat above measurement.

Test setup

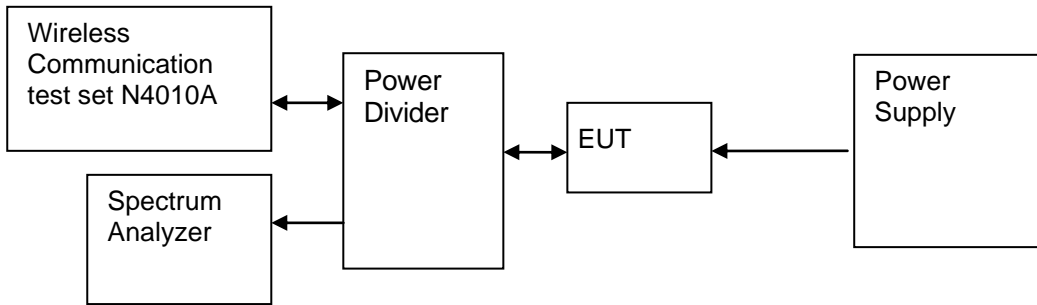


Figure 7. Test Set-up

6.7.4 Measurement Results

Table 39 Measurement Results

Test Frequency Range	Channel No.	Carrier Frequency [MHz]	Carrier Power [dBm]	Frequency Hopping	Max. Spurious Level [dBm]	Limit [dBm]	Result
9kHz-25GHz	0	2402	5.34	Off	-40.85	-14.7	Pass
9kHz-25GHz	40	2442	6.81	Off	-43.41	-13.2	Pass
9kHz-25GHz	78	2480	6.32	Off	-46.38	-13.7	Pass

6.7.5 Conclusion

The equipment **PASSED** the requirement of this clause.
 For the measurement results refer to appendix G.

6.8 Radiated spurious emission & spurious in restricted band

6.8.1 Test Conditions

Table 40 Test Conditions

Preconditioning:	0.5 hour
Measured at:	Enclosure
Ambient temperature:	25 °C
Relative humidity:	55 %
Test Configurations:	TM1 at channel No.0, 40, 78

6.8.2 Test Specifications and Limits

6.8.2.1 Specification

CFR 47 (FCC) part 15.247 (d), 15.205 & 15.209 and DA 00-705

6.8.2.2 Supporting Standards

Table 41 Supporting Standards:

ANSI C63.10-2009	American National Standard for Testing Unlicensed Wireless Devices
------------------	--

6.8.2.3 Limits

According to part 15.247 (d) / 15.205 & 15.209, all spurious emission in the frequency range from 30MHz to 10th harmonics of carrier frequency should be meet the requirement of following table.

Table 42 Limits

Frequency (MHz)	Field Strength (μV/m)	Field Strength (dBμV/m)	Measurement Distance (meters)	Detector
30 - 88	100	40	3	QP
88 - 216	150	43.5	3	QP
216 - 960	200	46	3	QP
960 -1000	500	54	3	QP
Above 1000	500	54	3	AV
Above 1000	500	74	3	PK

In addition, radiated emissions which fall in the restricted bands, as defined in Section 15.205(a), also should comply with the radiated emission limits specified in Section 15.209(a) (see above table).

6.8.3 Test Method and Setup

The test site semi-anechoic chamber has met the requirement of NSA tolerance 4dB according to the standards: ANSI C63.10 (2009). The EUT was set-up on insulator 80cm above the Ground Plane. The set-up and test methods were according to ANSI C63.10:2009.The Radiated Disturbance measurements were made using a Rohde and Schwarz Test Receiver and control software. A preliminary scan and a final scan of the emissions were made by using test script of software; the

emissions were measured using a Quasi-Peak Detector below 1GHz, Peak Detector and AV detector above 1GHz. The maximal emission value was acquired by adjusting the antenna height, polarisation and turntable azimuth in accordance with the software setup. Normally, the height range of antenna was 1m to 4m, the azimuth range of turntable was 0°to 360°, The receive antenna has two polarizations V and H.

A portable or small unlicensed wireless device shall be placed on a non-metallic test fixture or other nonmetallic support during testing. The supporting fixture shall permit orientation of the EUT in each of three orthogonal (x, y, z axes) axis positions such that emissions from the EUT are maximized.

The EUT was communicated with the BTS simulator through Air interface. The EUT transmits maximum output power at 2.4GHz and switch off frequency hopping function.

Measurement bandwidth: 30 MHz - 1000 MHz: 120 kHz

Measurement bandwidth: 1000 MHz - 10th Carrier Frequency: 1 MHz

Test set up

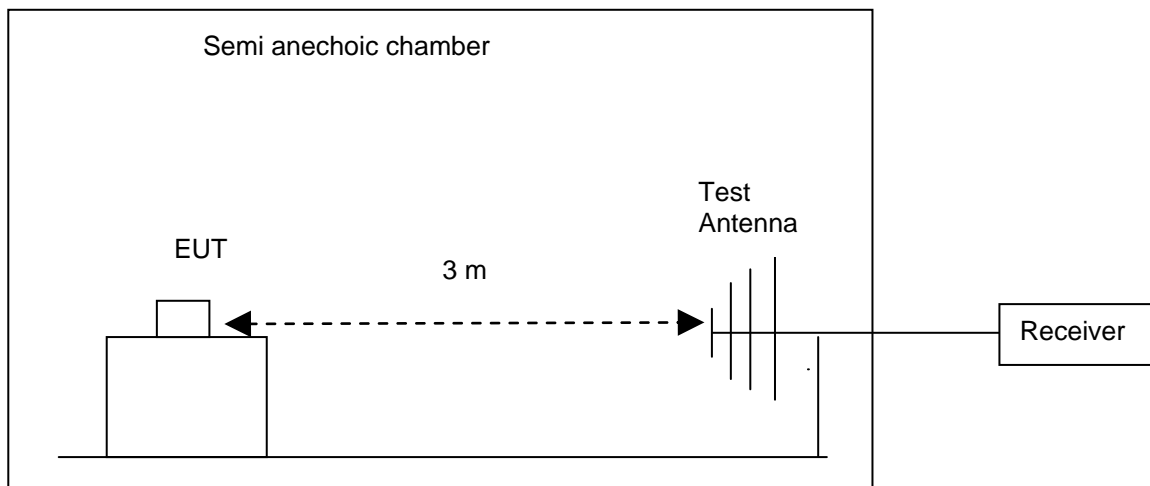


Figure 8. Test Set up

6.8.4 Measurement Results

Note 1: The following measurement results exceed the limit line is the carrier frequency.

Note 2: This test was carried out in all the test modes, here only the worst test result was shown.

Test Frequency Range	Channel No.	Carrier Frequency [MHz]	Measured	Result
30MHz-26.5GHz	0	2402	Refer to Appendix H	Pass
30MHz-26.5GHz	40	2442	Refer to Appendix H	Pass
30MHz-26.5GHz	78	2480	Refer to Appendix H	Pass

6.8.5 Conclusion

The equipment **PASSED** the requirement of this clause.

For the measurement results refer to appendix H.

6.9 Conducted Emission at Power Port

6.9.1 Test Conditions

Table 43 Test Conditions

Preconditioning:	0.5 hour
Measured at:	Power port
Ambient temperature:	25°C
Relative humidity:	55 %
Test Configurations:	TM1 at channel No. 40

6.9.2 Test Specifications and Limits

6.9.2.1 Specification

CFR 47 (FCC) part 15.207 and DA 00-705

6.9.2.2 Supporting Standards

Table 44 Supporting Standards:

ANSI C63.10-2009	American National Standard for Testing Unlicensed Wireless Devices
------------------	--

6.9.2.3 Limits

Compliance with part15.207, conducted emission must meet the requirement of following table.

Table 45 Limits

Frequency of Emission (MHz)	Conducted Limit (dBμV)	
	Quasi-peak	Average
0.15-0.5	66 to 56 *	56 to 46 *
0.5-5	56	46
5-30	60	50

Note: * Decreases with the logarithm of the frequency.

6.9.3 Test Method and Setup

The Table-top EUT was placed upon a non-metallic table 0.8 m above the horizontal metal reference ground plane. EUT was connected to LISN and LISN was connected to reference Ground Plane. EUT was 80cm from LISN. The set-up and test methods were according to ANSI C63.10: 2009.

Conducted Disturbance at AC Port measurements were undertaken on the L and N Lines. The emissions were measured using a Quasi-Peak Detector and Average Detector.

The EUT was communicated with the BTS simulator through Air interface, the BTS simulator controls the EUT to transmitter the maximum power which defined in specification of product. The EUT operated on the typical channel.

Measurement bandwidth (RBW) for 150kHz to 30 MHz: 9 kHz;

Test Set-up

The EUT was setup in the screened chamber and operated under nominal conditions.

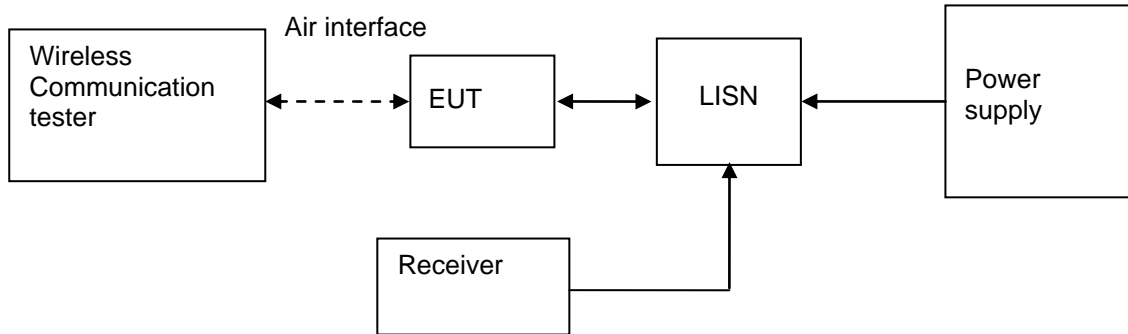


Figure 9. Test Set-up

6.9.4 Measurement Results

Table 46 MEASUREMENT RESULT:QP DECTER

Frequency MHz	Level dBμV	Transd dB	Limit dBμV	Margin dB	Line	PE
0.177292	42.2	9.7	64.6	22.4	L1	FLO
0.194160	45.3	9.7	63.9	18.6	L1	FLO
0.195738	44.9	9.7	63.8	18.9	L1	FLO
0.314854	29.9	9.7	59.8	29.9	N	FLO
1.798642	31.0	9.7	56.0	25.0	L1	FLO
2.043341	28.4	9.7	56.0	27.6	L1	FLO

Table 47 MEASUREMENT RESULT:AV DECTER

Frequency MHz	Level dBμV	Transd dB	Limit dBμV	Margin dB	Line	PE
0.194632	30.6	9.7	53.8	23.2	L1	FLO
0.194720	24.0	9.7	53.8	29.8	N	FLO
0.341306	22.7	9.7	49.2	26.5	L1	FLO
0.774866	24.3	9.7	46.0	21.7	N	FLO
1.355989	22.5	9.7	46.0	23.5	N	FLO
1.792526	23.4	9.7	46.0	22.6	N	FLO

6.9.5 Conclusion

The equipment **PASSED** the requirement of this clause.
 For the measurement results refer to appendix I.



7 System Measurement Uncertainty

For a 95% confidence level, the measurement expanded uncertainties for defined systems, in accordance with the recommendations of ISO 17025 as following:

Table 48 System Measurement Uncertainty

Items		Extended Uncertainty
20dB bandwidth measurement	Magnitude (%)	U=0.2%; k=2
Carrier frequency separation measurement	Magnitude (%)	U=0.2%; k=2
Time of occupancy	Magnitude (%)	U=0.2%; k=2
Peak output power	Power(dBm)	U=0.39dB; k=2
Band edge compliance measurement	Disturbance Power(dBm)	U= 2.0dB; k=2
Conducted RF spurious	Disturbance Power(dBm)	U= 2.0dB; k=2
Radiated spurious emission & Radiated restricted band measurement	Field strength (dB μ V/m)	U=2.2dB; k=2 U=5dB; k=2
Conducted emission test for power port	Disturbance Voltage(dB μ V)	U=4dB; k=2



8 Appendices List

Appendix A	Measurement Results Bandwidth measurement
Appendix B	Measurement Results Carrier frequency separation measurement
Appendix C	Measurement Results Number of hopping channel
Appendix D	Measurement Results Time of occupancy
Appendix E	Measurement Results Peak output power
Appendix F	Measurement Results Band edge compliance measurement
Appendix G	Measurement Results Conducted RF spurious
Appendix H	Measurement Results Radiated spurious emission
Appendix I	Measurement Results Conducted emission test for power port
Appendix J	Photos of Test Setup

----- End of Report -----



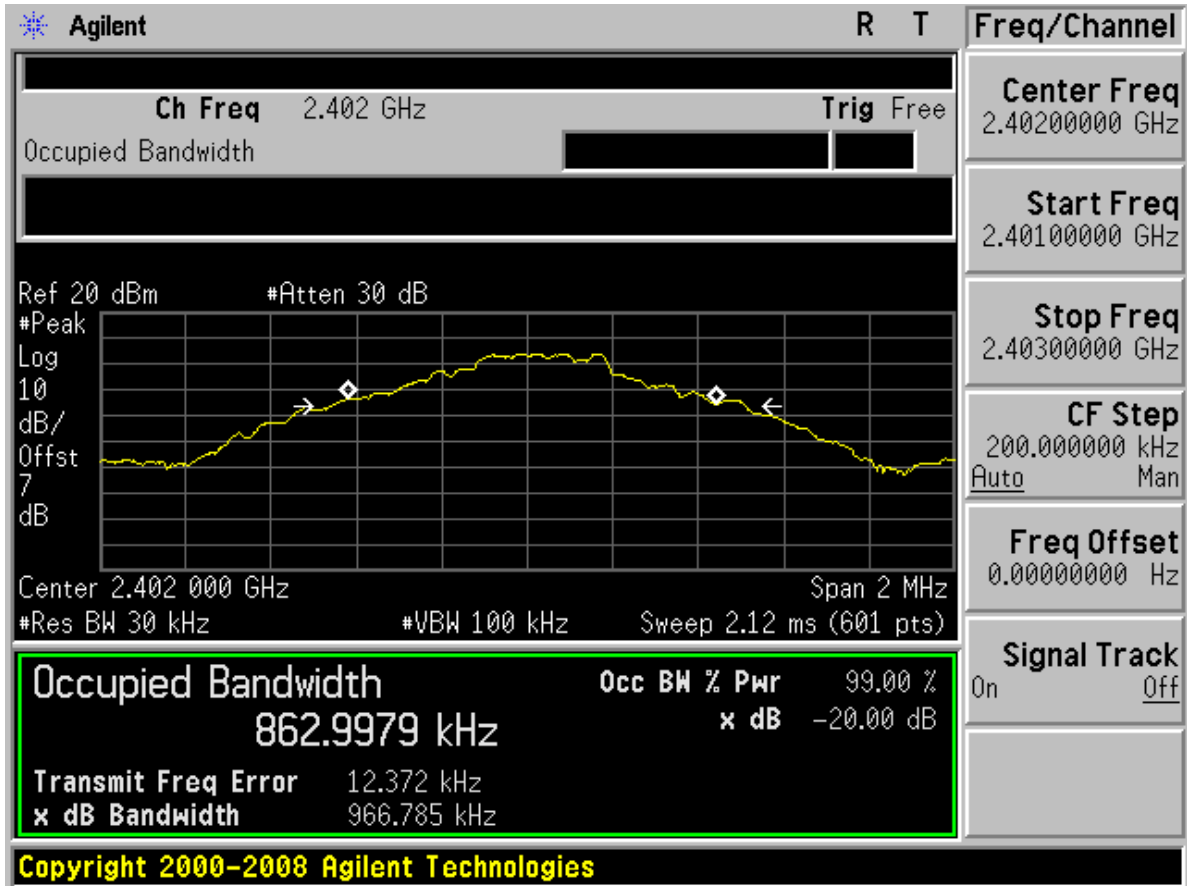
Appendix A

Bandwidth measurement

According to FCC Part 15.247 (a) (1)

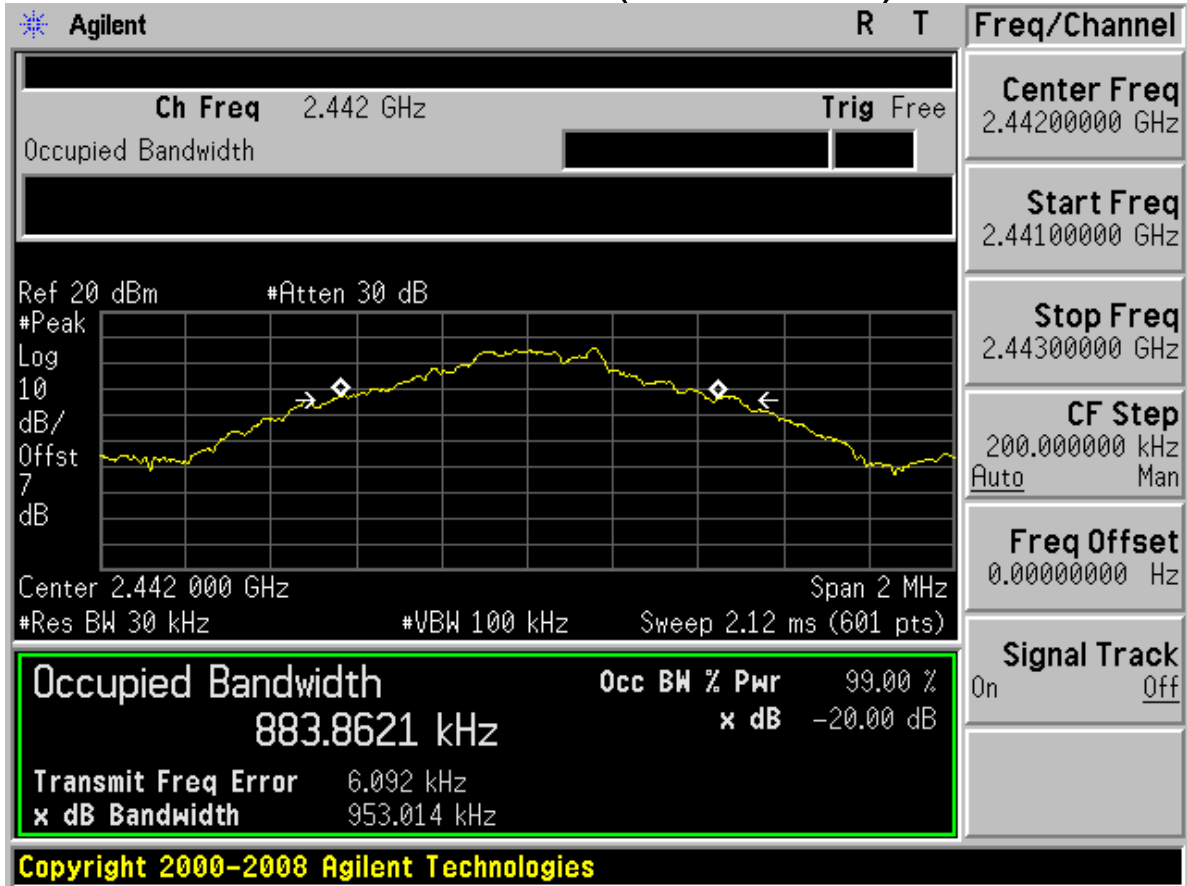


Channel 0 (2402MHz)



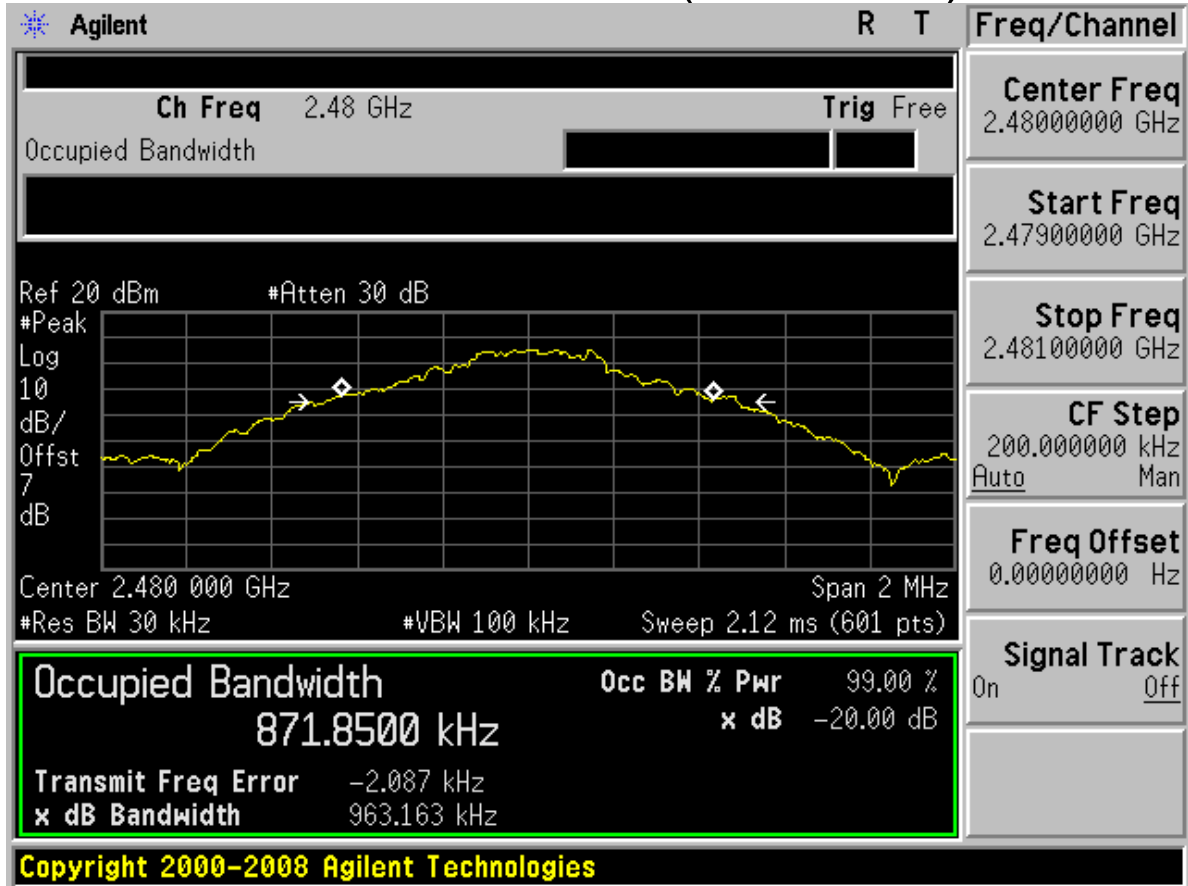


Channel 40 (2442MHz)





Channel 78 (2480MHz)



-----The END-----



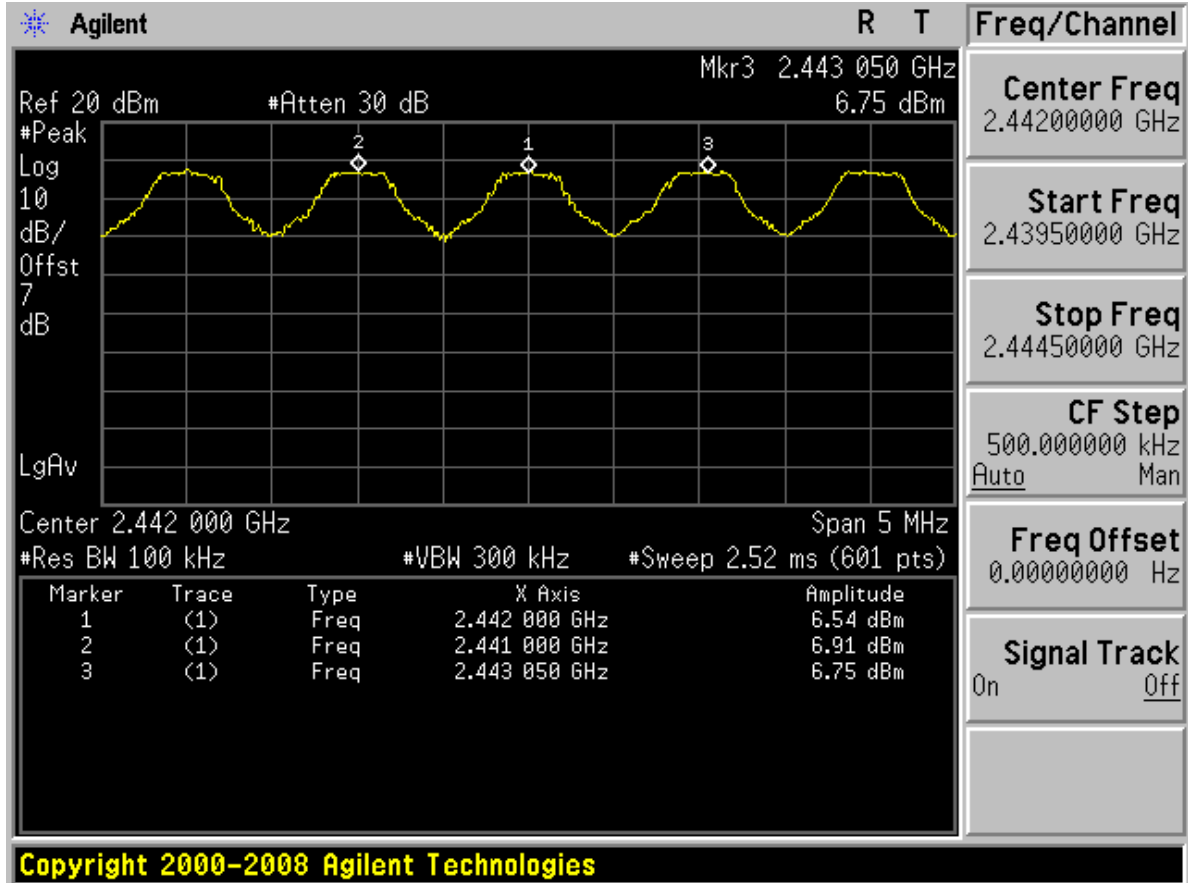
Appendix B

Carrier frequency separation measurement

According to FCC Part 15.247 (a) (1)



Centred at Channel 40



-----The END-----



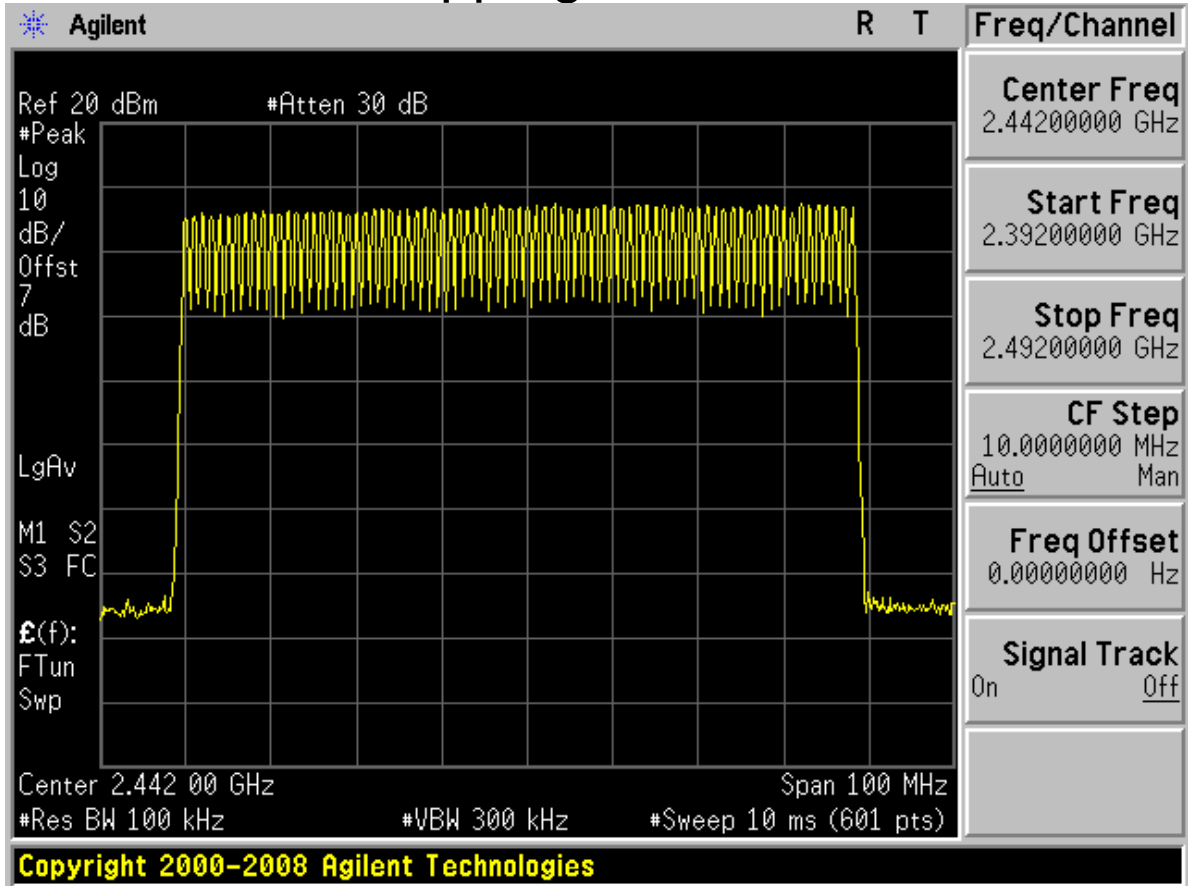
Appendix C

Number of hopping channel

According to FCC Part 15.247 (a) (1) iii



Total hopping channels = 79



-----The END-----



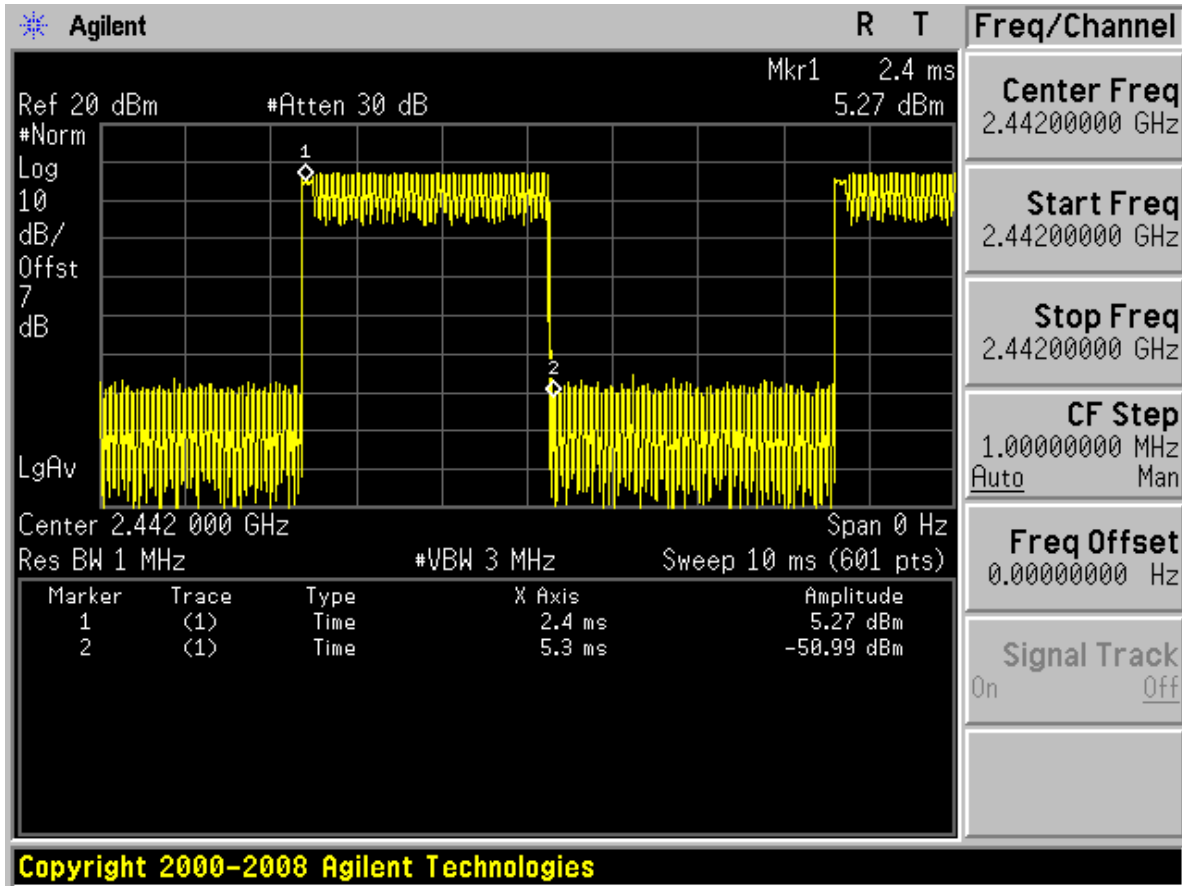
Appendix D

Time of occupancy

According to FCC Part 15.247 (a) (1) iii

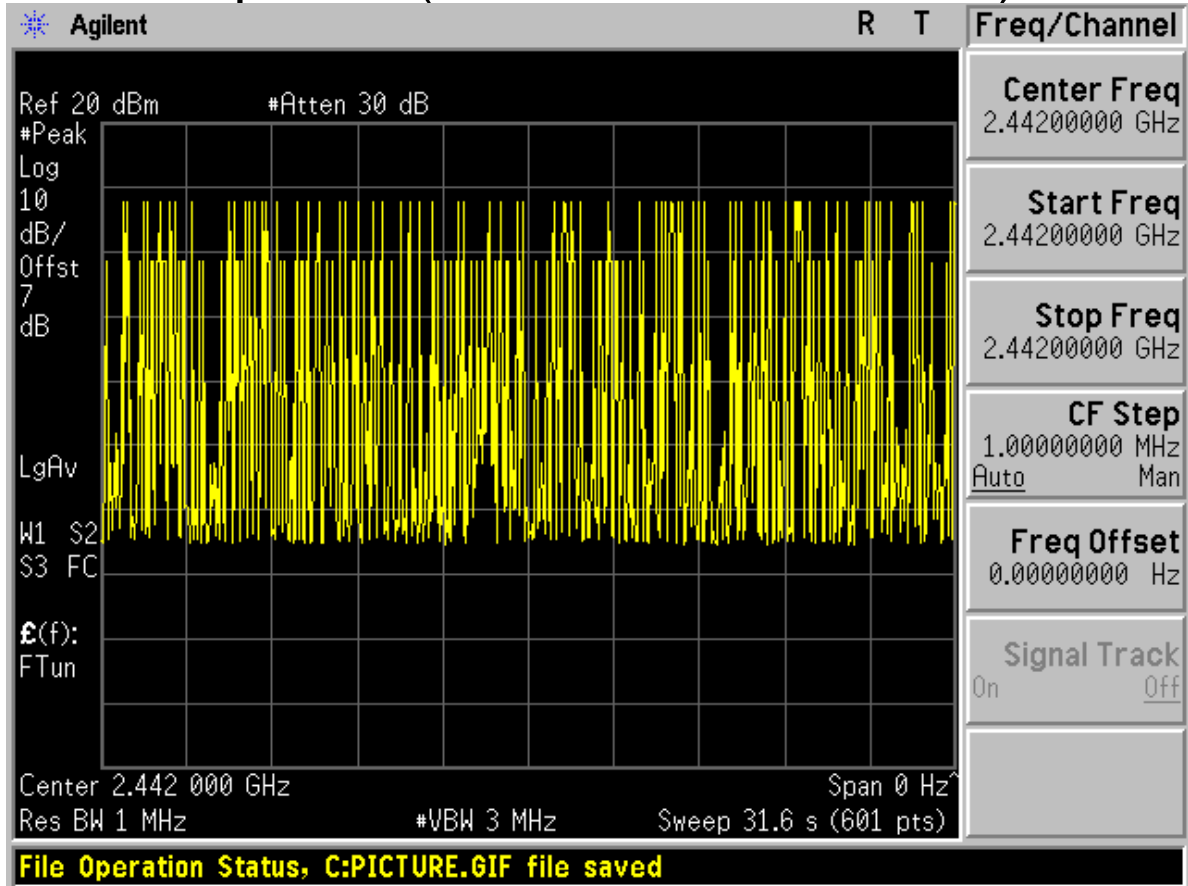


A burst (One time slot)





A period (Less than 106.7 burst)



-----The END-----



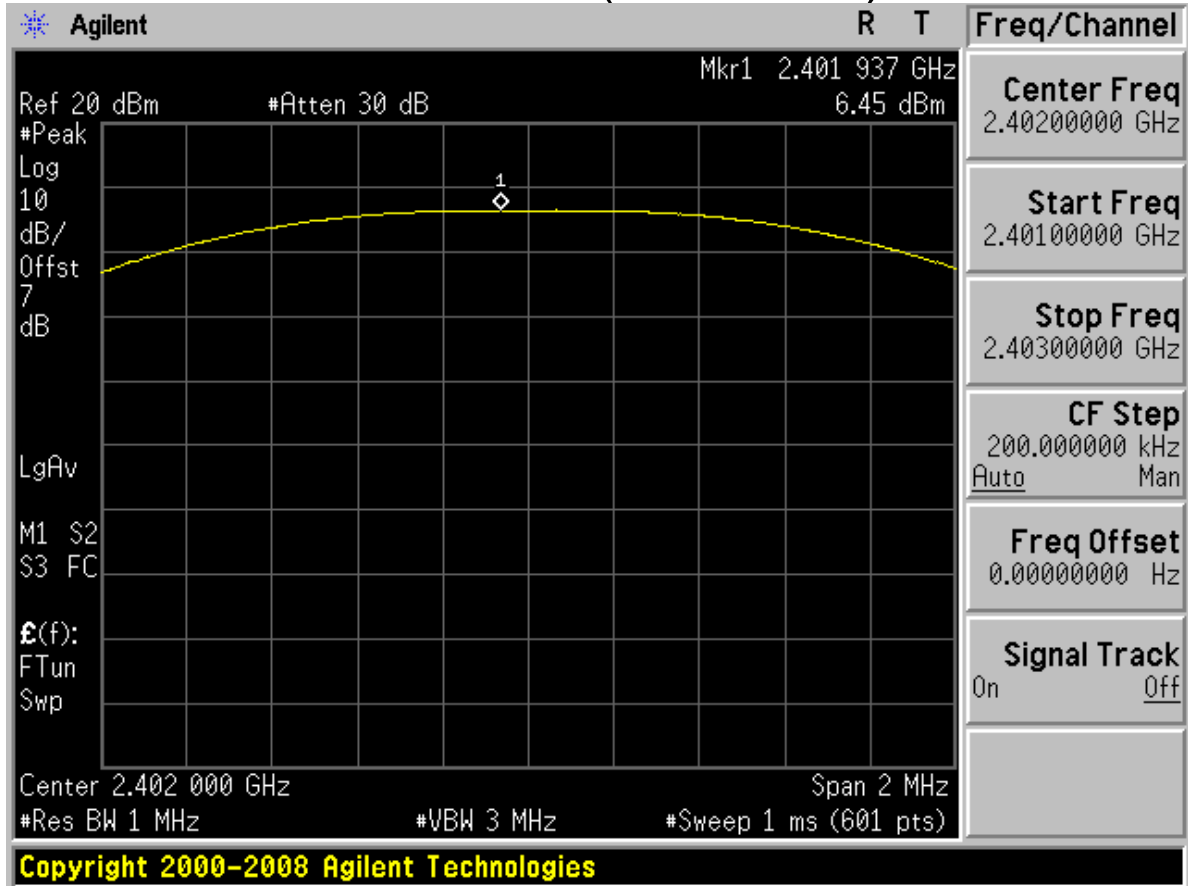
Appendix E

Peak output power

According to FCC Part 15.247 (b) (1)

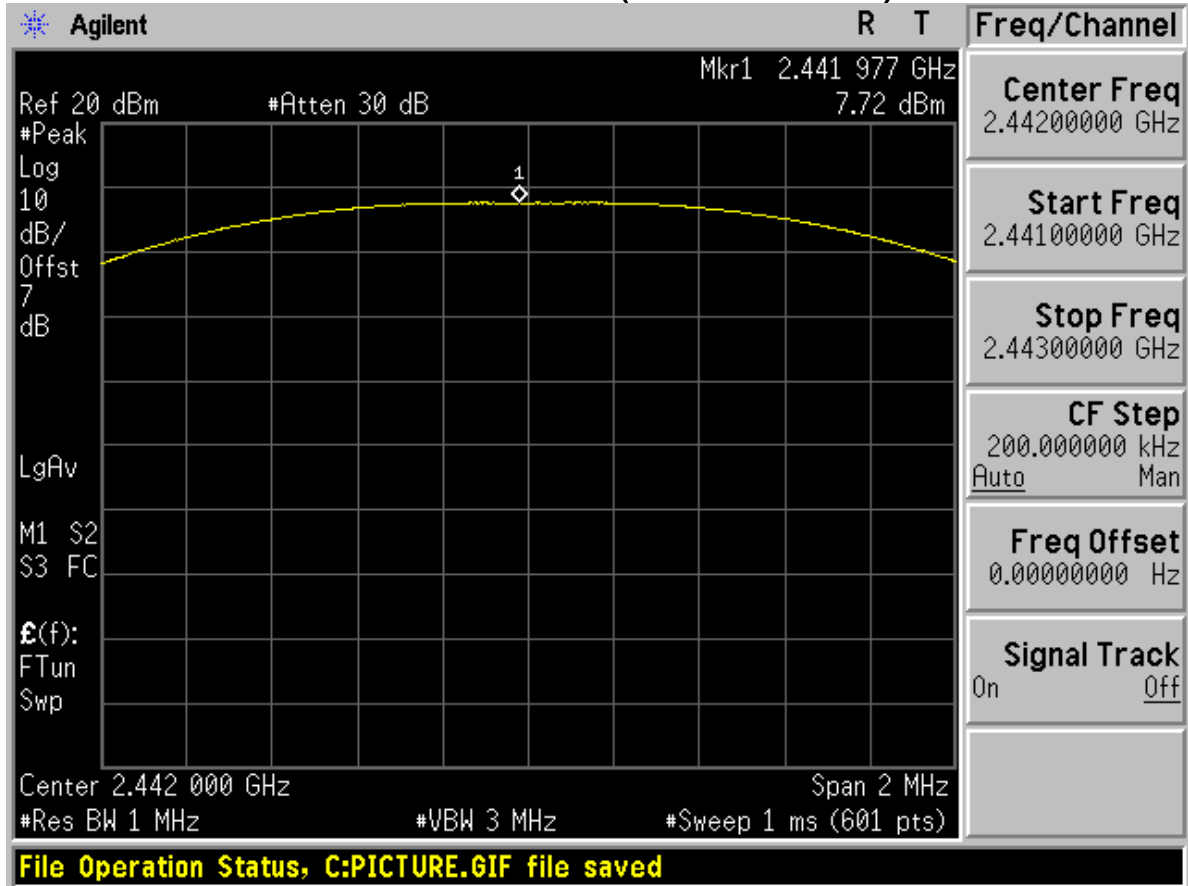


Channel 0 (2402MHz)



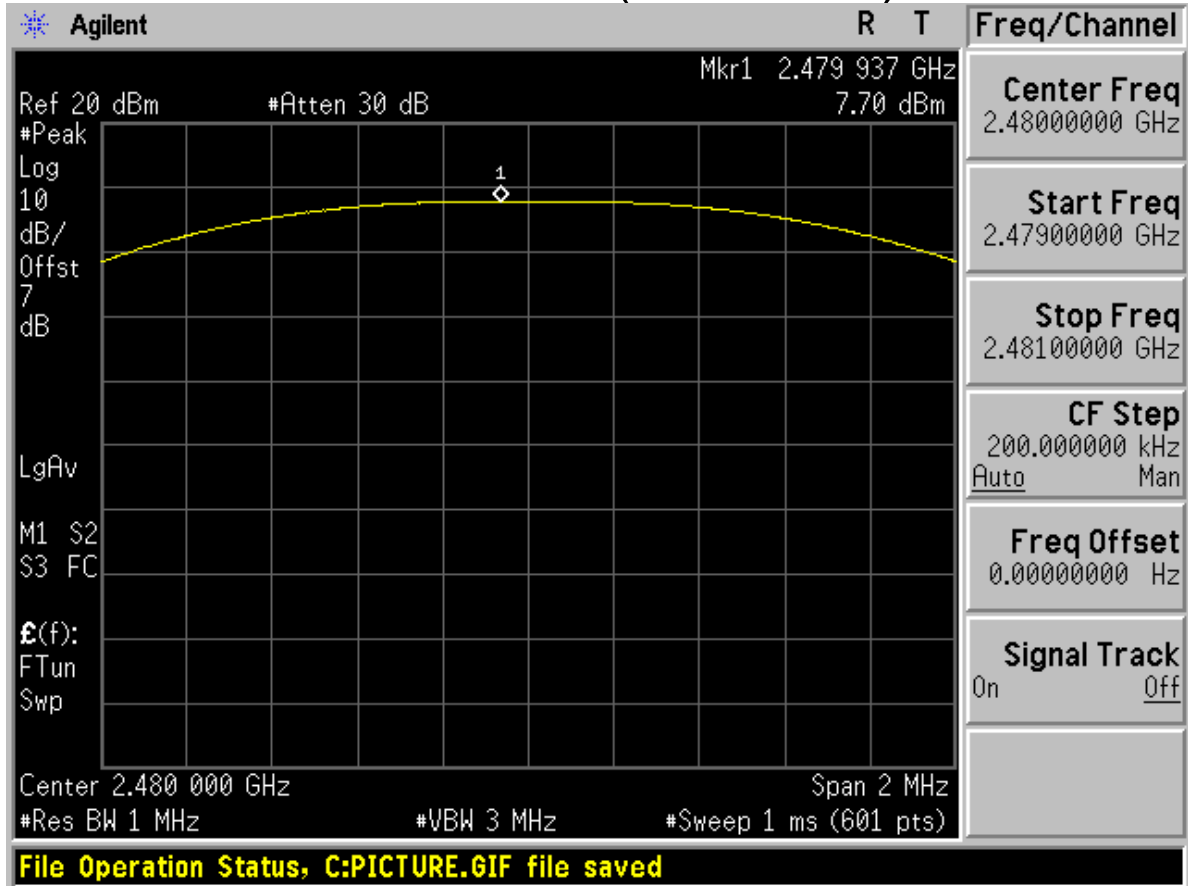


Channel 40 (2442MHz)





Channel 78 (2480MHz)



-----The END-----



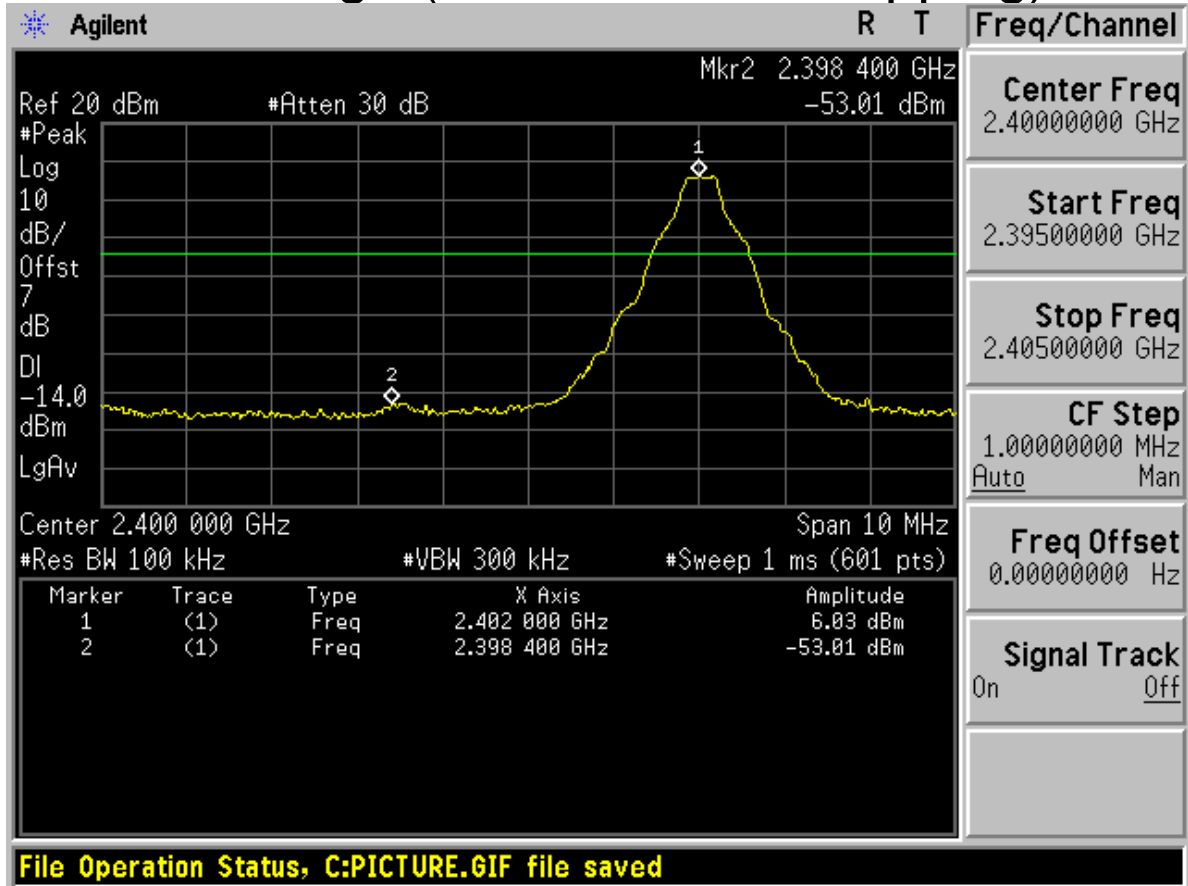
Appendix F

Band edge spurious emission

According to FCC Part 15.247 (d)

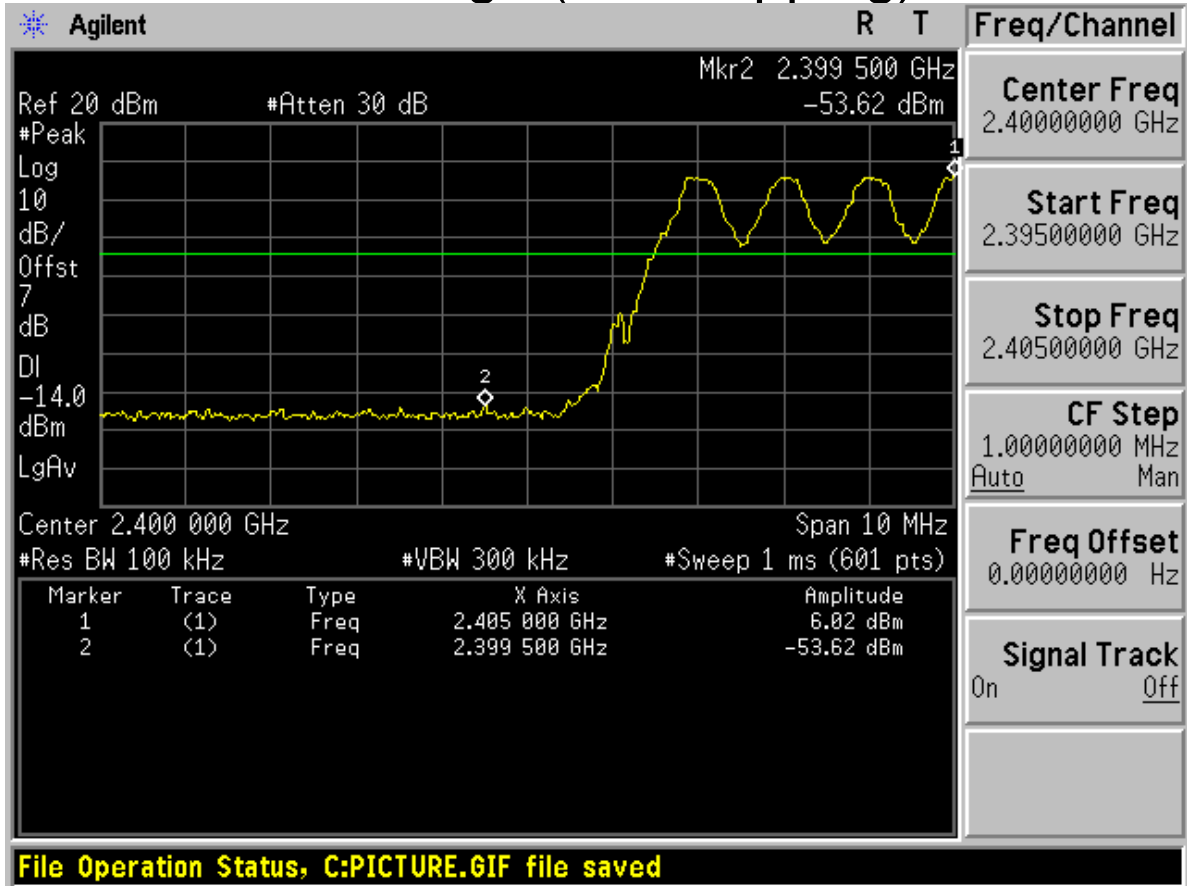


Low edge (Channel 0, no hopping)



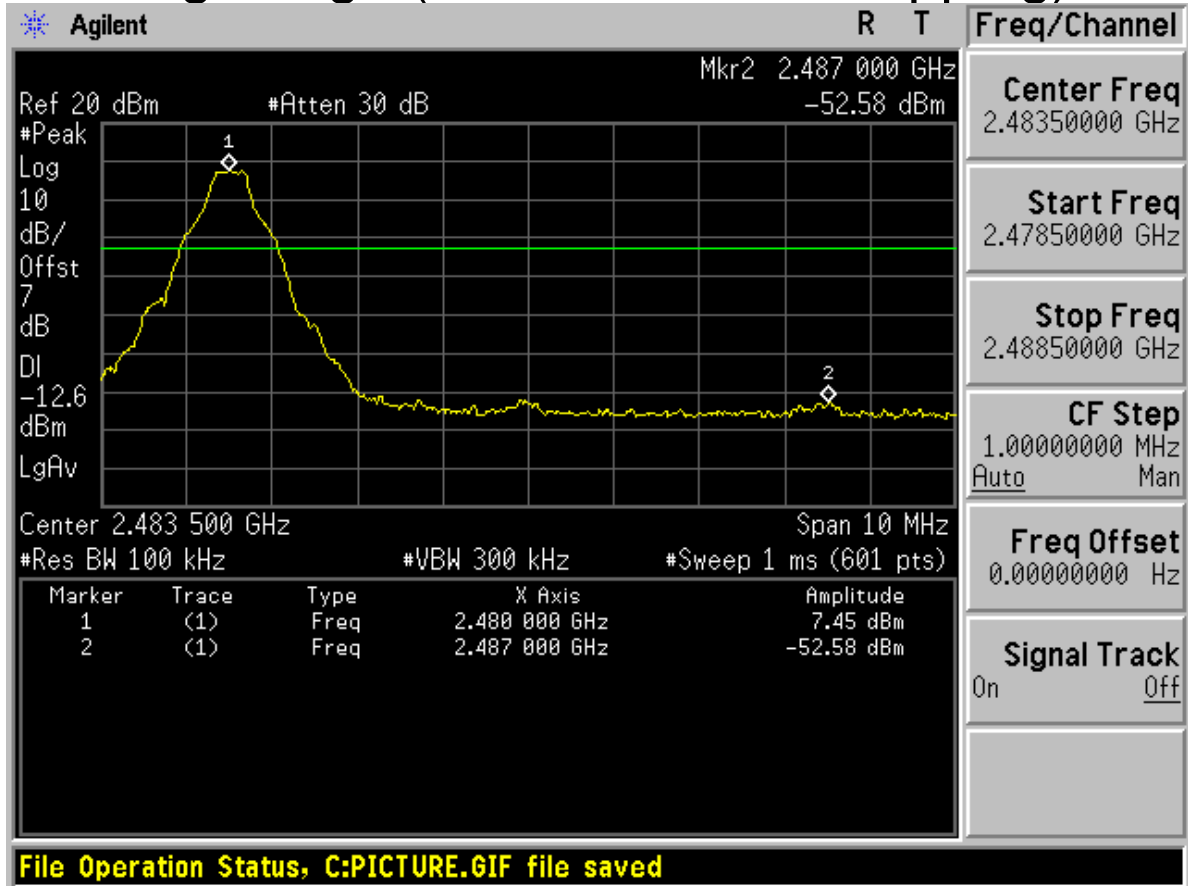


Low edge (with hopping)



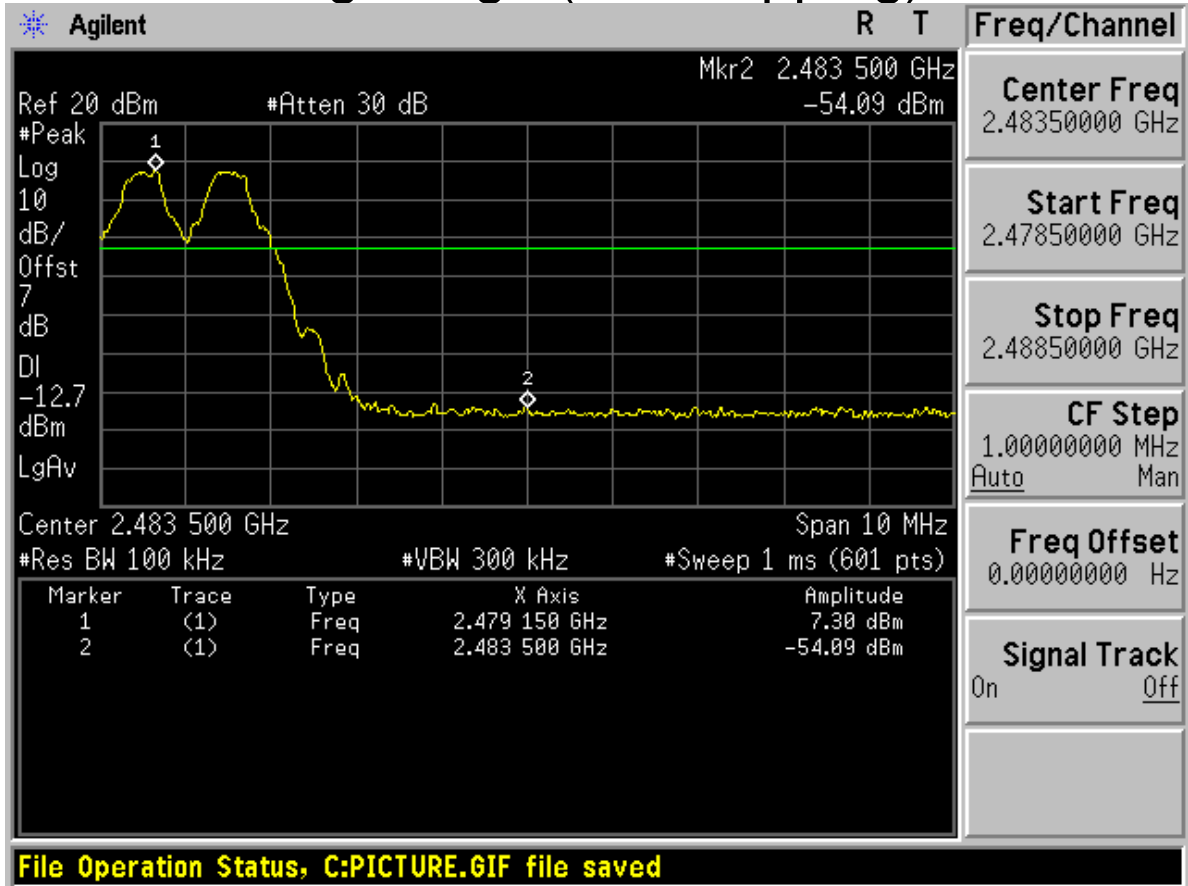


High edge (Channel 78, no hopping)





High edge (with hopping)



-----The END-----



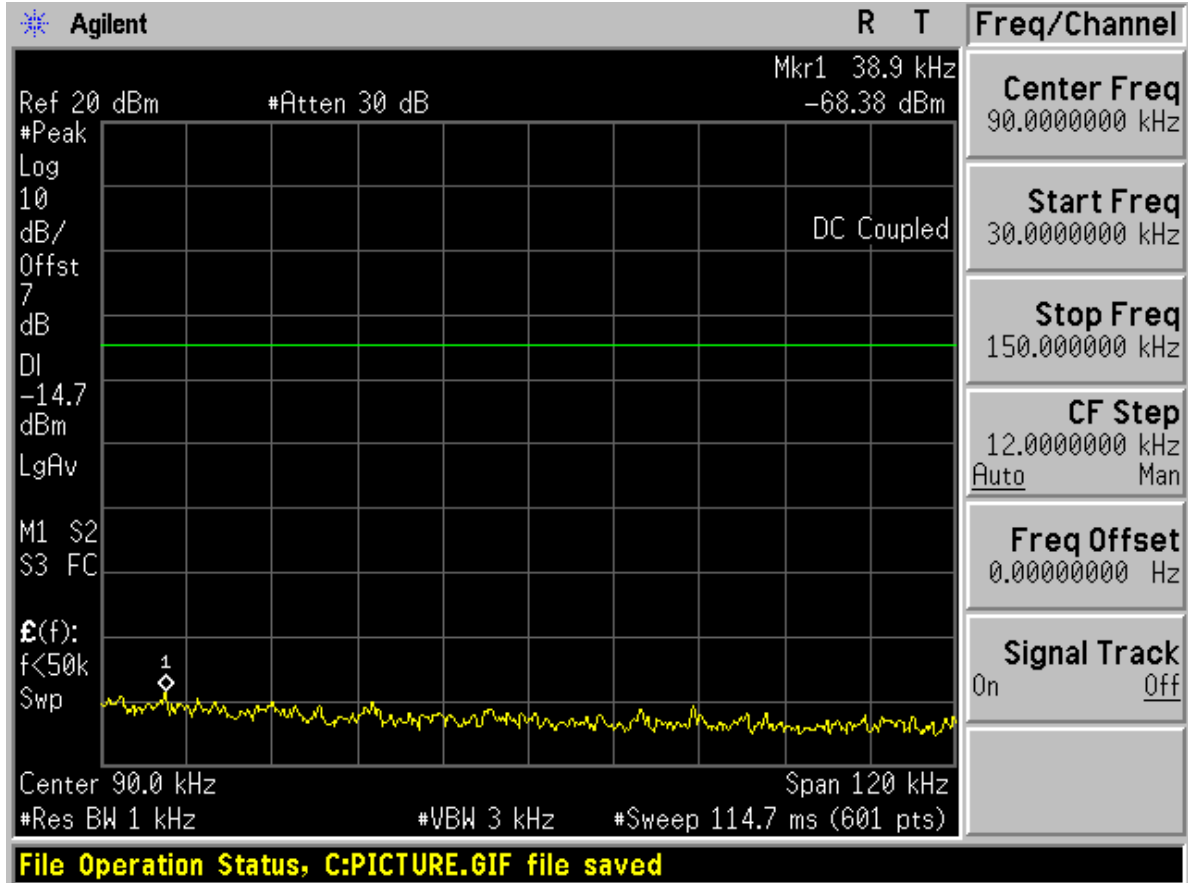
Appendix G

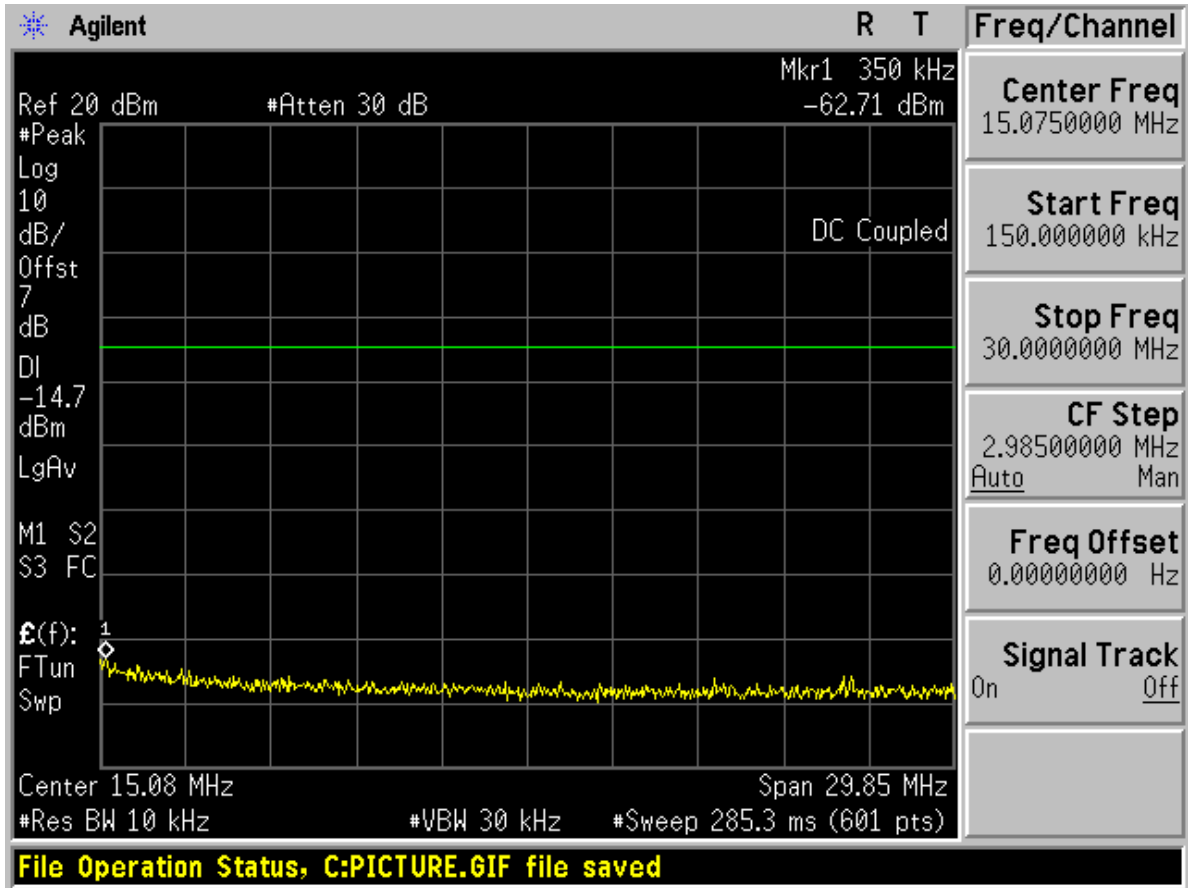
Conducted RF spurious

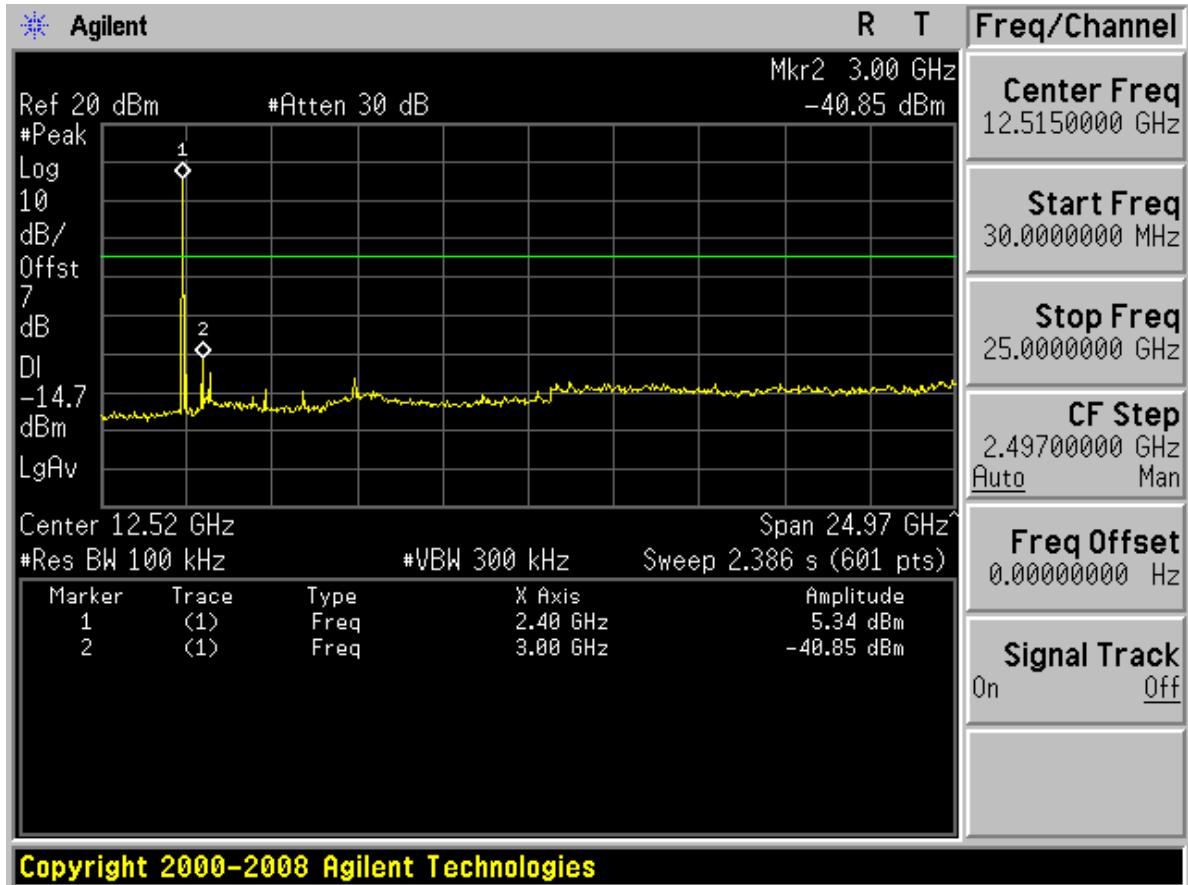
According to FCC Part 15.247 (d)



Channel 0

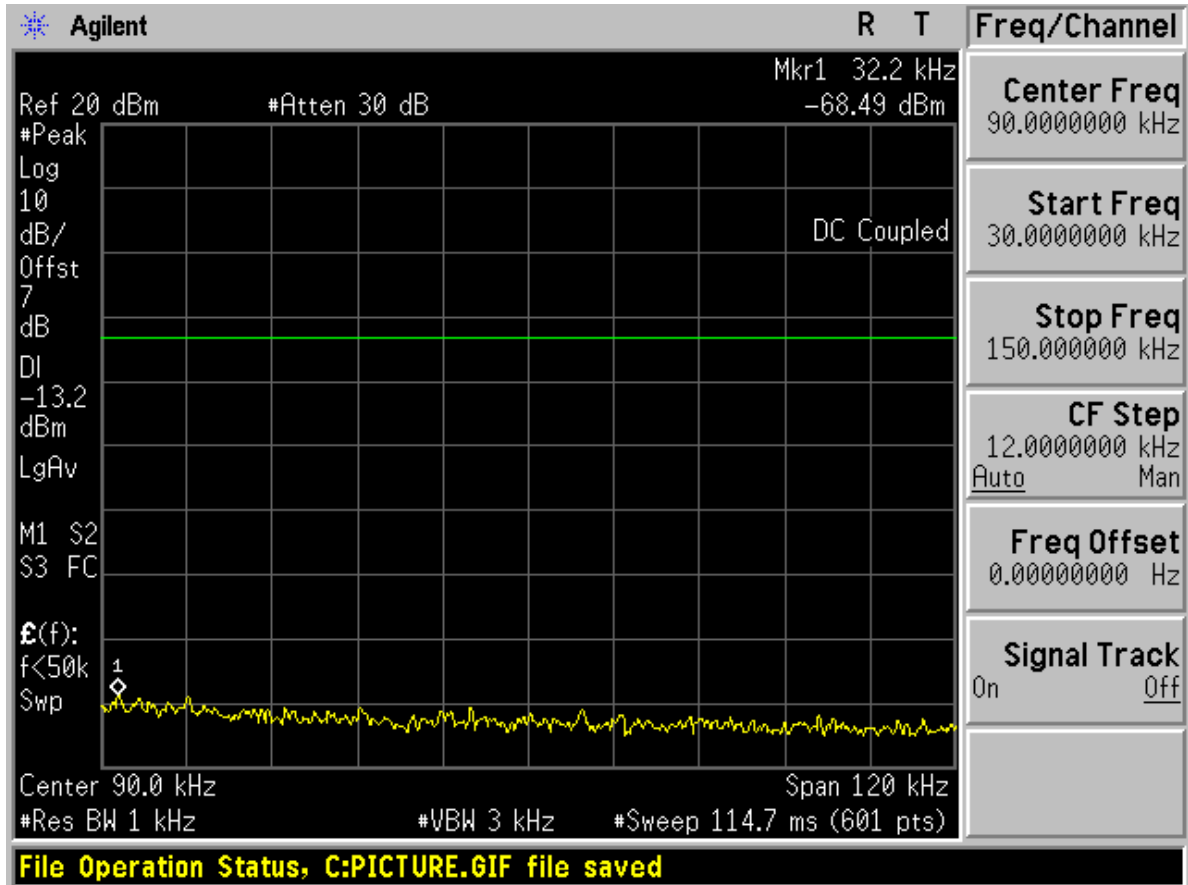


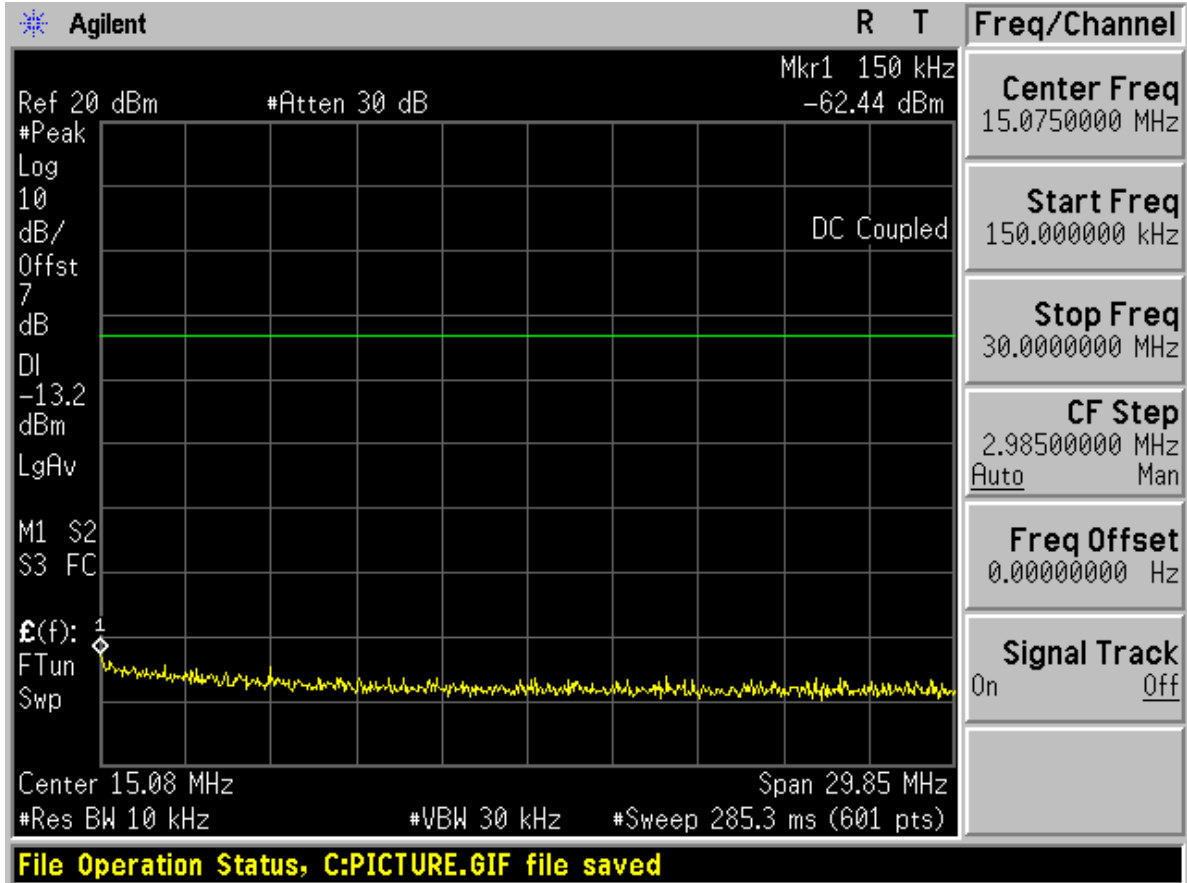


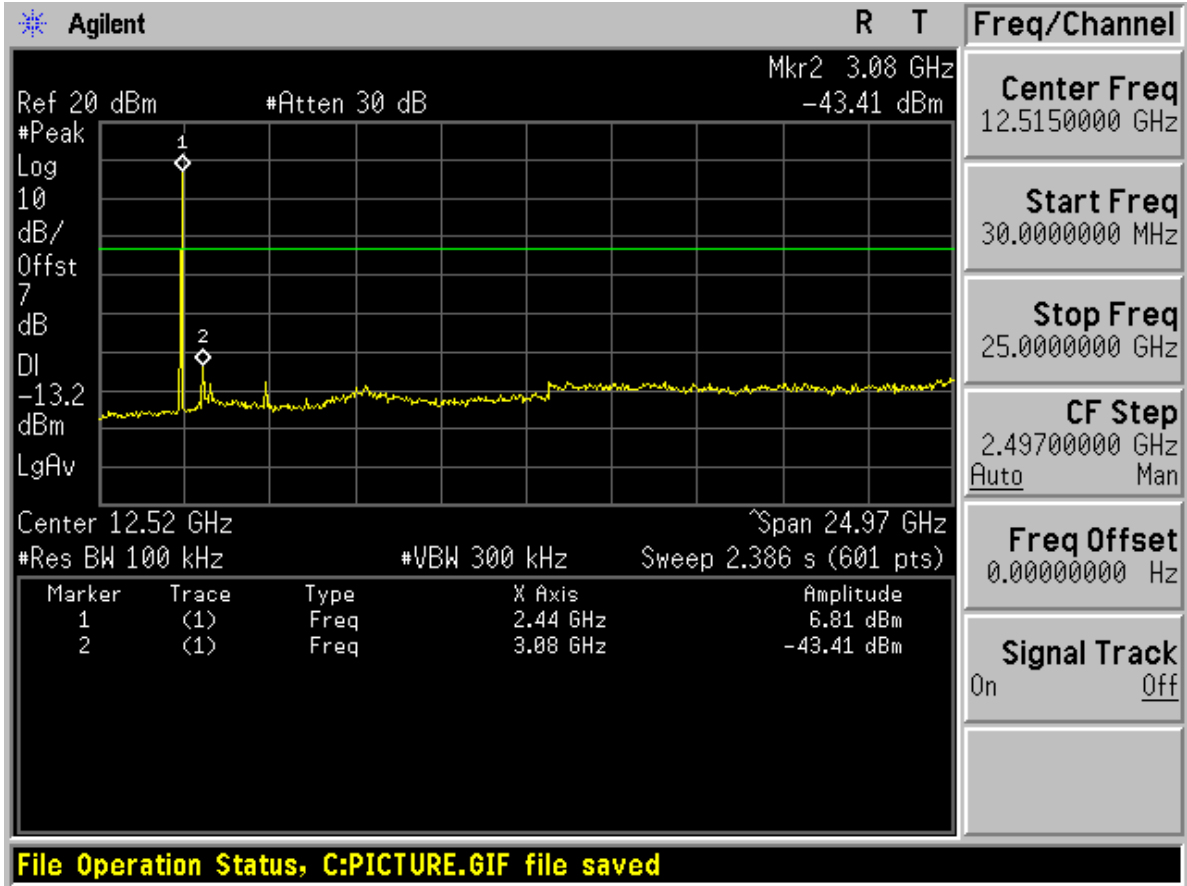




Channel 40

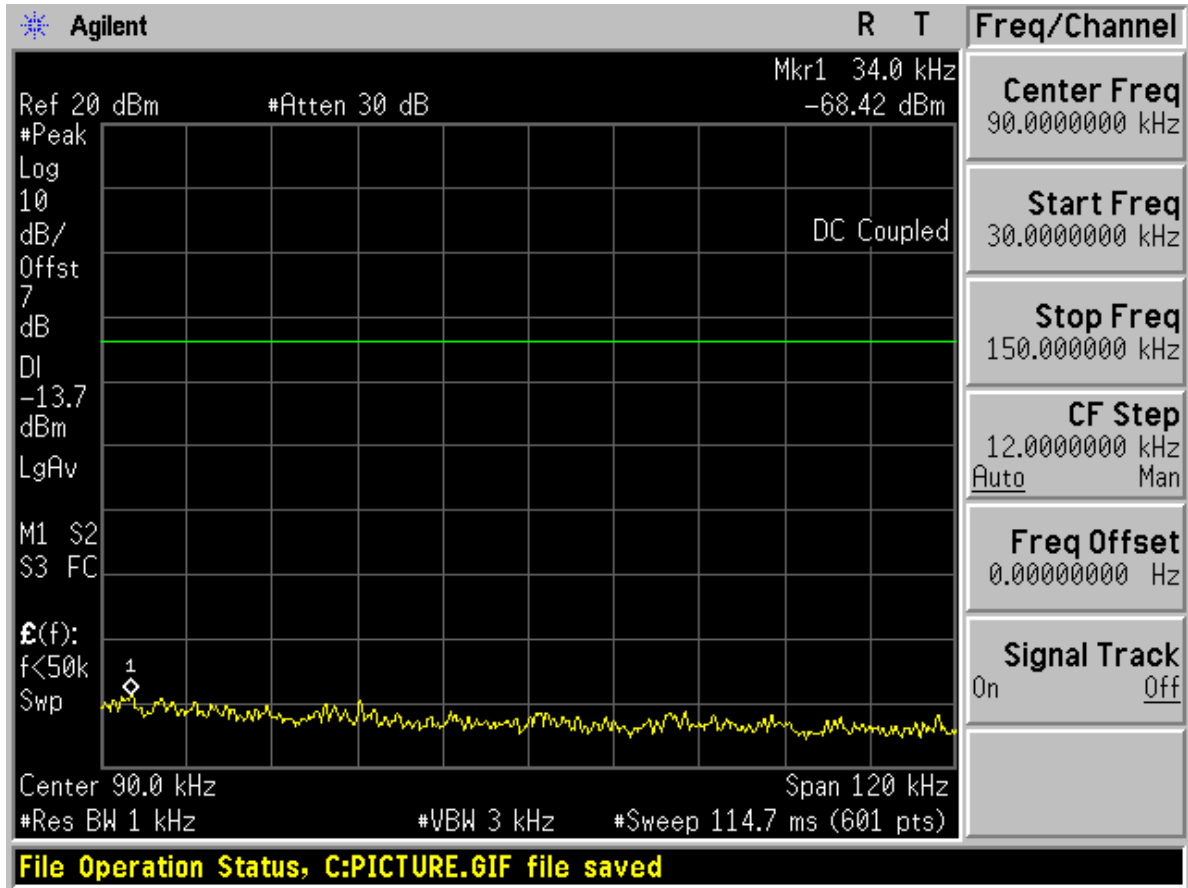


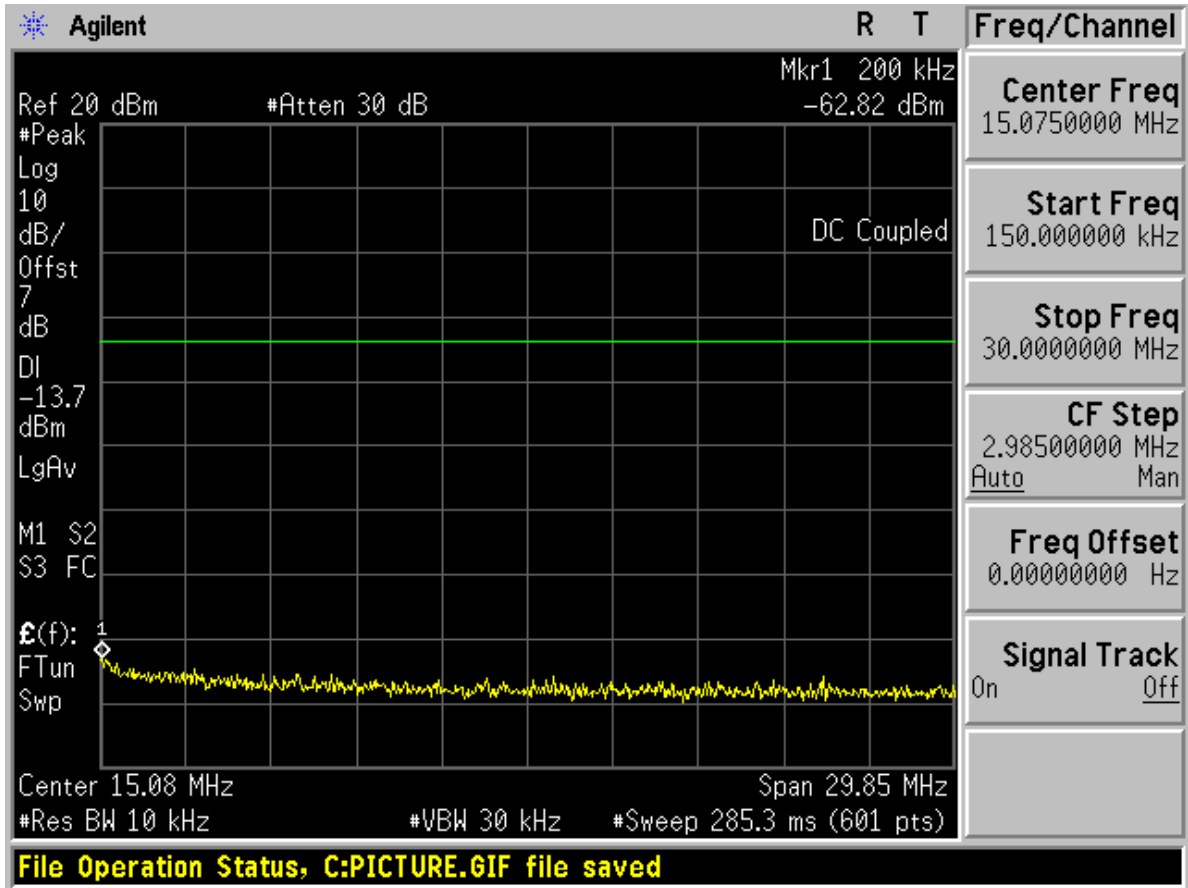


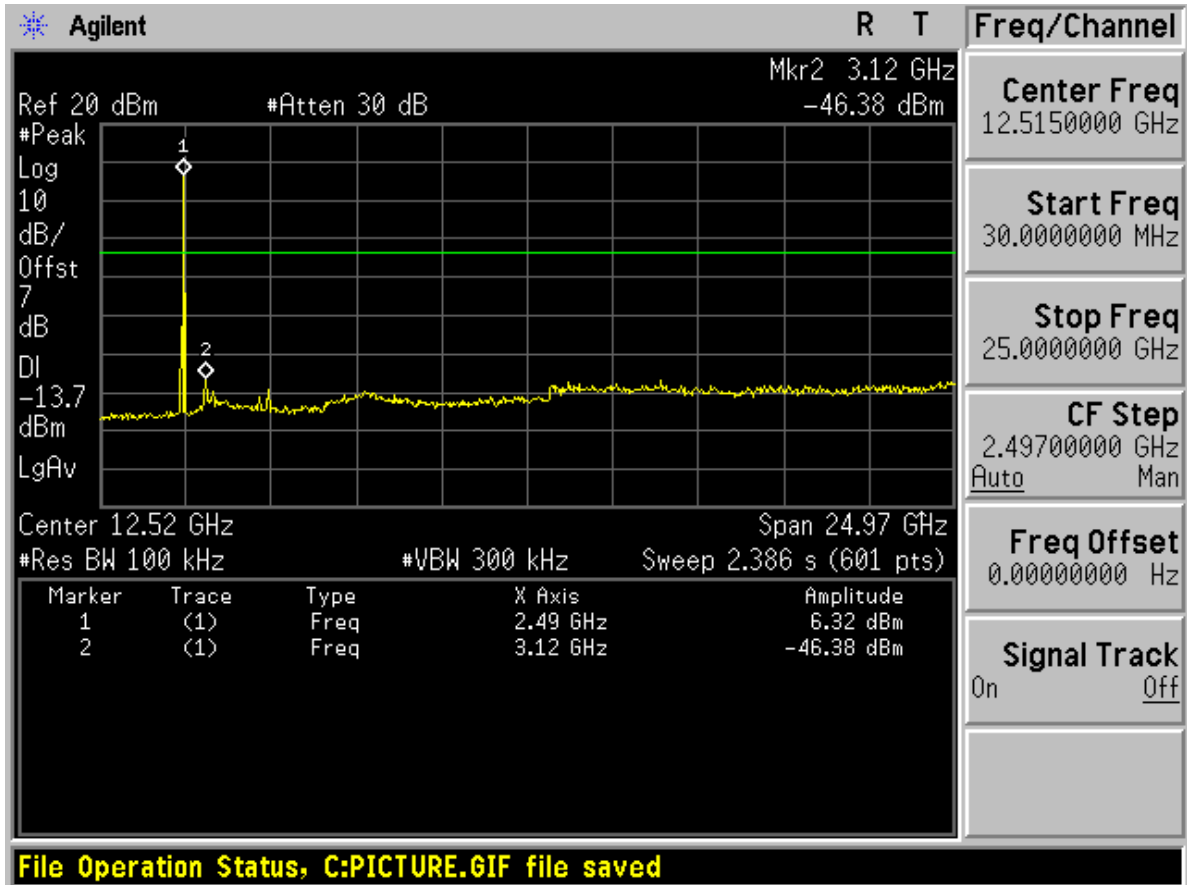




Channel 78







-----The END-----



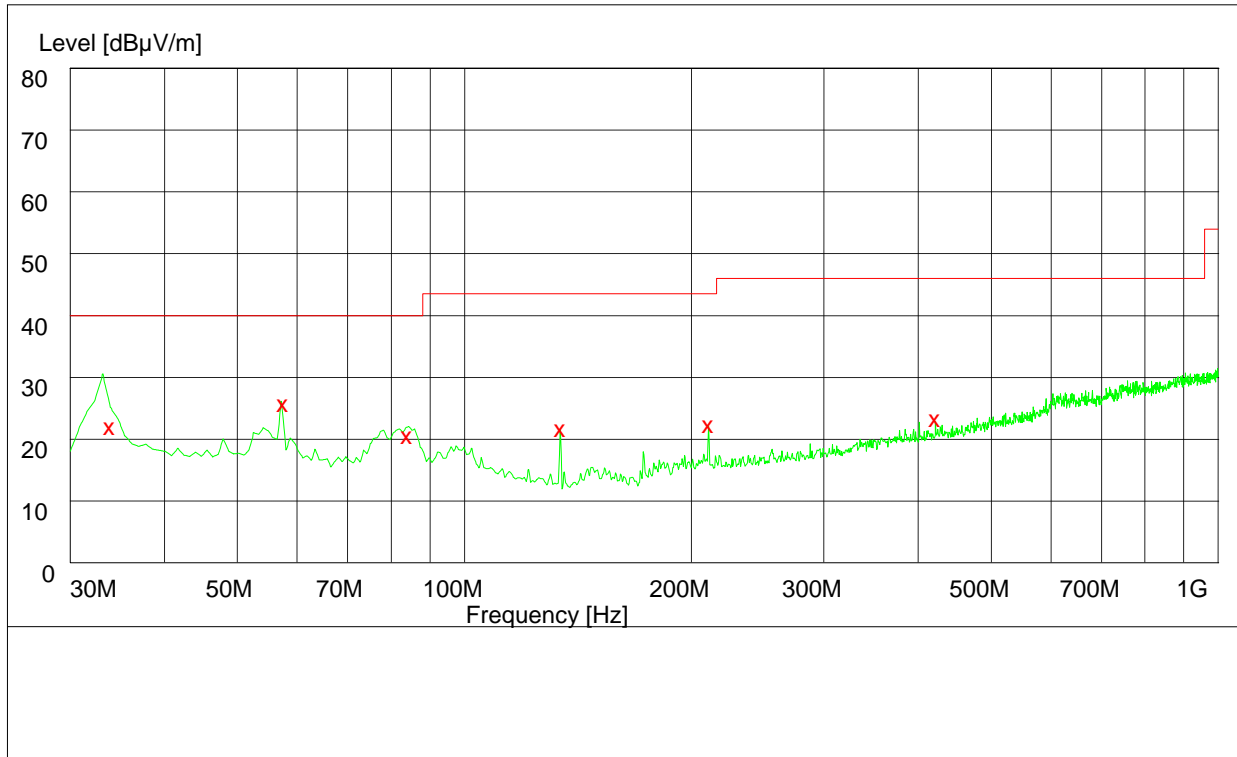
Appendix H

Radiated spurious emission

According to FCC Part 15.247 (d) & 15.205 & 15.209

Part 1: Testing Range of “30 MHz to 1 GHz”

- Note 1: The test results and plot for testing range of “30 MHz to 1 GHz” showed as below is the WORST case for all Test Modes and Channels. This range will not be presented for each Test Mode and each Channel.
- Note 2: The emissions in this range are mainly from the Platform Device (Notepad PC and its ancillary components).

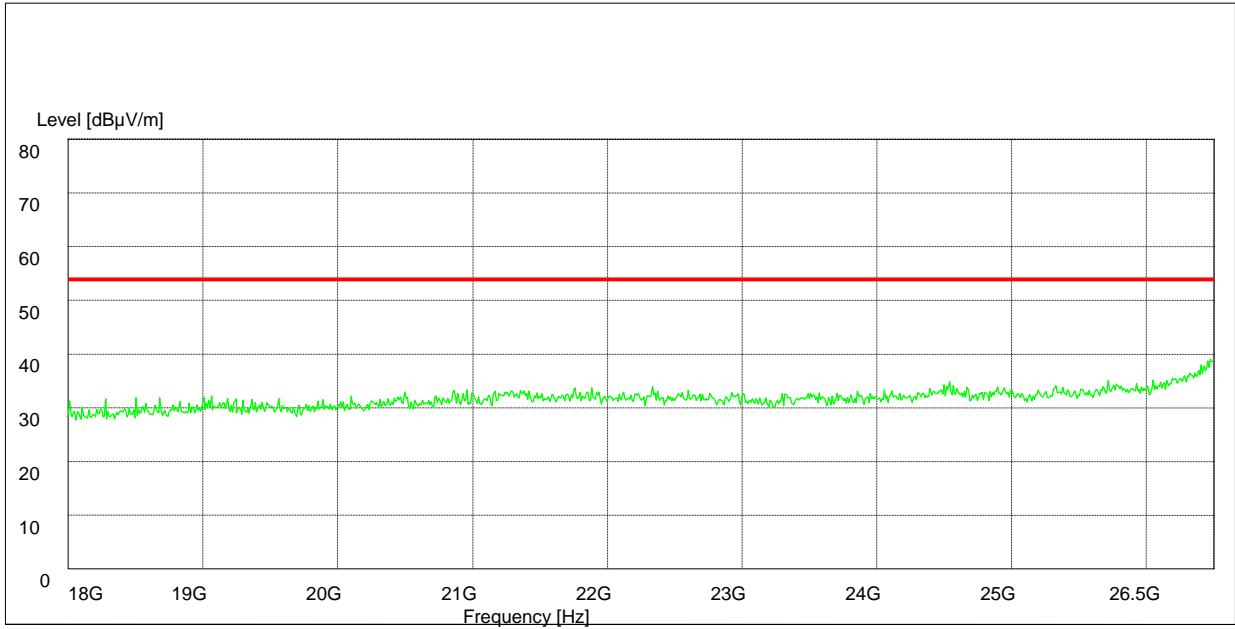


Frequency MHz	Level dBµV/m	Transd dB	Limit dBµV/m	Margin dB	Height cm	Azimuth deg	Plarization
33.960000	23.70	14.8	40.0	16.3	100.0	243.00	VERTICAL
57.600000	27.40	13.8	40.0	12.6	117.0	293.00	VERTICAL
84.180000	22.20	10.9	40.0	17.8	151.0	98.00	VERTICAL
134.400000	23.50	10.2	43.5	20.0	100.0	334.00	VERTICAL
211.200000	24.00	12.5	43.5	19.5	100.0	357.00	VERTICAL
422.580000	25.10	18.0	46.0	20.9	173.0	359.00	HORIZONTAL



Part 2: Testing Range of “18 GHz to 26.5 GHz”

Note: No peak found in pre- test.

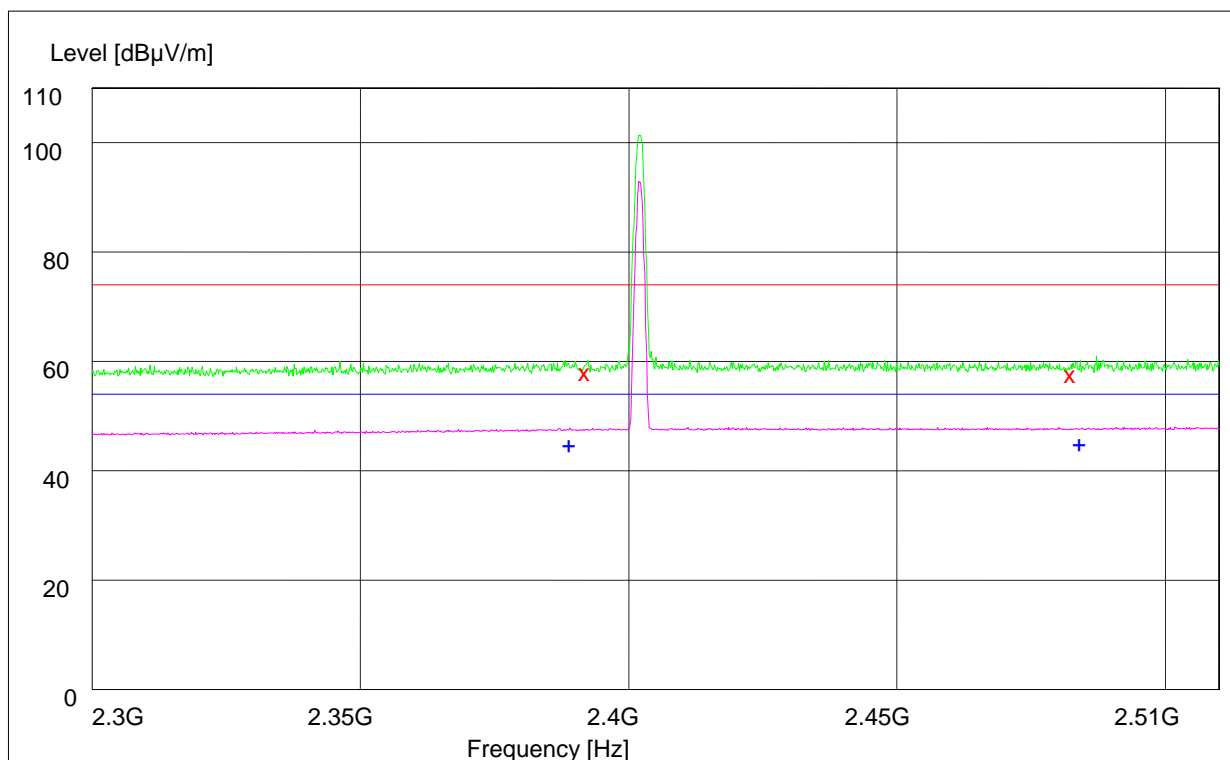


Part 3: Testing Range of “2.3GHz to 2.5GHz”

- Note 1: The testing range of “2.3 GHz to 2.5 GHz” is for checking radiated emissions located in restricted bands near the EUT operating bands.
- Note 2: Two limits are required in the testing range above 1 GHz, that is Peak limit (74 dB μ V/m) and Average Limit (54 dB μ V/m).
- Note 3: The peak spike exceeds the limit line is EUT’s operating frequency.

1 Test Mode:

1.1 Channel 00



Note: The peak exceeds the limit line is carrier frequency.

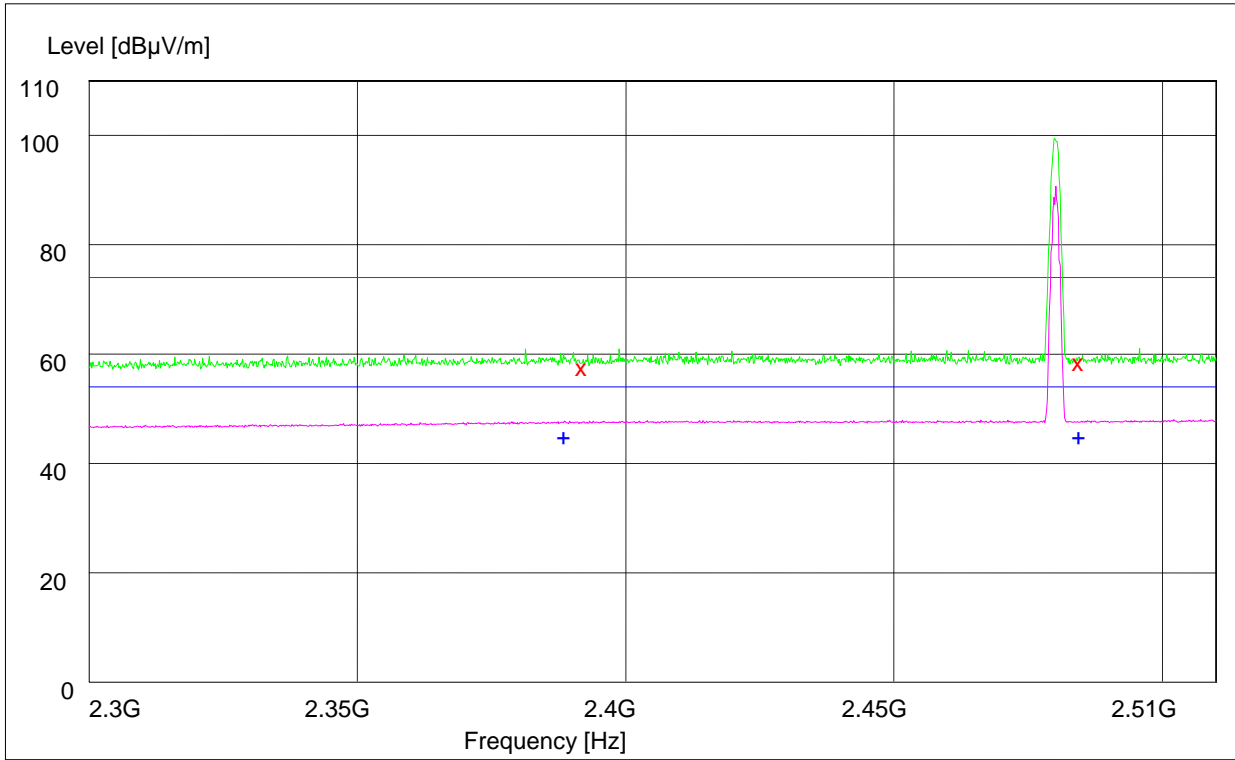
MEASUREMENT RESULT: PK Detector

Frequency MHz	Level dB μ V/m	Transd dB	Limit dB μ V/m	Margin dB	Height cm	Azimuth deg	Polarization
2392.000000	59.50	33.5	74.0	14.5	200.0	85.00	VERTICAL
2482.500000	59.10	33.7	74.0	14.9	179.0	200.00	HORIZONTAL

MEASUREMENT RESULT: AVDetector

Frequency MHz	Level dB μ V/m	Transd dB	Limit dB μ V/m	Margin dB	Height cm	Azimuth deg	Polarization
2389.000000	46.40	33.5	54.0	7.6	130.0	254.00	VERTICAL
2484.000000	46.50	33.7	54.0	7.5	113.0	15.00	HORIZONTAL

1.2 Channel 78



Note: The peak exceeds the limit line is carrier frequency.

MEASUREMENT RESULT: PK Detector

Frequency MHz	Level dBµV/m	Transd dB	Limit dBµV/m	Margin dB	Height cm	Azimuth deg	Polarization
2392.000000	59.20	33.5	74.0	14.8	100.0	317.00	VERTICAL
2484.500000	59.90	33.7	74.0	14.1	200.0	102.00	VERTICAL

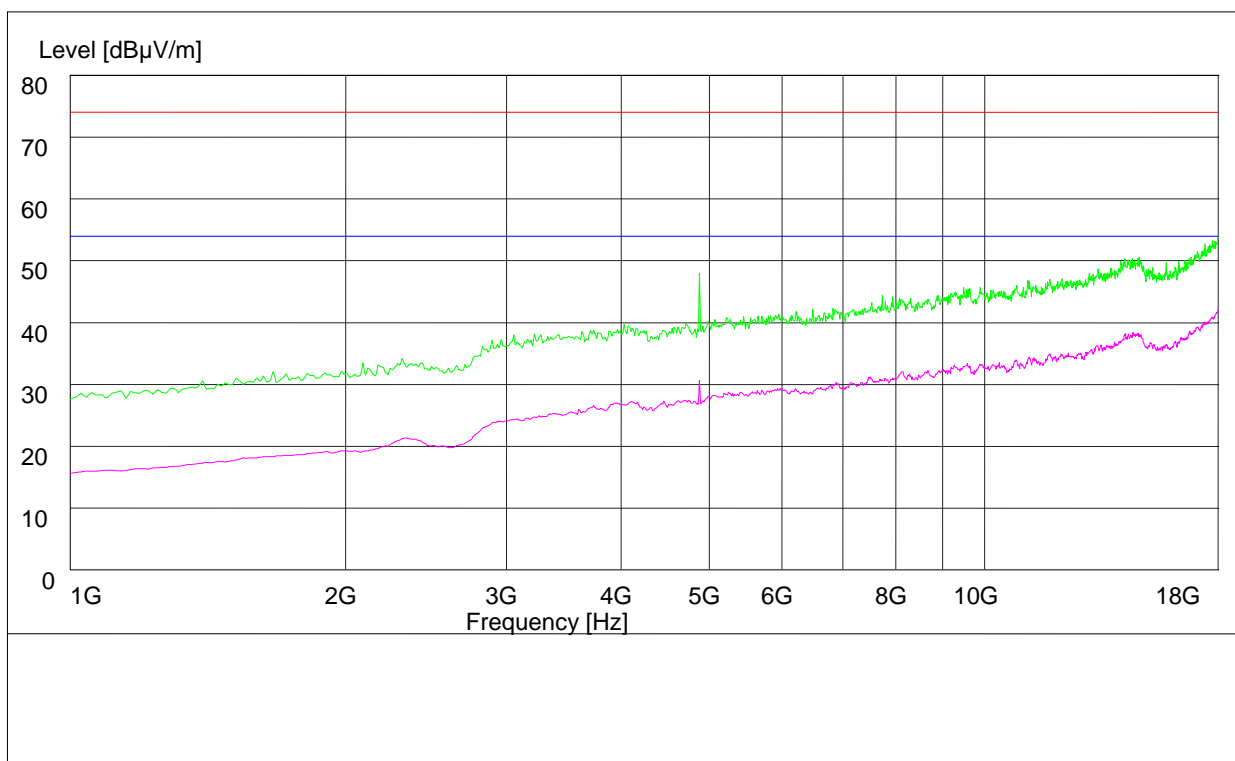
MEASUREMENT RESULT: AVDetector

Frequency MHz	Level dBµV/m	Transd dB	Limit dBµV/m	Margin dB	Height cm	Azimuth deg	Polarization
2388.500000	46.40	33.5	54.0	7.6	126.0	38.00	HORIZONTAL
2484.500000	46.50	33.7	54.0	7.5	134.0	180.00	VERTICAL

1.3

Part 4: Testing Range of “1 GHz to 18 GHz”

- Note 1: The test results and plot for testing range of “1 GHz to 18 GHz” showed as below is the WORST case for all Test Modes and Channels. This range will not be presented for each Test Mode and each Channel.
- Note 2: The testing range of “1 GHz to 18 GHz” is for checking radiated emissions located in restricted bands faraway from the EUT operating bands.
- Note 3: Two limits are required in the testing range above 1 GHz, that is Peak limit (74 dB μ V/m) and Average Limit (54 dB μ V/m).



The END



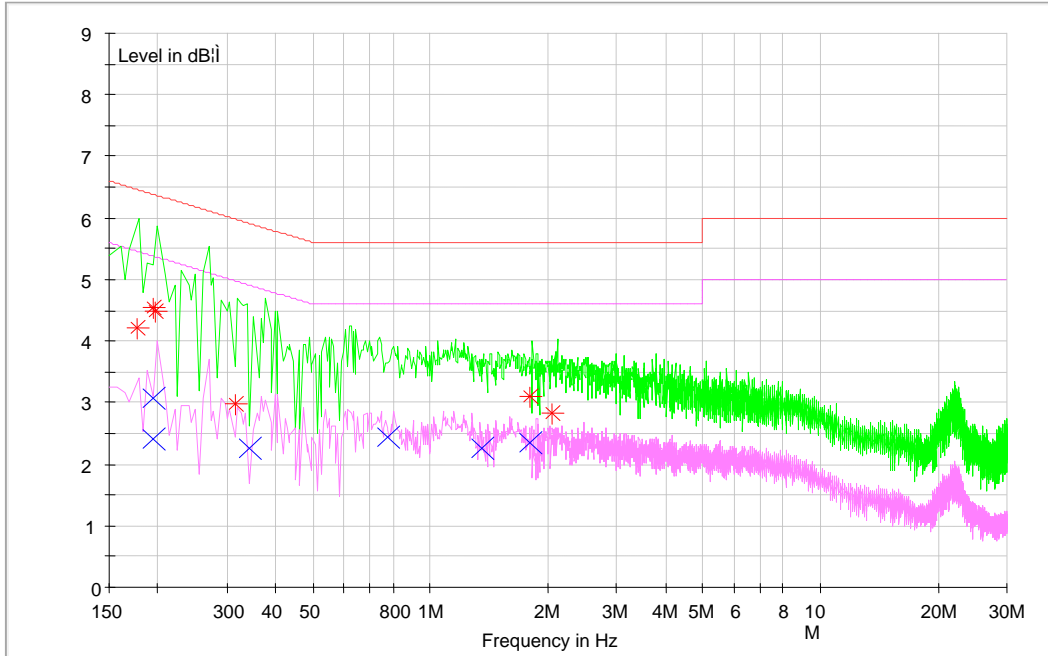
Appendix I

Conducted Emission at Power Port

According to FCC Part 15.207



Channel 40



MEASUREMENT RESULT: QP Detector

Frequency MHz	Level dBμV	Transd dB	Limit dBμV	Margin dB	Line	PE
0.177292	42.2	9.7	64.6	22.4	L1	FLO
0.194160	45.3	9.7	63.9	18.6	L1	FLO
0.195738	44.9	9.7	63.8	18.9	L1	FLO
0.314854	29.9	9.7	59.8	29.9	N	FLO
1.798642	31.0	9.7	56.0	25.0	L1	FLO
2.043341	28.4	9.7	56.0	27.6	L1	FLO

MEASUREMENT RESULT: AV Detector

Frequency MHz	Level dBμV	Transd dB	Limit dBμV	Margin dB	Line	PE
0.194632	30.6	9.7	53.8	23.2	L1	FLO
0.194720	24.0	9.7	53.8	29.8	N	FLO
0.341306	22.7	9.7	49.2	26.5	L1	FLO
0.774866	24.3	9.7	46.0	21.7	N	FLO
1.355989	22.5	9.7	46.0	23.5	N	FLO
1.792526	23.4	9.7	46.0	22.6	N	FLO

The END