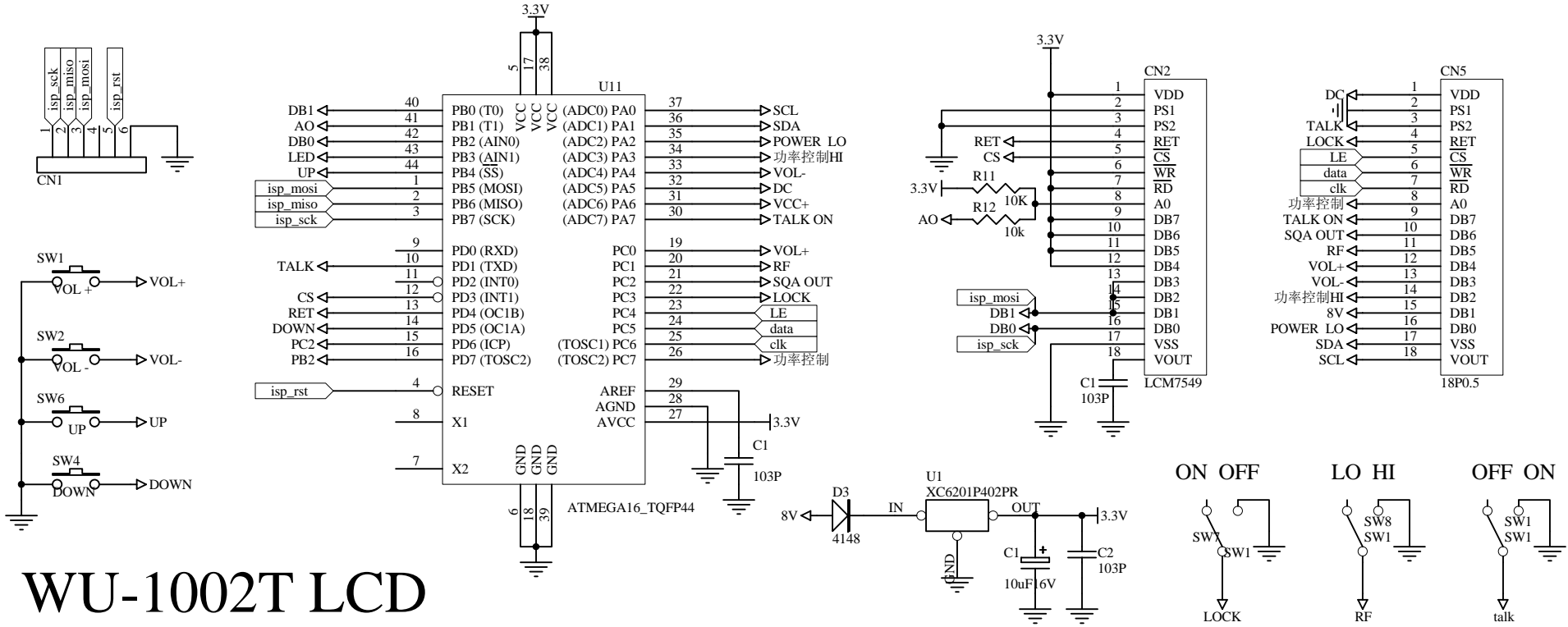


CN1

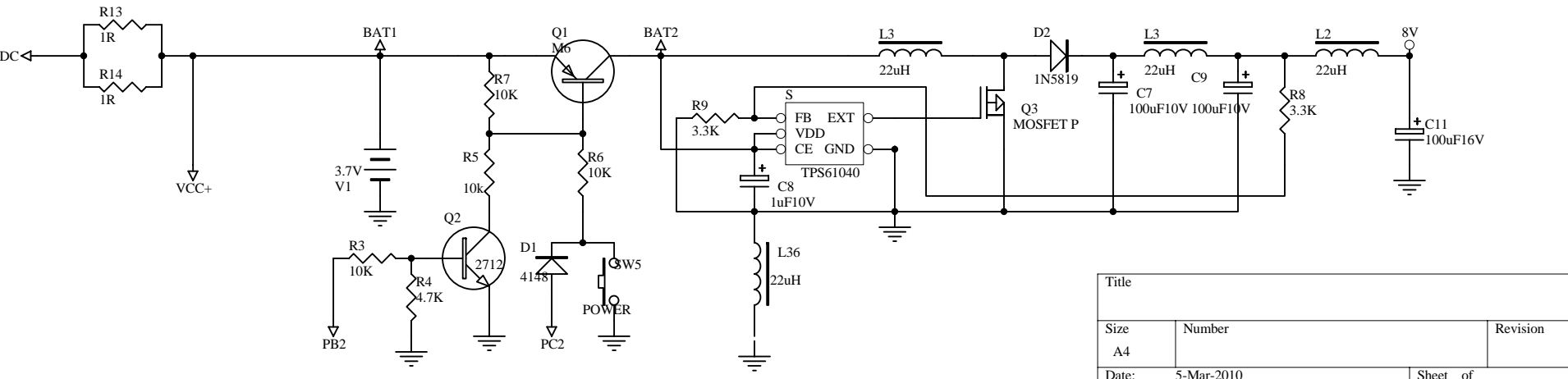
1	VDD
2	PS1
3	PS2
4	RESET
5	CS
6	WR
7	RD
8	A0
9	DB7
10	DB5
11	DB4
12	DB3
13	DB2
14	DB1
15	DB0
16	8V
17	VSS
18	VOUT

18P0.5

Title		
Size	Number	Revision
B		
Date:	5-Mar-2010	Sheet of
File:	D:\cm\UR256.PCB\WU-816LCD.ddb	Drawn By:



# WU-1002T LCD



Title		
Size	Number	Revision
A4		
Date:	5-Mar-2010	Sheet of
File:	D:\lcm\UR256.PCB\WU-816LCD.ddb	Drawn By: