

System Check_Body_2450MHz_160224

DUT: D2450V2-736

Communication System: CW; Frequency: 2450 MHz; Duty Cycle: 1:1

Medium: MSL_2450_160224 Medium parameters used: $f = 2450$ MHz; $\sigma = 1.966$ S/m; $\epsilon_r = 52.833$; $\rho = 1000$ kg/m³

Ambient Temperature : 23 °C ; Liquid Temperature : 22 °C

DASY5 Configuration

- Probe: EX3DV4 - SN3931; ConvF(7.54, 7.54, 7.54); Calibrated: 2015/10/1;

- Sensor-Surface: 1.4mm (Mechanical Surface Detection)

- Electronics: DAE3 Sn577; Calibrated: 2015/9/24

- Phantom: ELI v5.0; Type: QDOVA002AA; Serial: TP:1227

- Measurement SW: DASY52, Version 52.8 (8); SEMCAD X Version 14.6.10 (7331)

Configuration/Pin=250mW/Area Scan (71x71x1): Interpolated grid: dx=1.200 mm, dy=1.200 mm

Maximum value of SAR (interpolated) = 26.5 W/kg

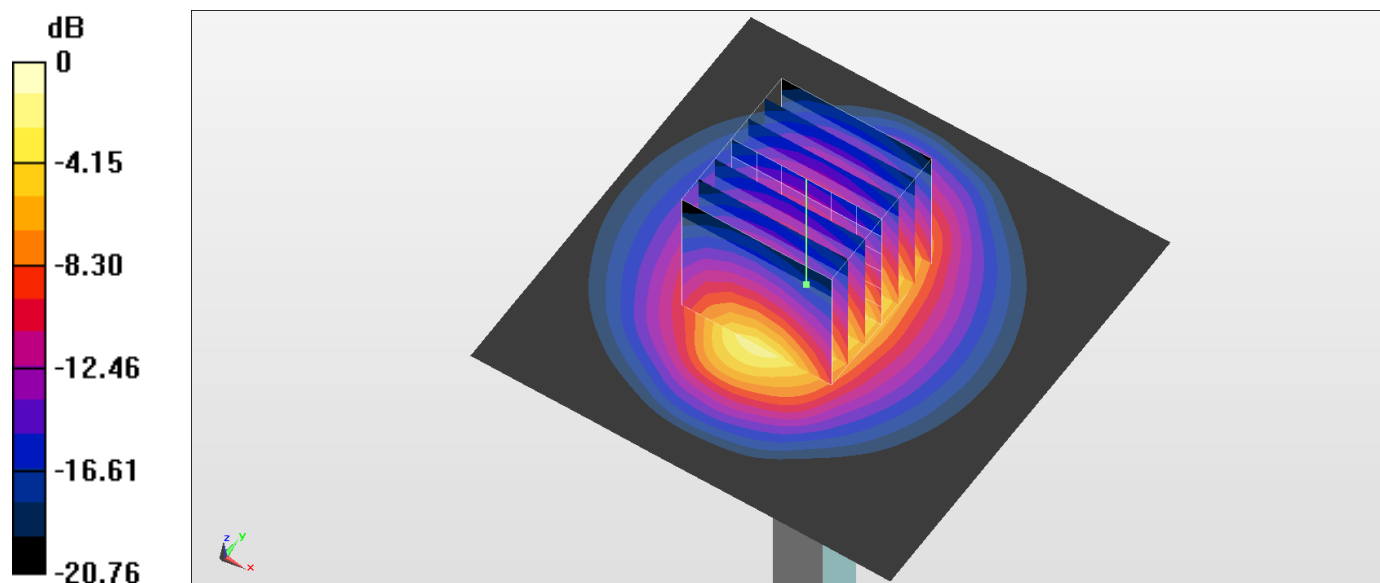
Configuration/Pin=250mW/Zoom Scan (7x7x7)/Cube 0: Measurement grid: dx=5mm, dy=5mm, dz=5mm

Reference Value = 115.6 V/m; Power Drift = -0.13 dB

Peak SAR (extrapolated) = 25.3 W/kg

SAR(1 g) = 12.7 W/kg; SAR(10 g) = 5.93 W/kg

Maximum value of SAR (measured) = 20.8 W/kg



0 dB = 20.8 W/kg = 13.18 dBW/kg

System Check_Body_2450MHz_160224

DUT: D2450V2-736

Communication System: CW ; Frequency: 2450 MHz;Duty Cycle: 1:1

Medium: MSL_2450_160224 Medium parameters used: $f = 2450 \text{ MHz}$; $\sigma = 1.966 \text{ S/m}$; $\epsilon_r = 52.833$; $\rho = 1000 \text{ kg/m}^3$

Ambient Temperature : $23.5 \text{ }^\circ\text{C}$; Liquid Temperature : $22.5 \text{ }^\circ\text{C}$

DASY5 Configuration

- Probe: ES3DV3 - SN3270; ConvF(4.37, 4.37, 4.37); Calibrated: 2015/9/28;
- Sensor-Surface: 2mm (Mechanical Surface Detection)
- Electronics: DAE4 Sn1490; Calibrated: 2015/9/14
- Phantom: ELI v5.0; Type: QDOVA002AA; Serial: TP:1227
- Measurement SW: DASY52, Version 52.8 (8); SEMCAD X Version 14.6.10 (7331)

Configuration/Pin=250mW/Area Scan (71x71x1): Interpolated grid: $dx=1.200 \text{ mm}$, $dy=1.200 \text{ mm}$

Maximum value of SAR (interpolated) = 17.9 W/kg

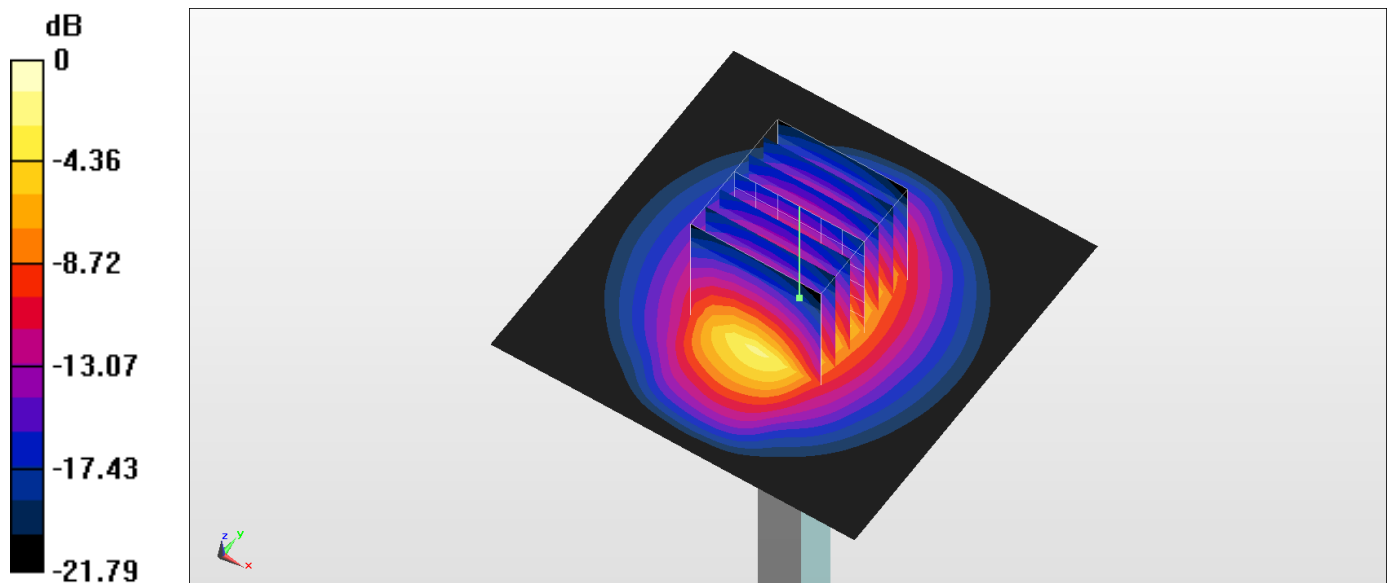
Configuration/Pin=250mW/Zoom Scan (7x7x7)/Cube 0: Measurement grid: $dx=5\text{mm}$, $dy=5\text{mm}$, $dz=5\text{mm}$

Reference Value = 105.9 V/m ; Power Drift = -0.06 dB

Peak SAR (extrapolated) = 25.5 W/kg

SAR(1 g) = 12.2 W/kg ; SAR(10 g) = 5.61 W/kg

Maximum value of SAR (measured) = 18.7 W/kg



0 dB = $18.7 \text{ W/kg} = 12.72 \text{ dBW/kg}$

System Check_Body_5250MHz_160222

DUT: D5GHzV2-1128

Communication System: CW; Frequency: 5250 MHz; Duty Cycle: 1:1

Medium: MSL_5G_160222 Medium parameters used: $f = 5250 \text{ MHz}$; $\sigma = 5.446 \text{ S/m}$; $\epsilon_r = 46.98$; $\rho = 1000 \text{ kg/m}^3$

Ambient Temperature : $23 \text{ }^\circ\text{C}$; Liquid Temperature : $22 \text{ }^\circ\text{C}$

DASY5 Configuration

- Probe: EX3DV4 - SN3931; ConvF(4.48, 4.48, 4.48); Calibrated: 2015/10/1;
- Sensor-Surface: 1.4mm (Mechanical Surface Detection)
- Electronics: DAE3 Sn577; Calibrated: 2015/9/24
- Phantom: ELI v5.0; Type: QDOVA002AA; Serial: TP:1227
- Measurement SW: DASY52, Version 52.8 (8); SEMCAD X Version 14.6.10 (7331)

Configuration/Pin=100mW/Area Scan (71x71x1): Interpolated grid: $dx=1.000 \text{ mm}$, $dy=1.000 \text{ mm}$

Maximum value of SAR (interpolated) = 18.7 W/kg

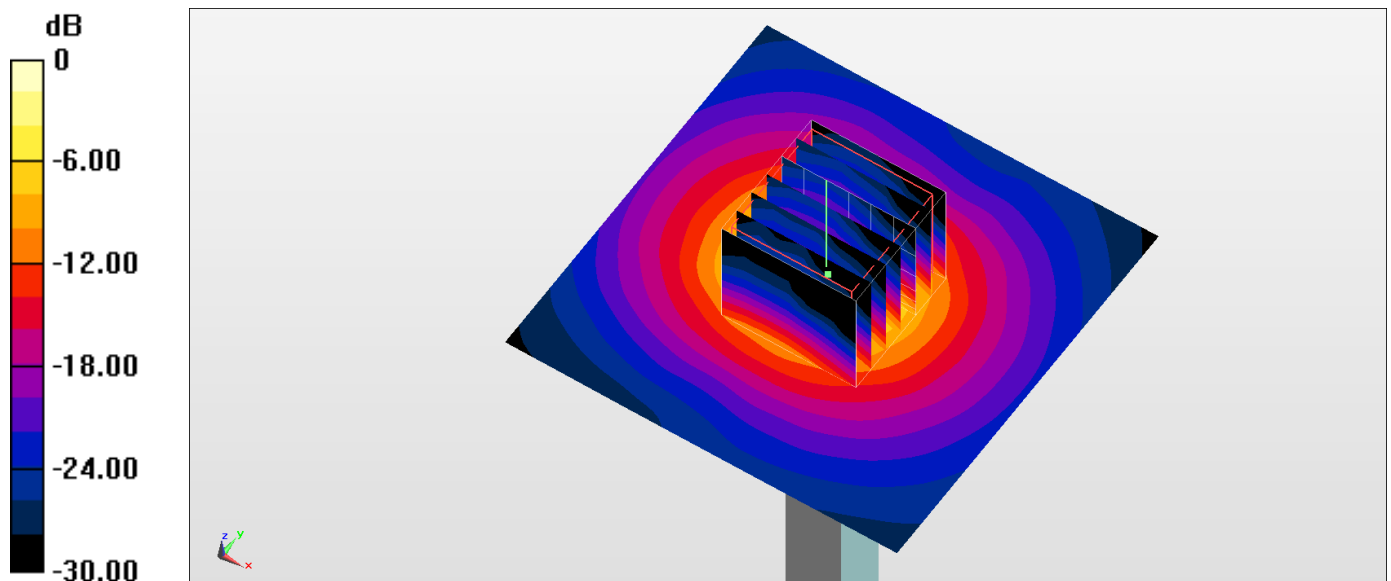
Configuration/Pin=100mW/Zoom Scan (7x7x7)/Cube 0: Measurement grid: $dx=4\text{mm}$, $dy=4\text{mm}$, $dz=1.4\text{mm}$

Reference Value = 65.41 V/m ; Power Drift = 0.18 dB

Peak SAR (extrapolated) = 31.9 W/kg

SAR(1 g) = 7.86 W/kg ; SAR(10 g) = 2.17 W/kg

Maximum value of SAR (measured) = 19.4 W/kg



0 dB = 19.4 W/kg = 12.88 dBW/kg

System Check_Body_5600MHz_160222

DUT: D5GHzV2-1128

Communication System: CW; Frequency: 5600 MHz; Duty Cycle: 1:1

Medium: MSL_5G_160222 Medium parameters used: $f = 5600 \text{ MHz}$; $\sigma = 5.888 \text{ S/m}$; $\epsilon_r = 46.41$; $\rho = 1000 \text{ kg/m}^3$

Ambient Temperature : $23 \text{ }^\circ\text{C}$; Liquid Temperature : $22 \text{ }^\circ\text{C}$

DASY5 Configuration

- Probe: EX3DV4 - SN3931; ConvF(3.84, 3.84, 3.84); Calibrated: 2015/10/1;
- Sensor-Surface: 1.4mm (Mechanical Surface Detection)
- Electronics: DAE3 Sn577; Calibrated: 2015/9/24
- Phantom: ELI v5.0; Type: QDOVA002AA; Serial: TP:1227
- Measurement SW: DASY52, Version 52.8 (8); SEMCAD X Version 14.6.10 (7331)

Configuration/Pin=100mW/Area Scan (71x71x1): Interpolated grid: $dx=1.000 \text{ mm}$, $dy=1.000 \text{ mm}$

Maximum value of SAR (interpolated) = 23.2 W/kg

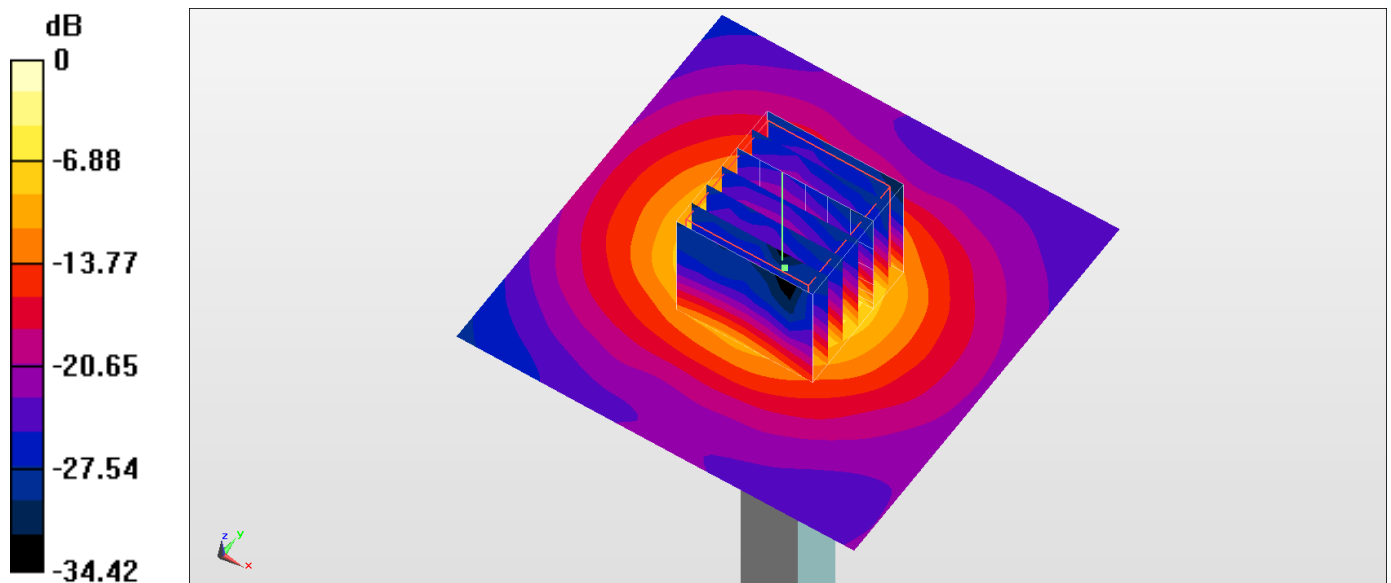
Configuration/Pin=100mW/Zoom Scan (7x7x7)/Cube 0: Measurement grid: $dx=4\text{mm}$, $dy=4\text{mm}$, $dz=1.4\text{mm}$

Reference Value = 71.92 V/m ; Power Drift = -0.18 dB

Peak SAR (extrapolated) = 35.8 W/kg

SAR(1 g) = 8.23 W/kg ; SAR(10 g) = 2.24 W/kg

Maximum value of SAR (measured) = 20.9 W/kg



0 dB = 20.9 W/kg = 13.20 dBW/kg

System Check_Body_5750MHz_160222

DUT: D5GHzV2-1128

Communication System: CW; Frequency: 5750 MHz; Duty Cycle: 1:1

Medium: MSL_5G_160222 Medium parameters used: $f = 5750 \text{ MHz}$; $\sigma = 6.082 \text{ S/m}$; $\epsilon_r = 46.237$; $\rho = 1000 \text{ kg/m}^3$

Ambient Temperature : $23 \text{ }^\circ\text{C}$; Liquid Temperature : $22 \text{ }^\circ\text{C}$

DASY5 Configuration

- Probe: EX3DV4 - SN3931; ConvF(3.98, 3.98, 3.98); Calibrated: 2015/10/1;
- Sensor-Surface: 1.4mm (Mechanical Surface Detection)
- Electronics: DAE3 Sn577; Calibrated: 2015/9/24
- Phantom: ELI v5.0; Type: QDOVA002AA; Serial: TP:1227
- Measurement SW: DASY52, Version 52.8 (8); SEMCAD X Version 14.6.10 (7331)

Configuration/Pin=100mW/Area Scan (71x71x1): Interpolated grid: $dx=1.000 \text{ mm}$, $dy=1.000 \text{ mm}$

Maximum value of SAR (interpolated) = 18.3 W/kg

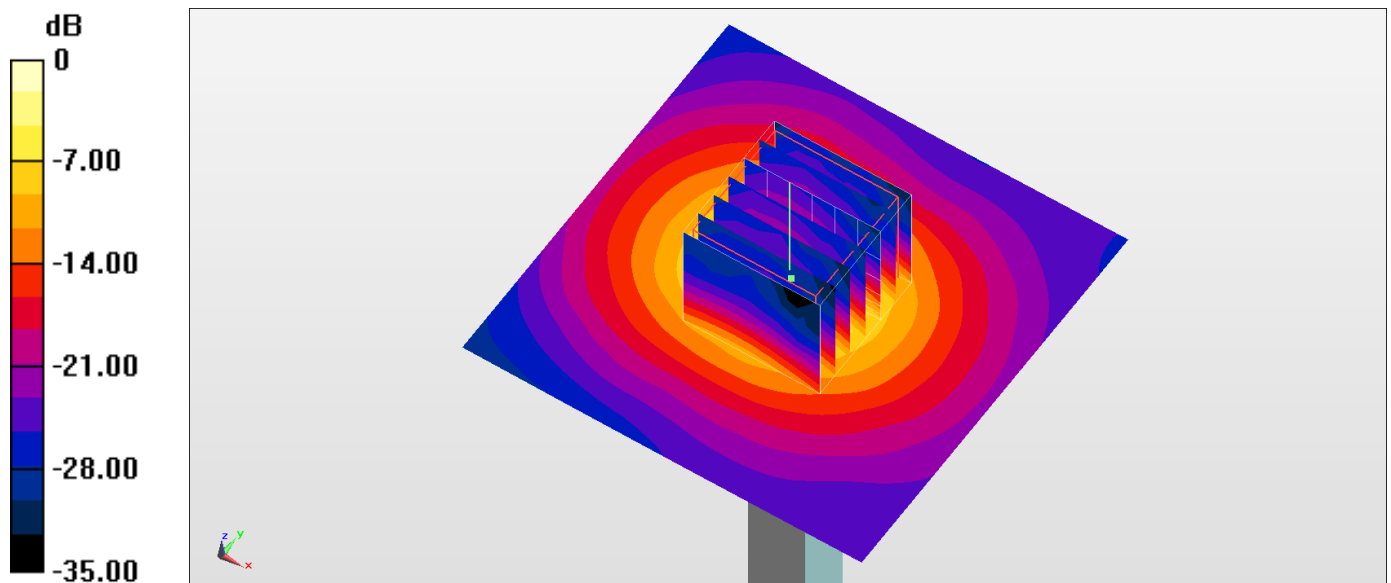
Configuration/Pin=100mW/Zoom Scan (7x7x7)/Cube 0: Measurement grid: $dx=4\text{mm}$, $dy=4\text{mm}$, $dz=1.4\text{mm}$

Reference Value = 63.15 V/m ; Power Drift = 0.06 dB

Peak SAR (extrapolated) = 33.9 W/kg

SAR(1 g) = 7.45 W/kg ; SAR(10 g) = 2.04 W/kg

Maximum value of SAR (measured) = 19.1 W/kg



0 dB = $19.1 \text{ W/kg} = 12.81 \text{ dBW/kg}$