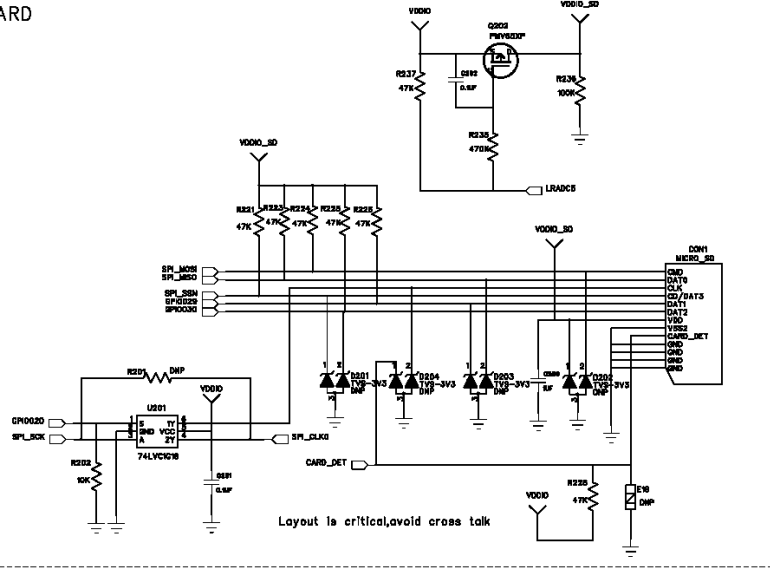
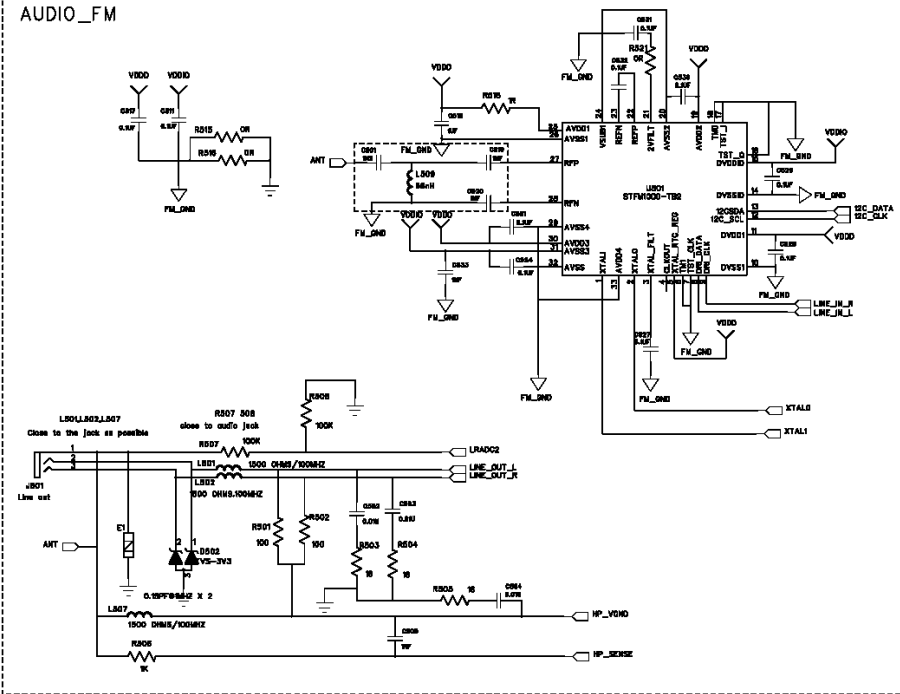


ANDAH ELECTRONICS(SHENZHEN)LTD.	
MODEL:	MP935W
SHEET:	1 OF 3
REV:	V1.0
NO:	FMP935WCD1
DATE:	2007.09.17
APPROVED:	
CHECKED:	
DESIGNED:	

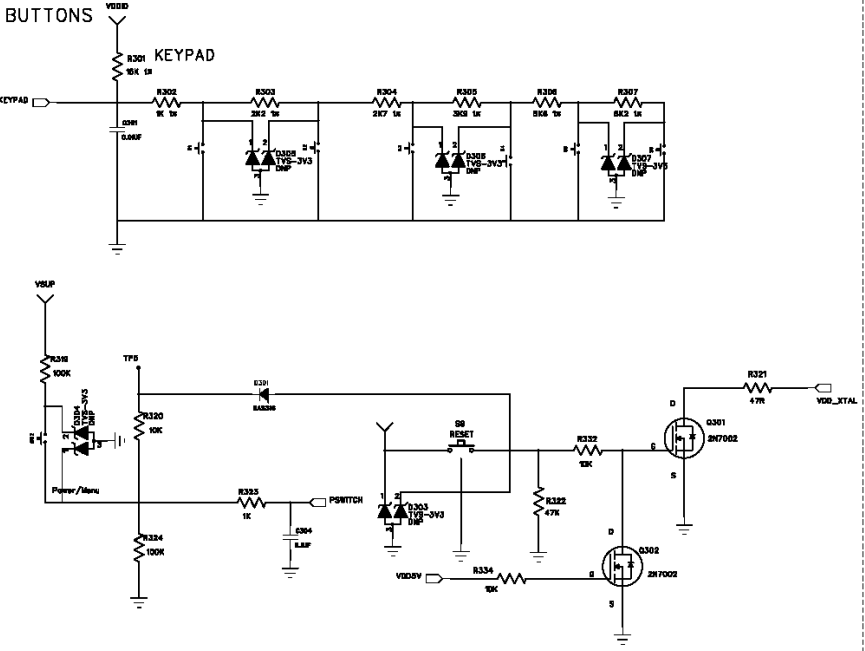
SD_CARD



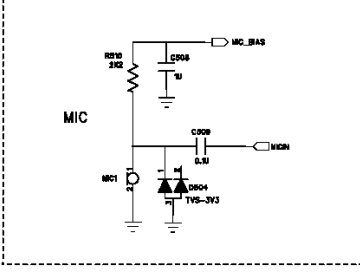
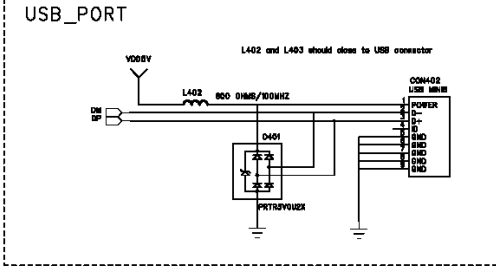
AUDIO_FM



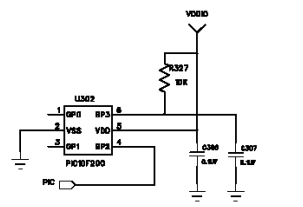
BUTTONS



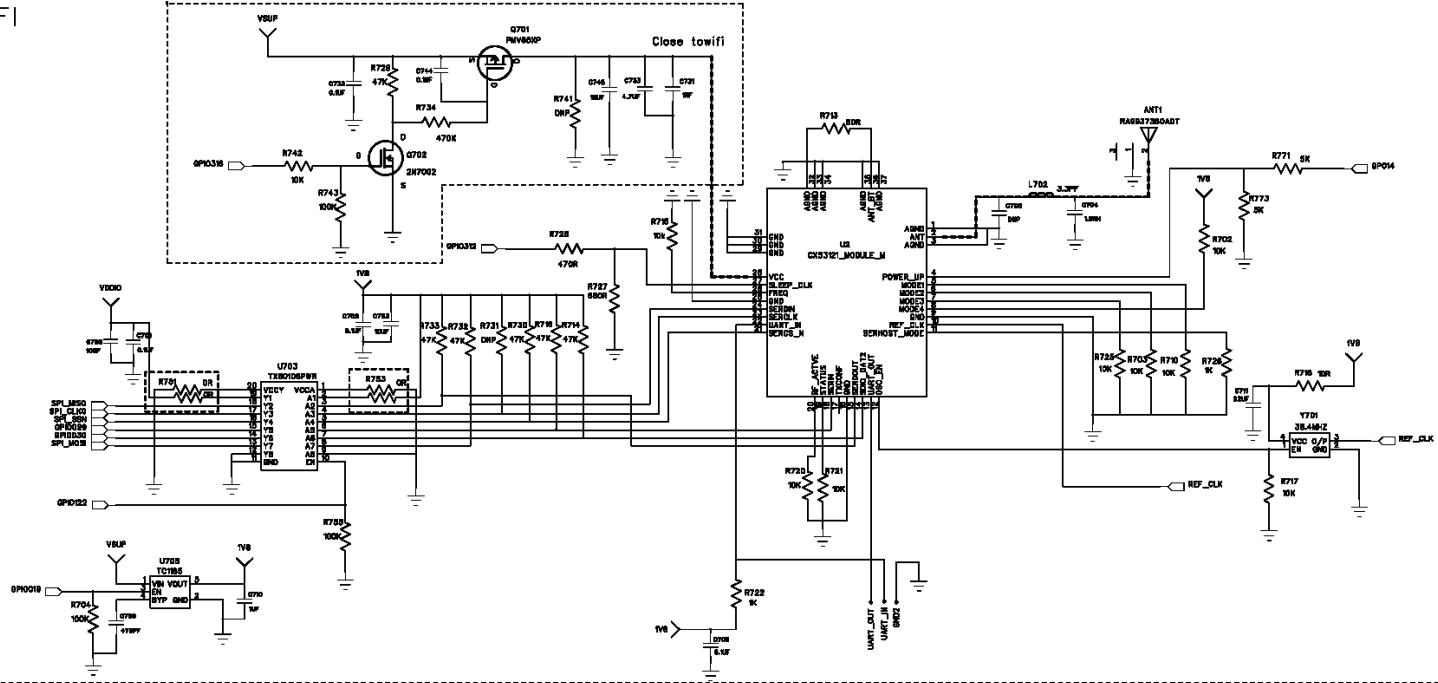
USB_PORT



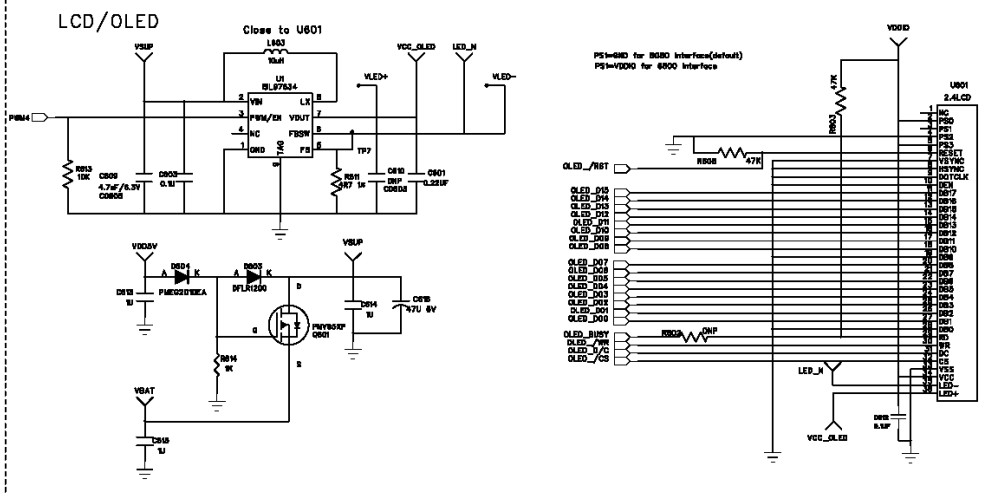
ANDAH ELECTRONICS(SHENZHEN)LTD.	
MODEL:	MP935W
SHEET:	2 OF 3
REV:	V1.0
NO:	FMP935WCD1
DATE:	2007.09.17
APPROVED:	
CHECKED:	
DESIGNED:	



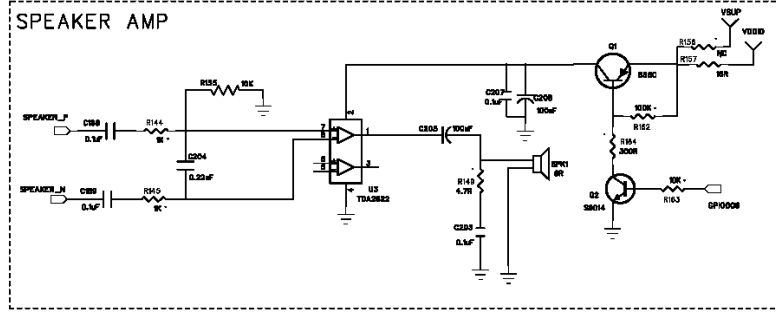
WIFI



LCD/OLED



SPEAKER AMP



MODEL:	MP935W	
SHEET:	3 OF 3	APPROVED:
REV:	V1.0	CHECKED:
NO:	FMP935WCD1	DESIGNED:
DATE:	2007.09.17	