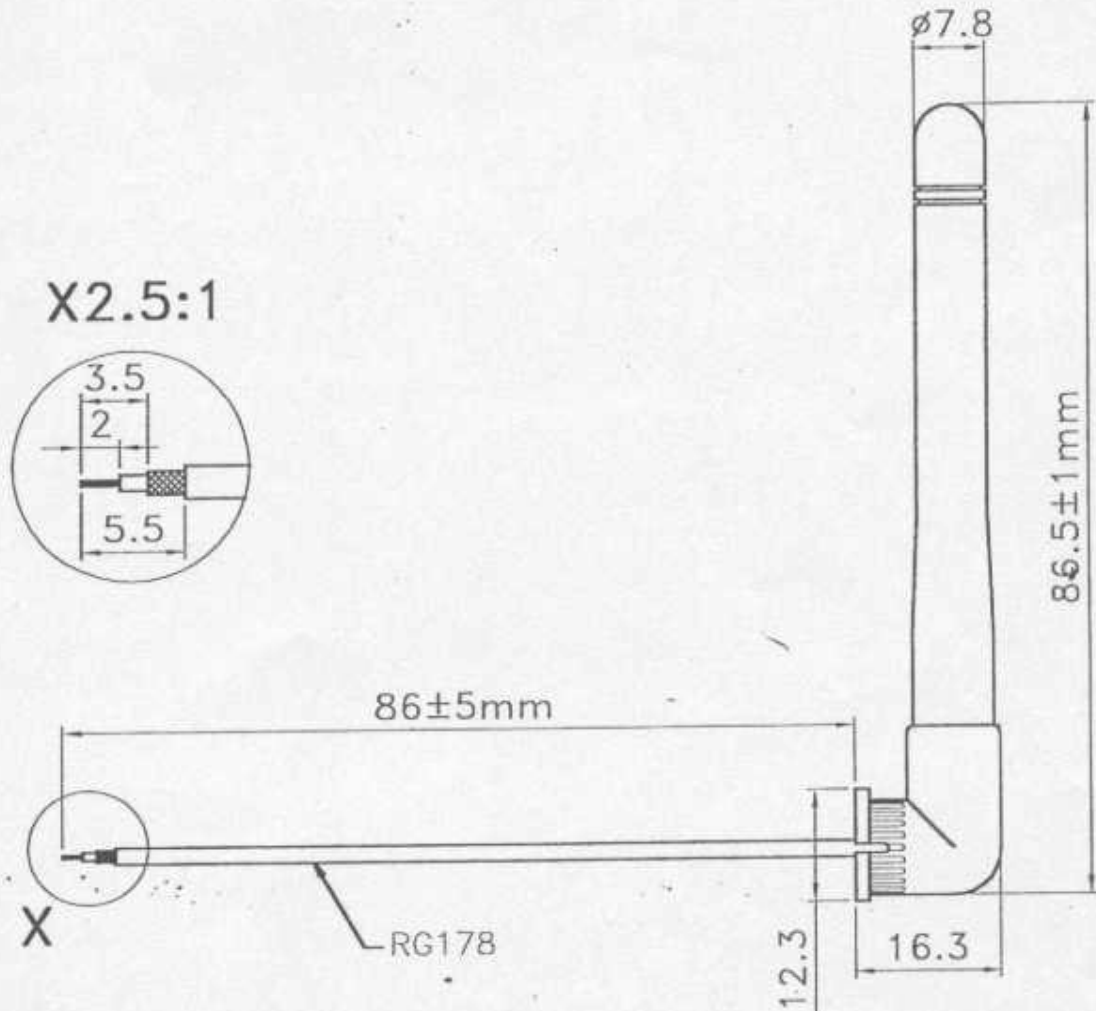


SPECIFICATION

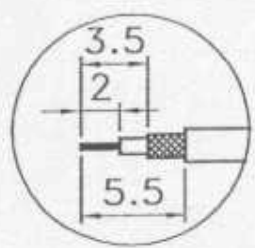
- | | |
|---------------------------------|--|
| 1. Description | : $1/4 \lambda$, Dipole Antenna |
| 2. Customer | : GRANDTEC MULTIMEDIA WIZARD |
| 3. Model NO | : IM-243FL-118(GR) |
| 4. Appearance | : See fig.1 |
| 5. Frequency | : 2.4~2.5 GHz |
| 6. Impedance | : 50 Ohms nominal |
| 7. S.W.R. | : Less Than 2 : 1 |
| 8. Gain | : 1 dBi |
| 9. Admitted Power Radiation | : 1W |
| 10. Type of Radiation | : Toroidal |
| 11. Polarization | : Vertical |
| 12. Electrization | : $1/4 \lambda$, Dipole |
| 13. Operating Temperature Range | : $-20^{\circ}\text{C} \sim +65^{\circ}\text{C}$ |
| 14. Storage Temperature Range | : $-30^{\circ}\text{C} \sim +75^{\circ}\text{C}$ |
| 15. Color | : Grayness |




士誼科技事業有限公司
JOYMAX ELECTRONICS CORP.



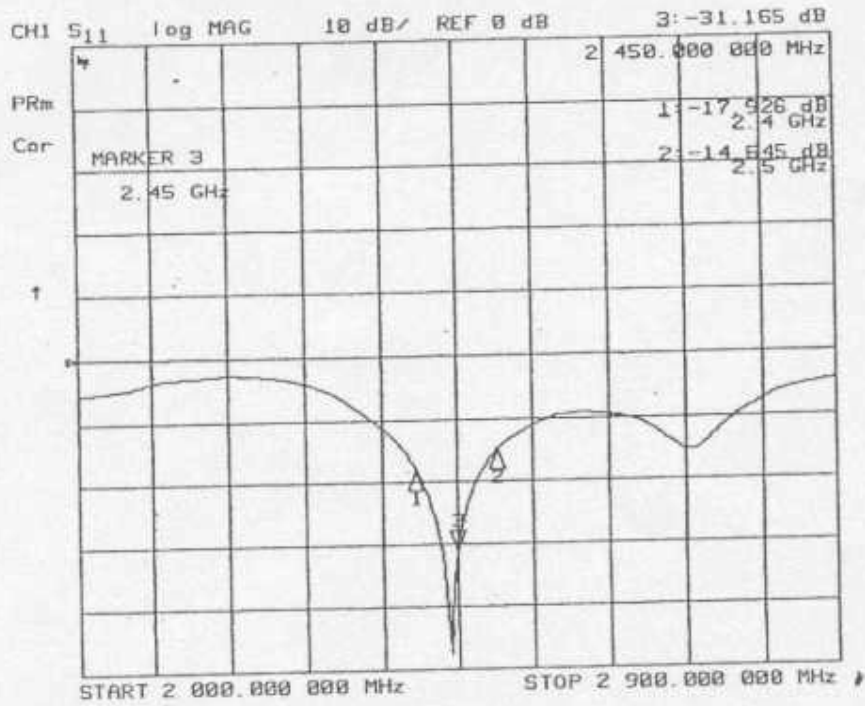
X2.5:1



TOLERANCES:	
X	± 1
X.X	± 0.5
X.XX	± 0.25
ANG.	± 0.5°

REV DESCRIPTION	MATERIAL	MODEL IM-243FL-118(GR)		
	FINISH	NAME Right Angle Antenna		
	UNIT: mm	PART No IM-243FL-118(GR)		
	SCALE: 1=0.8	DESIGN	APPROVE	REV
	DATE: 10/13/2001	J.F.Lin		

Return Loss



VSWR

