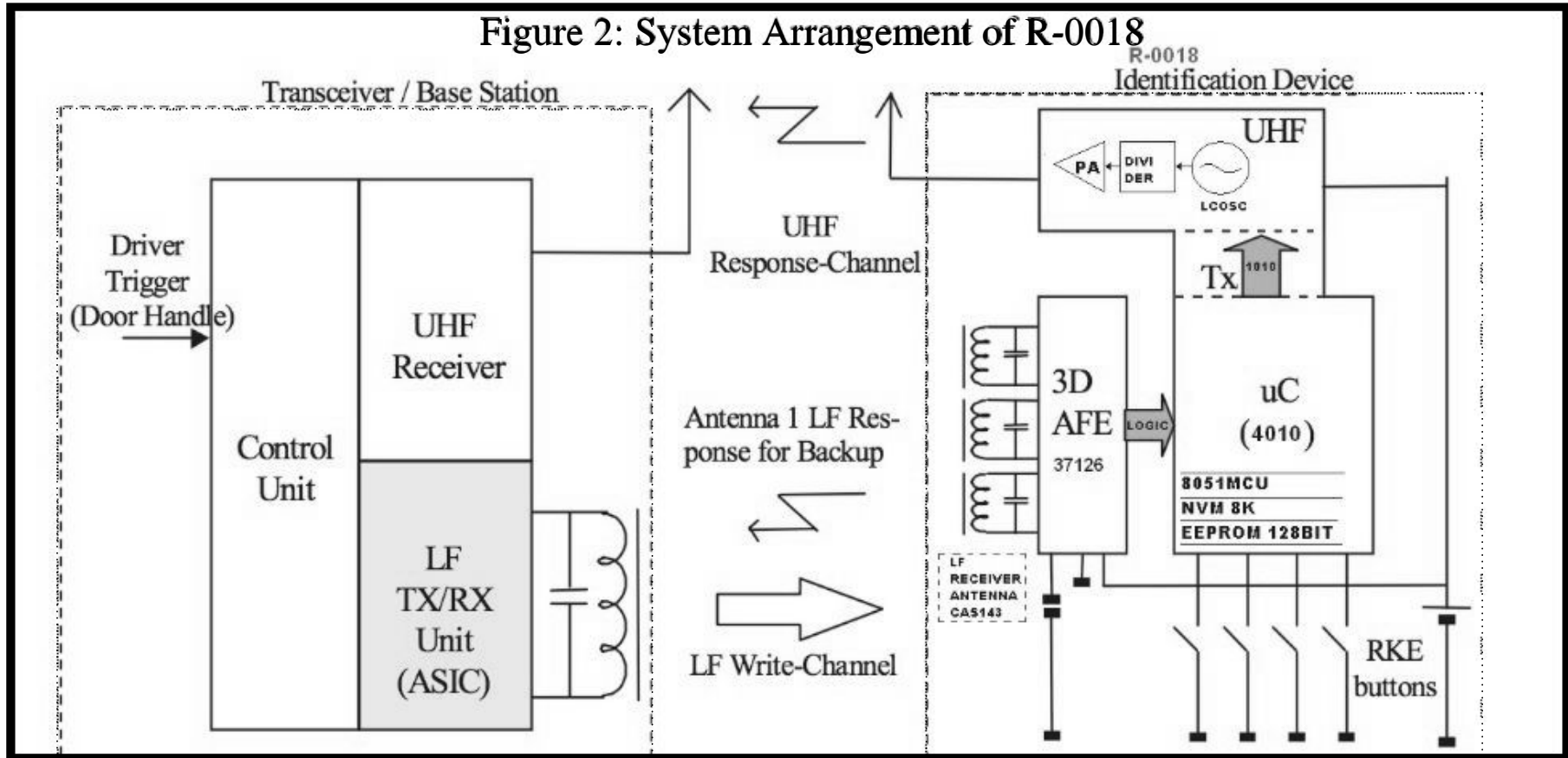


REVISIONS			
REVISION	DESCRIPTION	DATE	APPROVED
A	Initial release	2017-10-26	J. Dessino

Figure 2: System Arrangement of R-0018



PROPRIETARY AND CONFIDENTIAL THE INFORMATION CONTAINED IN THIS DRAWING IS THE SOLE PROPERTY OF DORMAN PRODUCTS. ANY REPRODUCTION IN PART OR AS A WHOLE WITHOUT THE WRITTEN PERMISSION OF DORMAN PRODUCTS IS PROHIBITED.		<b>DORMAN PRODUCTS</b> 3400 E. Walnut Street Colmar PA 18915 (215) 997-1800 <a href="http://www.DormanProducts.com">http://www.DormanProducts.com</a>	
PROJECT: Prox Keys		TITLE: System Arrangement of R-0018	
		DWG. NO. 99389, 99390, 99391	
DRAWN	KATI MELTON	DATE	6/26/17
CHECKED	J. Dessino	2017-10-26	REVISION: A SHEET 1 OF 1