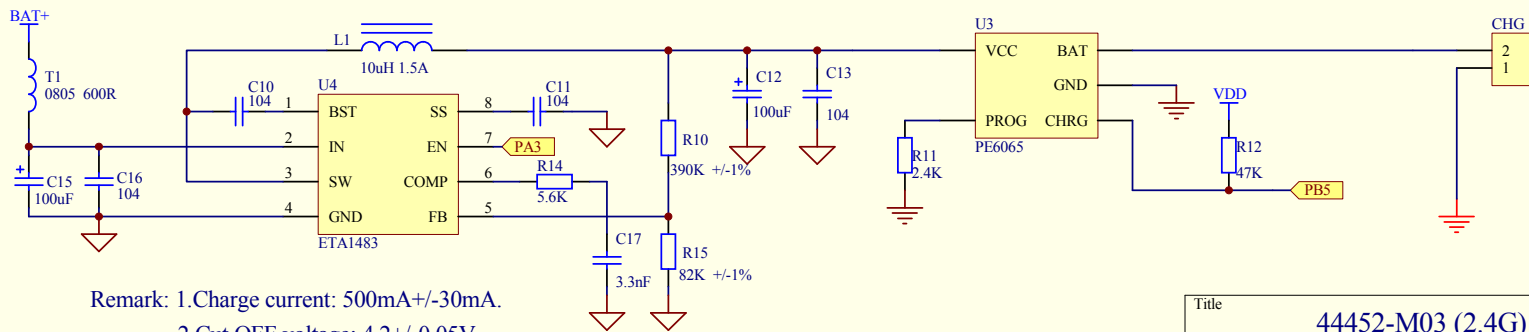
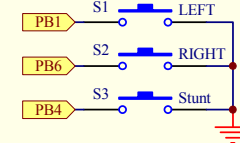
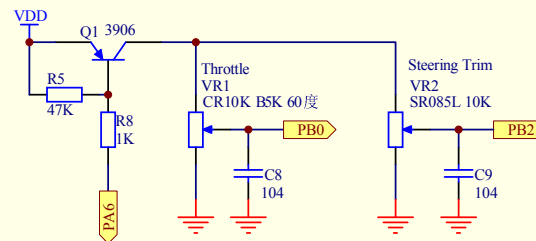
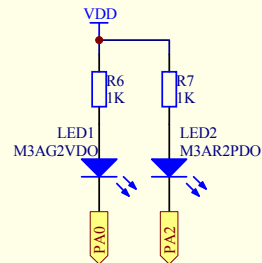
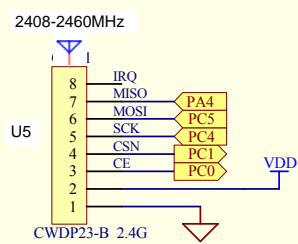
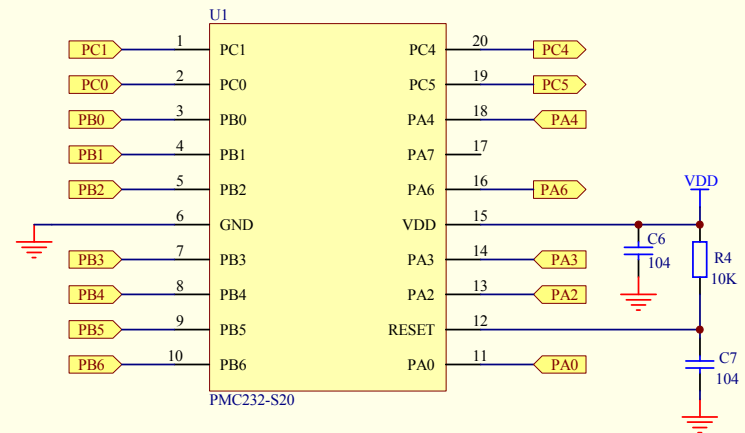


Remark: Fuse should be solder on negative battery terminal



Remark: 1.Charge current: 500mA+/-30mA.
2.Cut OFF voltage: 4.2+/-0.05V

Title		
44452-M03 (2.4G)		
Size	Number	Revision
A4	44452-M03	
Date:	14-Oct-2014	Sheet of
File:	E:\44452.M03\44452M03 PCB第二次打样	44452M03 TX & RX 已发打样.DDB

