

Annex F. Photographs

F.1 Test Sample

Sample Front	Sample Back
	
Keyboard	Screen
	
Laptop	

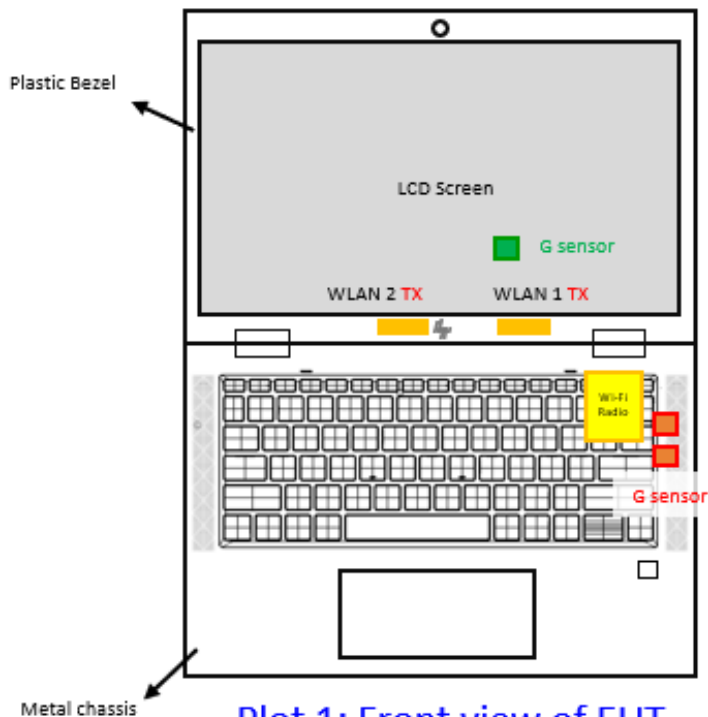
F.2 Test positions

Back Face	Bottom edge
	
Laptop	
	

F.3 Antenna host platform location and adjacent edge positions relative to the body

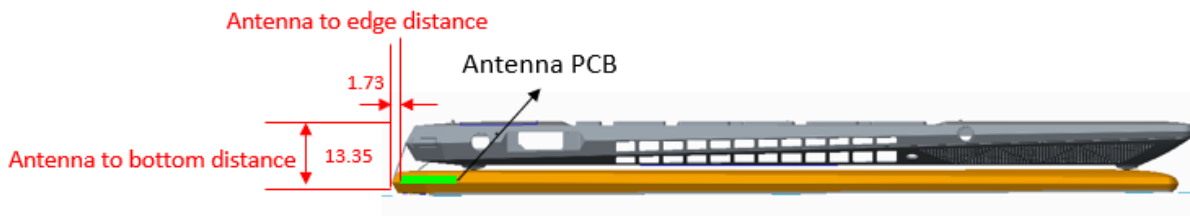
Information provided by the customer

Antenna Host Platform location and co-location separation

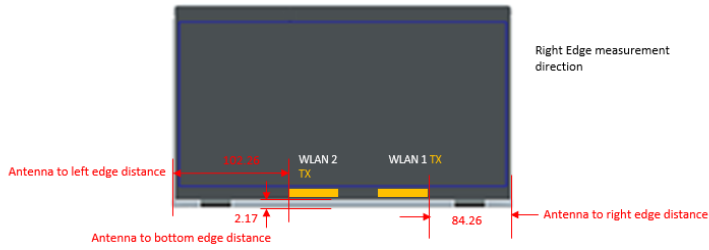


Plot 1: Front view of EUT

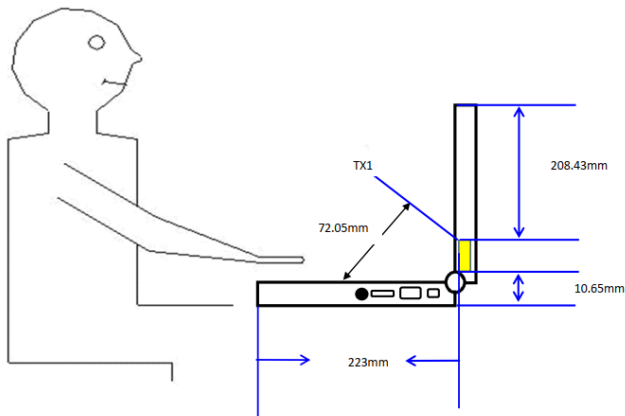
Antenna Host Platform location and co-location separation Tablet Mode



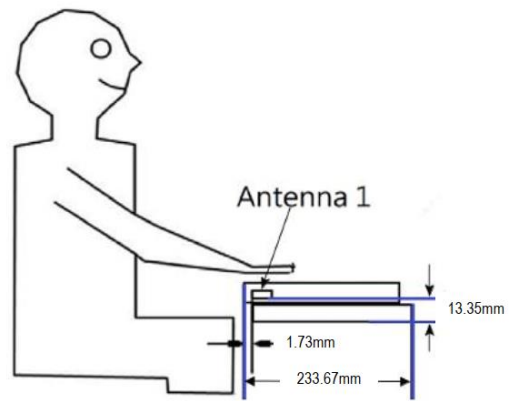
Antenna Host Platform location and co-location separation



Laptop Mode

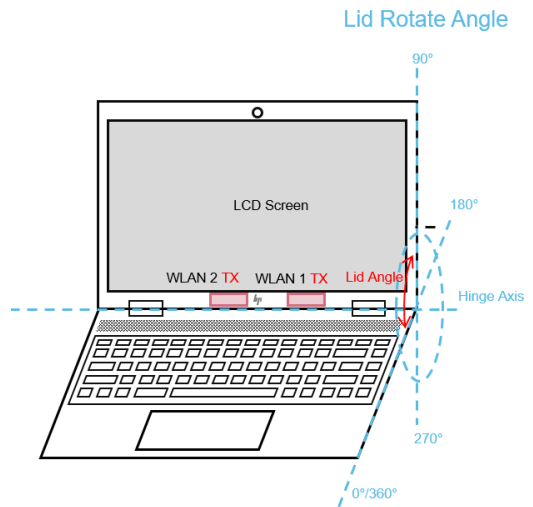


Tablet Mode



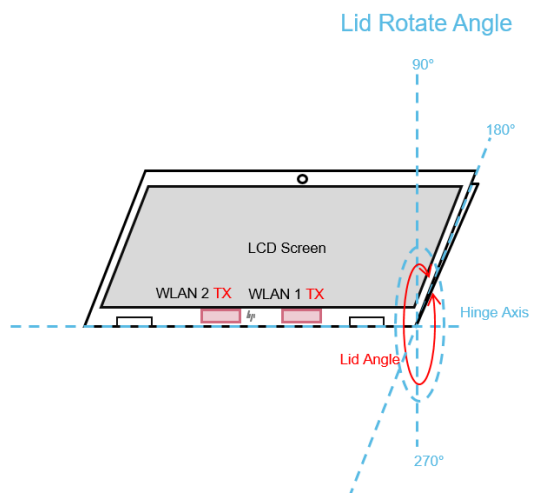
DUT Operating Mode: Laptop

DUT operating mode	Lid Angle description
Lid Close	$0^\circ \leq \text{Lid angle} < 20^\circ$ (Lid Hall Sensor Trigger)
Laptop	$20^\circ \leq \text{Lid angle} < 190^\circ$
Tablet	$190^\circ \leq \text{Lid angle} \leq 360^\circ$
Book	$20^\circ \leq \text{Lid angle} \leq 200^\circ$ (Vertical)



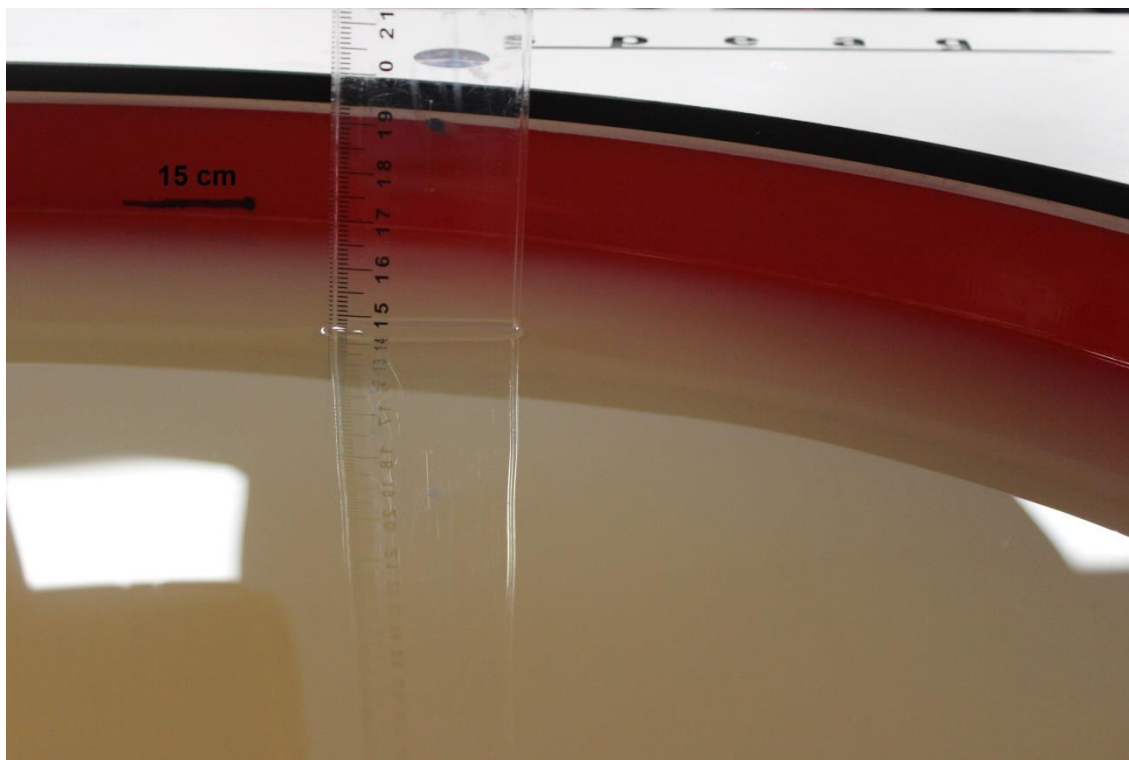
DUT Operating Mode: Tablet

DUT operating mode	Lid Angle description
Lid Close	$0^\circ \leq \text{Lid angle} < 20^\circ$ (Lid Hall Sensor Trigger)
Laptop	$20^\circ \leq \text{Lid angle} < 190^\circ$
Tablet	$190^\circ \leq \text{Lid angle} \leq 360^\circ$
Book	$20^\circ \leq \text{Lid angle} \leq 200^\circ$ (Vertical)



F.4 Phantom liquid level during measurements

ELI phantom Body liquid SAR DASY SPEAG MBBL600-6000V6 Batch - 180206-04



End of the report

This page is intentionally left blank and marks the last page of the test report.