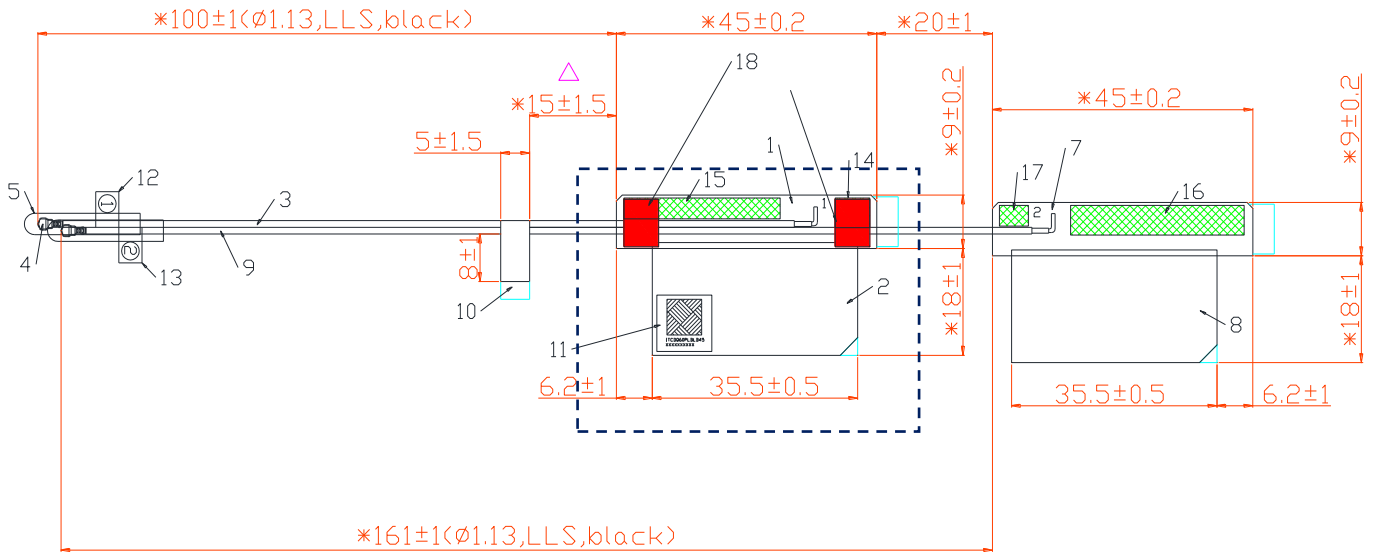


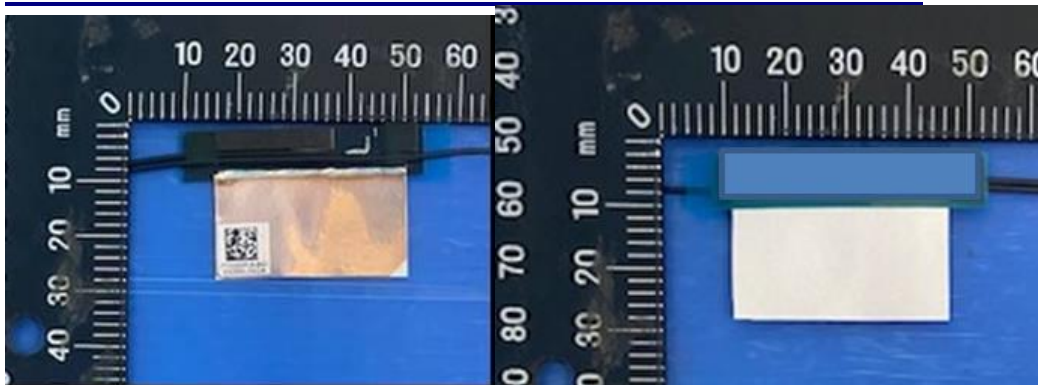
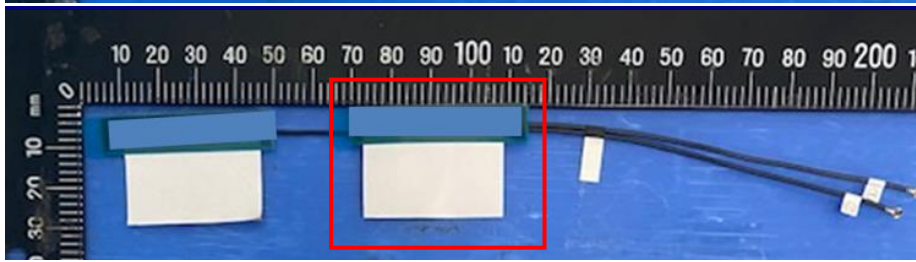
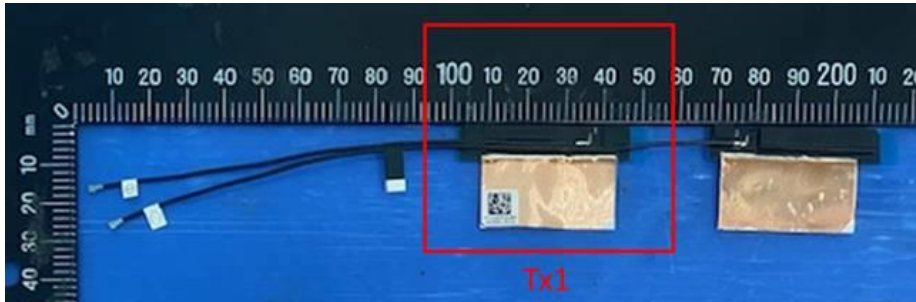
Section 2. Dimensioned Photos or Drawings of Antennas

Include a dimensioned photo and dimensioned drawing of Tx1 antenna here.

Tx1 Antenna Dimensioned Drawing:

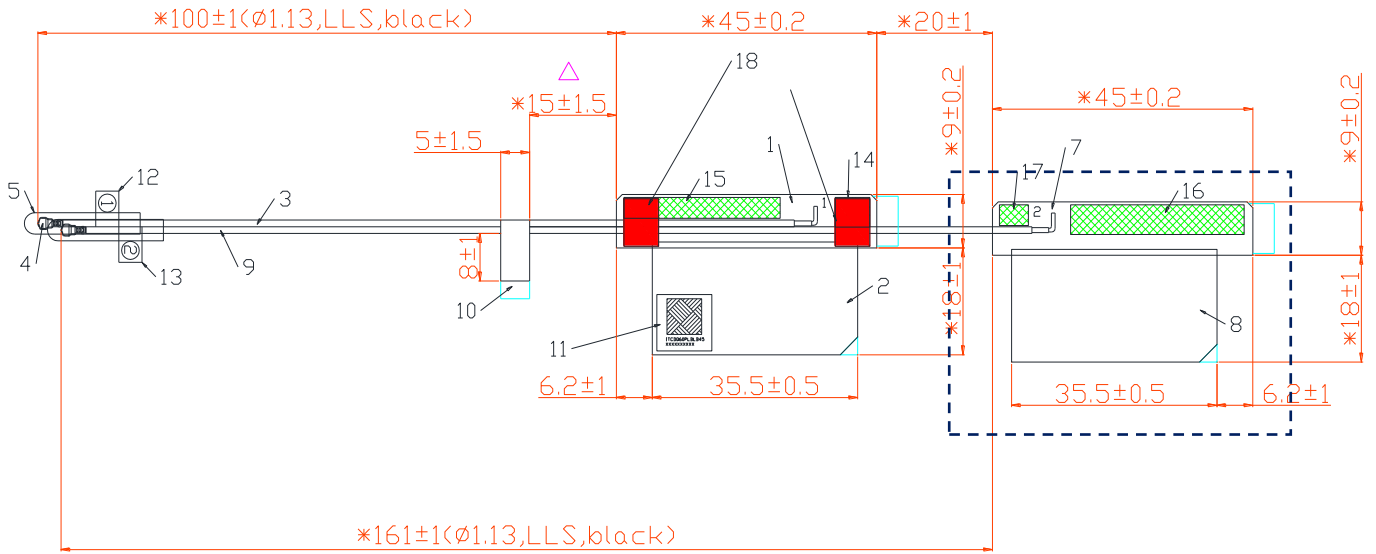


Tx1 Antenna Photo:



Include a dimensioned photo and dimensioned drawing of Tx2 (or Rx2) antenna here.

Tx2 (or Rx2) Antenna Dimensioned Drawing:



Tx2 (or Rx2) Antenna Photo:

