

TEST REPORT

EUT Description	Wireless Module installed in Laptop
Brand Name	Intel® Wi-Fi 6 AX201
Model Name	AX201D2W
FCC/IC ID	FCC ID: PD9AX201D2; IC ID :1000M-AX201D2
Date of Test Start/End	2020-04-03 / 2020-04-03
Features	802.11 ax, Dual Band, 2x2 Wi-Fi + Bluetooth® 5 (see section 5)
Description	Platform: P92F + Hong-Bo antenna

Applicant	Intel Mobile Communications
Address	100 Center Point Circle, Suite 200 / Columbia, SC 29210 / United States
Contact Person	Steven Hackett
Telephone/Fax/ Email	steven.c.hackett@intel.com

Reference Standards	FCC 47 CFR Part §2.1093 RSS-102, issue 5 (see section 1)	
RF Exposure Environment	Portable devices - General population/uncontrolled exposure	
	SAR Result	SAR Limit
Maximum SAR Result & Limit	0.78 W/kg (1g)	1.6 W/kg (1g)
Min. test separation distance	0mm to phantom, 6.48mm to antenna edge	

Test Report identification	200122-02.TR02
Revision Control	Rev. 00 This test report revision replaces any previous test report revision (see section 8)

The test results relate only to the samples tested.
 The test report shall not be reproduced in full, without written approval of the laboratory.
 Reference to accreditation shall be used only by full reproduction of test report.

Issued & Reviewed by _____

Cheiel IN
(Technical Manager)

Intel Corporation S.A.S – WRF Lab
425 rue de Goa – Le Cargo B6 - 06600 Antibes, France
Tel. +33493001400 / Fax +33493001401

Table of Contents

1. Standards, reference documents and applicable test methods	4
2. General conditions, competences and guarantees	4
3. Environmental Conditions	5
4. Test samples	5
5. EUT Features	6
6. Remarks and comments	8
7. Test Verdicts summary	8
8. Document Revision History	8
Annex A. Test & System Description	9
A.1 SAR DEFINITION.....	9
A.2 SPEAG SAR MEASUREMENT SYSTEM	10
A.2.1 SAR Measurement Setup.....	10
A.2.2 E-Field Measurement Probe.....	11
A.2.3 SAM Phantom	11
A.2.4 Flat Phantom	12
A.2.5 Device Positioner.....	12
A.3 DATA EVALUATION	13
A.4 SYSTEM AND LIQUID CHECK	15
A.4.1 System Check	15
A.4.2 Liquid Check.....	16
A.5 TEST EQUIPMENT LIST	17
A.5.1 SAR System #3.....	17
A.5.2 Shared Instrumentation	17
A.5.3 Tissue Simulant Liquid	17
A.6 MEASUREMENT UNCERTAINTY EVALUATION	18
A.7 RF EXPOSURE LIMITS	20
Annex B. Test Results	21
B.1 TEST CONDITIONS.....	21
B.1.1 Test SAR Test positions relative to the phantom.....	21
B.1.2 Test signal, Output power and Test Frequencies	21
B.1.3 Evaluation Exclusion and Test Reductions.....	22
B.2 CONDUCTED POWER MEASUREMENTS.....	24
B.2.1 WLAN 2.4GHz.....	24
B.2.2 WLAN 5GHz (U-NII)	25
B.2.3 Bluetooth	29
B.3 TISSUE PARAMETERS MEASUREMENT	30
B.4 SYSTEM CHECK MEASUREMENTS	30
B.5 SAR TEST RESULTS	31
B.5.1 802.11b/g/n/ax & 802.15 – 2.4GHz – DTS - Bluetooth.....	31
B.5.2 802.11a/n/ac/ax – 5.3 GHz – U-NII-2A	31
B.5.3 802.11a/n/ac/ax – 5.6 GHz – U-NII-2C.....	31
B.5.4 802.11a/n/ac/ax – 5.8 GHz – U-NII-3	31
B.5.5 SAR Measurement Variability.....	32
B.5.6 Simultaneous Transmission SAR Evaluation.....	33
Annex C. Test System Plots.....	34
Annex D. TSL Dielectric Parameters.....	44



D.1	BODY DTS 2450MHZ	44
D.2	BODY 5200MHZ-5800MHZ	45
Annex E.	Calibration Certificates	47
Annex F.	Photographs	49
F.1	TEST SAMPLE	49
F.2	TEST POSITIONS.....	50
F.3	ANTENNA HOST PLATFORM LOCATION AND ADJACENT EDGE POSITIONS RELATIVE TO THE BODY.....	51
F.4	PHANTOM LIQUID LEVEL DURING MEASUREMENTS	52

1. Standards, reference documents and applicable test methods

1. FCC 47 CFR Part §2.1093 – Radiofrequency radiation exposure evaluation: portable devices.
2. FCC OET KDB 248227 D01 – SAR guidance for IEEE 802.11 (Wi-Fi) transmitters.
3. FCC OET KDB 447498 D01 –RF Exposure Procedures and Equipment Authorization Policies for Mobile and Portable Devices.
4. FCC OET KDB 616217 D04 – SAR Evaluation Considerations for Laptop, Notebook, Netbook and Tablet Computers.
5. FCC OET KDB 865664 D01 – SAR Measurement Requirements for 100 MHz to 6 GHz.
6. FCC OET KDB 865664 D02 – RF Exposure Compliance Reporting and Documentation Considerations.
7. IEEE Std 1528-2013 – IEEE Recommended Practice Determining the Peak Spatial-Average Specific Absorption Rate (SAR) in the Human Head from Wireless Communication Devices: Measurement Techniques...
8. ISED RSS 102, Issue 5 – Radio Frequency (RF) Exposure Compliance of Radio communication Apparatus (All Frequency Bands).
9. ISED RSS-102 Supplementary Procedures SPR-001 SAR testing requirements with regard to bystanders for laptop type computers with antennas built-In on display screen (Laptop Mode / Tablet Mode)
10. ISED Notice 2016-DRS001 – Applicability of latest FCC RF Exposure KDB Procedures and Other Procedures.
11. ISED Notice 2012-DRS0529 – SAR correction for measured conductivity and relative permittivity based on IEC 62209-2 standard.

2. General conditions, competences and guarantees

- ✓ Tests performed under FCC standards identified in section 1 are covered by A2LA accreditation.
- ✓ Tests performed under ISED standards identified in section 1 are covered by Cofrac accreditation.
- ✓ Intel Corporation SAS Wireless RF Lab (Intel WRF Lab) is an ISO/IEC 17025:2017 laboratory accredited by the American Association for Laboratory Accreditation (A2LA) with the certificate number 3478.01.
- ✓ Intel Corporation SAS Wireless RF Lab (Intel WRF Lab) is an Accredited Test Firm recognized by the FCC, with Designation Number FR0011.
- ✓ Intel Corporation SAS Wireless RF Lab (Intel WRF Lab) is an ISO/IEC 17025:2017 testing laboratory accredited by the French Committee for Accreditation (Cofrac) with the certificate number 1-6736.
- ✓ Intel Corporation SAS Wireless RF Lab (Intel WRF Lab) is a Registered Test Site listed by ISED, with ISED #1000Y.
- ✓ Intel WRF Lab declines any responsibility with respect to the identified information provided by the customer and that may affect the validity of results.
- ✓ Intel WRF Lab only provides testing services and is committed to providing reliable, unbiased test results and interpretations.
- ✓ Intel WRF Lab is liable to the client for the maintenance of the confidentiality of all information related to the item under test and the results of the test.
- ✓ Intel WRF Lab has developed calibration and proficiency programs for its measurement equipment to ensure correlated and reliable results to its customers.
- ✓ This report is only referred to the item that has undergone the test.
- ✓ This report does not imply an approval of the product by the Certification Bodies or competent Authorities.
- ✓ Complete or partial reproduction of the report cannot be made without written permission of Intel WRF Lab.

3. Environmental Conditions

✓ At the site where the measurements were performed the following limits were not exceeded during the tests:

Temperature	22.7°C ± 2°C
Humidity	38.5% ± 10%
Liquid Temperature	21.8°C ± 2°C

4. Test samples

Sample	Control #	Description	Model	Serial #	Date of receipt	Note
#01	200122-02.S02	Wireless Module installed in Laptop	AX201D2W+P92F	2019101612270	2020-03-23	Platform with Hong-Bo antenna

5. EUT Features

Brand Name	Intel® Wi-Fi 6 AX201												
Model Name	AX201D2W												
Software Version	11.1941.0-10270												
Driver Version	21.50.0.3												
Prototype / Production	Production												
Host Identification	P92F												
Exposure Conditions	Body worn												
Supported Radios	<table border="0"> <tr> <td>802.11b/g/n/ax</td> <td>2.4GHz (2400.0 – 2483.5 MHz)</td> </tr> <tr> <td>802.11a/n/ac/ax</td> <td>5.2GHz (5150.0 – 5250.0 MHz)</td> </tr> <tr> <td></td> <td>5.3GHz (5250.0 – 5350.0 MHz)</td> </tr> <tr> <td></td> <td>5.6GHz (5470.0 – 5725.0 MHz)</td> </tr> <tr> <td></td> <td>5.8GHz (5725.0 – 5825.0 MHz)</td> </tr> <tr> <td>Bluetooth</td> <td>2.4GHz (2400.0 – 2483.5 MHz)</td> </tr> </table>	802.11b/g/n/ax	2.4GHz (2400.0 – 2483.5 MHz)	802.11a/n/ac/ax	5.2GHz (5150.0 – 5250.0 MHz)		5.3GHz (5250.0 – 5350.0 MHz)		5.6GHz (5470.0 – 5725.0 MHz)		5.8GHz (5725.0 – 5825.0 MHz)	Bluetooth	2.4GHz (2400.0 – 2483.5 MHz)
802.11b/g/n/ax	2.4GHz (2400.0 – 2483.5 MHz)												
802.11a/n/ac/ax	5.2GHz (5150.0 – 5250.0 MHz)												
	5.3GHz (5250.0 – 5350.0 MHz)												
	5.6GHz (5470.0 – 5725.0 MHz)												
	5.8GHz (5725.0 – 5825.0 MHz)												
Bluetooth	2.4GHz (2400.0 – 2483.5 MHz)												
Antenna Information "information provided by the customer"	<p>Main WLAN: Hong-Bo, Slot antenna. WiFi 2.4GHz & 5GHz and BT (DRTU CHAIN B) P/N: 025.901LQ.0011 (260-27353)</p> <p>Aux WLAN: Hong-Bo, Slot antenna. WiFi 2.4GHz & 5GHz (DRTU CHAIN A) P/N: 025.901LR.0011 (260-27354)</p> <p>See Annex F for more details on antennas location.</p>												
Simultaneous Transmission Configurations	BT Main + WLAN 2.4GHz Aux WLAN 2.4GHz Main + WLAN 2.4GHz Aux BT Main + WLAN 5GHz Aux WLAN 5GHz Main + WLAN 5GHz Aux WLAN 5GHz Main + WLAN 5GHz Aux + BT Main												
Additional Information	No WWAN transmitter is considered in this report 5.60-5.65 GHz band (TDWR) is supported by the device Band gap is supported by the device												

Supported Radios

Mode	Duty Cycle	Modulation	Band	UL Freq Range (MHz)	Measured Max. Conducted Power (dBm)
802.11b/g/n/ax	100%	BPSK QPSK 16QAM 64QAM	2.4GHz	2400-2483.5	17.45
802.11a/n/ac/ax	100%	BPSK QPSK 16QAM 64QAM 256QAM	5.2GHz	5150-5250	NM
			5.3GHz	5250-5350	15.97
			5.6GHz	5475-5725	15.93
			5.8GHz	5725-5850	17.43
BDR/EDR v5	78%	GFSK $\pi/4$ DQPSK 8DPSK	2.4GHz	2400-2483.5	7.65
Bluetooth LE v5	65%	GFSK	2.4GHz	2400-2483.5	NM

NM: Not Measured

Maximum Output power specification + Tune up tolerance limit

Radio band Name	802.11	Bandwidth (MHz)	Transmitter Chain (dBm)	
			Main	Aux
2.4GHz	BLE v5	2	4.00	
	Bluetooth v5	1	8.00	
DTS	802.11b	20	17.50	17.50
	802.11g	20	17.50	17.50
	802.11n20	20	17.50	17.50
	802.11n40	40	17.50	17.50
	802.11ax20	20	17.50	17.50
	802.11ax40	40	17.50	17.50
UNII-1	802.11a	20	16.00	16.00
	802.11n20	20	16.00	16.00
	802.11n40	40	16.00	16.00
	802.11ax20	20	16.00	16.00
	802.11ax40	40	16.00	16.00
	802.11ac80	80	16.00	16.00
UNII-2A	802.11a	20	16.00	16.00
	802.11n20	20	16.00	16.00
	802.11n40	40	16.00	16.00
	802.11ax20	20	16.00	16.00
	802.11ax40	40	16.00	16.00
	802.11ac80	80	16.00	16.00
	802.11ax80	80	16.00	16.00
	802.11ac160	160	16.00	16.00
UNII-2C	802.11a	20	16.00	16.00
	802.11n20	20	16.00	16.00
	802.11n40	40	16.00	16.00
	802.11ax20	20	16.00	16.00
	802.11ax40	40	16.00	16.00
	802.11ac80	80	16.00	16.00
	802.11ax80	80	16.00	16.00
	802.11ac160	160	16.00	16.00
UNII-3	802.11a	20	17.50	17.50
	802.11n20	20	17.50	17.50
	802.11n40	40	17.50	17.50
	802.11ax20	20	17.50	17.50
	802.11ax40	40	17.50	17.50
	802.11ac80	80	17.50	17.50
	802.11ax80	80	17.50	17.50

6. Remarks and comments

1. The conducted values are obtained by applying the BIOS SAR power values to the AX201D2W Intel module installed in the P92F identified in this report, as requested by the customer
2. Only the plots for the test positions with the highest measured SAR per band/mode are included in Annex C as required per FCC OET KDB 865664 D02, paragraph 2.3.8.

7. Test Verdicts summary

The statement of conformity to applicable standards in the table below are based on the measured values, without taking into account the measurement uncertainties.

Standard	Band	Highest Reported SAR (1g) (W/kg)	Verdict
802.11b/g/n/ax	2.4GHz	0.75	P
802.11a/n/ac/ax	5.2GHz	NM	NA
	5.3GHz	0.78	P
	5.6GHz	0.69	P
	5.8GHz	0.62	P
Bluetooth	2.4GHz	0.08	P

P: Pass
 F: Fail
 NM: Not Measured
 NA: Not Applicable

According to the FCC OET KDB 690783 D01, this is the summary of the values for the Grant Listing:

Exposure Condition	Highest Reported SAR (1g) (W/kg)		
	Equipment Class		
	DTS	DSS	U-NII
Body Worn	0.75	0.08	0.78
Simultaneous Tx	Sum-SAR:1.27	Sum-SAR:1.48	Sum-SAR: 1.48

Considering the results of the performed test according to FCC 47CFR Part 2.1093 and ISED RSS 102, Issue 5 the item under test is IN COMPLIANCE with the requested specifications specified in Section 1. Standards, reference documents and applicable test methods

8. Document Revision History

Revision #	Date	Modified by	Revision Details
Rev. 00	2020-04-10	C.In	First Issue

Annex A. Test & System Description

A.1 SAR Definition

Specific Absorption rate is defined as the time derivative of the incremental energy (dW) absorbed by (dissipated in) and incremental mass (dm) contained in a volume element (dV) of a given density (ρ).

$$SAR = \frac{d}{dt} \cdot \left(\frac{dW}{dm} \right) = \frac{d}{dt} \cdot \left(\frac{dW}{\rho \cdot dV} \right)$$

SAR is expressed in units of watts per kilogram (W/kg). SAR can be related to the electric field at a point by

$$SAR = \frac{\sigma |E|^2}{\rho}$$

Where:

σ = Conductivity of the tissue (S/m)

ρ = Mass density of the tissue (kg/m³)

E = RMS electric field strength (V/m)

A.2 SPEAG SAR Measurement System

A.2.1 SAR Measurement Setup

The DASY6 system for performing compliance tests consists of the following items:



- ✓ A standard high precision 6-axis robot (Stäubli TX/RX family) with controller, teach pendant and software. It includes an arm extension for accommodating the data acquisition electronics (DAE)
- ✓ An isotropic field probe optimized and calibrated for the targeted measurements.
- ✓ A data acquisition electronics (DAE) which performs the signal amplification, signal multiplexing, AD-conversion, offset measurements, mechanical surface detection, collision detection, etc. The unit is battery powered with standard or rechargeable batteries. The signal is optically transmitted to the EOC.
- ✓ The Electro-optical Converter (EOC) performs the conversion from optical to electrical signals for the digital communication to the DAE. The EOC signal is transmitted to the measurement server.
- ✓ The function of the measurement server is to perform the time critical tasks such as signal filtering, control of the robot operation and fast movements interrupts.
- ✓ The Light Beam used is for probe alignment. This improves the (absolute) accuracy of the probe positioning.
- ✓ A computer running Win7 professional operating system and the DASY6 software.
- ✓ Remote control and teach pendant as well as additional circuitry for robot safety such as warning lamps, etc.
- ✓ The phantom, the device holder and other accessories according to the targeted measurement.
- ✓ MAIA is a hardware interface (Antenna) used to evaluate the modulation and audio interference characteristics of RF signals.
- ✓ ANT is an ultra-wideband antenna for use with the base station simulators over 698 MHz to 6GHz.
- ✓ The base station simulator is an equipment used for SAR cellular tests in order to emulate the cellular signals characteristics and behavior between a regular base station and the equipment under test.
- ✓ Tissue simulating liquid.
- ✓ System Validation dipoles.
- ✓ Network emulator or RF test tool.

A.2.2 E-Field Measurement Probe

The probe is constructed using three orthogonal dipole sensors arranged on an interlocking, triangular prism core. The probe has built-in shielding against static charges and is contained within a PEEK cylindrical enclosure material at the tip.



The probe's characteristics are:

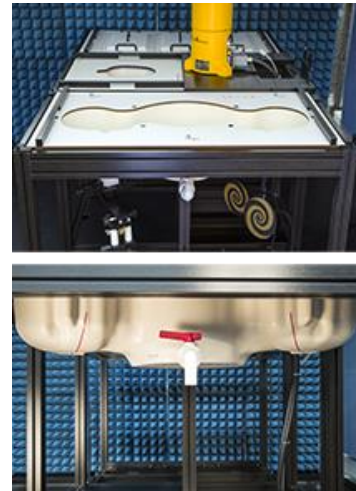
Frequency Range	30MHz – 6GHz
Length	337 mm
Probe tip external diameter	2.5 mm
Typical distance between dipoles and the probe tip	1 mm
Axial Isotropy (in human-equivalent liquids)	±0.3 dB
Hemispherical Isotropy (in human-equivalent liquids)	±0.5 dB
Linearity	±0.2 dB
Maximum operating SAR	100 W/kg
Lower SAR detection threshold	0.001 W/kg

A.2.3 SAM Phantom

The shell corresponds to the specifications of the Specific Anthropomorphic Mannequin (SAM) phantom defined in IEEE 1528 and IEC 62209-1. It enables the dosimetric evaluation of left and right hand phone usage as well as body mounted usage at the flat phantom region. A cover prevents evaporation of the liquid. Reference markings on the phantom allow the complete setup of all predefined phantom positions and measurement grids by teaching three points with the robot.

The phantom's characteristics are:

Material	Vinylester, glass fiber reinforced (VE-GF)
Shell thickness	2 mm ± 0.2 mm
Shell thickness at ERP	6 ± 0.2 mm
Filling volume	25 Liters
Dimensions	Length: 1000mm / Width: 500mm

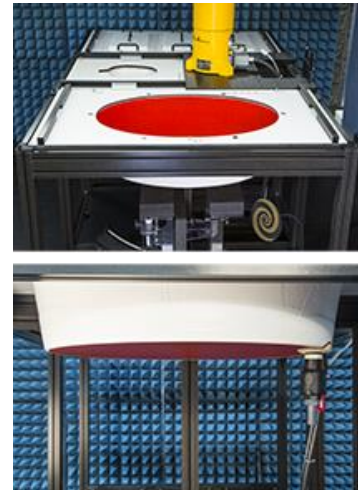


A.2.4 Flat Phantom

Phantom for compliance testing of handheld and body-mounted wireless devices in the frequency range of 30 MHz to 6 GHz. ELI is fully compatible with the IEC 62209-2 standard and all known tissue simulating liquids. ELI has been optimized regarding its performance and can be integrated into our standard phantom tables. A cover prevents evaporation of the liquid. Reference markings on the phantom allow installation of the complete setup, including all predefined phantom positions and measurement grids, by teaching three points. The phantom is compatible with all SPEAG dosimetric probes and dipoles.

The phantom's characteristics are:

Material	Vinylester, glass fiber reinforced (VE-GF)
Shell thickness	2 mm ± 0.2 mm
Filling volume	30 Liters approx.
Dimensions	Major axis: 600mm / Minor axis: 400mm



A.2.5 Device Positioner

The SAR in the phantom is approximately inversely proportional to the square of the distance between the source and the liquid surface. For a source at 5 mm distance, a positioning uncertainty of 0.5 mm would produce a SAR uncertainty of 20%. Accurate device positioning is therefore crucial for accurate and repeatable measurements. The positions in which the devices must be measured are defined by the standards.



The DASy device holder is designed to cope with the different positions given in the standard. It has two scales for device rotation (with respect to the body axis) and device inclination (with respect to the line between the ear reference points). The rotation center for both scales is the ear reference point (ERP). Thus the device needs no repositioning when changing the angles.

The DASy device holder is constructed of low-loss POM material having the following dielectric parameters: relative permittivity $\epsilon=3$ and loss tangent $\delta=0.02$. The amount of dielectric material has been reduced in the closest vicinity of the device, since measurements have suggested that the influence of the clamp on the test results could thus be lowered.

A simple but effective and easy-to-use extension for the Mounting Device; facilitates testing of larger devices according to IEC 62209-2 (e.g., laptops, cameras, etc.); lightweight and fits easily on the upper part of the Mounting Device in place of the phone positioner. The extension is fully compatible with the Twin SAM, ELI and other Flat Phantoms.



A.3 Data Evaluation

- **Power Reference measurement**

The robot measures the E field in a specified reference position that can be either the selected section's grid reference point or a user point in this section at 4mm of the inner surface of the phantom, 2mm for frequencies above 3GHz.

- **Area Scan**

Measurement procedures for evaluating SAR from wireless handsets typically start with a coarse measurement grid to determine the approximate location of the local peak SAR values. This is known as the area-scan procedure. The SAR distribution is scanned along the inside surface of one side of the phantom head, at least for an area larger than the projection of the handset and antenna. The distance between the measured points and phantom surface should be less than 8 mm, and should remain constant (with variation less than ± 1 mm) during the entire scan in order to determine the locations of the local peak SAR with sufficient accuracy. The angle between the probe axis and the surface normal line is recommended but not required to be less than 30° . If this angle is larger than 30° and the closest point on the probe-tip housing to the phantom surface is closer than a probe diameter, the boundary effect may become larger and polarization dependent. This additional uncertainty needs to be analyzed and accounted for. To achieve this, modified test procedures and additional uncertainty analyses not described in this recommended practice may be required. The measurement and interpolation point spacing should be chosen such as to allow identification of the local peak locations to within one-half of the linear dimension of a side of the zoom-scan volume. Because a local peak having specific amplitude and steep gradients may produce a lower peak spatial-average SAR compared to peaks with slightly lower amplitude and less steep gradients, it is necessary to evaluate these other peaks as well. However, since the spatial gradients of local SAR peaks are a function of the wavelength inside the tissue-equivalent liquid and the incident magnetic field strength, it is not necessary to evaluate local peaks that are less than 2 dB or more below the global maximum peak. Two-dimensional spline algorithms (Brishoual et al. 2001; Press et al., 1996) are typically used to determine the peaks and gradients within the scanned area. If a peak is found at a distance from the scan border of less than one-half the edge dimension of the desired 1 g or 10 g cube, the measurement area should be enlarged if possible.

- **Zoom Scan**

To evaluate the peak spatial-average SAR values for 1 g or 10 g cubes, fine resolution volume scans, called zoom scans, are performed at the peak SAR locations identified during the area scan. The minimum zoom scan volume size should extend at least 1.5 times the edge dimension of a 1 g cube in all directions from the center of the scan volume, for both 1 g and 10 g peak spatial-average SAR evaluations. Along the phantom curved surfaces, the front face of the volume facing the tissue/liquid interface conforms to the curved boundary, to ensure that all SAR peaks are captured. The back face should be equally distorted to maintain the correct averaging mass. The flatness and orientation of the four side faces are unchanged from that of a cube whose orientation is within $\pm 30^\circ$ of the line normal to the phantom at the center of the cube face next to the phantom surface. The peak local SAR locations that were determined in the area scan (interpolated values) should be used for the centers of the zoom scans. If a scan volume cannot be centered due to proximity of a phantom shape feature, the probe should be tilted to allow scan volume enlargement. If probe tilt is not feasible, the zoom-scan origin may be shifted, but not by more than half of the 1 g or 10 g cube edge dimension.

After the zoom-scan measurement, extrapolations from the closest measured points to the surface, for example along lines parallel to the zoom-scan centerline, and interpolations to a finer resolution between all measured and extrapolated points are performed. Extrapolation algorithm considerations are described in 6.5.3, and 3-D spline methods (Brishoual et al., 2001; Kreyszig, 1983; Press et al., 1996) can be used for interpolation. The peak spatial-average SAR is finally determined by a numerical averaging of the local SAR values in the interpolation grid, using for example a trapezoidal algorithm for the integration (averaging).

In some areas of the phantom, such as the jaw and upper head regions, the angle of the probe with respect to the line normal to the surface may be relatively large, e.g., greater than $\pm 30^\circ$, which could increase the boundary effect error to a larger level. In these cases, during the zoom scan a change in the orientation of the probe, the phantom, or both is recommended but not required for the duration of the zoom scan, so that the angle between the probe axis and the line normal to the surface is within 30° for all measurement points.

- **Power Drift measurement**

The robot re-measures the E-Field in the same reference location measured at the Power Reference. The drift measurement gives the field difference in dB from the first to the last reference reading. This allows a user to monitor the power drift of the device under test that must remain within a maximum variation of $\pm 5\%$.

- **Post-processing**

The procedure for spatial peak SAR evaluation has been implemented according to the IEEE1528 and IEC 62209-1/2 standards. It can be conducted for 1g and 10g.

The software allows evaluations that combine measured data and robot positions, such as:

- ✓ Maximum search
- ✓ Extrapolation
- ✓ Boundary correction
- ✓ Peak search for averaged SAR

Interpolation between the measured points is performed when the resolution of the grid is not fine enough to compute the average SAR over a given mass.

Extrapolation routines are used to obtain SAR values between the lowest measurement points and the inner phantom surface. The extrapolation is determined by the surface detection distance and the probe sensor offset. Several measurements at different distances are necessary for the extrapolation.

A.4 System and Liquid Check

A.4.1 System Check

The system performance check verifies that the system operates within its specifications. System and operator errors can be detected and corrected. It is recommended that the system performance check be performed prior to any usage of the system in order to guarantee reproducible results.

The system performance check uses normal SAR measurements in a simplified setup with a well characterized source. This setup was selected to give a high sensitivity to all parameters that might fail or vary over time. The system check does not intend to replace the calibration of the components, but indicates situations where the system uncertainty is exceeded due to drift or failure.

In the simplified setup for system check, the EUT is replaced by a calibrated dipole and the power source is replaced by a controlled continuous wave generated by a signal generator. The calibrated dipole must be placed beneath the flat phantom section of the phantom at the correct distance.



The equipment setup is shown below:

- ✓ Signal Generator
- ✓ Amplifier
- ✓ Directional coupler
- ✓ Power meter
- ✓ Calibrated dipole

First, the power meter PM1 (including attenuator Att1) is connected to the cable to measure the forward power at the location of the connector (x) to the system check source. The signal generator is adjusted for the desired forward power at the connector as read by power meter PM1 after attenuation Att1 and also as coupled through Att2 to PM2. After connecting the cable to the source, the signal generator is readjusted for the same reading at power meter PM2.

SAR results are normalized to a forward power of 1W to compare the values with the calibration reports results as described at IEEE 1528 and IEC 62209 standards.

A.4.2 Liquid Check

The dielectric parameters check is done prior to the use of the tissue simulating liquid. The verification is made by comparing the relative permittivity and conductivity to the values recommended by the applicable standards.

The liquid verification was performed using the following test setup:

- ✓ VNA (Vector Network Analyzer)
- ✓ Open-Short-Load calibration kit
- ✓ RF Cable
- ✓ Open-Ended Coaxial probe
- ✓ DAK software tool
- ✓ SAR Liquid
- ✓ De-ionized water
- ✓ Thermometer

These are the target dielectric properties of the tissue-equivalent liquid material as defined in FCC OET KDB 865664 D01.

Frequency (MHz)	Body SAR	
	ϵ_r (F/m)	σ (S/m)
150	61.9	0.80
300	58.2	0.92
450	56.7	0.94
835	55.2	0.97
900	55.0	1.05
1450	54.0	1.30
1800-2000	53.3	1.52
2450	52.7	1.95
3000	52.0	2.73
5800	48.2	6.00

(ϵ_r = relative permittivity, σ = conductivity and ρ = 1000 kg/m³)

The measurement system implement a SAR error compensation algorithm as documented in IEEE Std 1528-2013 (equivalent to draft standard IEEE P1528-2011) to automatically compensate the measured SAR results for deviations between the measured and required tissue dielectric parameters (applied to only scale up the measured SAR, and not downward) so, according to FCC OET KDB 865664 D01, the tolerance for ϵ_r and σ may be relaxed to $\pm 10\%$.

A.5 Test Equipment List

A.5.1 SAR System #3

ID #	Device	Type/Model	Serial Number	Manufacturer	Cal. Date	Cal. Due Date
0648	Dosimetric E-field Probe	EX3DV4	7465	SPEAG	2019-07-17	2020-07-17
0657	Data Acquisition Electronics	DAE4	1519	SPEAG	2019-07-11	2020-07-11
0628	6-axis Robot	TX60 L	F16/55FXA1/A/01	STAÜBLI	NA	NA
0630	Robot Controller	CS8C	F17/59RCB1/C/01	STAÜBLI	NA	NA
0632	Measurement Server	DASY6 P/N: SE UMS 028 BB	1547	SPEAG	NA	NA
0633	Electro-Optical Converter	EOC60	1104	SPEAG	NA	NA
0636	Light Beam Unit	SE UKS 030 AA	1030	Di-soric	NA	NA
0222	Oval Flat Phantom	ELI v5.0	1260	SPEAG	NA	NA
0638	Measurement SW	DASY6 6.8.0.14623	9-5ED1AC01	SPEAG	NA	NA
0886	Laptop Holder	P/N SM LH1 001 CD	-	SPEAG	NA	NA

A.5.2 Shared Instrumentation

ID #	Device	Type/Model	Serial Number	Manufacturer	Cal. Date	Cal. Due Date
0013	USB Power Sensor	NRP-Z81	101152	R&S	2018-04-16	2020-04-16
0098	USB Power Sensor	NRP-Z81	102278	R&S	2019-04-02	2021-04-02
0099	USB Power Sensor	NRP-Z81	102279	R&S	2019-04-02	2021-04-02
0114	Vector Signal Generator	ESG E4438C	MY45092885	Agilent	NA	NA
0170	Power Amplifier	SAM-01	151922	ETS-Lindgren	NA	NA
0224	Liquid measurement SW	DAK-3.5 V2.6.0.5	9-2687B491	SPEAG	NA	NA
0237	Dielectric Probe Kit	DAK-3.5	1037	SPEAG	2019-07-16	2021-07-16
0239	2450MHz System Validation Dipole	D2450V2	937	SPEAG	2018-05-18	2020-05-18
0412	Coupler	CD0.5-8-20-30	1251-002	Amd-group	NA	NA
0124	5GHz System Validation Dipole	D5GHZv2	1164	SPEAG	2019-05-20	2021-05-20
0619	USB Power Sensor	NRP-Z81	104381	R&S	2018-04-16	2020-04-16
0655	Vector Reflectometer	PLANAR R140	0190616	Copper Mountain Technologies	2019-08-07	2021-08-07
0799	Temp & Humidity Logger	RA32E-TH1-RAS	RA32-FBFD5A	AVTECH	2019-06-27	2021-06-27
0880	Thermometer	925	34822881	Testo	2019-11-19	2021-11-19

A.5.3 Tissue Simulant Liquid

TSL	Manufacturer / Model	Freq Range (MHz)	Main Ingredients
Body WideBand	SPEAG MBBL600-6000V6 Batch 180206-4	600-6000	Ethanediol, Sodium petroleum sulfonate, Hexylene Glycol / 2-Methyl-pentane-2.4-diol, Alkoxylated alcohol

A.6 Measurement Uncertainty Evaluation

The system uncertainty evaluation is shown in the below table:

SAR System #3

SPEAG DASY6 Uncertainty Budget According to IEEE 1528-2013 and IEC 62209-1/2016 (0.3 - 6 GHz range)								
Error Description	Uncert. value	Prob. Dist.	Div.	(ci) 1g	(ci) 10g	Std. Unc. (1g)	Std. Unc. (10g)	(vi) v _{eff}
Measurement System								
Probe Calibration	±7.00	N	1	1	1	±7.00	±7.00	∞
Axial Isotropy	±4.7 %	R	√3	0.7	0.7	±1.9 %	±1.9 %	∞
Hemispherical Isotropy	±9.6 %	R	√3	0.7	0.7	±3.9 %	±3.9 %	∞
Boundary Effects	±2.0 %	R	√3	1	1	±1.2 %	±1.2 %	∞
Linearity	±4.7 %	R	√3	1	1	±2.7 %	±2.7 %	∞
System Detection Limits	±1.0 %	R	√3	1	1	±0.6 %	±0.6 %	∞
Modulation Response	±2.4 %	R	√3	1	1	±1.4 %	±1.4 %	∞
Readout Electronics	±0.3 %	N	1	1	1	±0.3 %	±0.3 %	∞
Response Time	±0.8 %	R	√3	1	1	±0.5 %	±0.5 %	∞
Integration Time	±2.6 %	R	√3	1	1	±1.5 %	±1.5 %	∞
RF Ambient Noise	±3.0 %	R	√3	1	1	±1.7 %	±1.7 %	∞
RF Ambient Reflections	±3.0 %	R	√3	1	1	±1.7 %	±1.7 %	∞
Probe Positioner	±0.04 %	R	√3	1	1	±0.0 %	±0.0 %	∞
Probe Positioning	±0.8 %	R	√3	1	1	±0.5 %	±0.5 %	∞
Max. SAR Eval.	±4.0 %	R	√3	1	1	±2.3 %	±2.3 %	∞
Test Sample Related								
Device Positioning	±2.9 %	N	1	1	1	±2.9 %	±2.9 %	145
Device Holder	±3.6 %	N	1	1	1	±3.6 %	±3.6 %	5
Power Drift	±5.0 %	R	√3	1	1	±2.9 %	±2.9 %	∞
Power Scaling	±0.0 %	R	√3	1	1	±0.0 %	±0.0 %	∞
Phantom and Setup								
Phantom Uncertainty	±6.6 %	R	√3	1	1	±3.8 %	±3.8 %	∞
SAR correction	±1.9 %	N	√3	1	0.84	±1.9 %	±1.6 %	∞
Liquid Conductivity (mea.) DAK	±2.5 %	N	√3	0.78	0.71	±2.0 %	±1.8 %	∞
Liquid Permittivity (mea.) DAK	±2.5 %	N	√3	0.23	0.26	±0.6 %	±0.7 %	∞
Temp. unc. - Conductivity BB	±3.4 %	R	√3	0.78	0.71	±1.5 %	±1.4 %	∞
Temp. unc. - Permittivity BB	±0.4 %	R	√3	0.23	0.26	±0.1 %	±0.1 %	∞
Combined Std. Uncertainty						±11.6 %	±11.5 %	569
Expanded STD Uncertainty						±23.2%	±23.00 %	

SPEAG DASY6 Uncertainty Budget According to IEC 62209-2/2010 (30 MHz - 6 GHz range)								
Error Description	Uncert. value	Prob. Dist.	Div.	(ci) 1g	(ci) 10g	Std. Unc. (1g)	Std. Unc. (10g)	(vi) v _{eff}
Measurement System								
Probe Calibration	±7.00 %	N	1	1	1	±7.00 %	±7.00 %	∞
Axial Isotropy	±4.7 %	R	√3	0.7	0.7	±1.9 %	±1.9 %	∞
Hemispherical Isotropy	±9.6 %	R	√3	0.7	0.7	±3.9 %	±3.9 %	∞
Linearity	±4.7 %	R	√3	1	1	±2.7 %	±2.7 %	∞
Modulation Response	±2.4 %	R	√3	1	1	±1.4 %	±1.4 %	∞
System Detection Limits	±1.0 %	R	√3	1	1	±0.6 %	±0.6 %	∞
Boundary Effects	±2.0 %	R	√3	1	1	±1.2 %	±1.2 %	∞
Readout Electronics	±0.3 %	N	1	1	1	±0.3 %	±0.3 %	∞
Response Time	±0.8 %	R	√3	1	1	±0.5 %	±0.5 %	∞
Integration Time	±2.6 %	R	√3	1	1	±1.5 %	±1.5 %	∞
RF Ambient Noise	±3.0 %	R	√3	1	1	±1.7 %	±1.7 %	∞
RF Ambient Reflections	±3.0 %	R	√3	1	1	±1.7 %	±1.7 %	∞
Probe Positioner	±0.04 %	R	√3	1	1	±0.0 %	±0.0 %	∞
Probe Positioning	±0.8 %	R	√3	1	1	±0.5 %	±0.5 %	∞
Post-processing	±4.0 %	R	√3	1	1	±2.3 %	±2.3 %	∞
Test Sample Related								
Device Holder	±3.6 %	N	1	1	1	±3.6 %	±3.6 %	5
Test sample Positioning	±2.9 %	N	1	1	1	±2.9 %	±2.9 %	145
Power Scaling	±0.0 %	R	√3	1	1	±0.0 %	±0.0 %	∞
Power Drift	±5.0 %	R	√3	1	1	±2.9 %	±2.9 %	∞
Phantom and Setup								
Phantom Uncertainty	±7.6 %	R	√3	1	1	±4.4 %	±4.4 %	∞
SAR correction	±1.9 %	N	√3	1	0.84	±1.9 %	±1.6 %	∞
Liquid Conductivity (mea.) DAK	±2.5 %	N	√3	0.78	0.71	±2.0 %	±1.8 %	∞
Liquid Permittivity (mea.) DAK	±2.5 %	N	√3	0.23	0.26	±0.6 %	±0.7 %	∞
Temp. unc. - Conductivity BB	±3.4 %	R	√3	0.78	0.71	±1.5 %	±1.4 %	∞
Temp. unc. - Permittivity BB	±0.4 %	R	√3	0.23	0.26	±0.1 %	±0.1 %	∞
Combined Std. Uncertainty						±11.6 %	±11.6 %	605
Expanded STD Uncertainty						±23.3 %	±23.2 %	

A.7 RF Exposure Limits

SAR assessments have been made in line with the requirements of FCC 47CFR Part 2.1093 and ISED RSS 102 issue 5 on the limitation of exposure of the general population / uncontrolled exposure for portable devices.

Exposure Type	General Population / Uncontrolled Environment
Peak spatial-average SAR (averaged over any 1 gram of tissue)	1.6 W/kg
Whole body average SAR	0.08 W/kg
Peak spatial-average SAR (extremities) (averaged over any 10 grams of tissue)	4.0 W/kg

Annex B. Test Results

B.1 Test Conditions

B.1.1 Test SAR Test positions relative to the phantom

The device under test was an Intel® Wi-Fi 6 AX201 card inside a Notebook host platform (P92F) using a set of slot antennas. The card was operated utilizing proprietary software (DRTU version 11.1941.0-10270) and each channel was measured using a broadband power meter to determine the maximum average power.

According to FCC OET KDB 616217 D04, laptop position should be tested for SAR compliance with the display screen opened at an angle of 90° to the keyboard compartment and the notebook bottom surface must be touching the phantom.

See B.1.3.1 for a more detailed list of the applied reductions.

See F.2 *Test positions* section for more information on the tested positions.

B.1.2 Test signal, Output power and Test Frequencies

For 802.11 transmission modes the device was put into operation by using an own control software to program the test mode required to select the continuous transmission with 100% duty cycle.

The output power of the device was set to transmit at maximum power for all tests.

B.1.3 Evaluation Exclusion and Test Reductions

B.1.3.1 SAR evaluation exclusion

The SAR Test Exclusion Threshold in FCC OET KDB 447498 D01 v06 can be applied to determine SAR test exclusion for adjacent edge configurations. For 100MHz to 6GHz and test separation distances ≤50mm, the 1-g and 10-g SAR test exclusion thresholds are determined by the following formula:

$$[(\text{max. power of channel, including tune – up tolerance, mW}) / (\text{min. test separation distance, mm})] \cdot \sqrt{f_{\text{(GHz)}}} \leq 3.0 \text{ for } 1g \text{ SAR, and } \leq 7.5 \text{ for } 10g \text{ extremity SAR} \quad (1)$$

Where:

- f(GHz) is the RF channel transmit frequency in GHz
- Power and distance are rounded to the nearest mW and mm before calculation
- The result is rounded to one decimal place for comparison
- The values 3.0 and 7.5 are referred to as numeric thresholds

The test exclusions are applicable only when the minimum test separation distance is ≤ 50 mm, and for transmission frequencies between 100 MHz and 6 GHz. When the minimum test separation distance is < 5 mm, a distance of 5 mm is applied to determine SAR test exclusion.

For test separation distances > 50 mm, the 1-g and 10-g SAR test exclusion thresholds are determined using the following formulas:

$$((\text{Power allowed at numeric threshold for 50 mm in (1)}) + (\text{test separation distance} - 50 \text{ mm}) \cdot (f_{\text{MHz}}/150))\text{mW}, \quad (2)$$

for 100MHz to 1500MHz

$$((\text{Power allowed at numeric threshold for 50 mm in (1)}) + (\text{test separation distance} - 50 \text{ mm}) \cdot 10)\text{mW}, \quad (3)$$

for 1500MHz and ≤ 6GHz

LAN Antenna	Band Name	Output power		Laptop	Laptop
		dBm	mW		
WLAN Main	DTS	17.5	56.2	<50	T
	U-NII-1	16.0	39.8	<50	R
	U-NII-2A	16.0	39.8	<50	T
	U-NII-2C	16.0	39.8	<50	T
	U-NII-3	17.5	56.2	<50	T
	BT	8.0	6.3	<50	T
WLAN Aux	DTS	17.5	50.1	<50	T
	U-NII-1	16.0	39.8	<50	R
	U-NII-2A	16.0	39.8	<50	T
	U-NII-2C	16.0	39.8	<50	T
	U-NII-3	17.5	56.2	<50	T

T: Tested position
R: Reduced

See Annex F for a more detailed explanation of the separation distance related to the platform.

B.1.3.2 General SAR test reduction

According to FCC OET KDB 447498 D01, testing of other required channels within the operating mode of a frequency band is not required when the reported 1-g or 10-g SAR for the mid-band or highest output power channel is:

- ≤ 0.8 W/kg or 2.0 W/kg, for 1-g or 10-g respectively, when the transmission band is ≤ 100 MHz
- ≤ 0.6 W/kg or 1.5 W/kg, for 1-g or 10-g respectively, when the transmission band is between 100 MHz and 200 MHz
- ≤ 0.4 W/kg or 1.0 W/kg, for 1-g or 10-g respectively, when the transmission band is ≥ 200 MHz

WLAN SAR Test reduction

Transmission Mode	SAR test exclusion/reduction
DSSS	<p>According to FCC OET KDB 248227 D01, SAR is measured for 2.4 GHz 802.11b, SAR test reduction is determined according to the following:</p> <ul style="list-style-type: none"> ▪ When the reported SAR of the highest measured maximum output power channel for the exposure configuration is ≤ 0.8 W/kg, no further SAR testing is required for 802.11b DSSS in that exposure configuration. ▪ When the reported SAR is > 0.8 W/kg, SAR is required for that exposure configuration using the next highest measured output power channel. When any reported SAR is > 1.2 W/kg, SAR is required for the third channel. <p>According to FCC OET KDB 248227 D01, SAR is not required for 2.4 GHz OFDM conditions when the highest reported SAR for DSSS is adjusted by the ratio of OFDM to DSSS specified maximum output power and the adjusted SAR is ≤ 1.2 W/kg.</p>
OFDM	<p>According to FCC OET KDB 248227 D01, 802.11a/g/n/ac modes have the same specified maximum output power, largest channel bandwidth, lowest order modulation and lowest data rate, the lowest order 802.11 mode is selected; i.e., 802.11a is chosen over 802.11n then 802.11ac or 802.11g is chosen over 802.11n.</p> <p>According to FCC OET KDB 248227 D01, an <i>initial test configuration</i> is determined for OFDM and DSSS transmission modes according to the channel bandwidth, modulation and data rate combination(s) with the highest maximum output power specified for production units in each standalone and aggregated frequency band. SAR is measured using the highest measured maximum output power channel. SAR test reduction for subsequent highest output test channels is determined according to reported SAR of the initial test configuration.</p> <p>The <i>initial test configuration</i> for 5 GHz OFDM transmission modes is determined by the 802.11 configuration with the highest maximum output power specified for production units, including tune-up tolerance, in each standalone and aggregated frequency band. SAR for the initial test configuration is measured using the highest maximum output power channel determined by the default power measurement procedures.</p> <p>According to FCC OET KDB 248227 D01, when the reported SAR of the initial test configuration is > 0.8 W/kg, SAR measurement is required for subsequent next highest measured output power channel(s) in the initial test configuration until reported SAR is ≤ 1.2 W/kg or all required channels are tested.</p>

B.2 Conducted Power Measurements

B.2.1 WLAN 2.4GHz

Radio	Band	802.11	Bandwidth (MHz)	Rate (Mbps)	Channel	Frequency (MHz)	Main (dBm)	Aux (dBm)	Tune-up Power
DTS	2.4GHz	802.11b	20	1	1	2412	17.41	17.45	17.50
					6	2437	17.44	17.39	17.50
					11	2462	17.40	17.45	17.50
		802.11g		6	1	2412	NR	NR	17.50
					6	2437	NR	NR	17.50
					11	2462	NR	NR	17.50
		802.11n20		HT0	1	2412	NR	NR	17.50
					6	2437	NR	NR	17.50
					11	2462	NR	NR	17.50
		802.11ax20	HE0	1	2412	NR	NR	17.50	
				6	2437	NR	NR	17.50	
				11	2462	NR	NR	17.50	
		802.11n40	HT0	3	2422	NR	NR	17.50	
				6	2437	NR	NR	17.50	
				9	2452	NR	NR	17.50	
		802.11ax40	HE0	3	2422	NR	NR	17.50	
				6	2437	NR	NR	17.50	
				9	2452	NR	NR	17.50	

Initial test configuration

- NR: Not Required:
 - As per FCC OET KDB 248227 D01, conducted output power and SAR testing are not required for 802.11g/n/ax channels when the highest reported SAR for DSSS is adjusted by the ratio of OFDM to DSSS specified maximum output power and the adjusted SAR is $\leq 1.2\text{W/kg}$.
 - When the reported SAR of the initial test configuration is $> 0.8\text{ W/kg}$, SAR measurement is required for subsequent next highest measured output power channel(s) in the initial test configuration until reported SAR is $\leq 1.2\text{ W/kg}$ or all required channels are tested.

B.2.2 WLAN 5GHz (U-NII)

B.2.2.1 5.2GHz and 5.3GHz (U-NII-1 and U-NII-2A)

Radio	Band	802.11	Bandwidth (MHz)	Rate (Mbps)	Channel	Frequency (MHz)	Main (dBm)	Aux (dBm)	Tune-up Power
UNII-1	5.2GHz	802.11a	20	6	36	5180	NR	NR	16.00
					40	5200	NR	NR	16.00
					44	5220	NR	NR	16.00
					48	5240	NR	NR	16.00
		802.11n20		HT0	36	5180	NR	NR	16.00
					40	5200	NR	NR	16.00
					44	5220	NR	NR	16.00
					48	5240	NR	NR	16.00
		802.11ax20		HE0	36	5180	NR	NR	16.00
					40	5200	NR	NR	16.00
					44	5220	NR	NR	16.00
					48	5240	NR	NR	16.00
		802.11n40		HT0	38	5190	NR	NR	16.00
					46	5230	NR	NR	16.00
		802.11ax40		HE0	38	5190	NR	NR	16.00
					46	5230	NR	NR	16.00
802.11ac80	VHT0	42	5210	NR	NR	16.00			
802.11ax80			HE0	5210	NR	NR	16.00		

Initial test configuration

- NR: Not Required:
 - When the same maximum output power is specified for both bands, begin SAR measurement in U-NII-2A band by applying the OFDM SAR requirements. If the highest reported SAR for a test configuration is ≤ 1.2 W/kg, SAR is not required for U-NII-1 band (see §B.5.2 in this document).
 - Additional conducted power measurement is required when reported SAR is > 1.2 W/kg. In case the subsequent test configuration and the channel bandwidth is smaller than the initial test configuration, all channels that overlap with the larger channel bandwidth in the initial configuration should be tested.
 - The initial test configuration for 2.4 GHz and 5 GHz OFDM transmission modes is determined by the 802.11 configuration with the highest maximum output power specified for production units, including tune-up tolerance, in each standalone and aggregated frequency band. SAR for the initial test configuration is measured using the highest maximum output power channel determined by the default power measurement procedures. When multiple transmission modes (802.11a/g/n/ac) have the same specified maximum output power, largest channel bandwidth, lowest order modulation and lowest data rate, lowest order 802.11 mode is selected (i.e. a, g, n, ac then ax)
 - When the reported SAR of the initial test configuration is > 0.8 W/kg, SAR measurement is required for the subsequent next highest measured output power channel(s) in the initial test configuration until reported SAR is $=1.2$ W/kg or all required channels are tested.
 - When the highest reported SAR for the initial test configuration (when applicable, include subsequent highest output channels), according to the initial test position or fixed exposure requirements, is adjusted by the ratio of the subsequent test configuration to the initial test configuration specified maximum output power and the adjusted SAR is ≤ 1.2 W/Kg, SAR is not required for that subsequent test configuration
 - SAR for subsequent highest measured maximum output power channels in the subsequent test configuration is required only when the reported SAR of the preceding higher maximum output power channel(s) in the subsequent test configuration is > 1.2 W/Kg or until all required channels are tested

Radio	Band	802.11	Bandwidth (MHz)	Rate (Mbps)	Channel	Frequency (MHz)	Main (dBm)	Aux (dBm)	Tune-up Power
UNII-2A	5.3GHz	802.11a	20	6	52	5260	NR	NR	16.00
					56	5280	NR	NR	16.00
					60	5300	NR	NR	16.00
					64	5320	NR	NR	16.00
		802.11n20	20	HT0	52	5260	NR	NR	16.00
					56	5280	NR	NR	16.00
					60	5300	NR	NR	16.00
					64	5320	NR	NR	16.00
		802.11ax20	20	HE0	52	5260	NR	NR	16.00
					56	5280	NR	NR	16.00
					60	5300	NR	NR	16.00
					64	5320	NR	NR	16.00
		802.11n40	40	HT0	54	5270	NR	NR	16.00
					62	5310	NR	NR	16.00
				HE0	54	5270	NR	NR	16.00
					62	5310	NR	NR	16.00
802.11ac80	80	VHT0	58	5290	NR	NR	16.00		
		HE0		5290	NR	NR	16.00		
802.11ac160	160	VHT0	50	5250	15.97	15.91	16.00		
		HE0		5250	NR	NR	16.00		

Initial test configuration

1. NR: Not Required:
 - The initial test configuration for 2.4 GHz and 5 GHz OFDM transmission modes is determined by the 802.11 configuration with the highest maximum output power specified for production units, including tune-up tolerance, in each standalone and aggregated frequency band. SAR for the initial test configuration is measured using the highest maximum output power channel determined by the default power measurement procedures. When multiple transmission modes (802.11a/g/n/ac) have the same specified maximum output power, largest channel bandwidth, lowest order modulation and lowest data rate, lowest order 802.11 mode is selected (i.e. a, g, n, ac then ax)
 - Additional conducted power measurement is required when reported SAR is > 1.2W/kg. In case the subsequent test configuration and the channel bandwidth is smaller than the initial test configuration, all channels that overlap with the larger channel bandwidth in the initial configuration should be tested.
 - When the reported SAR of the initial test configuration is > 0.8W/kg, SAR measurement is required for the subsequent next highest measured output power channel(s) in the initial test configuration until reported SAR is ≤1.2W/kg or all required channels are tested.
 - When the highest reported SAR for the initial test configuration (when applicable, include subsequent highest output channels), according to the initial test position or fixed exposure requirements, is adjusted by the ratio of the subsequent test configuration to the initial test configuration specified maximum output power and the adjusted SAR is ≤1.2 W/Kg, SAR is not required for that subsequent test configuration.
 - SAR for subsequent highest measured maximum output power channels in the subsequent test configuration is required only when the reported SAR of the preceding higher maximum output power channel(s) in the subsequent test configuration is >1.2 W/Kg or until all required channels are tested.

B.2.2.2 5.6 (U-NII-2C)

Radio	Band	802.11	Bandwidth (MHz)	Rate (Mbps)	Channel	Frequency (MHz)	Main (dBm)	Aux (dBm)	Tune-up Power
UNII-2C	5.6GHz	802.11a	20	6	100	5500	NR	NR	16.00
					104	5520	NR	NR	16.00
					108	5540	NR	NR	16.00
					112	5560	NR	NR	16.00
					116	5580	NR	NR	16.00
					120	5600	NR	NR	16.00
		802.11n20		HT0	124	5620	NR	NR	16.00
					128	5640	NR	NR	16.00
					100	5500	NR	NR	16.00
					104	5520	NR	NR	16.00
					108	5540	NR	NR	16.00
					112	5560	NR	NR	16.00
		802.11ax20		HE0	116	5580	NR	NR	16.00
					120	5600	NR	NR	16.00
					124	5620	NR	NR	16.00
					128	5640	NR	NR	16.00
					100	5500	NR	NR	16.00
					104	5520	NR	NR	16.00
		802.11n40		HT0	108	5540	NR	NR	16.00
					112	5560	NR	NR	16.00
					116	5580	NR	NR	16.00
					120	5600	NR	NR	16.00
		802.11ax40		HE0	124	5620	NR	NR	16.00
					128	5640	NR	NR	16.00
					102	5510	NR	NR	16.00
					110	5550	NR	NR	16.00
		802.11ac80		VHT0	118	5590	NR	NR	16.00
					126	5630	NR	NR	16.00
					102	5510	NR	NR	16.00
					110	5550	NR	NR	16.00
		802.11ax80		HE0	118	5590	NR	NR	16.00
					126	5630	NR	NR	16.00
					106	5530	NR	NR	16.00
					122	5610	NR	NR	16.00
		802.11ac160		VHT0	106	5530	NR	NR	16.00
					122	5610	NR	NR	16.00
114	5570		15.93		15.88	16.00			
114	5570		NR		NR	16.00			
802.11ax160	HE0								

Initial test configuration

- NR: Not Required:
 - When band gap channels between U-NII-2C and U-NII-3 band are supported channels in U-NII-2C band below 5.65 GHz are considered as one band and channels above 5.65 GHz, together with channels in 5.8 GHz U-NII-3 or §15.247 band, are considered as a separate band
 - Additional conducted power measurement is required when reported SAR is > 1.2W/kg. In case the subsequent test configuration and the channel bandwidth is smaller than the initial test configuration, all channels that overlap with the larger channel bandwidth in the initial configuration should be tested
 - The initial test configuration for 2.4 GHz and 5 GHz OFDM transmission modes is determined by the 802.11 configuration with the highest maximum output power specified for production units, including tune-up tolerance, in each standalone and aggregated frequency band. SAR for the initial test configuration is measured using the highest maximum output power channel determined by the default power measurement procedures. When multiple transmission modes (802.11a/g/n/ac) have the same specified maximum output power, largest channel bandwidth, lowest order modulation and lowest data rate, lowest order 802.11 mode is selected (i.e. a, g, n, ac then ax)
 - When the reported SAR of the initial test configuration is > 0.8W/kg, SAR measurement is required for the subsequent next highest measured output power channel(s) in the initial test configuration until reported SAR is ≤1.2W/kg or all required channels are tested.
 - When the highest reported SAR for the initial test configuration (when applicable, include subsequent highest output channels), according to the initial test position or fixed exposure requirements, is adjusted by the ratio of the subsequent test configuration to the initial test configuration specified maximum output power and the adjusted SAR is ≤1.2 W/Kg, SAR is not required for that subsequent test configuration.
 - SAR for subsequent highest measured maximum output power channels in the subsequent test configuration is required only when the reported SAR of the preceding higher maximum output power channel(s) in the subsequent test configuration is >1.2 W/Kg or until all required channels are tested.

B.2.2.3 5.8GHz (U-NII-3)

Radio	Band	802.11	Bandwidth (MHz)	Rate (Mbps)	Channel	Frequency (MHz)	Main (dBm)	Aux (dBm)	Tune-up Power	
UNII-3	5.6GHz	802.11a	20	6	132	5660	NR	NR	17.50	
					136	5680	NR	NR	17.50	
					140	5700	NR	NR	17.50	
		802.11n20		HT0	132	5660	NR	NR	17.50	
					136	5680	NR	NR	17.50	
					140	5700	NR	NR	17.50	
		802.11ax20		HE0	132	5660	NR	NR	17.50	
					136	5680	NR	NR	17.50	
					140	5700	NR	NR	17.50	
		802.11n40		HT0	40	134	5670	NR	NR	17.50
						142	5710	NR	NR	17.50
						802.11ax40	HE0	134	5670	NR
		142		5710				NR	NR	17.50
		802.11ac80		VHT0				80	138	5690
	802.11ax80		HE0			138	5690		NR	NR
		802.11a		6		144	5720		NR	NR
	149		5745			NR	NR		17.50	
	153		5765			NR	NR		17.50	
	157		5785			NR	NR		17.50	
	161		5805			NR	NR		17.50	
	165		5825			NR	NR		17.50	
	802.11n20	HT0	144	5720		NR	NR	17.50		
			149	5745		NR	NR	17.50		
			153	5765	NR	NR	17.50			
			157	5785	NR	NR	17.50			
			161	5805	NR	NR	17.50			
			165	5825	NR	NR	17.50			
	802.11ax20	HE0	144	5720	NR	NR	17.50			
			149	5745	NR	NR	17.50			
			153	5765	NR	NR	17.50			
			157	5785	NR	NR	17.50			
			161	5805	NR	NR	17.50			
165			5825	NR	NR	17.50				
802.11n40	HT0	40	151	5755	NR	NR	17.50			
			159	5795	NR	NR	17.50			
802.11ax40	HE0		151	5755	NR	NR	17.50			
			159	5795	NR	NR	17.50			
802.11ac80	VHT0		80	155	5775	17.43	17.38	17.50		
					802.11ax80	HE0	5775	NR	NR	17.50

Initial test configuration

1. NR: Not Required

- When band gap channels between U-NII-2C and U-NII-3 band are supported channels in U-NII-2C band below 5.65 GHz are considered as one band and channels above 5.65 GHz, together with channels in 5.8 GHz U-NII-3 or §15.247 band, are considered as a separate band
- Additional conducted power measurement is required when reported SAR is > 1.2W/kg. In case the subsequent test configuration and the channel bandwidth is smaller than the initial test configuration, all channels that overlap with the larger channel bandwidth in the initial configuration should be tested
- The initial test configuration for 2.4 GHz and 5 GHz OFDM transmission modes is determined by the 802.11 configuration with the highest maximum output power specified for production units, including tune-up tolerance, in each standalone and aggregated frequency band. SAR for the initial test configuration is measured using the highest maximum output power channel determined by the default power measurement procedures. When multiple transmission modes (802.11a/g/n/ac) have the same specified maximum output power, largest channel bandwidth, lowest order modulation and lowest data rate, lowest order 802.11 mode is selected (i.e. a, g, n, ac then ax)
- When the reported SAR of the initial test configuration is > 0.8W/kg, SAR measurement is required for the subsequent next highest measured output power channel(s) in the initial test configuration until reported SAR is ≤1.2W/kg or all required channels are tested.
- When the highest reported SAR for the initial test configuration (when applicable, include subsequent highest output channels), according to the initial test position or fixed exposure requirements, is adjusted by the ratio of the subsequent test configuration to the initial test configuration specified maximum output power and the adjusted SAR is ≤1.2 W/Kg, SAR is not required for that subsequent test configuration.
- SAR for subsequent highest measured maximum output power channels in the subsequent test configuration is required only when the reported SAR of the preceding higher maximum output power channel(s) in the subsequent test configuration is >1.2 W/Kg or until all required channels are tested.

B.2.3 Bluetooth

Radio	Band	Bluetooth	Bandwidth (MHz)	Rate (Mbps)	Channel	Frequency (MHz)	Aux (dBm)	Tune-up Power
2.4GHz	BT	Bluetooth v5.1	1	Basic rate GFSK	0	2402	6.92	8.00
					39	2441	7.47	8.00
					78	2480	7.65	8.00
				Basic rate p/4 DQPSK	0	2402	NR	7.00
					39	2441	NR	7.00
					78	2480	NR	7.00
				Basic rate 8-DPSK	0	2402	NR	7.00
					39	2441	NR	7.00
					78	2480	NR	7.00
		BLEv5.1	2	Low energy GFSK	0	2412	NR	7.00
					20	2442	NR	7.00
					39	2480	NR	7.00

Initial test configuration

1. NR: Not Required

B.3 Tissue Parameters Measurement

Body TSL

Freq. (MHz)	Target Parameters		Measured TSL Parameters		Deviation (%)		Date
	ϵ' (F/m)	σ (S/m)	ϵ' (F/m)	σ (S/m)	ϵ'	σ	
2450	52.7	1.95	51.18	2.04	-2.88	4.62	2020-04-03
5300	48.88	5.42	45.76	5.61	-6.38	3.51	2020-04-03
5500	48.61	5.65	45.41	5.91	-6.58	4.6	2020-04-03
5600	48.47	5.77	45.2	6.05	-6.75	4.85	2020-04-03
5800	48.2	6.0	44.67	6.33	-7.32	5.5	2020-04-03

See *Annex D* for more details.

B.4 System Check Measurements

Body Measurements

Frequency (MHz)	Average	Target SAR (W/Kg)	Measured SAR (W/Kg)	Deviation to target (%)	Limit (%)	Date
2450	1g	49.40	52.20	5.67	±10	2020-04-03
	10g	23.20	24.20	4.31		
5300	1g	71.20	71.20	0.00		2020-04-03
	10g	20.10	21.00	4.48		
5500	1g	76.40	76.00	-0.52		2020-04-03
	10g	21.40	22.20	3.74		
5600	1g	73.40	74.20	1.09		2020-04-03
	10g	20.40	21.80	6.86		
5800	1g	76.70	75.00	-2.22		2020-04-03
	10g	21.40	22.00	2.80		

See *Annex C* for more details.

B.5 SAR Test Results

B.5.1 802.11b/g/n/ax & 802.15 – 2.4GHz – DTS - Bluetooth

Ant.	Mode Data rate	BW (MHz)	Ch #	Freq (MHz)	Position	Correct. Factor (dB)	SAR 1g (W/kg)	Reported SAR 1g (W/kg)	Plot #
Main	802.11b 1Mbps	20	6	2437	Laptop	0.06	0.52	0.52	
Aux			11	2462	Laptop	0.05	0.74	0.75	1
Main	BT – DH5	1	78	2480	Laptop	0.35	0.07	0.08	

B.5.2 802.11a/n/ac/ax – 5.3 GHz – U-NII-2A

Ant.	Mode Data rate	BW (MHz)	Ch #	Freq (MHz)	Position	Correct. Factor (dB)	SAR 1g (W/kg)	Reported SAR 1g (W/kg)	Plot #
Main	802.11ac VHT0	160	50	5250	Laptop	0.03	0.51	0.51	
Aux	802.11ac VHT0	160	50	5250	Laptop	0.09	0.76	0.78	2

B.5.3 802.11a/n/ac/ax – 5.6 GHz – U-NII-2C

Ant.	Mode Data rate	BW (MHz)	Ch #	Freq (MHz)	Position	Correct. Factor (dB)	SAR 1g (W/kg)	Reported SAR 1g (W/kg)	Plot #
Main	802.11ac VHT0	160	114	5570	Laptop	0.07	0.52	0.53	
Aux	802.11ac VHT0	160	114	5570	Laptop	0.12	0.67	0.69	3

B.5.4 802.11a/n/ac/ax – 5.8 GHz – U-NII-3

Ant.	Mode Data rate	BW (MHz)	Ch #	Freq (MHz)	Position	Correct. Factor (dB)	SAR 1g (W/kg)	Reported SAR 1g (W/kg)	Plot #
Main	802.11ac VHT0	80	155	5775	Laptop	0.05	0.61	0.62	4
Aux	802.11ac VHT0	80	155	5775	Laptop	0.03	0.37	0.37	

B.5.5 SAR Measurement Variability

According to FCC OET KDB 865664, SAR Measurement variability is assessed when the maximum initial measured SAR is ≥ 0.8 W/kg for a certain band/mode.

As all the initial measured SAR values are < 0.8 W/Kg, no variability measurement is required

B.5.6 Simultaneous Transmission SAR Evaluation

According to FCC OET KDB 447498 D01, when the sum of 1g SAR for all simultaneously transmitting antennas in an operating mode and exposure condition combination is within the SAR limit, SAR test exclusion applies to that simultaneous transmission configuration.

All the values stated in the table below are the worst case found for standalone measurement with disregard of the transmission mode or channel where the worst case was found

Antenna	Position	Highest Reported SAR (1g) (W/Kg)		
		WLAN 2.4GHz	WLAN 5GHz	Bluetooth
Main	Laptop	0.52	0.62	0.08
Aux	Laptop	0.75	0.78	

Position	Simultaneous Tx Antenna Combination		Σ SAR 1g (W/Kg)	Limit (W/kg)
	Main Antenna	Aux Antenna		
Laptop	WLAN 5GHz	WLAN 5GHz	1.40	1.6
	WLAN 5GHz+BT	WLAN 5GHz	1.48	
	BT	WLAN 5GHz	0.70	
	WLAN 2.4GHz	WLAN 2.4GHz	1.27	
	BT	WLAN 2.4GHz	0.83	

Annex C. Test System Plots

1. DTS – 802.11b, CH11, Aux transmitter –Laptop	35
2. UNII-2A – 802.11ac, CH50, Aux transmitter –Laptop.....	36
3. UNII2C – 802.11ac, CH114, Aux transmitter –Laptop	37
4. UNII3 – 802.11ac, CH155, Main transmitter –Laptop	38
5. System Check Body Liquid 2450.0MHz	39
6. System Check Body Liquid 5300.0MHz	40
7. System Check Body Liquid 5500.0MHz	41
8. System Check Body Liquid 5600.0MHz	42
9. System Check Body Liquid 5800.0MHz	43

1. DTS – 802.11b, CH11, Aux transmitter –Laptop

Device under Test Properties

Name, Manufacturer	Dimensions [mm]	SN	DUT Type
P92F	375.0 x 245.0 x 15.0	2019101612270	Laptop

Exposure Conditions

Phantom Section, TSL	Position, Test Distance [mm]	Band	Group, UID	Frequency [MHz], Channel Number	Conversion Factor	TSL Conductivity [S/m]	TSL Permittivity
Flat MSL	LAPTOP 0.00	WLAN 2.4GHz	WCDMA10012CAB	2462.0 11	7.67	2.05	51.2

Hardware Setup

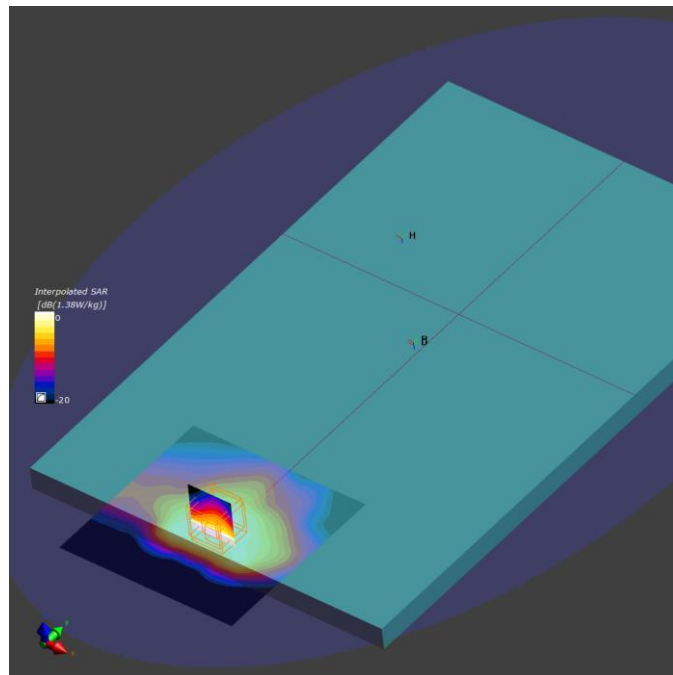
Phantom	TSL, Measured Date	Probe, Calibration Date	DAE, Calibration Date
ELI V8.0 (20deg probe tilt) - 1260	MBBL-600-6000 , 2020-Apr-03	EX3DV4 - SN7465, 2019-07-17	DAE4 Sn1519, 2019-07-11

Scan Setup

	Area Scan	Zoom Scan
Grid Extents [mm]	120.0 x 120.0	30.0 x 30.0 x 30.0
Grid Steps [mm]	15.0 x 15.0	6.0 x 6.0 x 5.0
Sensor Surface [mm]	3.0	1.4
Graded Grid	No	No
Grading Ratio	n/a	n/a
MAIA	Confirmed by MAIA	Confirmed by MAIA
Surface Detection	Yes	Yes
Scan Method	Measured	Measured

Measurement Results

	Area Scan	Zoom Scan
Date	2020-04-03, 13:48	2020-04-03, 13:55
SAR1g [W/Kg]	0.473	0.737
SAR10g [W/Kg]	0.252	0.391
Power Drift [dB]	0.07	0.02
Power Scaling	Disabled	Disabled
Scaling Factor [dB]		
TSL Correction	Positive Only	Positive Only



2. UNII-2A – 802.11ac, CH50, Aux transmitter –Laptop

Device under Test Properties

Name, Manufacturer	Dimensions [mm]	SN	DUT Type
P92F	375.0 x 245.0 x 15.0	2019101612270	Laptop

Exposure Conditions

Phantom Section, TSL	Position, Test Distance [mm]	Band	Group, UID	Frequency [MHz], Channel Number	Conversion Factor	TSL Conductivity [S/m]	TSL Permittivity
Flat MSL	LAPTOP 0.00	WLAN 5GHz	WCDMA10456AAB	5250.0 50	4.78	5.52	45.9

Hardware Setup

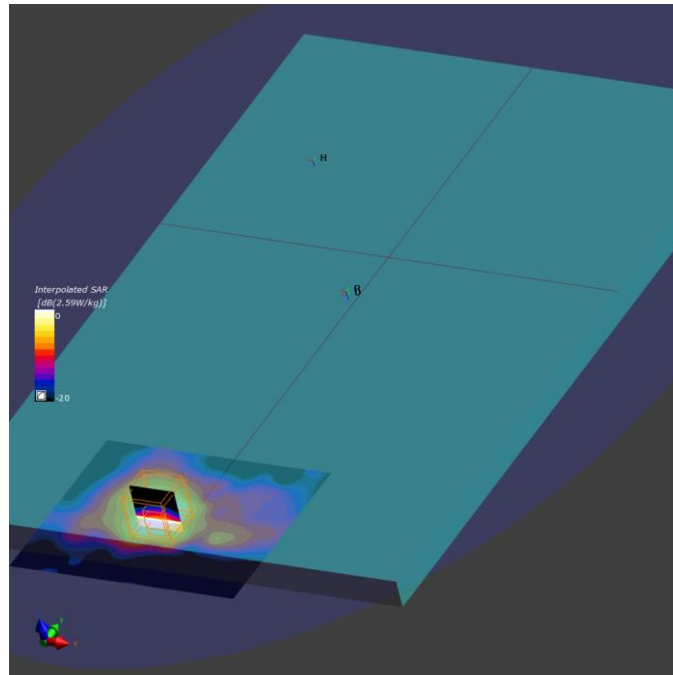
Phantom	TSL, Measured Date	Probe, Calibration Date	DAE, Calibration Date
ELI V8.0 (20deg probe tilt) - 1260	MBBL-600-6000 , 2020-Apr-03	EX3DV4 - SN7465, 2019-07-17	DAE4 Sn1519, 2019-07-11

Scan Setup

	Area Scan	Zoom Scan
Grid Extents [mm]	120.0 x 100.0	22.0 x 22.0 x 22.0
Grid Steps [mm]	10.0 x 10.0	4.0 x 4.0 x 1.4
Sensor Surface [mm]	3.0	1.4
Graded Grid	No	Yes
Grading Ratio	n/a	1.4
MAIA	Confirmed by MAIA	Confirmed by MAIA
Surface Detection	Yes	Yes
Scan Method	Measured	Measured

Measurement Results

	Area Scan	Zoom Scan
Date	2020-04-03, 14:01	2020-04-03, 14:11
SAR1g [W/Kg]	0.296	0.762
SAR10g [W/Kg]	0.113	0.279
Power Drift [dB]	0.04	0.01
Power Scaling	Disabled	Disabled
Scaling Factor [dB]		
TSL Correction	Positive Only	Positive Only



3. UNII2C – 802.11ac, CH114, Aux transmitter –Laptop

Device under Test Properties

Name, Manufacturer	Dimensions [mm]	SN	DUT Type
P92F	375.0 x 245.0 x 15.0	2019101612270	Laptop

Exposure Conditions

Phantom Section, TSL	Position, Test Distance [mm]	Band	Group, UID	Frequency [MHz], Channel Number	Conversion Factor	TSL Conductivity [S/m]	TSL Permittivity
Flat MSL	LAPTOP 0.00	WLAN 5GHz	WCDMA10456AAB	5570.0 114	4.23	6.01	45.3

Hardware Setup

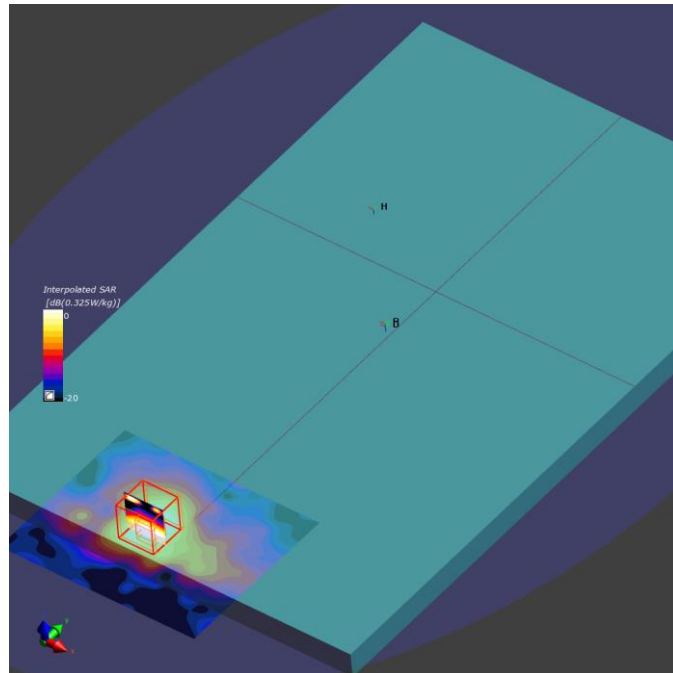
Phantom	TSL, Measured Date	Probe, Calibration Date	DAE, Calibration Date
ELI V8.0 (20deg probe tilt) - 1260	MBBL-600-6000 , 2020-Apr-03	EX3DV4 - SN7465, 2019-07-17	DAE4 Sn1519, 2019-07-11

Scan Setup

	Area Scan	Zoom Scan
Grid Extents [mm]	120.0 x 100.0	22.0 x 22.0 x 22.0
Grid Steps [mm]	10.0 x 10.0	4.0 x 4.0 x 1.4
Sensor Surface [mm]	3.0	1.4
Graded Grid	No	Yes
Grading Ratio	n/a	1.4
MAIA	Confirmed by MAIA	Confirmed by MAIA
Surface Detection	Yes	Yes
Scan Method	Measured	Measured

Measurement Results

	Area Scan	Zoom Scan
Date	2020-04-03, 14:17	2020-04-03, 14:27
SAR1g [W/Kg]	0.239	0.673
SAR10g [W/Kg]	0.090	0.239
Power Drift [dB]	-0.19	0.10
Power Scaling	Disabled	Disabled
Scaling Factor [dB]		
TSL Correction	Positive Only	Positive Only



4. UNII3 – 802.11ac, CH155, Main transmitter –Laptop

Device under Test Properties

Name, Manufacturer	Dimensions [mm]	SN	DUT Type
P92F	375.0 x 245.0 x 15.0	2019101612270	Laptop

Exposure Conditions

Phantom Section, TSL	Position, Test Distance [mm]	Band	Group, UID	Frequency [MHz], Channel Number	Conversion Factor	TSL Conductivity [S/m]	TSL Permittivity
Flat MSL	LAPTOP 0.00	WLAN 5GHz	WCDMA10402AAD	5775.0 155	4.26	6.30	44.7

Hardware Setup

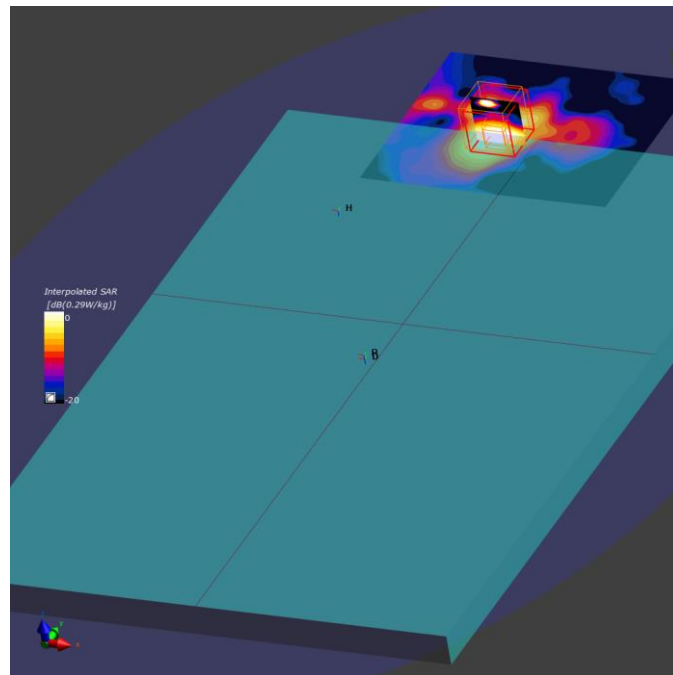
Phantom	TSL, Measured Date	Probe, Calibration Date	DAE, Calibration Date
ELI V8.0 (20deg probe tilt) - 1260	MBBL-600-6000 , 2020-Apr-03	EX3DV4 - SN7465, 2019-07-17	DAE4 Sn1519, 2019-07-11

Scan Setup

	Area Scan	Zoom Scan
Grid Extents [mm]	120.0 x 100.0	22.0 x 22.0 x 22.0
Grid Steps [mm]	10.0 x 10.0	4.0 x 4.0 x 1.4
Sensor Surface [mm]	3.0	1.4
Graded Grid	No	Yes
Grading Ratio	n/a	1.4
MAIA	Confirmed by MAIA	Confirmed by MAIA
Surface Detection	Yes	Yes
Scan Method	Measured	Measured

Measurement Results

	Area Scan	Zoom Scan
Date	2020-04-03, 14:37	2020-04-03, 14:47
SAR1g [W/Kg]	0.212	0.613
SAR10g [W/Kg]	0.077	0.209
Power Drift [dB]	0.01	0.04
Power Scaling	Disabled	Disabled
Scaling Factor [dB]		
TSL Correction	Positive Only	Positive Only



5. System Check Body Liquid 2450.0MHz

Device under Test Properties

Name, Manufacturer	Dimensions [mm]	Serial Number	DUT Type
D2450V2 , SPEAG	50.0 x 10.0 x 15.0	937	Validation Dipole

Exposure Conditions

Phantom Section, TSL	Position, Test Distance [mm]	Band	Group, UID	Frequency [MHz], Channel Number	Conversion Factor	TSL Conductivity [S/m]	TSL Permittivity
Flat MSL			,	2450.0	7.67	2.04	51.2

Hardware Setup

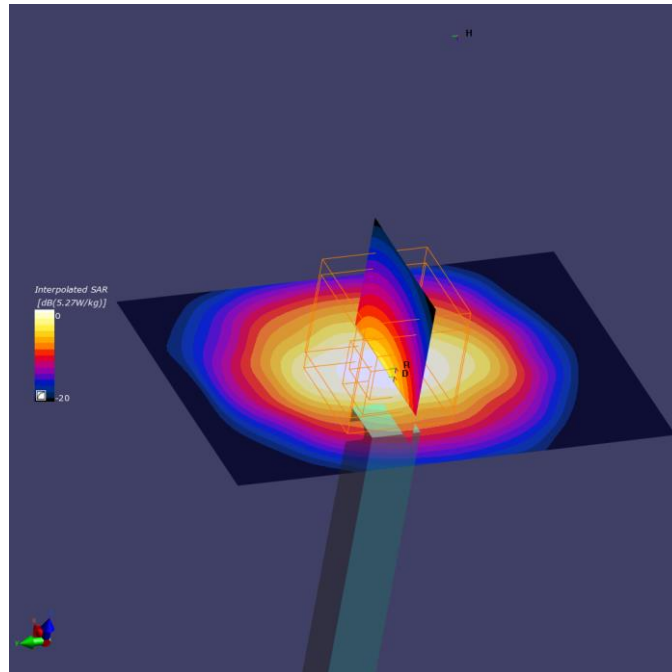
Phantom	TSL, Measured Date	Probe, Calibration Date	DAE, Calibration Date
ELI V8.0 (20deg probe tilt) - 1260	MBBL-600-6000 , 2020-Apr-03	EX3DV4 - SN7465, 2019-07-17	DAE4 Sn1519, 2019-07-11

Scan Setup

	Area Scan	Zoom Scan
Grid Extents [mm]	60.0 x 90.0	30.0 x 30.0 x 30.0
Grid Steps [mm]	15.0 x 15.0	6.0 x 6.0 x 5.0
Sensor Surface [mm]	3.0	1.4
Graded Grid	No	No
Grading Ratio	n/a	n/a
MAIA	Confirmed by MAIA	Confirmed by MAIA
Surface Detection	Yes	Yes
Scan Method	Measured	Measured

Measurement Results

	Area Scan	Zoom Scan
Date	2020-04-03, 11:50	2020-04-03, 11:57
psSAR1g [W/Kg]	1.52	2.61
psSAR10g [W/Kg]	0.714	1.21
Power Drift [dB]	-0.03	-0.02
Power Scaling	Disabled	Disabled
Scaling Factor		
TSL Correction	Positive Only	Positive Only



6. System Check Body Liquid 5300.0MHz

Device under Test Properties

Name, Manufacturer	Dimensions [mm]	Serial Number	DUT Type
D5GHzV2 , SPEAG	50.0 x 10.0 x 15.0	1164	Validation Dipole

Exposure Conditions

Phantom Section, TSL	Position, Test Distance [mm]	Band	Group, UID	Frequency [MHz], Channel Number	Conversion Factor	TSL Conductivity [S/m]	TSL Permittivity
Flat MSL			,	5300.0	4.78	5.61	45.8

Hardware Setup

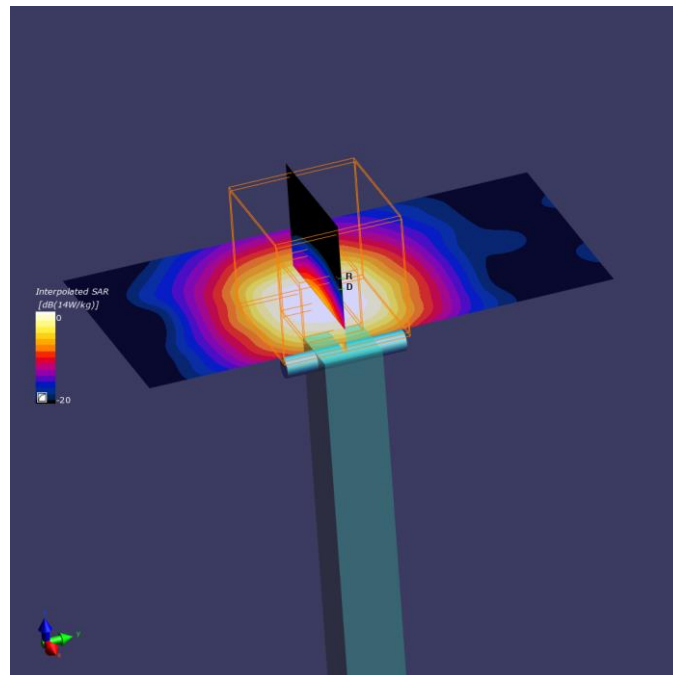
Phantom	TSL, Measured Date	Probe, Calibration Date	DAE, Calibration Date
ELI V8.0 (20deg probe tilt) - 1260	MBBL-600-6000 , 2020-Apr-03	EX3DV4 - SN7465, 2019-07-17	DAE4 Sn1519, 2019-07-11

Scan Setup

	Area Scan	Zoom Scan
Grid Extents [mm]	40.0 x 80.0	22.0 x 22.0 x 22.0
Grid Steps [mm]	10.0 x 10.0	4.0 x 4.0 x 1.4
Sensor Surface [mm]	3.0	1.4
Graded Grid	No	Yes
Grading Ratio	n/a	1.4
MAIA	Confirmed by MAIA	Confirmed by MAIA
Surface Detection	Yes	Yes
Scan Method	Measured	Measured

Measurement Results

	Area Scan	Zoom Scan
Date	2020-04-03, 10:44	2020-04-03, 10:54
psSAR1g [W/Kg]	1.82	3.57
psSAR10g [W/Kg]	0.620	1.05
Power Drift [dB]	-0.05	-0.06
Power Scaling	Disabled	Disabled
Scaling Factor [dB]		
TSL Correction	Positive Only	Positive Only



7. System Check Body Liquid 5500.0MHz

Device under Test Properties

Name, Manufacturer	Dimensions [mm]	Serial Number	DUT Type
D5GHzV2 , SPEAG	50.0 x 10.0 x 15.0	1164	Validation Dipole

Exposure Conditions

Phantom Section, TSL	Position, Test Distance [mm]	Band	Group, UID	Frequency [MHz], Channel Number	Conversion Factor	TSL Conductivity [S/m]	TSL Permittivity
Flat MSL			,	5500.0	4.39	5.91	45.4

Hardware Setup

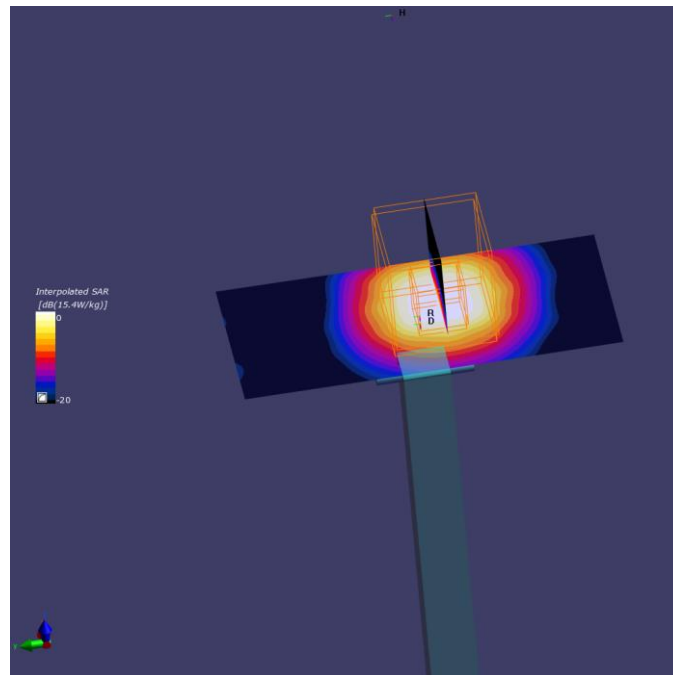
Phantom	TSL, Measured Date	Probe, Calibration Date	DAE, Calibration Date
ELI V8.0 (20deg probe tilt) - 1260	MBBL-600-6000 , 2020-Apr-03	EX3DV4 - SN7465, 2019-07-17	DAE4 Sn1519, 2019-07-11

Scan Setup

	Area Scan	Zoom Scan
Grid Extents [mm]	40.0 x 80.0	22.0 x 22.0 x 22.0
Grid Steps [mm]	10.0 x 10.0	4.0 x 4.0 x 1.4
Sensor [mm]	Surface 3.0	1.4
Graded Grid	No	Yes
Grading Ratio	n/a	1.4
MAIA	Confirmed by MAIA	Confirmed by MAIA
Surface Detection	Yes	Yes
Scan Method	Measured	Measured

Measurement Results

	Area Scan	Zoom Scan
Date	2020-04-03, 10:56	2020-04-03, 11:06
psSAR1g [W/Kg]	1.87	3.76
psSAR10g [W/Kg]	0.626	1.10
Power Drift [dB]	-0.04	0.02
Power Scaling	Disabled	Disabled
Scaling Factor [dB]		
TSL Correction	Positive Only	Positive Only



8. System Check Body Liquid 5600.0MHz

Device under Test Properties

Name, Manufacturer	Dimensions [mm]	Serial Number	DUT Type
D5GHzV2 , SPEAG	50.0 x 10.0 x 15.0	1164	Validation Dipole

Exposure Conditions

Phantom Section, TSL	Position, Test Distance [mm]	Band	Group, UID	Frequency [MHz], Channel Number	Conversion Factor	TSL Conductivity [S/m]	TSL Permittivity
Flat MSL			,	5600.0	4.23	6.05	45.2

Hardware Setup

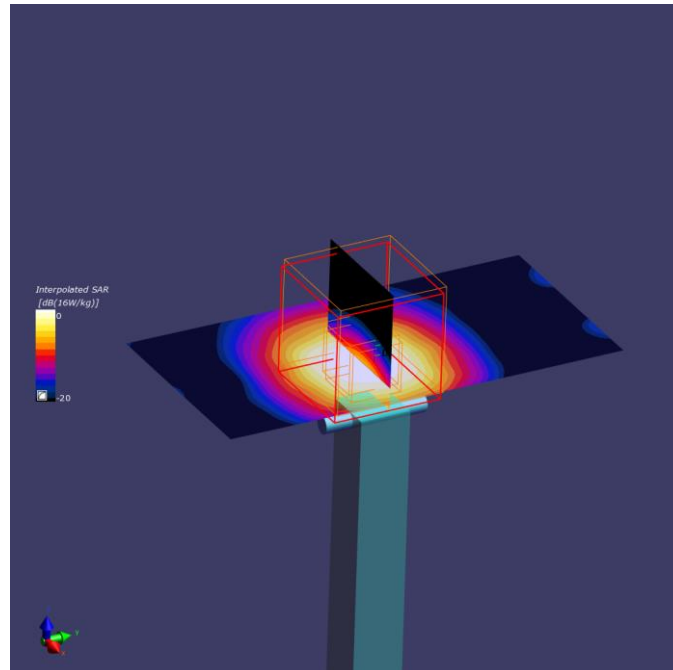
Phantom	TSL, Measured Date	Probe, Calibration Date	DAE, Calibration Date
ELI V8.0 (20deg probe tilt) - 1260	MBBL-600-6000 , 2020-Apr-03	EX3DV4 - SN7465, 2019-07-17	DAE4 Sn1519, 2019-07-11

Scan Setup

	Area Scan	Zoom Scan
Grid Extents [mm]	40.0 x 80.0	22.0 x 22.0 x 22.0
Grid Steps [mm]	10.0 x 10.0	4.0 x 4.0 x 1.4
Sensor Surface [mm]	3.0	1.4
Graded Grid	No	Yes
Grading Ratio	n/a	1.4
MAIA	Confirmed by MAIA	Confirmed by MAIA
Surface Detection	Yes	Yes
Scan Method	Measured	Measured

Measurement Results

	Area Scan	Zoom Scan
Date	2020-04-03, 11:08	2020-04-03, 11:18
psSAR1g [W/Kg]	1.88	3.81
psSAR10g [W/Kg]	0.629	1.12
Power Drift [dB]	-0.02	0.01
Power Scaling	Disabled	Disabled
Scaling Factor		
TSL Correction	Positive Only	Positive Only



9. System Check Body Liquid 5800.0MHz

Device under Test Properties

Name, Manufacturer	Dimensions [mm]	Serial Number	DUT Type
D5GHzV2 , SPEAG	50.0 x 10.0 x 15.0	1164	Validation Dipole

Exposure Conditions

Phantom Section, TSL	Position, Test Distance [mm]	Band	Group, UID	Frequency [MHz], Channel Number	Conversion Factor	TSL Conductivity [S/m]	TSL Permittivity
Flat MSL			,	5800.0	4.26	6.33	44.7

Hardware Setup

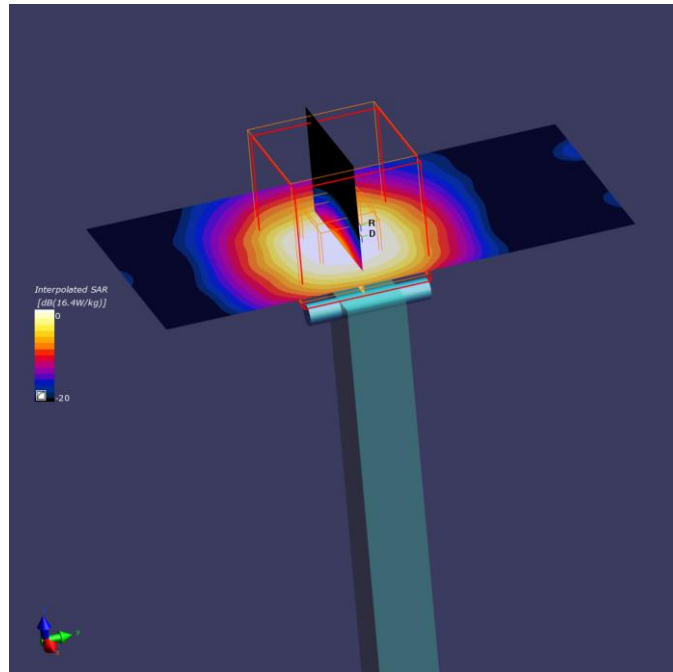
Phantom	TSL, Measured Date	Probe, Calibration Date	DAE, Calibration Date
ELI V8.0 (20deg probe tilt) - 1260	MBBL-600-6000 , 2020-Apr-03	EX3DV4 - SN7465, 2019-07-17	DAE4 Sn1519, 2019-07-11

Scan Setup

	Area Scan	Zoom Scan
Grid Extents [mm]	40.0 x 80.0	22.0 x 22.0 x 22.0
Grid Steps [mm]	10.0 x 10.0	4.0 x 4.0 x 1.4
Sensor Surface [mm]	3.0	1.4
Graded Grid	No	Yes
Grading Ratio	n/a	1.4
MAIA	Confirmed by MAIA	Confirmed by MAIA
Surface Detection	Yes	Yes
Scan Method	Measured	Measured

Measurement Results

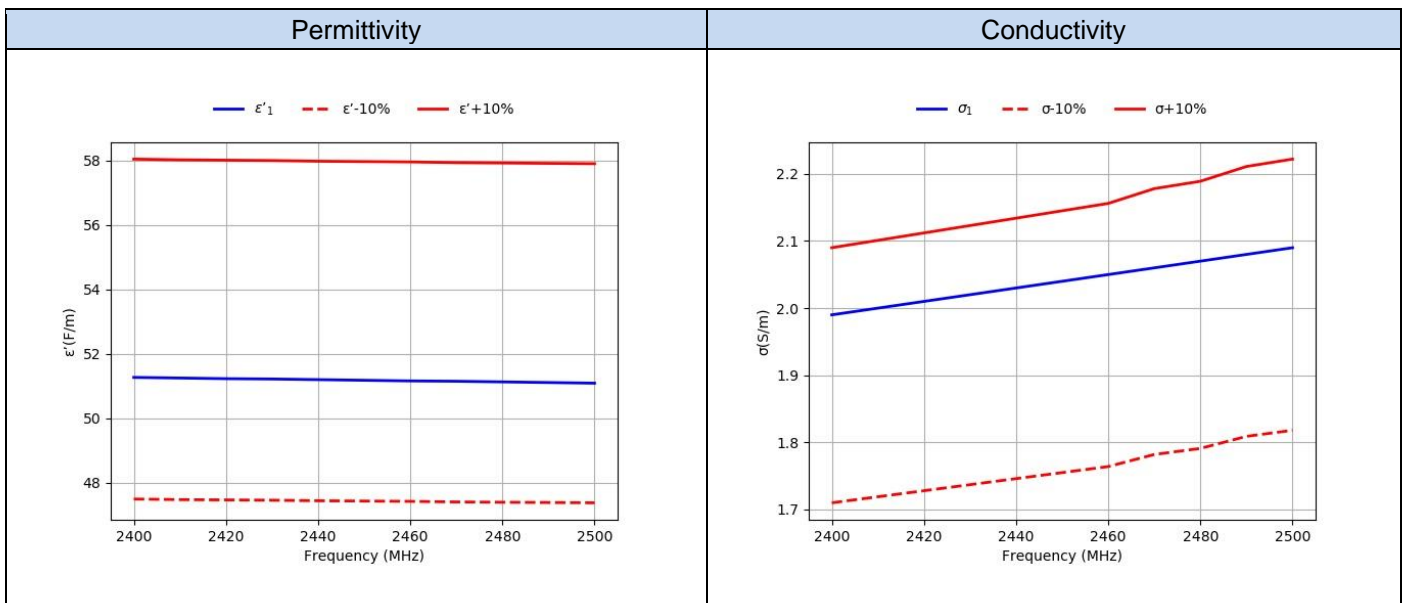
	Area Scan	Zoom Scan
Date	2020-04-03, 11:20	2020-04-03, 11:30
psSAR1g [W/Kg]	1.81	3.72
psSAR10g [W/Kg]	0.601	1.09
Power Drift [dB]	-0.02	-0.03
Power Scaling	Disabled	Disabled
Scaling Factor [dB]		
TSL Correction	Positive Only	Positive Only



Annex D. TSL Dielectric Parameters

D.1 Body DTS 2450MHz

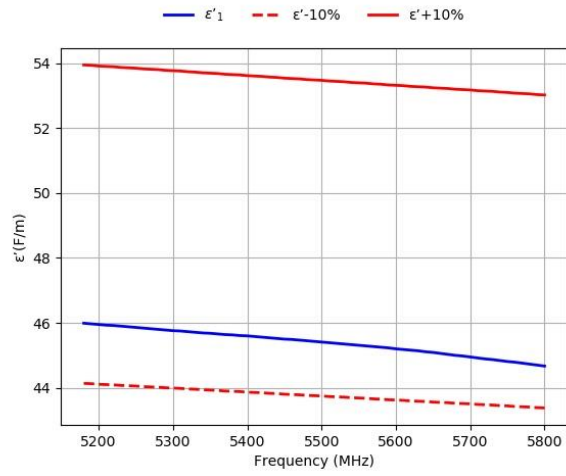
Freq. (MHz)	Target		2020-04-03 Measured	
	ϵ' (F/m)	σ (S/m)	$\epsilon'1$ (F/m)	$\sigma1$ (S/m)
	2400	52.77	1.90	51.27
2410	52.75	1.91	51.25	2.0
2420	52.74	1.92	51.23	2.01
2430	52.73	1.93	51.22	2.02
2440	52.71	1.94	51.2	2.03
2450	52.70	1.95	51.18	2.04
2460	52.69	1.96	51.16	2.05
2470	52.67	1.98	51.15	2.06
2480	52.66	1.99	51.13	2.07
2490	52.65	2.01	51.11	2.08
2500	52.64	2.02	51.09	2.09



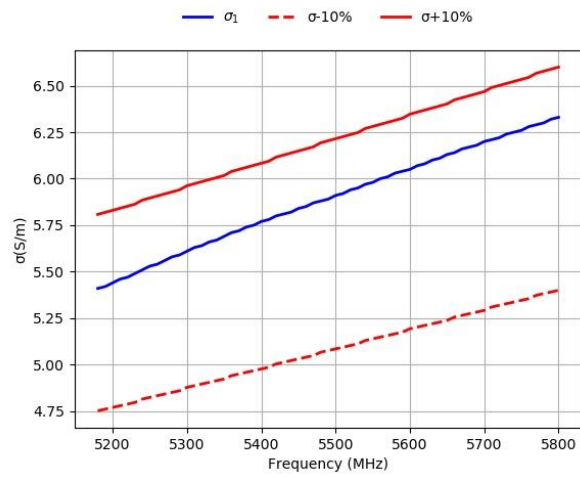
D.2 Body 5200MHz-5800MHz

Freq. (MHz)	Target		2020-04-03 Measured	
	ϵ' (F/m)	σ (S/m)	ϵ' (F/m)	σ (S/m)
	5180	49.04	5.27	45.99
5190	49.03	5.29	45.97	5.42
5200	49.01	5.30	45.95	5.44
5210	49.00	5.31	45.93	5.46
5220	48.99	5.32	45.92	5.47
5230	48.97	5.33	45.9	5.49
5240	48.96	5.34	45.88	5.51
5250	48.95	5.36	45.86	5.53
5260	48.93	5.37	45.84	5.54
5270	48.92	5.38	45.82	5.56
5280	48.91	5.39	45.8	5.58
5290	48.89	5.40	45.78	5.59
5300	48.88	5.41	45.76	5.61
5310	48.87	5.43	45.75	5.63
5320	48.85	5.44	45.73	5.64
5330	48.84	5.45	45.71	5.66
5340	48.82	5.46	45.69	5.67
5350	48.81	5.47	45.68	5.69
5360	48.80	5.48	45.66	5.71
5370	48.78	5.50	45.64	5.72
5380	48.77	5.51	45.63	5.74
5390	48.76	5.52	45.61	5.75
5400	48.74	5.53	45.6	5.77
5500	48.61	5.65	45.41	5.91
5510	48.59	5.66	45.39	5.92
5520	48.58	5.67	45.37	5.94
5530	48.57	5.68	45.35	5.95
5540	48.55	5.69	45.33	5.97
5550	48.54	5.71	45.31	5.98
5560	48.53	5.72	45.29	6.0
5570	48.51	5.73	45.27	6.01
5580	48.50	5.74	45.25	6.03
5590	48.49	5.75	45.23	6.04
5600	48.47	5.76	45.2	6.05
5610	48.46	5.78	45.18	6.07
5620	48.44	5.79	45.16	6.08
5630	48.43	5.80	45.14	6.1
5640	48.42	5.81	45.11	6.11
5650	48.40	5.82	45.09	6.13
5660	48.39	5.83	45.06	6.14
5670	48.38	5.85	45.03	6.16
5680	48.36	5.86	45.0	6.17
5690	48.35	5.87	44.98	6.18
5700	48.34	5.88	44.95	6.2
5710	48.32	5.88	44.92	6.21
5720	48.31	5.89	44.89	6.22
5730	48.30	5.91	44.87	6.24
5740	48.28	5.92	44.84	6.25
5750	48.27	5.93	44.81	6.26
5760	48.25	5.94	44.79	6.28
5770	48.24	5.95	44.76	6.29
5780	48.23	5.96	44.73	6.3
5790	48.21	5.98	44.7	6.32
5800	48.20	5.99	44.67	6.33

Permittivity



Conductivity



Annex E. Calibration Certificates

ID	Device	Type/Model	Serial Number	Manufacturer	Calibration Certificate
0648	Dosimetric E-field Probe	EX3DV4	7465	SPEAG	"See attachments"
0239	2450MHz System Validation Dipole	D2450V2	937	SPEAG	"See attachments"
0124	5GHz System Validation Dipole	D5GHzV2	1164	SPEAG	"See attachments"

Dipole calibration

According to the KDB 865664 D01, a dipole must be calibrated using a fully validated SAR system according to the tissue dielectric parameters and SAR probe calibration frequency required for device testing. However, instead of the typical annual calibration recommended by measurement standards, longer calibration intervals of up to three years may be considered when it is demonstrated that the SAR target, impedance and return loss of a dipole have remain stable according to the following requirements.

1. When the most recent return-loss result, measured at least annually, deviates by more than 20% from the previous measurement (i.e. value in dB \times 0.2) or not meeting the required 20 dB minimum return-loss requirement.
2. When the most recent measurement of the real or imaginary parts of the impedance, measured at least annually, deviates by more than 5 Ω from the previous measurement