

TEST REPORT

EUT Description	Wireless Module installed in Convertible PC
Brand Name	Intel® Wireless-AC 9560
Model Name	9560D2W
FCC/IC ID	FCC ID: PD99560D2; IC ID :1000M-9560D2
Date of Test Start/End	2020-07-06 / 2020-07-23
Features	802.11 a/b/g/n/ac Dual Band, 2x2 Wi-Fi + Bluetooth® 5.0 (see section 5)
Description	Platform: Ideapad Duet 3 10IGL5 Speed / SouthStar antennas

Applicant	Intel Mobile Communications
Address	100 Center Point Circle, Suite 200 / Columbia, SC 29210 / United States
Contact Person	Steven Hackett
Telephone/Fax/ Email	steven.c.hackett@intel.com

Reference Standards	FCC 47 CFR Part §2.1093 RSS-102, issue 5 (see section 1)	
RF Exposure Environment	Portable devices - General population/uncontrolled exposure	
	SAR Result	SAR Limit
Maximum SAR Result & Limit	1.50 W/kg (1g)	1.6 W/kg (1g)
Min. test separation distance	0mm to phantom, 3.2mm to antenna edge	

Test Report identification	200527-01.TR01
Revision Control	Rev. 00 This test report revision replaces any previous test report revision (see section 8)

The test results relate only to the samples tested.
 The test report shall not be reproduced in full, without written approval of the laboratory.
 Reference to accreditation shall be used only by full reproduction of test report.

Issued by

Reviewed by

Vaso KACULINI
(Test Lead Engineer)

Cheiel IN
(Technical Manager)

Intel Corporation S.A.S – WRF Lab
425 rue de Goa – Le Cargo B6 - 06600 Antibes, France
Tel. +33493001400 / Fax +33493001401

Table of Contents

1.	Standards, reference documents and applicable test methods.....	4
2.	General conditions, competences and guarantees.....	4
3.	Environmental Conditions.....	5
4.	Test samples.....	5
5.	EUT Features.....	6
6.	Remarks and comments.....	8
7.	Test Verdicts summary.....	8
8.	Document Revision History.....	8
Annex A.	Test & System Description.....	9
A.1	SAR DEFINITION.....	9
A.2	SPEAG SAR MEASUREMENT SYSTEM.....	10
A.2.1	SAR Measurement Setup.....	10
A.2.2	E-Field Measurement Probe.....	11
A.2.3	SAM Phantom.....	11
A.2.4	Flat Phantom.....	12
A.2.5	Device Positioner.....	12
A.3	DATA EVALUATION.....	13
A.4	SYSTEM AND LIQUID CHECK.....	15
A.4.1	System Check.....	15
A.4.2	Liquid Check.....	16
A.5	TEST EQUIPMENT LIST.....	17
A.5.1	SAR System #2.....	17
A.5.2	Shared Instrumentation.....	17
A.5.3	Tissue Simulant Liquid.....	17
A.6	MEASUREMENT UNCERTAINTY EVALUATION.....	18
A.7	RF EXPOSURE LIMITS.....	20
Annex B.	Test Results.....	21
B.1	TEST CONDITIONS.....	21
B.1.1	Test SAR Test positions relative to the phantom.....	21
B.1.2	Test signal, Output power and Test Frequencies.....	21
B.1.3	Evaluation Exclusion and Test Reductions.....	22
B.2	CONDUCTED POWER MEASUREMENTS.....	24
B.2.1	WLAN 2.4GHz.....	24
B.2.2	WLAN 5GHz (U-NII).....	25
B.2.3	Bluetooth.....	29
B.3	TISSUE PARAMETERS MEASUREMENT.....	30
B.4	SYSTEM CHECK MEASUREMENTS.....	30
B.5	SAR TEST RESULTS.....	31
B.5.1	Bluetooth & 802.11b/g/n – 2.4GHz – DTS – BT (DSS).....	31
B.5.2	802.11a/n/ac – 5.3 GHz – U-NII-1.....	32
B.5.3	802.11a/n/ac – 5.3 GHz – U-NII-2A.....	32
B.5.4	802.11a/n/ac – 5.6 GHz – U-NII-2C.....	33
B.5.4	802.11a/n/ac – 5.8 GHz – U-NII-3.....	34
B.5.5	SAR Measurement Variability.....	35
B.5.6	Simultaneous Transmission SAR Evaluation.....	36
Annex C.	Test System Plots.....	38

Annex D. TSL Dielectric Parameters..... 50

D.1 BODY DTS 2450MHZ 50

D.2 BODY 5180MHZ-5900MHZ 51

Annex E. Calibration Certificates 53

Annex F. Photographs 55

F.1 TEST SAMPLE 55

F.2 TEST POSITIONS..... 56

F.3 ANTENNA HOST PLATFORM LOCATION AND ADJACENT EDGE POSITIONS RELATIVE TO THE BODY..... 57

F.4 PHANTOM LIQUID LEVEL DURING MEASUREMENTS 58

1. Standards, reference documents and applicable test methods

1. FCC 47 CFR Part §2.1093 – Radiofrequency radiation exposure evaluation: portable devices.
2. FCC OET KDB 248227 D01 – SAR guidance for IEEE 802.11 (Wi-Fi) transmitters.
3. FCC OET KDB 447498 D01 –RF Exposure Procedures and Equipment Authorization Policies for Mobile and Portable Devices.
4. FCC OET KDB 616217 D04 – SAR Evaluation Considerations for Laptop, Notebook, Netbook and Tablet Computers.
5. FCC OET KDB 865664 D01 – SAR Measurement Requirements for 100 MHz to 6 GHz.
6. FCC OET KDB 865664 D02 – RF Exposure Compliance Reporting and Documentation Considerations.
7. IEEE Std 1528-2013 – IEEE Recommended Practice Determining the Peak Spatial-Average Specific Absorption Rate (SAR) in the Human Head from Wireless Communication Devices: Measurement Techniques...
8. ISED RSS 102, Issue 5 – Radio Frequency (RF) Exposure Compliance of Radio communication Apparatus (All Frequency Bands).
9. ISED RSS-102 Supplementary Procedures SPR-001 SAR testing requirements with regard to bystanders for laptop type computers with antennas built-in on display screen (Laptop Mode / Tablet Mode)
10. ISED Notice 2016-DRS001 – Applicability of latest FCC RF Exposure KDB Procedures and Other Procedures.
11. ISED Notice 2012-DRS0529 – SAR correction for measured conductivity and relative permittivity based on IEC 62209-2 standard.

2. General conditions, competences and guarantees

- ✓ Tests performed under FCC standards identified in section 1 are covered by A2LA accreditation.
- ✓ Tests performed under ISED standards identified in section 1 are covered by Cofrac accreditation.
- ✓ Intel Corporation SAS Wireless RF Lab (Intel WRF Lab) is an ISO/IEC 17025:2017 laboratory accredited by the American Association for Laboratory Accreditation (A2LA) with the certificate number 3478.01.
- ✓ Intel Corporation SAS Wireless RF Lab (Intel WRF Lab) is an Accredited Test Firm recognized by the FCC, with Designation Number FR0011.
- ✓ Intel Corporation SAS Wireless RF Lab (Intel WRF Lab) is an ISO/IEC 17025:2017 testing laboratory accredited by the French Committee for Accreditation (Cofrac) with the certificate number 1-6736.
- ✓ Intel Corporation SAS Wireless RF Lab (Intel WRF Lab) is a Registered Test Site listed by ISED, with ISED #1000Y.
- ✓ Intel WRF Lab declines any responsibility with respect to the identified information provided by the customer and that may affect the validity of results.
- ✓ Intel WRF Lab only provides testing services and is committed to providing reliable, unbiased test results and interpretations.
- ✓ Intel WRF Lab is liable to the client for the maintenance of the confidentiality of all information related to the item under test and the results of the test.
- ✓ Intel WRF Lab has developed calibration and proficiency programs for its measurement equipment to ensure correlated and reliable results to its customers.
- ✓ This report is only referred to the item that has undergone the test.
- ✓ This report does not imply an approval of the product by the Certification Bodies or competent Authorities.
- ✓ Complete or partial reproduction of the report cannot be made without written permission of Intel WRF Lab.

3. Environmental Conditions

✓ At the site where the measurements were performed the following limits were not exceeded during the tests:

Temperature	21.8°C ± 2°C
Humidity	50.0% ± 10%
Liquid Temperature	20.7°C ± 2°C

4. Test samples

Sample	Control #	Description	Model	Serial #	Date of receipt	Note
#01	200527-01. S03	Wireless Module installed in Convertible PC	9560D2W+Ideapad Duet 3 10IGL5	YX006VYD	2020-06-29	Speed Antenna
#03	200527-01. S04	Wireless Module installed in Convertible PC	9560D2W+Ideapad Duet 3 10IGL5	YX006VTY	2020-06-29	South Star Antenna

5. EUT Features

Brand Name	Intel® Wireless-AC 9560																			
Model Name	9560D2W																			
Software Version	11.1941.0-10270																			
Driver Version	21.50.0.3																			
Prototype / Production	Production																			
Host Identification	Ideapad Duet 3 10IGL5																			
Exposure Conditions	Body worn																			
Supported Radios	802.11b/g/n	2.4GHz (2400.0 – 2483.5 MHz)																		
	802.11a/n/ac	5.2GHz (5150.0 – 5250.0 MHz) 5.3GHz (5250.0 – 5350.0 MHz) 5.6GHz (5470.0 – 5725.0 MHz) 5.8GHz (5725.0 – 5825.0 MHz)																		
Antenna Information "information provided by the customer"	Bluetooth	2.4GHz (2400.0 – 2483.5 MHz)																		
	SPEED <table border="1"> <thead> <tr> <th>Antenna Port</th> <th>Type</th> <th>Part Number</th> </tr> </thead> <tbody> <tr> <td>Main (DRTU Chain B)</td> <td>PIFA</td> <td>D350-WIFI-MAIN-T14-SPD</td> </tr> <tr> <td>Aux (DTRU Chain A)</td> <td>PIFA</td> <td>D350-WIFI-AUX-T13-SPD</td> </tr> </tbody> </table> SOUTH STAR <table border="1"> <thead> <tr> <th>Antenna Port</th> <th>Type</th> <th>Part Number</th> </tr> </thead> <tbody> <tr> <td>Main (DRTU Chain B)</td> <td>PIFA</td> <td>N12-6436-R0A</td> </tr> <tr> <td>Aux (DTRU Chain A)</td> <td>PIFA</td> <td>N12-6437-R0A</td> </tr> </tbody> </table> <p>See Annex F for more details on antennas location.</p>			Antenna Port	Type	Part Number	Main (DRTU Chain B)	PIFA	D350-WIFI-MAIN-T14-SPD	Aux (DTRU Chain A)	PIFA	D350-WIFI-AUX-T13-SPD	Antenna Port	Type	Part Number	Main (DRTU Chain B)	PIFA	N12-6436-R0A	Aux (DTRU Chain A)	PIFA
Antenna Port	Type	Part Number																		
Main (DRTU Chain B)	PIFA	D350-WIFI-MAIN-T14-SPD																		
Aux (DTRU Chain A)	PIFA	D350-WIFI-AUX-T13-SPD																		
Antenna Port	Type	Part Number																		
Main (DRTU Chain B)	PIFA	N12-6436-R0A																		
Aux (DTRU Chain A)	PIFA	N12-6437-R0A																		
Simultaneous Transmission Configurations	WLAN 2.4GHz Main + BT Aux WLAN 2.4GHz Main + WLAN 2.4GHz Aux WLAN 5GHz Main + BT Aux WLAN 5GHz Main + WLAN 5GHz Aux WLAN 5GHz Main + WLAN 5GHz Aux + BT Aux																			
Additional Information	No WWAN transmitter is considered in this report																			
	5.60-5.65 GHz band (TDWR) is supported by the device																			
	Band gap is supported by the device																			

Supported Radios

Mode	Duty Cycle	Modulation	Band	UL Freq Range (MHz)	Max. Measured Conducted Power (dBm)
802.11b/g/n	100%	BPSK QPSK 16QAM 64QAM	2.4GHz	2400-2483.5	14.98
802.11a/n/ac	100%	BPSK QPSK 16QAM 64QAM 256QAM	5.2GHz	5150-5250	13.50
			5.3GHz	5250-5350	13.00
			5.6GHz	5475-5725	13.37
			5.8GHz	5725-5850	13.35
BDR/EDR v5.0	78%	GFSK $\pi/4$ DQPSK 8DPSK	2.4GHz	2400-2483.5	10.43
Bluetooth LE v5.0	64%	GFSK	2.4GHz	2400-2483.5	NM

NM: Not Measured

Maximum Output power specification + Tune up tolerance limit

Radio band Name	802.11	Bandwidth (MHz)	Transmitter Chain (dBm)	
			Main	Aux
2.4GHz	BLE v5.0	2		8.50
	Bluetooth v5.0	1		10.50
DTS	802.11b	20	15.00	15.00
	802.11g	20	15.00	15.00
	802.11n20	20	15.00	15.00
	802.11n40	40	15.00	15.00
UNII-1	802.11a	20	12.00	13.50
	802.11n20	20	12.00	13.50
	802.11n40	40	12.00	13.50
	802.11ac80	80	12.00	13.50
UNII-2A	802.11a	20	12.50	13.00
	802.11n20	20	12.50	13.00
	802.11n40	40	12.50	13.00
	802.11ac80	80	12.50	13.00
UNII-2C	802.11a	20	13.50	12.00
	802.11n20	20	13.50	12.00
	802.11n40	40	13.50	12.00
	802.11ac80	80	13.50	12.00
UNII-3	802.11a	20	13.50	12.00
	802.11n20	20	13.50	12.00
	802.11n40	40	13.50	12.00
	802.11ac80	80	13.50	12.00

6. Remarks and comments

1. The conducted values are obtained by applying the BIOS SAR power values to the 9560D2W Intel module installed in the Ideapad Duet 3 10IGL5 identified in this report, as requested by the customer
2. Variability and simultaneous transmission results shown in this report are based on the highest SAR value obtained among all antenna manufacturers.
3. Only the plots for the test positions with the highest measured SAR per band/mode are included in Annex C as required per FCC OET KDB 865664 D02, paragraph 2.3.8.

7. Test Verdicts summary

The statement of conformity to applicable standards in the table below are based on the measured values, without taking into account the measurement uncertainties.

Standard	Band	Highest Reported SAR (1g) (W/kg)	Verdict
802.11b/g/n	2.4GHz	1.45	P
802.11a/n/ac	5.2GHz	1.45	P
	5.3GHz	1.46	P
	5.6GHz	1.50	P
	5.8GHz	1.38	P
Bluetooth	2.4GHz	0.43	P

P: Pass
 F: Fail
 NM: Not Measured
 NA: Not Applicable

According to the FCC OET KDB 690783 D01, this is the summary of the values for the Grant Listing:

Exposure Condition	Highest Reported SAR (1g) (W/kg)		
	Equipment Class		
	DTS	DSS	U-NII
Body Worn	1.45	0.43	1.50
Simultaneous Tx	Sum-SAR:2.25 SPLSR: 0.02	Sum-SAR: 2.98 SPLSR: 0.03	Sum-SAR: 2.98 SPLSR: 0.03

Considering the results of the performed test according to FCC 47CFR Part 2.1093 and ISED RSS 102, Issue 5 the item under test is IN COMPLIANCE with the requested specifications specified in Section1. Standards, reference documents and applicable test methods

8. Document Revision History

Revision #	Date	Modified by	Revision Details
Rev. 00	2020-07-30	V. Kaculini	First Issue

Annex A. Test & System Description

A.1 SAR Definition

Specific Absorption rate is defined as the time derivative of the incremental energy (dW) absorbed by (dissipated in) and incremental mass (dm) contained in a volume element (dV) of a given density (ρ).

$$SAR = \frac{d}{dt} \cdot \left(\frac{dW}{dm} \right) = \frac{d}{dt} \cdot \left(\frac{dW}{\rho \cdot dV} \right)$$

SAR is expressed in units of watts per kilogram (W/kg). SAR can be related to the electric field at a point by

$$SAR = \frac{\sigma |E|^2}{\rho}$$

Where:

σ = Conductivity of the tissue (S/m)

ρ = Mass density of the tissue (kg/m³)

E = RMS electric field strength (V/m)

A.2 SPEAG SAR Measurement System

A.2.1 SAR Measurement Setup

The DASY6 system for performing compliance tests consists of the following items:



- ✓ A standard high precision 6-axis robot (Stäubli TX/RX family) with controller, teach pendant and software. It includes an arm extension for accommodating the data acquisition electronics (DAE)
- ✓ An isotropic field probe optimized and calibrated for the targeted measurements.
- ✓ A data acquisition electronics (DAE) which performs the signal amplification, signal multiplexing, AD-conversion, offset measurements, mechanical surface detection, collision detection, etc. The unit is battery powered with standard or rechargeable batteries. The signal is optically transmitted to the EOC.
- ✓ The Electro-optical Converter (EOC) performs the conversion from optical to electrical signals for the digital communication to the DAE. The EOC signal is transmitted to the measurement server.
- ✓ The function of the measurement server is to perform the time critical tasks such as signal filtering, control of the robot operation and fast movements interrupts.
- ✓ The Light Beam used is for probe alignment. This improves the (absolute) accuracy of the probe positioning.
- ✓ A computer running Win7 professional operating system and the DASY6 software.
- ✓ Remote control and teach pendant as well as additional circuitry for robot safety such as warning lamps, etc.
- ✓ The phantom, the device holder and other accessories according to the targeted measurement.
- ✓ MAIA is a hardware interface (Antenna) used to evaluate the modulation and audio interference characteristics of RF signals.
- ✓ ANT is an ultra-wideband antenna for use with the base station simulators over 698 MHz to 6GHz.
- ✓ The base station simulator is an equipment used for SAR cellular tests in order to emulate the cellular signals characteristics and behavior between a regular base station and the equipment under test.
- ✓ Tissue simulating liquid.
- ✓ System Validation dipoles.
- ✓ Network emulator or RF test tool.

A.2.2 E-Field Measurement Probe

The probe is constructed using three orthogonal dipole sensors arranged on an interlocking, triangular prism core. The probe has built-in shielding against static charges and is contained within a PEEK cylindrical enclosure material at the tip.



The probe's characteristics are:

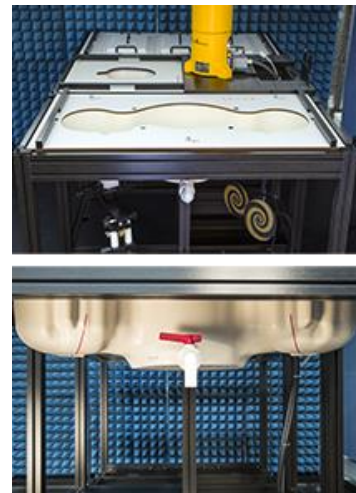
Frequency Range	30MHz – 6GHz
Length	337 mm
Probe tip external diameter	2.5 mm
Typical distance between dipoles and the probe tip	1 mm
Axial Isotropy (in human-equivalent liquids)	±0.3 dB
Hemispherical Isotropy (in human-equivalent liquids)	±0.5 dB
Linearity	±0.2 dB
Maximum operating SAR	100 W/kg
Lower SAR detection threshold	0.001 W/kg

A.2.3 SAM Phantom

The shell corresponds to the specifications of the Specific Anthropomorphic Mannequin (SAM) phantom defined in IEEE 1528 and IEC 62209-1. It enables the dosimetric evaluation of left and right hand phone usage as well as body mounted usage at the flat phantom region. A cover prevents evaporation of the liquid. Reference markings on the phantom allow the complete setup of all predefined phantom positions and measurement grids by teaching three points with the robot.

The phantom's characteristics are:

Material	Vinylester, glass fiber reinforced (VE-GF)
Shell thickness	2 mm ± 0.2 mm
Shell thickness at ERP	6 ± 0.2 mm
Filling volume	25 Liters
Dimensions	Length: 1000mm / Width: 500mm

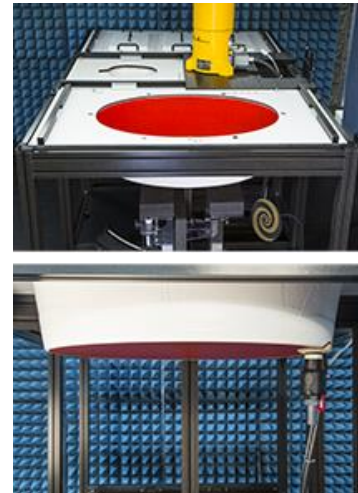


A.2.4 Flat Phantom

Phantom for compliance testing of handheld and body-mounted wireless devices in the frequency range of 30 MHz to 6 GHz. ELI is fully compatible with the IEC 62209-2 standard and all known tissue simulating liquids. ELI has been optimized regarding its performance and can be integrated into our standard phantom tables. A cover prevents evaporation of the liquid. Reference markings on the phantom allow installation of the complete setup, including all predefined phantom positions and measurement grids, by teaching three points. The phantom is compatible with all SPEAG dosimetric probes and dipoles.

The phantom's characteristics are:

Material	Vinylester, glass fiber reinforced (VE-GF)
Shell thickness	2 mm \pm 0.2 mm
Filling volume	30 Liters approx.
Dimensions	Major axis: 600mm / Minor axis: 400mm



A.2.5 Device Positioner

The SAR in the phantom is approximately inversely proportional to the square of the distance between the source and the liquid surface. For a source at 5 mm distance, a positioning uncertainty of 0.5 mm would produce a SAR uncertainty of 20%. Accurate device positioning is therefore crucial for accurate and repeatable measurements. The positions in which the devices must be measured are defined by the standards.



The DASy device holder is designed to cope with the different positions given in the standard. It has two scales for device rotation (with respect to the body axis) and device inclination (with respect to the line between the ear reference points). The rotation center for both scales is the ear reference point (ERP). Thus the device needs no repositioning when changing the angles.

The DASy device holder is constructed of low-loss POM material having the following dielectric parameters: relative permittivity $\epsilon=3$ and loss tangent $\delta=0.02$. The amount of dielectric material has been reduced in the closest vicinity of the device, since measurements have suggested that the influence of the clamp on the test results could thus be lowered.

A simple but effective and easy-to-use extension for the Mounting Device; facilitates testing of larger devices according to IEC 62209-2 (e.g., laptops, cameras, etc.); lightweight and fits easily on the upper part of the Mounting Device in place of the phone positioner. The extension is fully compatible with the Twin SAM, ELI and other Flat Phantoms.



A.3 Data Evaluation

- **Power Reference measurement**

The robot measures the E field in a specified reference position that can be either the selected section's grid reference point or a user point in this section at 4mm of the inner surface of the phantom, 2mm for frequencies above 3GHz.

- **Area Scan**

Measurement procedures for evaluating SAR from wireless handsets typically start with a coarse measurement grid to determine the approximate location of the local peak SAR values. This is known as the area-scan procedure. The SAR distribution is scanned along the inside surface of one side of the phantom head, at least for an area larger than the projection of the handset and antenna. The distance between the measured points and phantom surface should be less than 8 mm, and should remain constant (with variation less than ± 1 mm) during the entire scan in order to determine the locations of the local peak SAR with sufficient accuracy. The angle between the probe axis and the surface normal line is recommended but not required to be less than 30° . If this angle is larger than 30° and the closest point on the probe-tip housing to the phantom surface is closer than a probe diameter, the boundary effect may become larger and polarization dependent. This additional uncertainty needs to be analyzed and accounted for. To achieve this, modified test procedures and additional uncertainty analyses not described in this recommended practice may be required. The measurement and interpolation point spacing should be chosen such as to allow identification of the local peak locations to within one-half of the linear dimension of a side of the zoom-scan volume. Because a local peak having specific amplitude and steep gradients may produce a lower peak spatial-average SAR compared to peaks with slightly lower amplitude and less steep gradients, it is necessary to evaluate these other peaks as well. However, since the spatial gradients of local SAR peaks are a function of the wavelength inside the tissue-equivalent liquid and the incident magnetic field strength, it is not necessary to evaluate local peaks that are less than 2 dB or more below the global maximum peak. Two-dimensional spline algorithms (Brishoual et al. 2001; Press et al., 1996) are typically used to determine the peaks and gradients within the scanned area. If a peak is found at a distance from the scan border of less than one-half the edge dimension of the desired 1 g or 10 g cube, the measurement area should be enlarged if possible.

- **Zoom Scan**

To evaluate the peak spatial-average SAR values for 1 g or 10 g cubes, fine resolution volume scans, called zoom scans, are performed at the peak SAR locations identified during the area scan. The minimum zoom scan volume size should extend at least 1.5 times the edge dimension of a 1 g cube in all directions from the center of the scan volume, for both 1 g and 10 g peak spatial-average SAR evaluations. Along the phantom curved surfaces, the front face of the volume facing the tissue/liquid interface conforms to the curved boundary, to ensure that all SAR peaks are captured. The back face should be equally distorted to maintain the correct averaging mass. The flatness and orientation of the four side faces are unchanged from that of a cube whose orientation is within $\pm 30^\circ$ of the line normal to the phantom at the center of the cube face next to the phantom surface. The peak local SAR locations that were determined in the area scan (interpolated values) should be used for the centers of the zoom scans. If a scan volume cannot be centered due to proximity of a phantom shape feature, the probe should be tilted to allow scan volume enlargement. If probe tilt is not feasible, the zoom-scan origin may be shifted, but not by more than half of the 1 g or 10 g cube edge dimension.

After the zoom-scan measurement, extrapolations from the closest measured points to the surface, for example along lines parallel to the zoom-scan centerline, and interpolations to a finer resolution between all measured and extrapolated points are performed. Extrapolation algorithm considerations are described in 6.5.3, and 3-D spline methods (Brishoual et al., 2001; Kreyszig, 1983; Press et al., 1996) can be used for interpolation. The peak spatial-average SAR is finally determined by a numerical averaging of the local SAR values in the interpolation grid, using for example a trapezoidal algorithm for the integration (averaging).

In some areas of the phantom, such as the jaw and upper head regions, the angle of the probe with respect to the line normal to the surface may be relatively large, e.g., greater than $\pm 30^\circ$, which could increase the boundary effect error to a larger level. In these cases, during the zoom scan a change in the orientation of the probe, the phantom, or both is recommended but not required for the duration of the zoom scan, so that the angle between the probe axis and the line normal to the surface is within 30° for all measurement points.

- **Power Drift measurement**

The robot re-measures the E-Field in the same reference location measured at the Power Reference. The drift measurement gives the field difference in dB from the first to the last reference reading. This allows a user to monitor the power drift of the device under test that must remain within a maximum variation of $\pm 5\%$.

- **Post-processing**

The procedure for spatial peak SAR evaluation has been implemented according to the IEEE1528 and IEC 62209-1/2 standards. It can be conducted for 1g and 10g.

The software allows evaluations that combine measured data and robot positions, such as:

- ✓ Maximum search
- ✓ Extrapolation
- ✓ Boundary correction
- ✓ Peak search for averaged SAR

Interpolation between the measured points is performed when the resolution of the grid is not fine enough to compute the average SAR over a given mass.

Extrapolation routines are used to obtain SAR values between the lowest measurement points and the inner phantom surface. The extrapolation is determined by the surface detection distance and the probe sensor offset. Several measurements at different distances are necessary for the extrapolation.

A.4 System and Liquid Check

A.4.1 System Check

The system performance check verifies that the system operates within its specifications. System and operator errors can be detected and corrected. It is recommended that the system performance check be performed prior to any usage of the system in order to guarantee reproducible results.

The system performance check uses normal SAR measurements in a simplified setup with a well characterized source. This setup was selected to give a high sensitivity to all parameters that might fail or vary over time. The system check does not intend to replace the calibration of the components, but indicates situations where the system uncertainty is exceeded due to drift or failure.

In the simplified setup for system check, the EUT is replaced by a calibrated dipole and the power source is replaced by a controlled continuous wave generated by a signal generator. The calibrated dipole must be placed beneath the flat phantom section of the phantom at the correct distance.



The equipment setup is shown below:

- ✓ Signal Generator
- ✓ Amplifier
- ✓ Directional coupler
- ✓ Power meter
- ✓ Calibrated dipole

First, the power meter PM1 (including attenuator Att1) is connected to the cable to measure the forward power at the location of the connector (x) to the system check source. The signal generator is adjusted for the desired forward power at the connector as read by power meter PM1 after attenuation Att1 and also as coupled through Att2 to PM2. After connecting the cable to the source, the signal generator is readjusted for the same reading at power meter PM2.

SAR results are normalized to a forward power of 1W to compare the values with the calibration reports results as described at IEEE 1528 and IEC 62209 standards.

A.4.2 Liquid Check

The dielectric parameters check is done prior to the use of the tissue simulating liquid. The verification is made by comparing the relative permittivity and conductivity to the values recommended by the applicable standards.

The liquid verification was performed using the following test setup:

- ✓ VNA (Vector Network Analyzer)
- ✓ Open-Short-Load calibration kit
- ✓ RF Cable
- ✓ Open-Ended Coaxial probe
- ✓ DAK software tool
- ✓ SAR Liquid
- ✓ De-ionized water
- ✓ Thermometer

These are the target dielectric properties of the tissue-equivalent liquid material as defined in FCC OET KDB 865664 D01.

Frequency (MHz)	Body SAR	
	ϵ_r (F/m)	σ (S/m)
150	61.9	0.80
300	58.2	0.92
450	56.7	0.94
835	55.2	0.97
900	55.0	1.05
1450	54.0	1.30
1800-2000	53.3	1.52
2450	52.7	1.95
3000	52.0	2.73
5800	48.2	6.00

(ϵ_r = relative permittivity, σ = conductivity and ρ = 1000 kg/m³)

The measurement system implement a SAR error compensation algorithm as documented in IEEE Std 1528-2013 (equivalent to draft standard IEEE P1528-2011) to automatically compensate the measured SAR results for deviations between the measured and required tissue dielectric parameters (applied to only scale up the measured SAR, and not downward) so, according to FCC OET KDB 865664 D01, the tolerance for ϵ_r and σ may be relaxed to $\pm 10\%$.

A.5 Test Equipment List

A.5.1 SAR System #2

ID #	Device	Type/Model	Serial Number	Manufacturer	Cal. Date	Cal. Due Date
0236	Dosimetric E-field Probe	EX3DV4	3978	SPEAG	2020-05-22	2021-05-22
0242	Data Acquisition Electronics	DAE4	1429	SPEAG	2020-05-14	2021-05-14
0451	6-axis Robot	TX60 L	F16/55FXA1/A/01	STAÜBLI	NA	NA
0453	Robot Controller	CS8C	F16/55FXA1/C/01	STAÜBLI	NA	NA
0455	Measurement Server	DASY6 P/N: SE UMS 028 BB	1489	SPEAG	NA	NA
0456	Electro-Optical Converter	EOC60	1098	SPEAG	NA	NA
0459	Light Beam Unit	SE UKS 030 AA	-	Di-soric	NA	NA
0460	Oval Flat Phantom	ELI v8.0	2048	SPEAG	NA	NA
0461	Measurement SW	DASY6 6.8.0.14623	9-5DEE27C2	SPEAG	NA	NA
0466	Laptop Holder	P/N SM LH1 001 CD	-	SPEAG	NA	NA

A.5.2 Shared Instrumentation

ID #	Device	Type/Model	Serial Number	Manufacturer	Cal. Date	Cal. Due Date
0098	USB Power Sensor	NRP-Z81	102278	R&S	2019-04-02	2021-04-02
0099	USB Power Sensor	NRP-Z81	102279	R&S	2019-04-02	2021-04-02
0114	Vector Signal Generator	ESG E4438C	MY45092885	Agilent	NA	NA
0170	Power Amplifier	SAM-01	151922	ETS-Lindgren	NA	NA
0224	Liquid measurement SW	DAK-3.5 V2.6.0.5	9-2687B491	SPEAG	NA	NA
0237	Dielectric Probe Kit	DAK-3.5	1037	SPEAG	2019-07-16	2021-07-16
0239	2450MHz System Validation Dipole	D2450V2	937	SPEAG	2020-05-12	2022-05-12
0412	Coupler	CD0.5-8-20-30	1251-002	Amd-group	NA	NA
0124	5GHz System Validation Dipole	D5GHZv2	1164	SPEAG	2019-05-20	2021-05-20
0615	USB Power Sensor	NRP-Z81	104384	R&S	2019-04-29	2021-04-29
0655	Vector Reflectometer	PLANAR R140	0190616	Copper Mountain Technologies	2019-08-07	2021-08-07
0799	Temp & Humidity Logger	RA32E-TH1-RAS	RA32-FBFD5A	AVTECH	2019-06-27	2021-06-27
0880	Thermometer	925	34822881	Testo	2019-11-19	2021-11-19

A.5.3 Tissue Simulant Liquid

TSL	Manufacturer / Model	Freq Range (MHz)	Main Ingredients
Body WideBand	SPEAG MBBL600-6000V6 Batch 160603-01	600-6000	Ethanediol, Sodium petroleum sulfonate, Hexylene Glycol / 2-Methyl-pentane-2.4-diol, Alkoxylated alcohol

A.6 Measurement Uncertainty Evaluation

The system uncertainty evaluation is shown in the below table:

SAR System #2

SPEAG DASY6 Uncertainty Budget According to IEEE 1528-2013 and IEC 62209-1/2016 (0.3 - 6 GHz range)								
Error Description	Uncert. value	Prob. Dist.	Div.	(ci) 1g	(ci) 10g	Std. Unc. (1g)	Std. Unc. (10g)	(vi) v _{eff}
Measurement System								
Probe Calibration	±7.00	N	1	1	1	±7.00	±7.00	∞
Axial Isotropy	±4.7 %	R	√3	0.7	0.7	±1.9 %	±1.9 %	∞
Hemispherical Isotropy	±9.6 %	R	√3	0.7	0.7	±3.9 %	±3.9 %	∞
Boundary Effects	±2.0 %	R	√3	1	1	±1.2 %	±1.2 %	∞
Linearity	±4.7 %	R	√3	1	1	±2.7 %	±2.7 %	∞
System Detection Limits	±1.0 %	R	√3	1	1	±0.6 %	±0.6 %	∞
Modulation Response	±2.4 %	R	√3	1	1	±1.4 %	±1.4 %	∞
Readout Electronics	±0.3 %	N	1	1	1	±0.3 %	±0.3 %	∞
Response Time	±0.8 %	R	√3	1	1	±0.5 %	±0.5 %	∞
Integration Time	±2.6 %	R	√3	1	1	±1.5 %	±1.5 %	∞
RF Ambient Noise	±3.0 %	R	√3	1	1	±1.7 %	±1.7 %	∞
RF Ambient Reflections	±3.0 %	R	√3	1	1	±1.7 %	±1.7 %	∞
Probe Positioner	±0.04 %	R	√3	1	1	±0.0 %	±0.0 %	∞
Probe Positioning	±0.8 %	R	√3	1	1	±0.5 %	±0.5 %	∞
Max. SAR Eval.	±4.0 %	R	√3	1	1	±2.3 %	±2.3 %	∞
Test Sample Related								
Device Positioning	±2.9 %	N	1	1	1	±2.9 %	±2.9 %	145
Device Holder	±3.6 %	N	1	1	1	±3.6 %	±3.6 %	5
Power Drift	±5.0 %	R	√3	1	1	±2.9 %	±2.9 %	∞
Power Scaling	±0.0 %	R	√3	1	1	±0.0 %	±0.0 %	∞
Phantom and Setup								
Phantom Uncertainty	±6.6 %	R	√3	1	1	±3.8 %	±3.8 %	∞
SAR correction	±1.9 %	N	√3	1	0.84	±1.9 %	±1.6 %	∞
Liquid Conductivity (mea.) DAK	±2.5 %	N	√3	0.78	0.71	±2.0 %	±1.8 %	∞
Liquid Permittivity (mea.) DAK	±2.5 %	N	√3	0.23	0.26	±0.6 %	±0.7 %	∞
Temp. unc. - Conductivity BB	±3.4 %	R	√3	0.78	0.71	±1.5 %	±1.4 %	∞
Temp. unc. - Permittivity BB	±0.4 %	R	√3	0.23	0.26	±0.1 %	±0.1 %	∞
Combined Std. Uncertainty		Combine				±11.6 %	±11.5 %	
Expanded STD Uncertainty		Expanded				±23.2%	±23.00 %	

SPEAG DASY6 Uncertainty Budget According to IEC 62209-2/2010 (30 MHz - 6 GHz range)								
Error Description	Uncert. value	Prob. Dist.	Div.	(ci) 1g	(ci) 10g	Std. Unc. (1g)	Std. Unc. (10g)	(vi) v _{eff}
Measurement System								
Probe Calibration	±7.00 %	N	1	1	1	±7.00 %	±7.00 %	∞
Axial Isotropy	±4.7 %	R	√3	0.7	0.7	±1.9 %	±1.9 %	∞
Hemispherical Isotropy	±9.6 %	R	√3	0.7	0.7	±3.9 %	±3.9 %	∞
Linearity	±4.7 %	R	√3	1	1	±2.7 %	±2.7 %	∞
Modulation Response	±2.4 %	R	√3	1	1	±1.4 %	±1.4 %	∞
System Detection Limits	±1.0 %	R	√3	1	1	±0.6 %	±0.6 %	∞
Boundary Effects	±2.0 %	R	√3	1	1	±1.2 %	±1.2 %	∞
Readout Electronics	±0.3 %	N	1	1	1	±0.3 %	±0.3 %	∞
Response Time	±0.8 %	R	√3	1	1	±0.5 %	±0.5 %	∞
Integration Time	±2.6 %	R	√3	1	1	±1.5 %	±1.5 %	∞
RF Ambient Noise	±3.0 %	R	√3	1	1	±1.7 %	±1.7 %	∞
RF Ambient Reflections	±3.0 %	R	√3	1	1	±1.7 %	±1.7 %	∞
Probe Positioner	±0.04 %	R	√3	1	1	±0.0 %	±0.0 %	∞
Probe Positioning	±0.8 %	R	√3	1	1	±0.5 %	±0.5 %	∞
Post-processing	±4.0 %	R	√3	1	1	±2.3 %	±2.3 %	∞
Test Sample Related								
Device Holder	±3.6 %	N	1	1	1	±3.6 %	±3.6 %	5
Test sample Positioning	±2.9 %	N	1	1	1	±2.9 %	±2.9 %	145
Power Scaling	±0.0 %	R	√3	1	1	±0.0 %	±0.0 %	∞
Power Drift	±5.0 %	R	√3	1	1	±2.9 %	±2.9 %	∞
Phantom and Setup								
Phantom Uncertainty	±7.6 %	R	√3	1	1	±4.4 %	±4.4 %	∞
SAR correction	±1.9 %	N	√3	1	0.84	±1.9 %	±1.6 %	∞
Liquid Conductivity (mea.) DAK	±2.5 %	N	√3	0.78	0.71	±2.0 %	±1.8 %	∞
Liquid Permittivity (mea.) DAK	±2.5 %	N	√3	0.23	0.26	±0.6 %	±0.7 %	∞
Temp. unc. - Conductivity BB	±3.4 %	R	√3	0.78	0.71	±1.5 %	±1.4 %	∞
Temp. unc. - Permittivity BB	±0.4 %	R	√3	0.23	0.26	±0.1 %	±0.1 %	∞
Combined Std. Uncertainty						±11.6 %	±11.6 %	605
Expanded STD Uncertainty						±23.3 %	±23.2 %	

A.7 RF Exposure Limits

SAR assessments have been made in line with the requirements of FCC 47CFR Part 2.1093 and ISED RSS 102 issue 5 on the limitation of exposure of the general population / uncontrolled exposure for portable devices.

Exposure Type	General Population / Uncontrolled Environment
Peak spatial-average SAR (averaged over any 1 gram of tissue)	1.6 W/kg
Whole body average SAR	0.08 W/kg
Peak spatial-average SAR (extremities) (averaged over any 10 grams of tissue)	4.0 W/kg

Annex B. Test Results

B.1 Test Conditions

B.1.1 Test SAR Test positions relative to the phantom

The device under test was an Intel® Wireless-AC 9560 (R version) card inside a Detachable PC host platform (Ideapad Duet 3 10IGL5) using a set of PIFA antennas. The card was operated utilizing proprietary software (DRTU version 11.1941.0-10270) and each channel was measured using a broadband power meter to determine the maximum average power.

According to FCC OET KDB 616217 D04, the back surface and edges of the tablet should be tested for SAR compliance with the tablet touching the phantom. The SAR Test Exclusion Threshold in FCC OET KDB 447498 D01 can be applied to determine SAR test exclusion for adjacent edge configurations.

The closest distance from the antenna to an adjacent tablet edge is used to determine if SAR testing is required for the adjacent edges, with the adjacent edge positioned against the phantom and the edge containing the antenna positioned perpendicular to the phantom.

Antenna	Main	Aux
Position	<ul style="list-style-type: none">• Top Edge• Left Edge• Back Face	<ul style="list-style-type: none">• Top Edge• Right Edge• Back Face

See B.1.3.1 for a more detailed list of the applied reductions.

See F.2 *Test positions* section for more information on the tested positions.

B.1.2 Test signal, Output power and Test Frequencies

For 802.11 transmission modes the device was put into operation by using an own control software to program the test mode required to select the continuous transmission with 100% duty cycle.

The output power of the device was set to transmit at maximum power for all tests.

B.1.3 Evaluation Exclusion and Test Reductions

B.1.3.1 SAR evaluation exclusion

The SAR Test Exclusion Threshold in FCC OET KDB 447498 D01 v06 can be applied to determine SAR test exclusion for adjacent edge configurations. For 100MHz to 6GHz and test separation distances ≤50mm, the 1-g and 10-g SAR test exclusion thresholds are determined by the following formula:

$$[(\text{max. power of channel, including tune – up tolerance, mW}) / (\text{min. test separation distance, mm})] \cdot \sqrt{f_{\text{(GHz)}}} \leq 3.0 \text{ for } 1g \text{ SAR, and } \leq 7.5 \text{ for } 10g \text{ extremity SAR} \quad (1)$$

Where:

- f(GHz) is the RF channel transmit frequency in GHz
- Power and distance are rounded to the nearest mW and mm before calculation
- The result is rounded to one decimal place for comparison
- The values 3.0 and 7.5 are referred to as numeric thresholds

The test exclusions are applicable only when the minimum test separation distance is ≤ 50 mm, and for transmission frequencies between 100 MHz and 6 GHz. When the minimum test separation distance is < 5 mm, a distance of 5 mm is applied to determine SAR test exclusion.

For test separation distances > 50 mm, the 1-g and 10-g SAR test exclusion thresholds are determined using the following formulas:

$$((\text{Power allowed at numeric threshold for } 50 \text{ mm in (1)}) + (\text{test separation distance} - 50 \text{ mm}) \cdot (f_{\text{MHz}}/150))\text{mW}, \quad (2)$$

for 100MHz to 1500MHz

$$((\text{Power allowed at numeric threshold for } 50 \text{ mm in (1)}) + (\text{test separation distance} - 50 \text{ mm}) \cdot 10)\text{mW}, \quad (3)$$

for 1500MHz and ≤ 6GHz

LAN Antenna	Band Name	Output power		Back Face	Top Edge	Laptop	Right Edge	Left Edge	Back Face	Top Edge	Laptop	Right Edge	Left Edge
		dBm	mW										
WLAN Aux	DTS	15.0	31.6	<50	<50	>50	<50	>50	T	T	R	T	R
	U-NII-1	13.5	22.4	<50	<50	>50	<50	>50	T	R	R	R	R
	U-NII-2A	13.0	20.0	<50	<50	>50	<50	>50	T	T	R	T	R
	U-NII-2C	12.0	15.8	<50	<50	>50	<50	>50	T	T	R	T	R
	U-NII-3	12.0	15.8	<50	<50	>50	<50	>50	T	T	R	T	R
	BT	10.5	11.2	<50	<50	>50	<50	>50	T	T	R	T	R
WLAN Main	DTS	15.0	31.6	<50	<50	>50	>50	<50	T	T	R	R	T
	U-NII-1	12.0	15.8	<50	<50	>50	>50	<50	R	R	R	R	R
	U-NII-2A	12.5	17.8	<50	<50	>50	>50	<50	T	T	R	R	T
	U-NII-2C	13.5	22.4	<50	<50	>50	>50	<50	T	T	R	R	T
	U-NII-3	13.5	22.4	<50	<50	>50	>50	<50	T	T	R	R	T

T: Tested position
R: Reduced

See Annex F for a more detailed explanation of the separation distance related to the platform.

B.1.3.2 General SAR test reduction

According to FCC OET KDB 447498 D01, testing of other required channels within the operating mode of a frequency band is not required when the reported 1-g or 10-g SAR for the mid-band or highest output power channel is:

- ≤ 0.8 W/kg or 2.0 W/kg, for 1-g or 10-g respectively, when the transmission band is ≤ 100 MHz
- ≤ 0.6 W/kg or 1.5 W/kg, for 1-g or 10-g respectively, when the transmission band is between 100 MHz and 200 MHz
- ≤ 0.4 W/kg or 1.0 W/kg, for 1-g or 10-g respectively, when the transmission band is ≥ 200 MHz

WLAN SAR Test reduction

Transmission Mode	SAR test exclusion/reduction
DSSS	<p>According to FCC OET KDB 248227 D01, SAR is measured for 2.4 GHz 802.11b, SAR test reduction is determined according to the following:</p> <ul style="list-style-type: none"> ▪ When the reported SAR of the highest measured maximum output power channel for the exposure configuration is ≤ 0.8 W/kg, no further SAR testing is required for 802.11b DSSS in that exposure configuration. ▪ When the reported SAR is > 0.8 W/kg, SAR is required for that exposure configuration using the next highest measured output power channel. When any reported SAR is > 1.2 W/kg, SAR is required for the third channel. <p>According to FCC OET KDB 248227 D01, SAR is not required for 2.4 GHz OFDM conditions when the highest reported SAR for DSSS is adjusted by the ratio of OFDM to DSSS specified maximum output power and the adjusted SAR is ≤ 1.2 W/kg.</p>
OFDM	<p>According to FCC OET KDB 248227 D01, 802.11a/g/n/ac modes have the same specified maximum output power, largest channel bandwidth, lowest order modulation and lowest data rate, the lowest order 802.11 mode is selected; i.e., 802.11a is chosen over 802.11n then 802.11ac or 802.11g is chosen over 802.11n.</p> <p>According to FCC OET KDB 248227 D01, an <i>initial test configuration</i> is determined for OFDM and DSSS transmission modes according to the channel bandwidth, modulation and data rate combination(s) with the highest maximum output power specified for production units in each standalone and aggregated frequency band. SAR is measured using the highest measured maximum output power channel. SAR test reduction for subsequent highest output test channels is determined according to reported SAR of the initial test configuration.</p> <p>The <i>initial test configuration</i> for 5 GHz OFDM transmission modes is determined by the 802.11 configuration with the highest maximum output power specified for production units, including tune-up tolerance, in each standalone and aggregated frequency band. SAR for the initial test configuration is measured using the highest maximum output power channel determined by the default power measurement procedures.</p> <p>According to FCC OET KDB 248227 D01, when the reported SAR of the initial test configuration is > 0.8 W/kg, SAR measurement is required for subsequent next highest measured output power channel(s) in the initial test configuration until reported SAR is ≤ 1.2 W/kg or all required channels are tested.</p>

B.2 Conducted Power Measurements

B.2.1 WLAN 2.4GHz

						Average power (dBm)					
Band	Radio Name	802.11	Rate (Mbps)	Ch#	Freq (MHz)	Main			Aux		
						Speed Antenna	South Star Antenna	Tune Up Power	Speed Antenna	South Star Antenna	Tune Up Power
2.4GHz	DTS	802.11b	1	1	2412	14.89	14.79	15.00	14.77	14.79	15.00
2.4GHz	DTS	802.11b	1	6	2437	14.98	14.93	15.00	14.93	14.86	15.00
2.4GHz	DTS	802.11b	1	11	2462	14.77	14.90	15.00	14.93	14.77	15.00
2.4GHz	DTS	802.11g	6	1	2412	NR	NR	15.00	NR	14.83	15.00
2.4GHz	DTS	802.11g	6	6	2437	NR	NR	15.00	NR	14.88	15.00
2.4GHz	DTS	802.11g	6	11	2462	NR	NR	15.00	NR	14.96	15.00
2.4GHz	DTS	802.11n20	HT0	1	2412	NR	NR	15.00	NR	14.86	15.00
2.4GHz	DTS	802.11n20	HT0	6	2437	NR	NR	15.00	NR	14.86	15.00
2.4GHz	DTS	802.11n20	HT0	11	2462	NR	NR	15.00	NR	14.86	15.00
2.4GHz	DTS	802.11n40	HT0	3	2422	NR	NR	15.00	NR	14.90	15.00
2.4GHz	DTS	802.11n40	HT0	6	2437	NR	NR	15.00	NR	14.90	15.00
2.4GHz	DTS	802.11n40	HT0	9	2452	NR	NR	15.00	NR	14.90	15.00

Initial test configuration

1. NR: Not Required:

- As per FCC OET KDB 248227 D01, conducted output power and SAR testing are not required for 802.11g/n/ax channels when the highest reported SAR for DSSS is adjusted by the ratio of OFDM to DSSS specified maximum output power and the adjusted SAR is $\leq 1.2\text{W/kg}$.
- When the reported SAR of the initial test configuration is $> 0.8\text{ W/kg}$, SAR measurement is required for subsequent next highest measured output power channel(s) in the initial test configuration until reported SAR is $\leq 1.2\text{ W/kg}$ or all required channels are tested.

B.2.2 WLAN 5GHz (U-NII)

B.2.2.1 WLAN 5.2GHz and 5.3GHz (U-NII-1 and U-NII-2A)

						Average power (dBm)					
						Main			Aux		
Band	Radio Name	802.11	Rate (Mbps)	Ch#	Freq (MHz)	Speed Antenna	South Star Antenna	Tune Up Power	Speed Antenna	South Star Antenna	Tune Up Power
5.2GHz	UNII-1	802.11a	6	36	5180	NR	NR	12.00	13.30	NR	13.50
5.2GHz	UNII-1	802.11a	6	40	5200	NR	NR	12.00	13.30	NR	13.50
5.2GHz	UNII-1	802.11a	6	44	5220	NR	NR	12.00	13.35	NR	13.50
5.2GHz	UNII-1	802.11a	6	48	5240	NR	NR	12.00	13.42	NR	13.50
5.2GHz	UNII-1	802.11n20	HT0	36	5180	NR	NR	12.00	13.30	NR	13.50
5.2GHz	UNII-1	802.11n20	HT0	40	5200	NR	NR	12.00	13.30	NR	13.50
5.2GHz	UNII-1	802.11n20	HT0	44	5220	NR	NR	12.00	13.50	NR	13.50
5.2GHz	UNII-1	802.11n20	HT0	48	5240	NR	NR	12.00	13.50	NR	13.50
5.2GHz	UNII-1	802.11n40	HT0	38	5190	NR	NR	12.00	13.26	NR	13.50
5.2GHz	UNII-1	802.11n40	HT0	46	5230	NR	NR	12.00	13.27	NR	13.50
5.2GHz	UNII-1	802.11ac80	VHT0	42	5210	NR	NR	12.00	13.26	13.27	13.50

Initial test configuration

1. NR: Not Required:

- When the same maximum output power is specified for both bands, begin SAR measurement in U-NII-2A band by applying the OFDM SAR requirements. If the highest reported SAR for a test configuration is ≤ 1.2 W/kg, SAR is not required for U-NII-1 band (see §0 in this document).
- Additional conducted power measurement is required when reported SAR is > 1.2 W/kg. In case the subsequent test configuration and the channel bandwidth is smaller than the initial test configuration, all channels that overlap with the larger channel bandwidth in the initial configuration should be tested.
- The initial test configuration for 2.4 GHz and 5 GHz OFDM transmission modes is determined by the 802.11 configuration with the highest maximum output power specified for production units, including tune-up tolerance, in each standalone and aggregated frequency band. SAR for the initial test configuration is measured using the highest maximum output power channel determined by the default power measurement procedures. When multiple transmission modes (802.11a/g/n/ac) have the same specified maximum output power, largest channel bandwidth, lowest order modulation and lowest data rate, lowest order 802.11 mode is selected (i.e. a, g, n, ac then ax)
- When the reported SAR of the initial test configuration is > 0.8 W/kg, SAR measurement is required for the subsequent next highest measured output power channel(s) in the initial test configuration until reported SAR is $=1.2$ W/kg or all required channels are tested.
- When the highest reported SAR for the initial test configuration (when applicable, include subsequent highest output channels), according to the initial test position or fixed exposure requirements, is adjusted by the ratio of the subsequent test configuration to the initial test configuration specified maximum output power and the adjusted SAR is ≤ 1.2 W/Kg, SAR is not required for that subsequent test configuration
- SAR for subsequent highest measured maximum output power channels in the subsequent test configuration is required only when the reported SAR of the preceding higher maximum output power channel(s) in the subsequent test configuration is > 1.2 W/Kg or until all required channels are tested.

						Average power (dBm)					
						Main			Aux		
						Speed Antenna	South Star Antenna	Tune Up Power	Speed Antenna	South Star Antenna	Tune Up Power
Band	Radio Name	802.11	Rate (Mbps)	Ch#	Freq (MHz)						
5.3GHz	UNII-2A	802.11a	6	52	5260	NR	NR	12.50	13.00	NR	13.00
5.3GHz	UNII-2A	802.11a	6	56	5280	NR	NR	12.50	13.00	NR	13.00
5.3GHz	UNII-2A	802.11a	6	60	5300	NR	NR	12.50	13.00	NR	13.00
5.3GHz	UNII-2A	802.11a	6	64	5320	NR	NR	12.50	13.00	NR	13.00
5.3GHz	UNII-2A	802.11n20	HT0	52	5260	NR	NR	12.50	13.00	NR	13.00
5.3GHz	UNII-2A	802.11n20	HT0	56	5280	NR	NR	12.50	13.00	NR	13.00
5.3GHz	UNII-2A	802.11n20	HT0	60	5300	NR	NR	12.50	13.00	NR	13.00
5.3GHz	UNII-2A	802.11n20	HT0	64	5320	NR	NR	12.50	13.00	NR	13.00
5.3GHz	UNII-2A	802.11n40	HT0	54	5270	NR	NR	12.50	12.85	NR	13.00
5.3GHz	UNII-2A	802.11n40	HT0	62	5310	NR	NR	12.50	12.92	NR	13.00
5.3GHz	UNII-2A	802.11ac80	VHT0	58	5290	12.35	12.46	12.50	12.76	NR	13.00

Initial test configuration

1. NR: Not Required:

- The initial test configuration for 2.4 GHz and 5 GHz OFDM transmission modes is determined by the 802.11 configuration with the highest maximum output power specified for production units, including tune-up tolerance, in each standalone and aggregated frequency band. SAR for the initial test configuration is measured using the highest maximum output power channel determined by the default power measurement procedures. When multiple transmission modes (802.11a/g/n/ac) have the same specified maximum output power, largest channel bandwidth, lowest order modulation and lowest data rate, lowest order 802.11 mode is selected (i.e. a, g, n, ac then ax)
- Additional conducted power measurement is required when reported SAR is > 1.2W/kg. In case the subsequent test configuration and the channel bandwidth is smaller than the initial test configuration, all channels that overlap with the larger channel bandwidth in the initial configuration should be tested.
- When the reported SAR of the initial test configuration is > 0.8W/kg, SAR measurement is required for the subsequent next highest measured output power channel(s) in the initial test configuration until reported SAR is ≤1.2W/kg or all required channels are tested.
- When the highest reported SAR for the initial test configuration (when applicable, include subsequent highest output channels), according to the initial test position or fixed exposure requirements, is adjusted by the ratio of the subsequent test configuration to the initial test configuration specified maximum output power and the adjusted SAR is ≤1.2 W/Kg, SAR is not required for that subsequent test configuration.
- SAR for subsequent highest measured maximum output power channels in the subsequent test configuration is required only when the reported SAR of the preceding higher maximum output power channel(s) in the subsequent test configuration is >1.2 W/Kg or until all required channels are tested.

B.2.2.2 WLAN 5.6GHz (UNII-2C)

Band	Radio Name	802.11	Rate (Mbps)	Ch#	Freq (MHz)	Average power (dBm)					
						Main			Aux		
						Speed Antenna	South Star Antenna	Tune Up Power	Speed Antenna	South Star Antenna	Tune Up Power
5.6GHz	UNII-2C	802.11a	6	100	5500	NR	NR	13.50	12.00	NR	12.00
5.6GHz	UNII-2C	802.11a	6	104	5520	NR	NR	13.50	12.00	NR	12.00
5.6GHz	UNII-2C	802.11a	6	108	5540	NR	NR	13.50	12.00	NR	12.00
5.6GHz	UNII-2C	802.11a	6	112	5560	NR	NR	13.50	12.00	NR	12.00
5.6GHz	UNII-2C	802.11a	6	116	5580	NR	NR	13.50	11.95	NR	12.00
5.6GHz	UNII-2C	802.11a	6	120	5600	NR	NR	13.50	11.90	NR	12.00
5.6GHz	UNII-2C	802.11a	6	124	5620	NR	NR	13.50	12.00	NR	12.00
5.6GHz	UNII-2C	802.11a	6	128	5640	NR	NR	13.50	11.87	NR	12.00
5.6GHz	UNII-2C	802.11n20	HT0	100	5500	NR	NR	13.50	11.85	NR	12.00
5.6GHz	UNII-2C	802.11n20	HT0	104	5520	NR	NR	13.50	11.90	NR	12.00
5.6GHz	UNII-2C	802.11n20	HT0	108	5540	NR	NR	13.50	12.00	NR	12.00
5.6GHz	UNII-2C	802.11n20	HT0	112	5560	NR	NR	13.50	12.00	NR	12.00
5.6GHz	UNII-2C	802.11n20	HT0	116	5580	NR	NR	13.50	11.95	NR	12.00
5.6GHz	UNII-2C	802.11n20	HT0	120	5600	NR	NR	13.50	11.80	NR	12.00
5.6GHz	UNII-2C	802.11n20	HT0	124	5620	NR	NR	13.50	11.99	NR	12.00
5.6GHz	UNII-2C	802.11n20	HT0	128	5640	NR	NR	13.50	11.87	NR	12.00
5.6GHz	UNII-2C	802.11n40	HT0	102	5510	NR	NR	13.50	11.80	NR	12.00
5.6GHz	UNII-2C	802.11n40	HT0	110	5550	NR	NR	13.50	11.83	NR	12.00
5.6GHz	UNII-2C	802.11n40	HT0	118	5590	NR	NR	13.50	11.86	NR	12.00
5.6GHz	UNII-2C	802.11n40	HT0	126	5630	NR	NR	13.50	11.88	NR	12.00
5.6GHz	UNII-2C	802.11ac80	VHT0	106	5530	13.29	13.37	13.50	11.88	11.85	12.00
5.6GHz	UNII-2C	802.11ac80	VHT0	122	5610	13.33	13.34	13.50	11.77	11.82	12.00

Initial test configuration

1. NR: Not Required:

- When band gap channels between U-NII-2C and U-NII-3 band are supported channels in U-NII-2C band below 5.65 GHz are considered as one band and channels above 5.65 GHz, together with channels in 5.8 GHz U-NII-3 or §15.247 band, are considered as a separate band
- Additional conducted power measurement is required when reported SAR is > 1.2W/kg. In case the subsequent test configuration and the channel bandwidth is smaller than the initial test configuration, all channels that overlap with the larger channel bandwidth in the initial configuration should be tested
- The initial test configuration for 2.4 GHz and 5 GHz OFDM transmission modes is determined by the 802.11 configuration with the highest maximum output power specified for production units, including tune-up tolerance, in each standalone and aggregated frequency band. SAR for the initial test configuration is measured using the highest maximum output power channel determined by the default power measurement procedures. When multiple transmission modes (802.11a/g/n/ac) have the same specified maximum output power, largest channel bandwidth, lowest order modulation and lowest data rate, lowest order 802.11 mode is selected (i.e. a, g, n, ac then ax)
- When the reported SAR of the initial test configuration is > 0.8W/kg, SAR measurement is required for the subsequent next highest measured output power channel(s) in the initial test configuration until reported SAR is ≤1.2W/kg or all required channels are tested.
- When the highest reported SAR for the initial test configuration (when applicable, include subsequent highest output channels), according to the initial test position or fixed exposure requirements, is adjusted by the ratio of the subsequent test configuration to the initial test configuration specified maximum output power and the adjusted SAR is ≤1.2 W/Kg, SAR is not required for that subsequent test configuration.
- SAR for subsequent highest measured maximum output power channels in the subsequent test configuration is required only when the reported SAR of the preceding higher maximum output power channel(s) in the subsequent test configuration is >1.2 W/Kg or until all required channels are tested.

B.2.2.4 WLAN 5.6/5.8GHz (UNII-3)

						Average power (dBm)					
						Main			Aux		
Band	Radio Name	802.11	Rate (Mbps)	Ch#	Freq (MHz)	Speed Antenna	South Star Antenna	Tune Up Power	Speed Antenna	South Star Antenna	Tune Up Power
5.6GHz	UNII-3	802.11a	6	132	5660	NR	NR	13.50	11.95	NR	12.00
5.6GHz	UNII-3	802.11a	6	136	5680	NR	NR	13.50	11.88	NR	12.00
5.6GHz	UNII-3	802.11a	6	140	5700	NR	NR	13.50	11.83	NR	12.00
5.8GHz	UNII-3	802.11a	6	144	5720	NR	NR	13.50	11.45	NR	11.50
5.8GHz	UNII-3	802.11a	6	149	5745	NR	NR	13.50	11.50	NR	11.50
5.8GHz	UNII-3	802.11a	6	153	5765	NR	NR	13.50	11.40	NR	11.50
5.8GHz	UNII-3	802.11a	6	157	5785	NR	NR	13.50	11.45	NR	11.50
5.8GHz	UNII-3	802.11a	6	161	5805	NR	NR	13.50	11.50	NR	11.50
5.8GHz	UNII-3	802.11a	6	165	5825	NR	NR	13.50	11.48	NR	11.50
5.6GHz	UNII-3	802.11n20	HT0	132	5660	NR	NR	13.50	12.00	NR	12.00
5.6GHz	UNII-3	802.11n20	HT0	136	5680	NR	NR	13.50	12.00	NR	12.00
5.6GHz	UNII-3	802.11n20	HT0	140	5700	NR	NR	13.50	12.00	NR	12.00
5.8GHz	UNII-3	802.11n20	HT0	144	5720	NR	NR	13.50	11.50	NR	11.50
5.8GHz	UNII-3	802.11n20	HT0	149	5745	NR	NR	13.50	11.48	NR	11.50
5.8GHz	UNII-3	802.11n20	HT0	153	5765	NR	NR	13.50	11.45	NR	11.50
5.8GHz	UNII-3	802.11n20	HT0	157	5785	NR	NR	13.50	11.40	NR	11.50
5.8GHz	UNII-3	802.11n20	HT0	161	5805	NR	NR	13.50	11.47	NR	11.50
5.8GHz	UNII-3	802.11n20	HT0	165	5825	NR	NR	13.50	11.35	NR	11.50
5.6GHz	UNII-3	802.11n40	HT0	134	5670	NR	NR	13.50	11.79	NR	12.00
5.8GHz	UNII-3	802.11n40	HT0	142	5710	NR	NR	13.50	11.83	NR	12.00
5.8GHz	UNII-3	802.11n40	HT0	151	5755	NR	NR	13.50	11.34	NR	11.50
5.8GHz	UNII-3	802.11n40	HT0	159	5795	NR	NR	13.50	11.43	NR	11.50
5.6GHz	UNII-3	802.11ac80	VHT0	138	5690	13.35	13.34	13.50	11.85	11.75	12.00
5.8GHz	UNII-3	802.11ac80	VHT0	155	5775	13.27	13.32	13.50	11.28	11.37	11.50

Initial test configuration

1. NR: Not Required

- When band gap channels between U-NII-2C and U-NII-3 band are supported channels in U-NII-2C band below 5.65 GHz are considered as one band and channels above 5.65 GHz, together with channels in 5.8 GHz U-NII-3 or §15.247 band, are considered as a separate band
- Additional conducted power measurement is required when reported SAR is > 1.2W/kg. In case the subsequent test configuration and the channel bandwidth is smaller than the initial test configuration, all channels that overlap with the larger channel bandwidth in the initial configuration should be tested
- The initial test configuration for 2.4 GHz and 5 GHz OFDM transmission modes is determined by the 802.11 configuration with the highest maximum output power specified for production units, including tune-up tolerance, in each standalone and aggregated frequency band. SAR for the initial test configuration is measured using the highest maximum output power channel determined by the default power measurement procedures. When multiple transmission modes (802.11a/g/n/ac) have the same specified maximum output power, largest channel bandwidth, lowest order modulation and lowest data rate, lowest order 802.11 mode is selected (i.e. a, g, n, ac then ax)
- When the reported SAR of the initial test configuration is > 0.8W/kg, SAR measurement is required for the subsequent next highest measured output power channel(s) in the initial test configuration until reported SAR is ≤1.2W/kg or all required channels are tested.
- When the highest reported SAR for the initial test configuration (when applicable, include subsequent highest output channels), according to the initial test position or fixed exposure requirements, is adjusted by the ratio of the subsequent test configuration to the initial test configuration specified maximum output power and the adjusted SAR is ≤1.2 W/Kg, SAR is not required for that subsequent test configuration.
- SAR for subsequent highest measured maximum output power channels in the subsequent test configuration is required only when the reported SAR of the preceding higher maximum output power channel(s) in the subsequent test configuration is >1.2 W/Kg or until all required channels are tested.

B.2.3 Bluetooth

Band	Radio Name	802.15	Rate (Mbps)	Ch#	Freq (MHz)	Average power (dBm)		
						Speed Antenna	South Star Antenna	Tune Up power
						Aux[dBm]		[dBm]
BT	2.4GHz	Bluetooth v5.0	Basic rate GFSK	0	2402	9.44	9.23	10.00
BT	2.4GHz	Bluetooth v5.0	Basic rate GFSK	39	2441	10.13	9.97	10.50
BT	2.4GHz	Bluetooth v5.0	Basic rate GFSK	78	2480	10.16	10.43	10.50
BT	2.4GHz	Bluetooth v5.0	Basic rate p/4 DQPSK	0	2402	NR	NR	9.50
BT	2.4GHz	Bluetooth v5.0	Basic rate p/4 DQPSK	39	2441	NR	NR	9.50
BT	2.4GHz	Bluetooth v5.0	Basic rate p/4 DQPSK	78	2480	NR	NR	10.00
BT	2.4GHz	Bluetooth v5.0	Basic rate 8-DPSK	0	2402	NR	NR	9.50
BT	2.4GHz	Bluetooth v5.0	Basic rate 8-DPSK	39	2441	NR	NR	9.50
BT	2.4GHz	Bluetooth v5.0	Basic rate 8-DPSK	78	2480	NR	NR	10.00
BT	2.4GHz	BLE v5.0	GFSK	0	2412	NR	NR	8.00
BT	2.4GHz	BLE v5.0	GFSK	20	2442	NR	NR	8.00
BT	2.4GHz	BLE v5.0	GFSK	39	2480	NR	NR	8.50

Initial test configuration

1. NR: Not Required

B.3 Tissue Parameters Measurement

Body TSL

Freq. (MHz)	Target Parameters		Measured TSL Parameters		Deviation (%)		Date
	ϵ' (F/m)	σ (S/m)	ϵ' (F/m)	σ (S/m)	ϵ'	σ	
2450.0	52.70	1.95	51.64	2.08	-2.01	6.67	2020-07-20
5200.0	49.01	5.30	45.85	5.45	-6.45	2.83	2020-07-09
5300.0	48.88	5.42	46.42	5.66	-5.03	4.43	2020-07-06
5500.0	48.61	5.65	45.90	5.95	-5.57	5.31	2020-07-20
5600.0	48.47	5.77	45.74	6.06	-5.63	5.03	2020-07-20
5800.0	48.20	6.00	45.07	6.40	-6.49	6.67	2020-07-20

See *Annex D* for more details.

B.4 System Check Measurements

Body Measurements

Frequency (MHz)	Average	Target SAR (W/kg)	Measured SAR (W/kg)	Deviation to target (%)	Limit (%)	Date	
2450	1g	48.60	47.60	-2.06	±10	2020-07-20	
	10g	23.00	22.20	-3.48			
5200	1g	73.80	75.60	2.44			2020-07-10
	10g	20.70	22.00	6.28			
5300	1g	71.20	66.20	-7.02			2020-07-07
	10g	20.10	19.82	-1.39			
5500	1g	76.70	71.40	-6.91			2020-07-21
	10g	21.40	21.00	-1.87			
5600	1g	76.40	79.60	4.19			2020-07-21
	10g	21.40	23.00	7.48			
5800	1g	73.40	73.20	-0.54		2020-07-21	
	10g	20.40	20.80	1.96			

See *Annex C* for more details.

B.5 SAR Test Results

B.5.1 Bluetooth & 802.11b/g/n – 2.4GHz – DTS – BT (DSS)

Antenna Manufacturer	Mode	Data rate	BW (MHz)	Channel Number	Freq (MHz)	Test position mode	Antenna	Scaling Factor (dB).	Measured SAR 1g. (W/kg)	Reported SAR 1g (W/Kg)	No Plot
Speed	802.15	DH5	20	78	2480	Back Face	AUX	0.34	0.21	0.22	
						Top Edge		0.34	0.04	0.04	
						Right Edge		0.34	0.02	0.03	
	802.11b	1Mbps	20	6	2437	Back Face	MAIN	0.02	0.80	0.80	
						Top Edge		0.02	0.18	0.19	
						Left Edge		0.02	0.12	0.12	
	802.11b	1Mbps	20	6	2437	Back Face	AUX	0.07	0.68	0.69	
						Top Edge		0.07	0.11	0.11	
						Right Edge		0.07	0.10	0.11	
South Star	802.15	DH5	20	39	2441	Back Face	AUX	0.07	0.43	0.43	
						Top Edge		0.07	0.02	0.02	
						Right Edge		0.07	0.00	0.00	
	802.11b	1Mbps	20	6	2437	Back Face	MAIN	0.07	0.75	0.76	
						Top Edge		0.07	0.16	0.16	
						Left Edge		0.07	0.02	0.02	
	802.11b	1Mbps	20	1	2412	Back Face	AUX	0.21	1.08	1.13	
				6	2437	Back Face		0.14	1.17	1.21	
						Top Edge		0.14	0.07	0.07	
						Right Edge		0.14	0.00	0.00	
	802.11g	6Mbps	20	11	2462	Back Face		0.23	1.23	1.26	
				1	2412	Back Face		0.17	1.22	1.27	
								6	2437	Back Face	0.12
	11	2462	Back Face	0.04	1.35	1.36					
				802.11n	HT0	20		1	2412	Back Face	0.14
	6	2437	0.14					1.29	1.33		
	11	2462	0.14					1.36	1.41		
	802.11n	HT0	40	3	2422	Back Face	0.10	1.37	1.40		
				6	2437		0.10	1.42	1.45	1	
				9	2452		0.10	1.27	1.30		

B.5.2 802.11a/n/ac – 5.3 GHz – U-NII-1

Antenna Manufacturer	Mode	Data rate	BW (MHz)	Channel Number	Freq (MHz)	Test position mode	Antenna	Scaling Factor (dB).	Measured SAR 1g. (W/kg)	Reported SAR 1g (W/Kg)	No Plot
Speed	802.11a	6Mbps	20	36	5180	Back Face	AUX	0.20	1.38	1.45	2
				40	5200			0.20	1.30	1.36	
				44	5240			0.15	1.36	1.41	
				48	5280			0.08	1.35	1.38	
	802.11n	HT0	20	36	5180	Back Face		0.20	1.32	1.38	
				40	5200			0.20	1.16	1.22	
				44	5240			0.00	1.22	1.22	
				48	5280			0.00	1.22	1.22	
	802.11n	HT0	40	38	5190	Back Face		0.24	1.29	1.36	
				46	5230			0.23	1.35	1.42	
	802.11ac	VHT0	80	42	5210	Back Face		0.24	1.24	1.31	
						Top Edge		0.24	0.50	0.53	
						Right Edge		0.24	0.10	0.11	
South Star	802.11ac	VHT0	80	42	5210	Back Face	Aux	0.23	1.00	1.05	
						Top Edge		0.23	0.90	0.95	
						Right Edge		0.23	0.00	0.00	

B.5.3 802.11a/n/ac – 5.3 GHz – U-NII-2A

Antenna Manufacturer	Mode	Data rate	BW (MHz)	Channel Number	Freq (MHz)	Test position mode	Antenna	Scaling Factor (dB).	Measured SAR 1g. (W/kg)	Reported SAR 1g (W/Kg)	No Plot		
Speed	802.11ac	VHT0	80	58	5290	Back Face	MAIN	0.15	0.92	0.95			
						Top Edge		0.15	0.89	0.92			
						Left Edge		0.15	0.05	0.05			
	802.11a	6Mbps	20	52	5260	Back Face	AUX	0.00	1.26	1.26			
				56	5280			0.00	1.31	1.31			
				60	5300			0.00	1.39	1.39			
				64	5320			0.00	1.26	1.26			
	802.11n	HT0	20	52	5260			0.00	1.27	1.27			
				56	5280			0.00	1.33	1.33			
				60	5300			0.00	1.34	1.34			
				64	5320			0.00	1.37	1.37			
	802.11n	HT0	40	54	5270			0.15	1.33	1.38			
				62	5310			0.08	1.43	1.46	3		
	802.11ac	VHT0	80	58	5290			0.24	1.18	1.25			
	South Star	802.11ac	VHT0	80	58			5290	Back Face	MAIN	0.04	0.81	0.81
Top Edge									0.04		0.80	0.80	
Left Edge									0.04		0.01	0.01	

B.5.4 802.11a/n/ac – 5.6 GHz – U-NII-2C

Antenna Manufacturer	Mode	Data rate	BW (MHz)	Channel Number	Freq (MHz)	Test position mode	Antenna	Scaling Factor (dB)	Measured SAR 1g (W/kg)	Reported SAR 1g (W/Kg)	No Plot
Speed	802.11ac	VHT0	80	106	5530	Back Face	MAIN	0.21	0.88	0.93	
						Back Face		0.17	1.01	1.05	
				122	5610	Top Edge		0.17	0.73	0.76	
						Left Edge		0.17	0.09	0.09	
	802.11a	6Mbps	20	100	5500	Back Face	AUX	0.00	1.21	1.21	
				104	5520			0.00	1.23	1.23	
				108	5540			0.00	1.21	1.21	
				112	5560			0.00	1.20	1.20	
	802.11n	HT0	20	112	5560			0.00	1.20	1.20	
				102	5510			0.20	1.39	1.46	
				110	5550			0.17	1.44	1.50	4
				118	5590			0.14	1.35	1.39	
	802.11n	HT0	40	126	5630	0.12	1.36	1.40			
				106	5530	0.12	1.32	1.36			
						Top Edge	0.12	0.75	0.77		
						Right Edge	0.12	0.09	0.09		
802.11ac	VHT0	80	122	5610	Back Face		0.23	1.03	1.09		
			106	5530	Back Face	0.13	0.80	0.82			
					Top Edge	0.13	0.88	0.90			
					Left Edge	0.13	0.01	0.01			
South Star	802.11ac	VHT0	80	106	5530	MAIN	Back Face	0.16	0.86	0.89	
							Top Edge	0.16	0.87	0.90	
							Left Edge	0.15	1.08	1.12	
	802.11ac	VHT0	80	122	5610	AUX	Back Face	0.15	1.01	1.05	
							Top Edge	0.15	0.00	0.00	
							Right Edge	0.15	0.00	0.00	
	802.11ac	VHT0	80	106	5530	AUX	Back Face	0.18	1.02	1.06	
							Top Edge	0.18	0.91	0.95	

B.5.4 802.11a/n/ac – 5.8 GHz – U-NII-3

Antenna Manufacturer	Mode	Data rate	BW (MHz)	Channel Number	Freq (MHz)	Test position mode	Antenna	Scaling Factor (dB)	Measured SAR 1g. (W/kg)	Reported SAR 1g (W/Kg)	No Plot
Speed	802.11ac	VHT0	80	138	5690	Back Face	MAIN	0.15	1.00	1.04	
						Top Edge		0.15	0.73	0.77	
				Left Edge	0.15	0.09		0.09			
				155	5775	Back Face		0.23	0.96	1.02	
	802.11n	HT0	20	132	5660	Back Face	AUX	0.05	1.23	1.24	
				136	5680			0.12	1.28	1.32	
				140	5700			0.17	1.18	1.23	
				161	5805			0.00	1.17	1.17	
	802.11n	HT0	20	132	5660			0.00	1.38	1.38	5
				136	5680			0.00	1.24	1.24	
				140	5700			0.00	1.15	1.15	
				134	5670			0.21	1.21	1.27	
	802.11n	HT0	40	142	5710			0.17	1.02	1.06	
				151	5755			0.16	1.20	1.25	
				159	5795			0.07	1.24	1.26	
				802.11ac	VHT0			80	138	5690	Back Face
	Top Edge	0.15	0.61			0.64					
	155	5775	Right Edge			0.15	0.10		0.10		
			Back Face			0.22	1.00		1.05		
	South Star	802.11ac	VHT0	80	138	5690	Back Face	MAIN	0.16	0.95	0.99
Top Edge							0.16		0.95	0.98	
Left Edge							0.16		0.03	0.03	
155					5775	Back Face	0.18		0.85	0.89	
						Top Edge	0.18		0.84	0.88	
802.11ac		VHT0	80	138	5690	Back Face	AUX	0.25	1.07	1.13	
						Top Edge		0.25	0.87	0.92	
						Right Edge		0.25	0.01	0.01	
				155	5775	Back Face		0.13	0.95	0.98	
						Top Edge		0.13	0.79	0.81	

B.5.5 SAR Measurement Variability

According to FCC OET KDB 865664, SAR Measurement variability is assessed when the maximum initial measured SAR is ≥ 0.8 W/kg for a certain band/mode. If the measured SAR value of the initial repeated measurement is < 1.45 W/kg with $< 20\%$ variation, only one repeated measurement is required to confirm that the results are not expected to have substantial variations.

A second repeated measurement is required only if the measured results for the initial repeated measurement are within 10% of the SAR limit or vary by more than 20%.

A third repeated measurement is required only if the original, first or second repeated measurement ≥ 1.5 W/Kg and the ratio of largest to smallest SAR for the original, first and second repeated measurement is > 1.2 .

Band / Mode	Position	Ch #	Freq. (MHz)	Measured SAR 1g (W/kg)	1 st Repeated SAR 1g (W/Kg)	2 nd Repeated SAR 1g (W/Kg)	Highest Ratio
2.4GHz 802.11n40 HT0	Back Face	6	2437	1.42	1.32		1.07
5.2GHz 802.11a 6Mbps	Back Face	36	5180	1.38	1.24		1.11
5.3GHz 802.11n40 HT0	Back Face	62	5310	1.43	1.38		1.04
5.5GHz 802.11n40 HT0	Back Face	110	5550	1.44	1.39		1.04
5.6GHz 802.11n20 HT0	Back Face	132	5660	1.38	1.37		1.01
5.8GHz 802.11n40 HT0	Back Face	159	5795	1.24	1.22		1.02

B.5.6 Simultaneous Transmission SAR Evaluation

According to FCC OET KDB 447498 D01, when the sum of 1g SAR for all simultaneously transmitting antennas in an operating mode and exposure condition combination is within the SAR limit, SAR test exclusion applies to that simultaneous transmission configuration.

All the values stated in the table below are the worst case found for standalone measurement with disregard of the transmission mode or channel where the worst case was found

Antenna	Position	Highest Reported SAR (1g) (W/Kg)		
		WLAN 2.4GHz	WLAN 5GHz	Bluetooth
Main	Back Face	0.80	1.05	
	Top Edge	0.19	0.98	
	Left Edge	0.12	0.09	
Aux	Back Face	1.45	1.50	0.43
	Top Edge	0.11	1.05	0.04
	Right Edge	0.11	0.11	0.03

Position	Simultaneous Tx Antenna Combination		Σ SAR 1g (W/Kg)	Limit (W/kg)
	Aux Antenna	Main Antenna		
Back Face	WLAN 5GHz	WLAN 5GHz	2.55	1.6
	WLAN 5GHz + BT	WLAN 5GHz	2.98	
	BT	WLAN 5GHz	1.48	
	WLAN 2.4GHz	WLAN 2.4GHz	2.25	
	BT	WLAN 2.4GHz	1.23	
Top Edge	WLAN 5GHz	WLAN 5GHz	2.03	
	WLAN 5GHz + BT	WLAN 5GHz	2.07	
	BT	WLAN 5GHz	1.02	
	WLAN 2.4GHz	WLAN 2.4GHz	0.30	
	BT	WLAN 2.4GHz	0.23	

In case the sum of SAR is larger than the limit, SAR test exclusion is determined by the SAR to peak location separation ratio:

Position	Antenna	Reported SAR 1g (W/kg)	Σ SAR 1g (W/Kg)	Peak Location (mm) (x,y,z)	SAR to peak location separation ratio	Limit
Back Face	Main WLAN 5GHz	1.05	2.55	(70.0, -100.0, -173.0)	0.02	0.04
	Aux WLAN 5GHz	1.50		(70.0, 100.0, -172.9)		
	Main WLAN 5GHz	1.05	2.98	(70.0, -100.0, -173.0)	0.03	
	Aux WLAN 5GHz + BT	1.93		(70.0, 100.0, -172.9)		
	Main WLAN 2.4GHz	0.80	2.25	(70.0, -99.6, -173.0)	0.02	
	Aux WLAN 2.4GHz	1.45		(78.4, 102.0, -173.0)		
Top Edge	Main WLAN 5GHz	0.98	2.03	(-1.0, -100.0, -173.3)	0.01	
	Aux WLAN 5GHz	1.05		(0.0, 98.0, -173.1)		
	Main WLAN 5GHz	0.98	2.07	(-1.0, -100.0, -173.3)	0.02	
	Aux WLAN 5GHz + BT	1.09		(0.0, 98.0, -173.1)		

Considering the results described above and according to the simultaneous transmission evaluation exclusions described in FCC OET KDB 447498 D01, no enlarged zoom scan measurements are required

Annex C. Test System Plots

1.	DTS - 802.11n40, CH6, South Star Antenna, Aux transmitter – Back Face	39
2.	UNII-1 - 802.11a, CH36, Speed Antenna, Aux transmitter – Back Face.....	40
3.	UNII-2A - 802.11n40, CH62, Speed Antenna, Aux transmitter – Back Face.....	41
4.	UNII-2C - 802.11n40, CH110, Speed Antenna, Aux transmitter – Back Face.....	42
5.	UNII-3 - 802.11n20, CH132, Speed Antenna, Aux transmitter – Back Face	43
6.	System Check Body Liquid 2450.0MHz.....	44
7.	System Check Body Liquid 5200.0MHz.....	45
8.	System Check Body Liquid 5300.0MHz.....	46
9.	System Check Body Liquid 5500.0MHz.....	47
10.	System Check Body Liquid 5600.0MHz.....	48
11.	System Check Body Liquid 5800.0MHz.....	49

1. DTS - 802.11n40, CH6, South Star Antenna, Aux transmitter – Back Face

Device under Test Properties

Name, Manufacturer	Dimensions [mm]	Serial	DUT Type
Ideapad Duet 3 10IGL5, Lenovo	165.0 x 250.0 x 10.0	YX006VTY	Convertible PC

Exposure Conditions

Phantom Section, TSL	Position, Test Distance [mm]	Band	Group, UID	Frequency [MHz], Channel Number	Conversion Factor	TSL Conductivity [S/m]	TSL Permittivity
Flat MSL	BACK 0.00	WLAN 2.4GHz	WCDMA, 10114-CAC	2437.0, 6	7.28	2.07	51.6

Hardware Setup

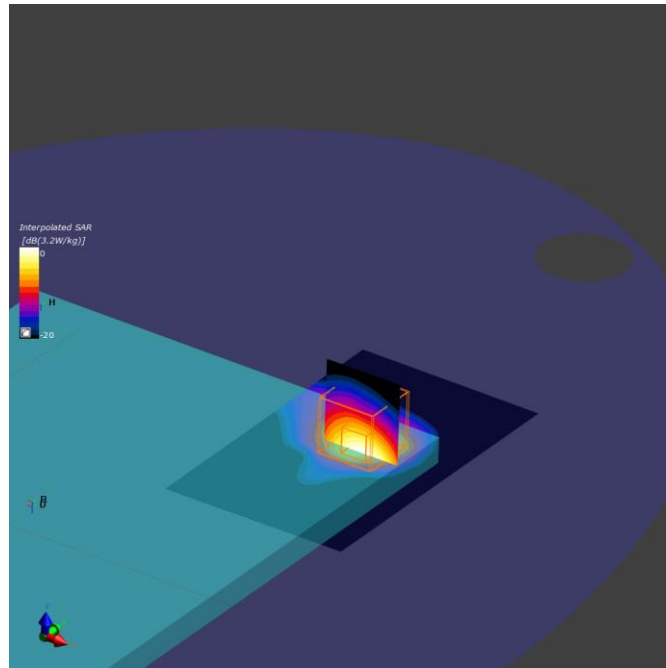
Phantom	TSL, Measured Date	Probe, Calibration Date	DAE, Calibration Date
ELI V8.0 (20deg probe tilt) - 2048	MBBL-600-6000 , 2020-Jul-20	EX3DV4 - SN3978, 2020-05-22	DAE4 Sn1429, 2020-05-14

Scan Setup

	Area Scan	Zoom Scan
Grid Extents [mm]	120.0 x 72.0	30.0 x 30.0 x 30.0
Grid Steps [mm]	12.0 x 12.0	5.0 x 5.0 x 5.0
Sensor Surface [mm]	3.0	1.4
Graded Grid	No	No
Grading Ratio	n/a	n/a
MAIA	Confirmed by MAIA	Confirmed by MAIA
Surface Detection	Yes	Yes
Scan Method	Measured	Measured

Measurement Results

	Area Scan	Zoom Scan
Date	2020-07-20, 11:36	2020-07-20, 11:43
SAR1g [W/Kg]	1.11	1.42
SAR10g [W/Kg]	0.503	0.527
Power Drift [dB]	-0.15	-0.04
Power Scaling	Disabled	Disabled
Scaling Factor		
TSL Correction	Positive Only	Positive Only



2. UNII-1 - 802.11a, CH36, Speed Antenna, Aux transmitter – Back Face

Device under Test Properties

Name, Manufacturer	Dimensions [mm]	Serial	DUT Type
Ideapad Duet 3 10IGL5, Lenovo	165.0 x 250.0 x 10.0	YX006VYD	Convertible PC

Exposure Conditions

Phantom Section, TSL	Position, Test Distance [mm]	Band	Group, UID	Frequency [MHz], Channel Number	Conversion Factor	TSL Conductivity [S/m]	TSL Permittivity
Flat MSL	BACK 0.00	WLAN 5GHz	WCDMA, 10062-CAC	5180.0, 36	4.23	5.42	45.9

Hardware Setup

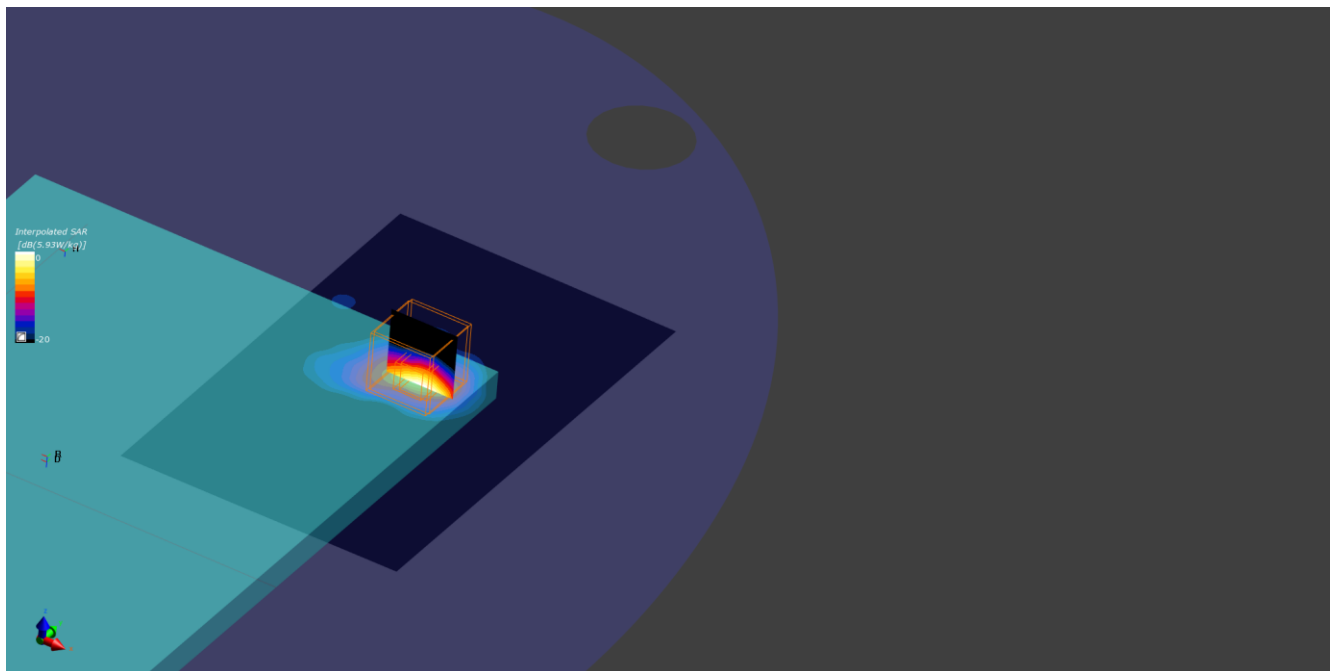
Phantom	TSL, Measured Date	Probe, Calibration Date	DAE, Calibration Date
ELI V8.0 (20deg probe tilt) - 2048	MBBL-600-6000 , 2020-Jul-09	EX3DV4 - SN3978, 2020-05-22	DAE4 Sn1429, 2020-05-14

Scan Setup

	Area Scan	Zoom Scan
Grid Extents [mm]	160.0 x 100.0	22.0 x 22.0 x 22.0
Grid Steps [mm]	10.0 x 10.0	4.0 x 4.0 x 1.4
Sensor Surface [mm]	3.0	1.4
Graded Grid	No	Yes
Grading Ratio	n/a	1.4
MAIA	Confirmed by MAIA	Confirmed by MAIA
Surface Detection	Yes	Yes
Scan Method	Measured	Measured

Measurement Results

	Area Scan	Zoom Scan
Date	2020-07-10, 15:11	2020-07-10, 15:17
SAR1g [W/Kg]	1.33	1.38
SAR10g [W/Kg]	0.371	0.361
Power Drift [dB]	-0.02	-0.02
Power Scaling	Disabled	Disabled
Scaling Factor		
TSL Correction	Positive Only	Positive Only



3. UNII-2A - 802.11n40, CH62, Speed Antenna, Aux transmitter – Back Face

Device under Test Properties

Name, Manufacturer	Dimensions [mm]	Serial	DUT Type
Ideapad Duet 3 10IGL5, Lenovo	165.0 x 250.0 x 10.0	YX006VYD	Convertible PC

Exposure Conditions

Phantom Section, TSL	Position, Test Distance [mm]	Band	Group, UID	Frequency [MHz], Channel Number	Conversion Factor	TSL Conductivity [S/m]	TSL Permittivity
Flat MSL	BACK 0.00	WLAN 5GHz	WCDMA, 10114-CAC	5310.0, 62	4.15	5.68	46.4

Hardware Setup

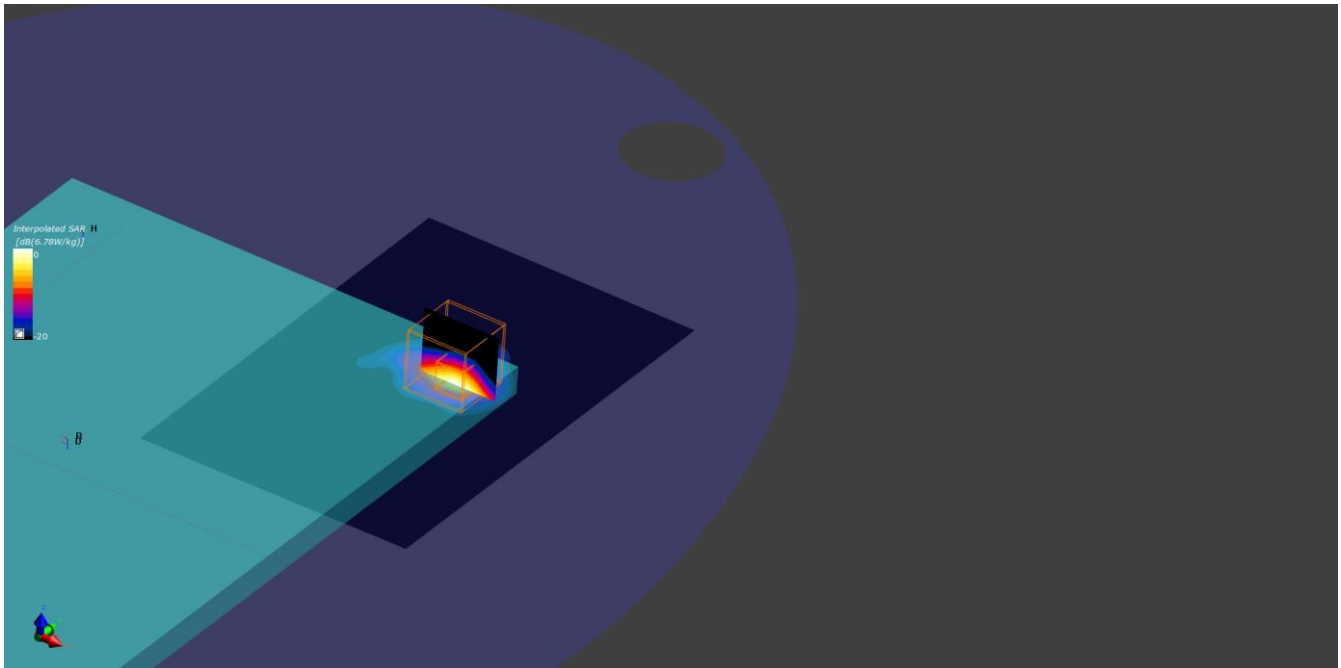
Phantom	TSL, Measured Date	Probe, Calibration Date	DAE, Calibration Date
ELI V8.0 (20deg probe tilt) - 2048	MBBL-600-6000 , 2020-Jul-06	EX3DV4 - SN3978, 2020-05-22	DAE4 Sn1429, 2020-05-14

Scan Setup

	Area Scan	Zoom Scan
Grid Extents [mm]	160.0 x 100.0	22.0 x 22.0 x 22.0
Grid Steps [mm]	10.0 x 10.0	4.0 x 4.0 x 1.4
Sensor Surface [mm]	3.0	1.4
Graded Grid	No	Yes
Grading Ratio	n/a	1.4
MAIA	Confirmed by MAIA	Confirmed by MAIA
Surface Detection	Yes	Yes
Scan Method	Measured	Measured

Measurement Results

	Area Scan	Zoom Scan
Date	2020-07-07, 15:05	2020-07-07, 15:12
SAR1g [W/Kg]	1.32	1.43
SAR10g [W/Kg]	0.343	0.334
Power Drift [dB]	-0.11	-0.09
Power Scaling	Disabled	Disabled
Scaling Factor		
TSL Correction	Positive Only	Positive Only



4. UNII-2C - 802.11n40, CH110, Speed Antenna, Aux transmitter – Back Face

Device under Test Properties

Name, Manufacturer	Dimensions [mm]	Serial	DUT Type
Ideapad Duet 3 10IGL5, Lenovo	165.0 x 250.0 x 10.0	YX006VYD	Convertible PC

Exposure Conditions

Phantom Section, TSL	Position, Test Distance [mm]	Band	Group, UID	Frequency [MHz], Channel Number	Conversion Factor	TSL Conductivity [S/m]	TSL Permittivity
Flat MSL	BACK 0.00	WLAN 5GHz	WCDMA, 10114-CAC	5550.0, 110	3.77	6.00	45.8

Hardware Setup

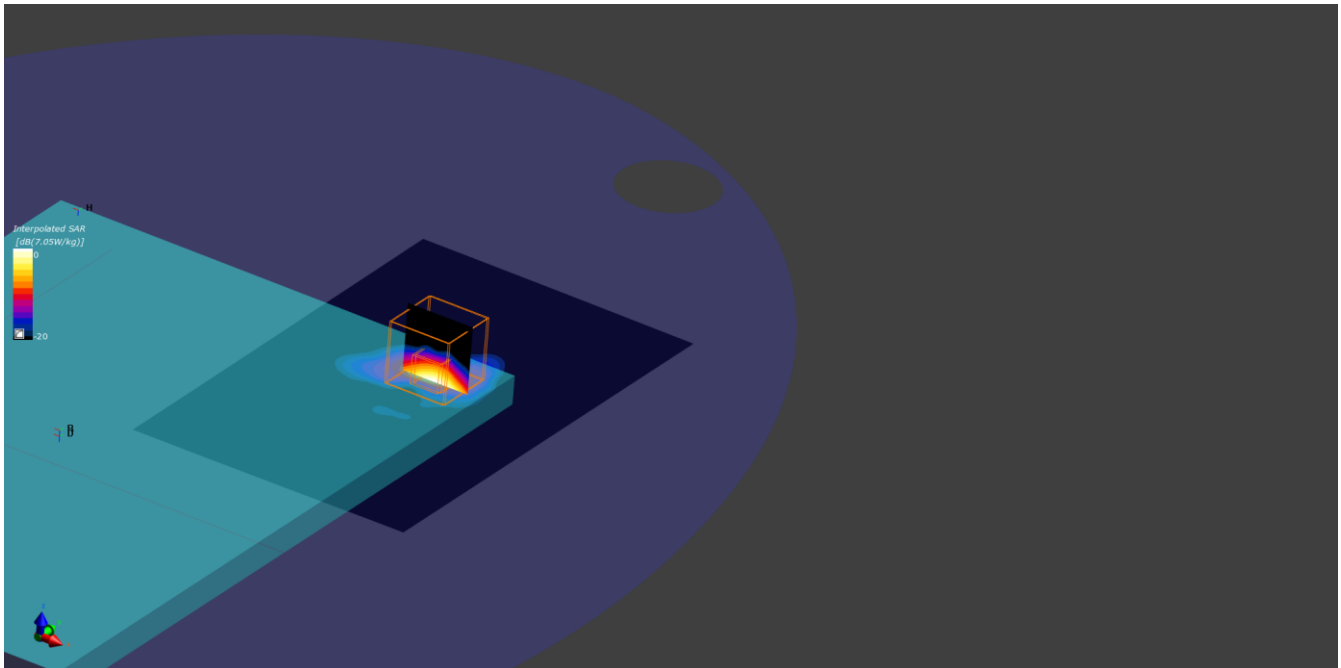
Phantom	TSL, Measured Date	Probe, Calibration Date	DAE, Calibration Date
ELI V8.0 (20deg probe tilt) - 2048	MBBL-600-6000 , 2020-Jul-20	EX3DV4 - SN3978, 2020-05-22	DAE4 Sn1429, 2020-05-14

Scan Setup

	Area Scan	Zoom Scan
Grid Extents [mm]	160.0 x 100.0	22.0 x 22.0 x 22.0
Grid Steps [mm]	10.0 x 10.0	4.0 x 4.0 x 1.4
Sensor Surface [mm]	3.0	1.4
Graded Grid	No	Yes
Grading Ratio	n/a	1.4
MAIA	Confirmed by MAIA	Confirmed by MAIA
Surface Detection	Yes	Yes
Scan Method	Measured	Measured

Measurement Results

	Area Scan	Zoom Scan
Date	2020-07-21, 14:00	2020-07-21, 14:07
SAR1g [W/Kg]	1.32	1.44
SAR10g [W/Kg]	0.328	0.337
Power Drift [dB]	-0.07	-0.04
Power Scaling	Disabled	Disabled
Scaling Factor		
TSL Correction	Positive Only	Positive Only



5. UNII-3 - 802.11n20, CH132, Speed Antenna, Aux transmitter – Back Face

Device under Test Properties

Name, Manufacturer	Dimensions [mm]	Serial	DUT Type
Ideapad Duet 3 10IGL5, Lenovo	165.0 x 250.0 x 10.0	YX006VYD	Convertible PC

Exposure Conditions

Phantom Section, TSL	Position, Test Distance [mm]	Band	Group, UID	Frequency [MHz], Channel Number	Conversion Factor	TSL Conductivity [S/m]	TSL Permittivity
Flat MSL	EDGE TOP 0.00	WLAN 5GHz	WCDMA, 10193-CAC	5660.0, 132	3.77	6.15	45.6

Hardware Setup

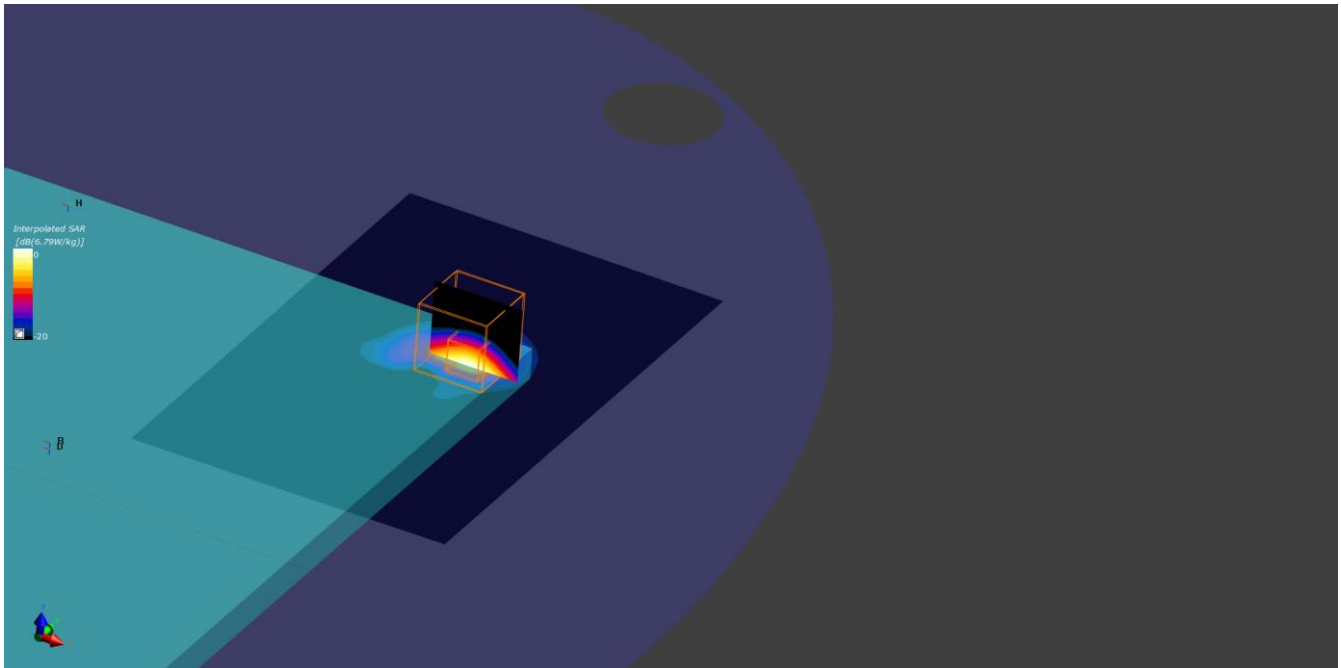
Phantom	TSL, Measured Date	Probe, Calibration Date	DAE, Calibration Date
ELI V8.0 (20deg probe tilt) - 2048	MBBL-600-6000 , 2020-Jul-20	EX3DV4 - SN3978, 2020-05-22	DAE4 Sn1429, 2020-05-14

Scan Setup

	Area Scan	Zoom Scan
Grid Extents [mm]	160.0 x 100.0	22.0 x 22.0 x 22.0
Grid Steps [mm]	10.0 x 10.0	4.0 x 4.0 x 1.4
Sensor Surface [mm]	3.0	1.4
Graded Grid	No	Yes
Grading Ratio	n/a	1.4
MAIA	Confirmed by MAIA	Confirmed by MAIA
Surface Detection	Yes	Yes
Scan Method	Measured	Measured

Measurement Results

	Area Scan	Zoom Scan
Date	2020-07-21, 16:54	2020-07-21, 17:02
SAR1g [W/Kg]	1.14	1.38
SAR10g [W/Kg]	0.310	0.318
Power Drift [dB]	-0.17	-0.13
Power Scaling	Disabled	Disabled
Scaling Factor		
TSL Correction	Positive Only	Positive Only



6. System Check Body Liquid 2450.0MHz

Device under Test Properties

Name, Manufacturer	Dimensions [mm]	Serial Number	DUT Type
D2450V2 , SPEAG	50.0 x 10.0 x 8.0	937	Validation Dipole

Exposure Conditions

Phantom Section, TSL	Position, Test Distance [mm]	Band	Group, UID	Frequency [MHz], Channel Number	Conversion Factor	TSL Conductivity [S/m]	TSL Permittivity
Flat MSL			,	2450.0, 0	7.28	2.08	51.6

Hardware Setup

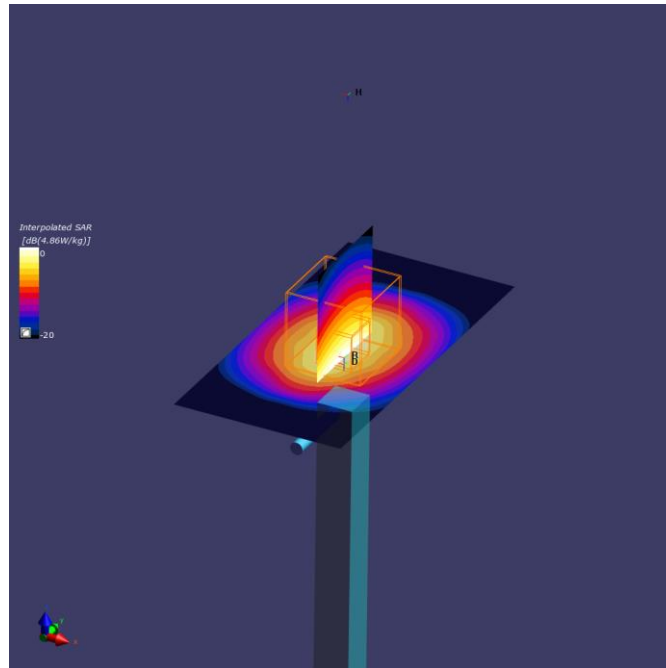
Phantom	TSL, Measured Date	Probe, Calibration Date	DAE, Calibration Date
ELI V8.0 (20deg probe tilt) - 2048	MBBL-600-6000 , 2020-Jul-20	EX3DV4 - SN3978, 2020-05-22	DAE4 Sn1429, 2020-05-14

Scan Setup

	Area Scan	Zoom Scan
Grid Extents [mm]	48.0 x 96.0	30.0 x 30.0 x 30.0
Grid Steps [mm]	12.0 x 12.0	5.0 x 5.0 x 5.0
Sensor Surface [mm]	3.0	1.4
Graded Grid	No	No
Grading Ratio	n/a	n/a
MAIA	Confirmed by MAIA	Confirmed by MAIA
Surface Detection	Yes	Yes
Scan Method	Measured	Measured

Measurement Results

	Area Scan	Zoom Scan
Date	2020-07-20, 16:41	2020-07-20, 16:48
psSAR1g [W/Kg]	2.19	2.38
psSAR10g [W/Kg]	1.00	1.11
Power Drift [dB]	-0.05	-0.02
Power Scaling	Disabled	Disabled
Scaling Factor		
[dB]		
TSL Correction	Positive Only	Positive Only



7. System Check Body Liquid 5200.0MHz

Device under Test Properties

Name, Manufacturer	Dimensions [mm]	Serial Number	DUT Type
D5GHzV2 , SPEAG	50.0 x 10.0 x 8.0	1164	Validation Dipole

Exposure Conditions

Phantom Section, TSL	Position, Test Distance [mm]	Band	Group, UID	Frequency [MHz], Channel Number	Conversion Factor	TSL Conductivity [S/m]	TSL Permittivity
Flat MSL			,	5200.0, 0	4.23	5.45	45.8

Hardware Setup

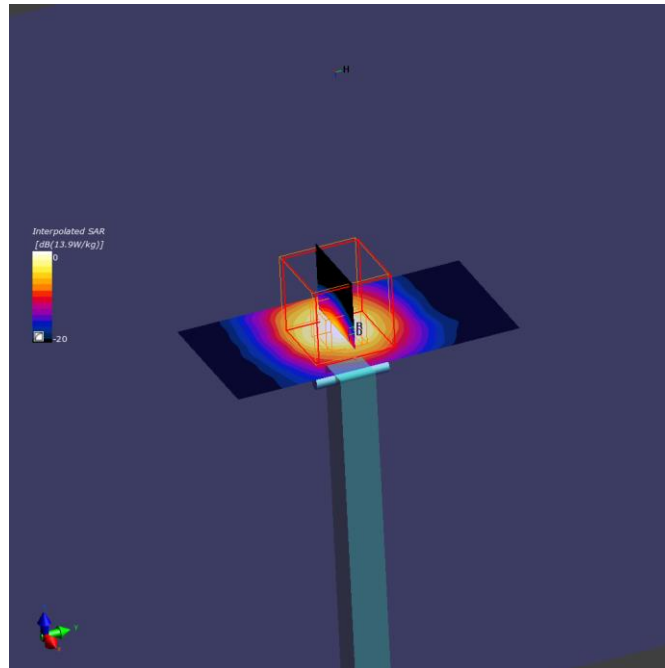
Phantom	TSL, Measured Date	Probe, Calibration Date	DAE, Calibration Date
ELI V8.0 (20deg probe tilt) - 2048	MBBL-600-6000 , 2020-Jul-09	EX3DV4 - SN3978, 2020-05-22	DAE4 Sn1429, 2020-05-14

Scan Setup

	Area Scan	Zoom Scan
Grid Extents [mm]	40.0 x 80.0	22.0 x 22.0 x 22.0
Grid Steps [mm]	10.0 x 10.0	4.0 x 4.0 x 1.4
Sensor Surface [mm]	3.0	1.4
Graded Grid	No	Yes
Grading Ratio	n/a	1.4
MAIA	Confirmed by MAIA	Confirmed by MAIA
Surface Detection	Yes	Yes
Scan Method	Measured	Measured

Measurement Results

	Area Scan	Zoom Scan
Date	2020-07-10, 18:11	2020-07-10, 18:17
psSAR1g [W/Kg]	2.48	3.78
psSAR10g [W/Kg]	0.747	1.10
Power Drift [dB]	0.05	-0.04
Power Scaling	Disabled	Disabled
Scaling Factor		
TSL Correction	Positive Only	Positive Only



8. System Check Body Liquid 5300.0MHz

Device under Test Properties

Name, Manufacturer	Dimensions [mm]	Serial Number	DUT Type
D5GHzV2 , SPEAG	50.0 x 10.0 x 8.0	1164	Validation Dipole

Exposure Conditions

Phantom Section, TSL	Position, Test Distance [mm]	Band	Group, UID	Frequency [MHz], Channel Number	Conversion Factor	TSL Conductivity [S/m]	TSL Permittivity
Flat MSL			,	5300.0, 0	4.15	5.66	46.4

Hardware Setup

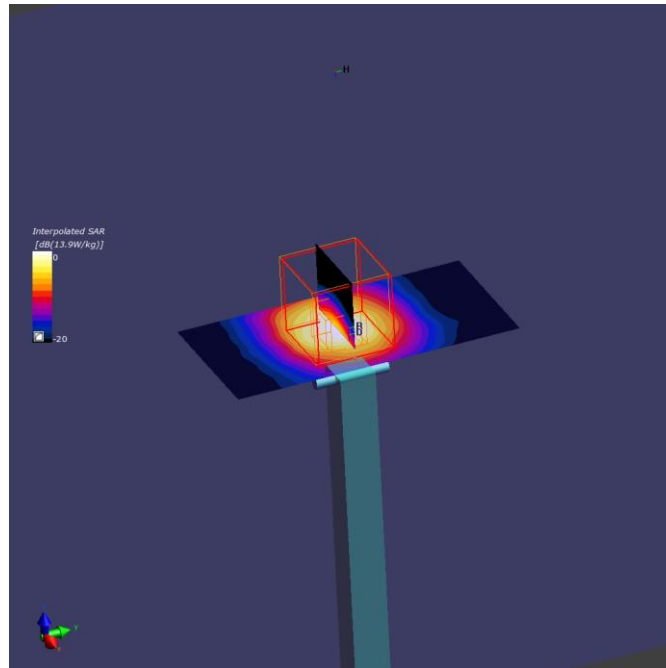
Phantom	TSL, Measured Date	Probe, Calibration Date	DAE, Calibration Date
ELI V8.0 (20deg probe tilt) - 2048	MBBL-600-6000 , 2020-Jul-06	EX3DV4 - SN3978, 2020-05-22	DAE4 Sn1429, 2020-05-14

Scan Setup

	Area Scan	Zoom Scan
Grid Extents [mm]	40.0 x 80.0	22.0 x 22.0 x 22.0
Grid Steps [mm]	10.0 x 10.0	4.0 x 4.0 x 1.4
Sensor Surface [mm]	3.0	1.4
Graded Grid	No	Yes
Grading Ratio	n/a	1.4
MAIA	Confirmed by MAIA	Confirmed by MAIA
Surface Detection	Yes	Yes
Scan Method	Measured	Measured

Measurement Results

	Area Scan	Zoom Scan
Date	2020-07-07, 18:15	2020-07-07, 18:22
psSAR1g [W/Kg]	2.35	3.31
psSAR10g [W/Kg]	0.711	0.991
Power Drift [dB]	0.01	-0.02
Power Scaling	Disabled	Disabled
Scaling Factor [dB]		
TSL Correction	Positive Only	Positive Only



9. System Check Body Liquid 5500.0MHz

Device under Test Properties

Name, Manufacturer	Dimensions [mm]	Serial Number	DUT Type
D5GHzV2 , SPEAG	50.0 x 10.0 x 8.0	1164	Validation Dipole

Exposure Conditions

Phantom Section, TSL	Position, Test Distance [mm]	Band	Group, UID	Frequency [MHz], Channel Number	Conversion Factor	TSL Conductivity [S/m]	TSL Permittivity
Flat MSL			,	5500.0, 0	3.86	5.95	45.9

Hardware Setup

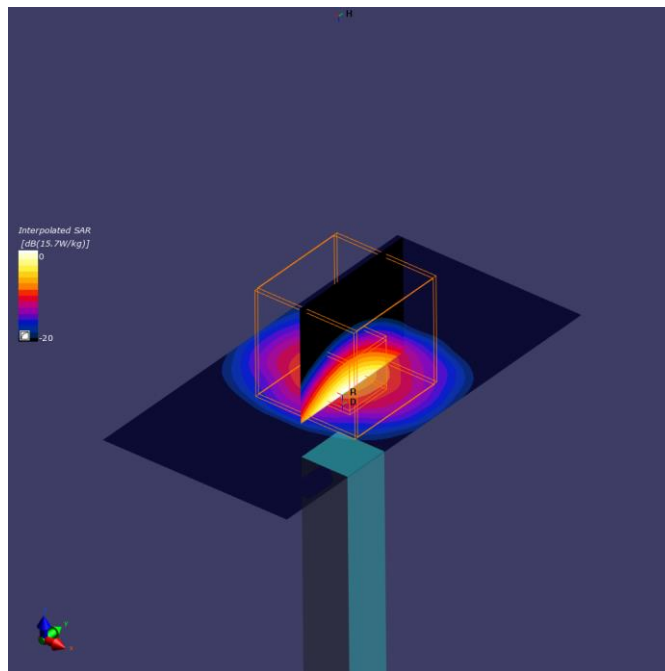
Phantom	TSL, Measured Date	Probe, Calibration Date	DAE, Calibration Date
ELI V8.0 (20deg probe tilt) - 2048	MBBL-600-6000 , 2020-Jul-20	EX3DV4 - SN3978, 2020-05-22	DAE4 Sn1429, 2020-05-14

Scan Setup

	Area Scan	Zoom Scan
Grid Extents [mm]	40.0 x 80.0	22.0 x 22.0 x 22.0
Grid Steps [mm]	10.0 x 10.0	4.0 x 4.0 x 1.4
Sensor Surface [mm]	3.0	1.4
Graded Grid	No	Yes
Grading Ratio	n/a	1.4
MAIA	Confirmed by MAIA	Confirmed by MAIA
Surface Detection	Yes	Yes
Scan Method	Measured	Measured

Measurement Results

	Area Scan	Zoom Scan
Date	2020-07-21, 18:52	2020-07-21, 18:59
psSAR1g [W/Kg]	2.66	3.57
psSAR10g [W/Kg]	0.770	1.05
Power Drift [dB]	0.01	-0.01
Power Scaling	Disabled	Disabled
Scaling Factor [dB]		
TSL Correction	Positive Only	Positive Only



10. System Check Body Liquid 5600.0MHz

Device under Test Properties

Name, Manufacturer	Dimensions [mm]	Serial Number	DUT Type
D5GHzV2 , SPEAG	50.0 x 10.0 x 8.0	1164	Validation Dipole

Exposure Conditions

Phantom Section, TSL	Position, Test Distance [mm]	Band	Group, UID	Frequency [MHz], Channel Number	Conversion Factor	TSL Conductivity [S/m]	TSL Permittivity
Flat MSL			,	5600.0, 0	3.77	6.06	45.7

Hardware Setup

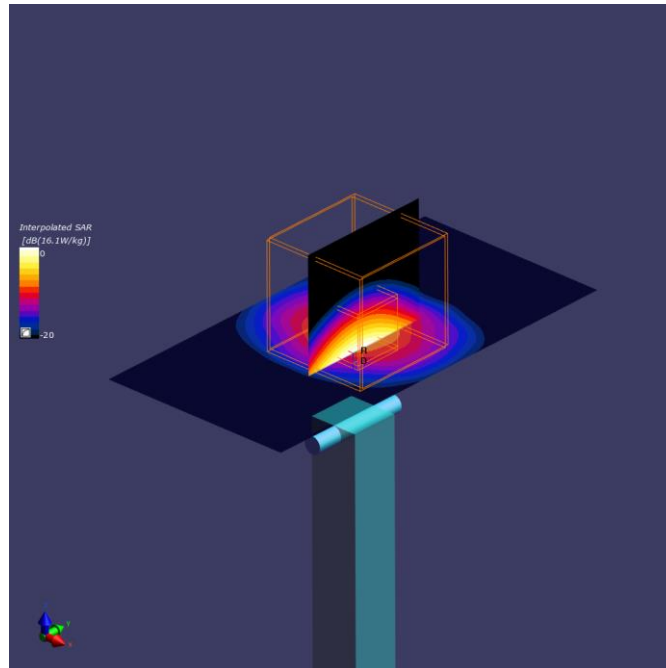
Phantom	TSL, Measured Date	Probe, Calibration Date	DAE, Calibration Date
ELI V8.0 (20deg probe tilt) - 2048	MBBL-600-6000 , 2020-Jul-20	EX3DV4 - SN3978, 2020-05-22	DAE4 Sn1429, 2020-05-14

Scan Setup

	Area Scan	Zoom Scan
Grid Extents [mm]	40.0 x 80.0	22.0 x 22.0 x 22.0
Grid Steps [mm]	10.0 x 10.0	4.0 x 4.0 x 1.4
Sensor Surface [mm]	3.0	1.4
Graded Grid	No	Yes
Grading Ratio	n/a	1.4
MAIA	Confirmed by MAIA	Confirmed by MAIA
Surface Detection	Yes	Yes
Scan Method	Measured	Measured

Measurement Results

	Area Scan	Zoom Scan
Date	2020-07-21, 19:01	2020-07-21, 19:08
psSAR1g [W/Kg]	2.64	3.98
psSAR10g [W/Kg]	0.771	1.15
Power Drift [dB]	-0.02	0.02
Power Scaling	Disabled	Disabled
Scaling Factor [dB]		
TSL Correction	Positive Only	Positive Only



11. System Check Body Liquid 5800.0MHz

Device under Test Properties

Name, Manufacturer	Dimensions [mm]	Serial Number	DUT Type
D5GHzV2 , SPEAG	50.0 x 10.0 x 16.0	1164	Validation Dipole

Exposure Conditions

Phantom Section, TSL	Position, Test Distance [mm]	Band	Group, UID	Frequency [MHz], Channel Number	Conversion Factor	TSL Conductivity [S/m]	TSL Permittivity
Flat MSL			,	5800.0, 0	3.81	6.40	45.1

Hardware Setup

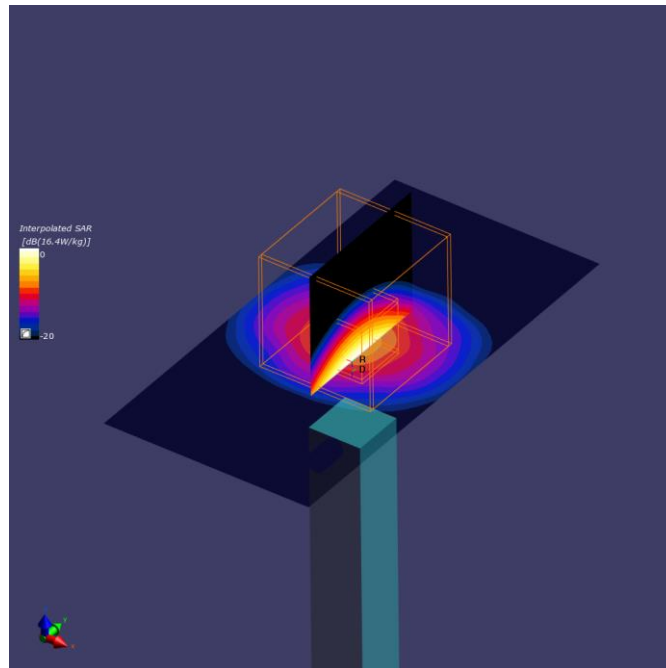
Phantom	TSL, Measured Date	Probe, Calibration Date	DAE, Calibration Date
ELI V8.0 (20deg probe tilt) - 2048	MBBL-600-6000 , 2020-Jul-20	EX3DV4 - SN3978, 2020-05-22	DAE4 Sn1429, 2020-05-14

Scan Setup

	Area Scan	Zoom Scan
Grid Extents [mm]	40.0 x 80.0	22.0 x 22.0 x 22.0
Grid Steps [mm]	10.0 x 10.0	4.0 x 4.0 x 1.4
Sensor Surface [mm]	3.0	1.4
Graded Grid	No	Yes
Grading Ratio	n/a	1.4
MAIA	Confirmed by MAIA	Confirmed by MAIA
Surface Detection	Yes	Yes
Scan Method	Measured	Measured

Measurement Results

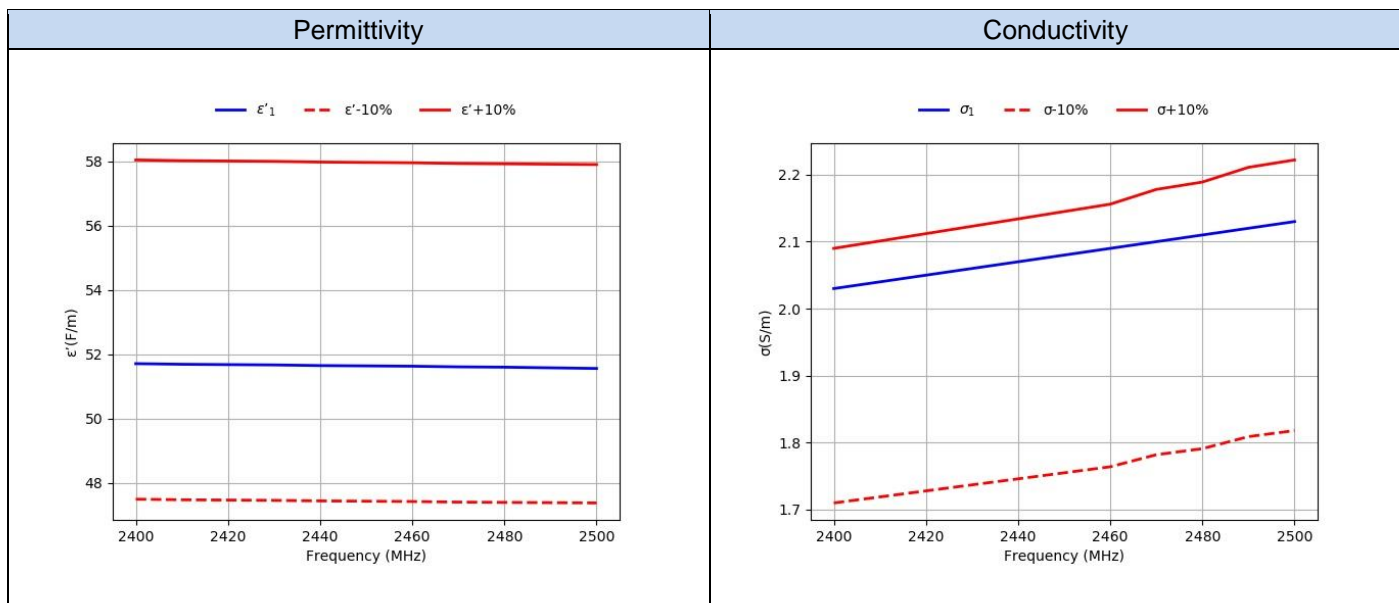
	Area Scan	Zoom Scan
Date	2020-07-21, 19:10	2020-07-21, 19:17
psSAR1g [W/Kg]	2.49	3.65
psSAR10g [W/Kg]	0.716	1.04
Power Drift [dB]	-0.01	-0.01
Power Scaling	Disabled	Disabled
Scaling Factor [dB]		
TSL Correction	Positive Only	Positive Only



Annex D. TSL Dielectric Parameters

D.1 Body DTS 2450MHz

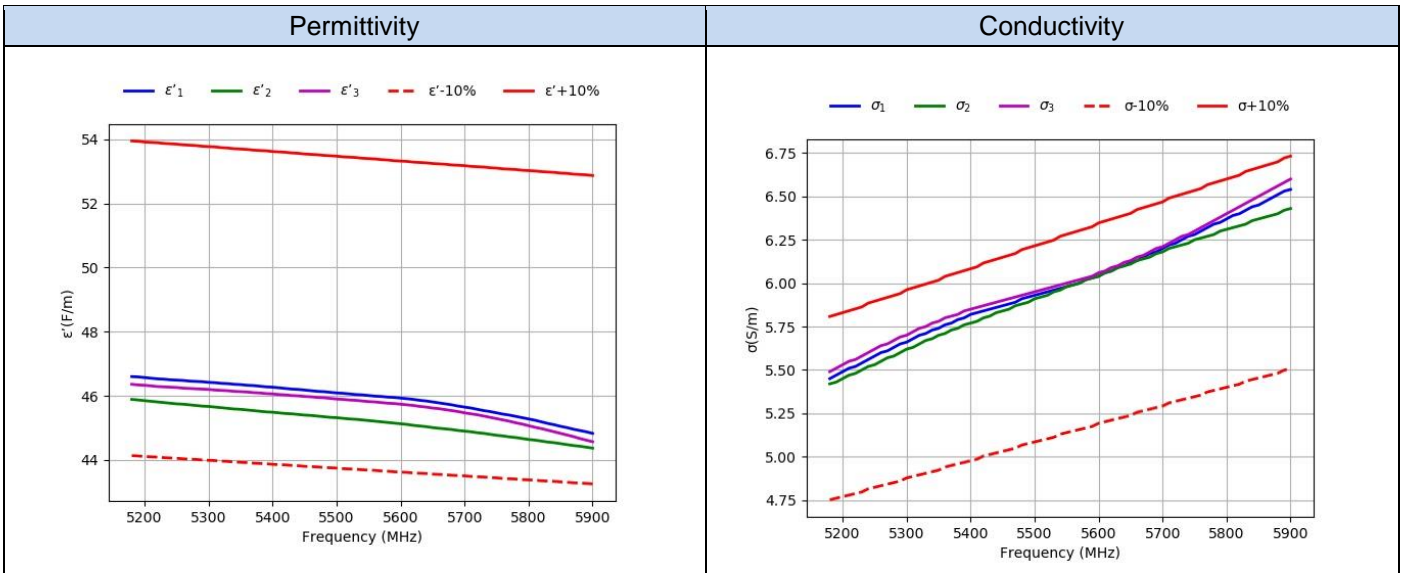
Freq.(MHz)	Target		Measured - 2020-07-20	
	ϵ' (F/m)	σ (S/m)	ϵ'_2 (F/m)	σ_2 (S/m)
2400.0	52.77	1.9	51.71	2.03
2410.0	52.75	1.91	51.69	2.04
2420.0	52.74	1.92	51.68	2.05
2430.0	52.73	1.93	51.67	2.06
2440.0	52.71	1.94	51.65	2.07
2450.0	52.7	1.95	51.64	2.08
2460.0	52.69	1.96	51.63	2.09
2470.0	52.67	1.98	51.61	2.1
2480.0	52.66	1.99	51.6	2.11
2490.0	52.65	2.01	51.58	2.12
2500.0	52.64	2.02	51.56	2.13






D.2 Body 5180MHz-5900MHz

Freq.(MHz)	Target		Measured – 2020-07-06		Measured – 2020-07-09		Measured – 2020-07-20	
	ϵ' (F/m)	σ (S/m)	ϵ'_1 (F/m)	σ_1 (S/m)	ϵ'_2 (F/m)	σ_2 (S/m)	ϵ'_3 (F/m)	σ_3 (S/m)
5180.0	49.04	5.28	46.6	5.45	45.89	5.42	46.36	5.49
5190.0	49.03	5.29	46.59	5.47	45.87	5.43	46.34	5.51
5200.0	49.01	5.3	46.57	5.49	45.85	5.45	46.33	5.53
5210.0	49.0	5.31	46.55	5.51	45.83	5.47	46.31	5.55
5220.0	48.99	5.32	46.53	5.52	45.81	5.48	46.29	5.56
5230.0	48.97	5.33	46.52	5.54	45.79	5.5	46.28	5.58
5240.0	48.96	5.35	46.5	5.56	45.77	5.52	46.27	5.6
5250.0	48.95	5.36	46.49	5.58	45.75	5.53	46.26	5.62
5260.0	48.93	5.37	46.48	5.6	45.74	5.55	46.24	5.64
5270.0	48.92	5.38	46.46	5.61	45.72	5.57	46.23	5.65
5280.0	48.91	5.39	46.45	5.63	45.7	5.58	46.22	5.67
5290.0	48.89	5.4	46.44	5.65	45.68	5.6	46.21	5.69
5300.0	48.88	5.42	46.42	5.66	45.67	5.62	46.2	5.7
5310.0	48.87	5.43	46.41	5.68	45.65	5.63	46.18	5.72
5320.0	48.85	5.44	46.39	5.7	45.63	5.65	46.17	5.74
5330.0	48.84	5.45	46.38	5.71	45.61	5.67	46.16	5.75
5340.0	48.82	5.46	46.36	5.73	45.59	5.68	46.14	5.77
5350.0	48.81	5.47	46.35	5.74	45.58	5.7	46.13	5.78
5360.0	48.8	5.49	46.33	5.76	45.56	5.71	46.12	5.8
5370.0	48.78	5.5	46.32	5.77	45.54	5.73	46.1	5.81
5380.0	48.77	5.51	46.3	5.79	45.52	5.74	46.09	5.82
5390.0	48.76	5.52	46.28	5.8	45.5	5.76	46.07	5.84
5400.0	48.74	5.53	46.27	5.82	45.49	5.77	46.06	5.85
5410.0	48.73	5.54	46.25	5.83	45.47	5.78	46.04	5.86
5420.0	48.72	5.56	46.23	5.84	45.45	5.8	46.03	5.87
5430.0	48.7	5.57	46.21	5.85	45.44	5.81	46.01	5.88
5440.0	48.69	5.58	46.2	5.86	45.42	5.83	46.0	5.89
5450.0	48.67	5.59	46.18	5.87	45.4	5.84	45.98	5.9
5460.0	48.66	5.6	46.16	5.88	45.39	5.85	45.97	5.91
5470.0	48.65	5.61	46.14	5.89	45.37	5.87	45.95	5.92
5480.0	48.63	5.63	46.13	5.91	45.35	5.88	45.94	5.93
5490.0	48.62	5.64	46.11	5.92	45.33	5.89	45.92	5.94
5500.0	48.61	5.65	46.09	5.93	45.32	5.91	45.9	5.95
5510.0	48.59	5.66	46.08	5.94	45.3	5.92	45.89	5.96
5520.0	48.58	5.67	46.06	5.95	45.28	5.93	45.87	5.97
5530.0	48.57	5.68	46.04	5.96	45.27	5.95	45.86	5.98
5540.0	48.55	5.7	46.03	5.97	45.25	5.96	45.84	5.99
5550.0	48.54	5.71	46.01	5.98	45.23	5.98	45.82	6.0
5560.0	48.53	5.72	45.99	5.99	45.21	5.99	45.81	6.01
5570.0	48.51	5.73	45.98	6.0	45.19	6.0	45.79	6.02
5580.0	48.5	5.74	45.96	6.02	45.17	6.02	45.77	6.03
5590.0	48.48	5.75	45.95	6.03	45.15	6.03	45.76	6.04
5600.0	48.47	5.77	45.93	6.04	45.13	6.04	45.74	6.06
5610.0	48.46	5.78	45.91	6.06	45.11	6.06	45.72	6.07
5620.0	48.44	5.79	45.89	6.07	45.08	6.07	45.7	6.09
5630.0	48.43	5.8	45.86	6.09	45.06	6.09	45.67	6.1
5640.0	48.42	5.81	45.84	6.1	45.04	6.1	45.65	6.12
5650.0	48.4	5.82	45.81	6.12	45.01	6.11	45.62	6.13
5660.0	48.39	5.84	45.78	6.13	44.99	6.13	45.6	6.15
5670.0	48.38	5.85	45.75	6.15	44.97	6.14	45.57	6.16
5680.0	48.36	5.86	45.72	6.17	44.95	6.15	45.54	6.18
5690.0	48.35	5.87	45.68	6.18	44.92	6.17	45.51	6.2
5700.0	48.34	5.88	45.65	6.2	44.9	6.18	45.47	6.21
5710.0	48.32	5.9	45.62	6.22	44.88	6.2	45.44	6.23
5720.0	48.31	5.91	45.58	6.23	44.85	6.21	45.41	6.25
5730.0	48.3	5.92	45.54	6.25	44.83	6.22	45.37	6.27
5740.0	48.28	5.93	45.51	6.27	44.8	6.23	45.33	6.28
5750.0	48.27	5.94	45.47	6.28	44.77	6.25	45.29	6.3
5760.0	48.25	5.95	45.43	6.3	44.75	6.26	45.25	6.32
5770.0	48.24	5.97	45.4	6.32	44.72	6.27	45.21	6.34
5780.0	48.23	5.98	45.36	6.34	44.7	6.28	45.16	6.36

5790.0	48.21	5.99	45.32	6.35	44.67	6.3	45.12	6.38
5800.0	48.2	6.0	45.28	6.37	44.64	6.31	45.07	6.4
5810.0	48.19	6.01	45.24	6.39	44.62	6.32	45.02	6.42
5820.0	48.17	6.02	45.19	6.4	44.59	6.33	44.98	6.44
5830.0	48.16	6.04	45.14	6.42	44.56	6.34	44.93	6.46
5840.0	48.15	6.05	45.1	6.44	44.54	6.36	44.88	6.48
5850.0	48.13	6.06	45.05	6.45	44.51	6.37	44.83	6.5
5860.0	48.12	6.07	45.01	6.47	44.48	6.38	44.78	6.52
5870.0	48.1	6.08	44.96	6.49	44.45	6.39	44.73	6.54
5880.0	48.09	6.09	44.92	6.51	44.43	6.4	44.67	6.56
5890.0	48.08	6.11	44.88	6.53	44.4	6.42	44.62	6.58
5900.0	48.06	6.12	44.83	6.54	44.37	6.43	44.57	6.6



Annex E. Calibration Certificates

ID	Device	Type/Model	Serial Number	Manufacturer	Calibration Certificate
0236	Dosimetric E-field Probe	EX3DV4	3978	SPEAG	
0239	2450MHz System Validation Dipole	D2450V2	937	SPEAG	
0124	5GHz System Validation Dipole	D5GHzV2	1164	SPEAG	

Dipole calibration

According to the KDB 865664 D01, a dipole must be calibrated using a fully validated SAR system according to the tissue dielectric parameters and SAR probe calibration frequency required for device testing. However, instead of the typical annual calibration recommended by measurement standards, longer calibration intervals of up to three years may be considered when it is demonstrated that the SAR target, impedance and return loss of a dipole have remain stable according to the following requirements.

1. When the most recent return-loss result, measured at least annually, deviates by more than 20% from the previous measurement (i.e. value in dB \times 0.2) or not meeting the required 20 dB minimum return-loss requirement.
2. When the most recent measurement of the real or imaginary parts of the impedance, measured at least annually, deviates by more than 5 Ω from the previous measurement

The below results show the latest return loss and impedance measurements for each dipole performed by the lab:

Dipole ID #0239			
Dipole 2450MHz Body TSL			
	Return Loss [dB]	Impedance [Ω]	Date
Initial Calibration	-29.7	50.85 + 3.20 j	2020-05-12
Dipole ID #0124			
Dipole 5200MHz Body TSL			
	Return Loss [dB]	Impedance [Ω]	Date
Initial Calibration	-31.7	49.8 – 2.6 j	2019-05-20
Last	-26.2	47.8 + 4.2 j	2020-05-28
Dipole 5300MHz Body TSL			
	Return Loss [dB]	Impedance [Ω]	Date
Initial Calibration	-40.1	50.3 + 1.0 j	2019-05-20
Last	-43.1	49.7 + 0.6 j	2020-05-28
Dipole 5500MHz Body TSL			
	Return Loss [dB]	Impedance [Ω]	Date
Initial Calibration	-31.4	48.2 + 2.0 j	2019-05-20
Last	-24.9	49.5 + 5.6 j	2020-05-28
Dipole 5600MHz Body TSL			
	Return Loss [dB]	Impedance [Ω]	Date
Initial Calibration	-27.3	53.3 + 3.0 j	2019-05-20
Last	-28.5	52.9 - 2.5 j	2020-05-28
Dipole 5800MHz Body TSL			
	Return Loss [dB]	Impedance [Ω]	Date
Initial Calibration	-24.2	53.2 + 5.5 j	2019-05-20
Last	-21.4	48.3 + 6.2 j	2020-05-28