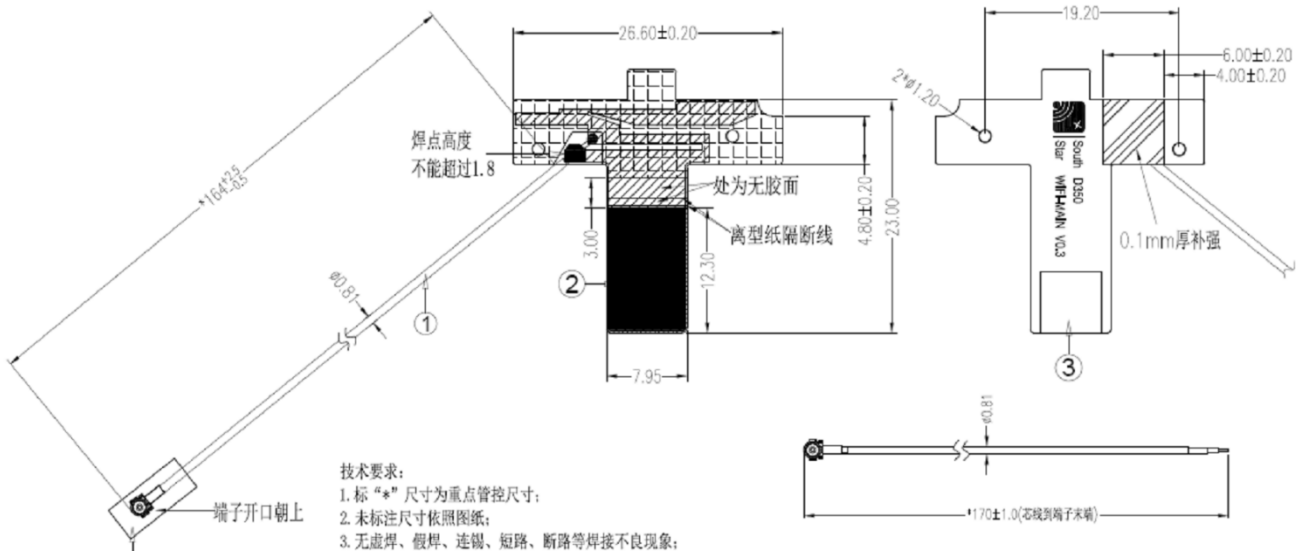


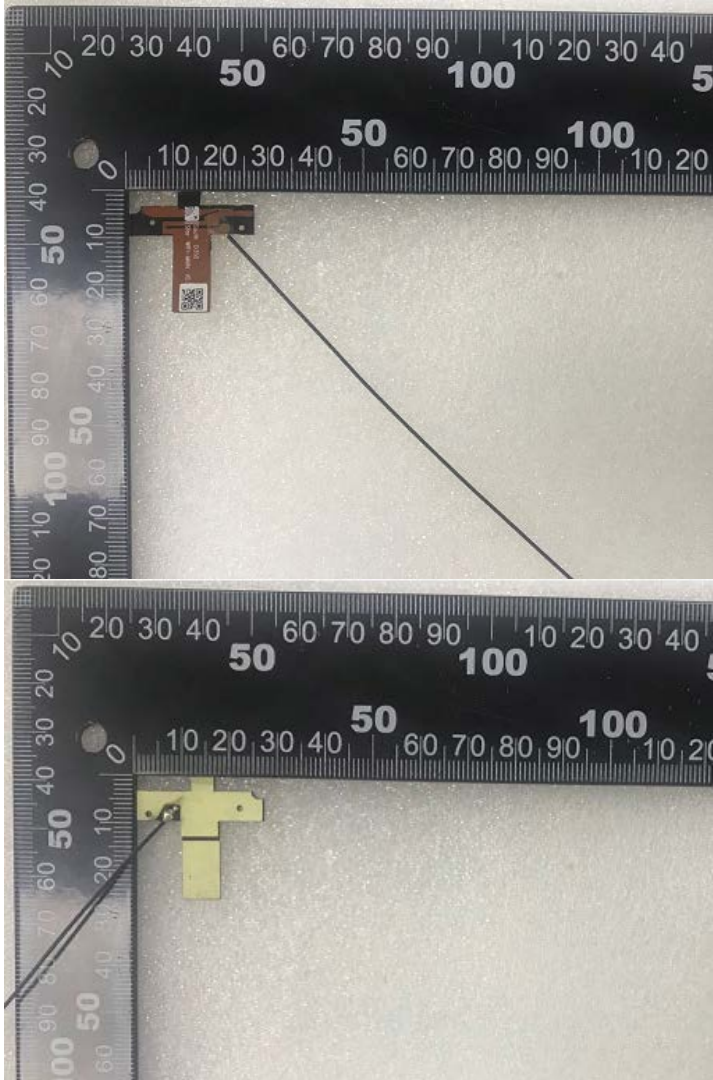
Section 2. Dimensioned Photos or Drawings of Antennas

Include a dimensioned photo and dimensioned drawing of Main antenna here.

Main Antenna Dimensioned Drawing:



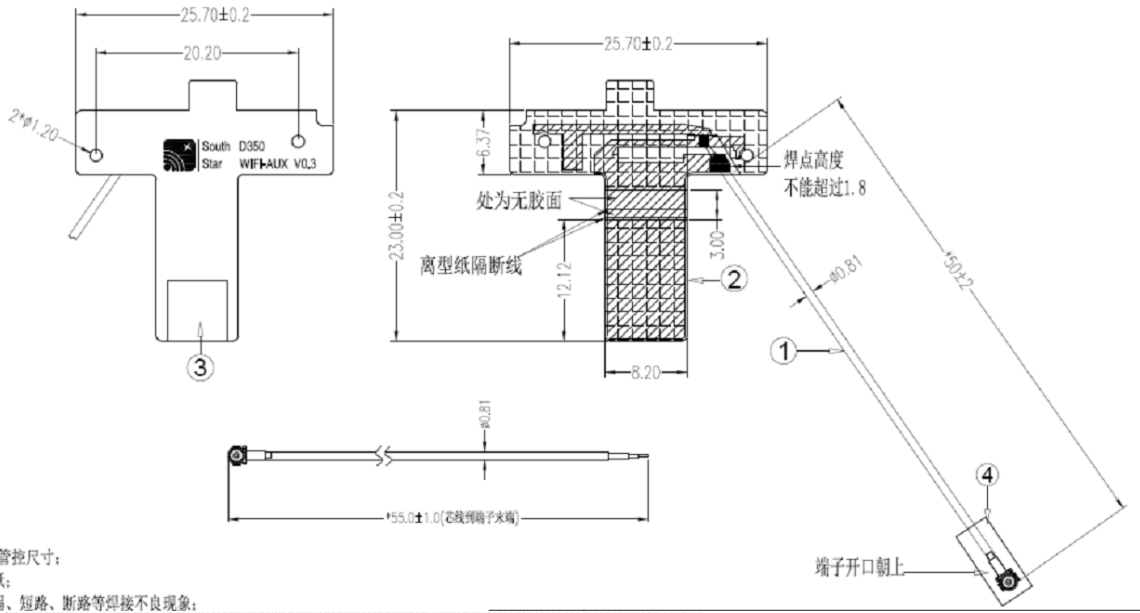
Main Antenna Photo:



Include a dimensioned photo and dimensioned drawing of AUX antenna here.

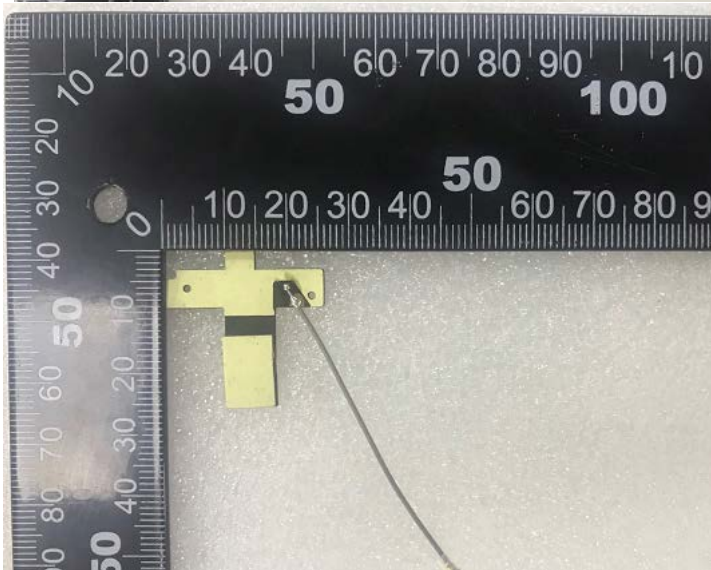
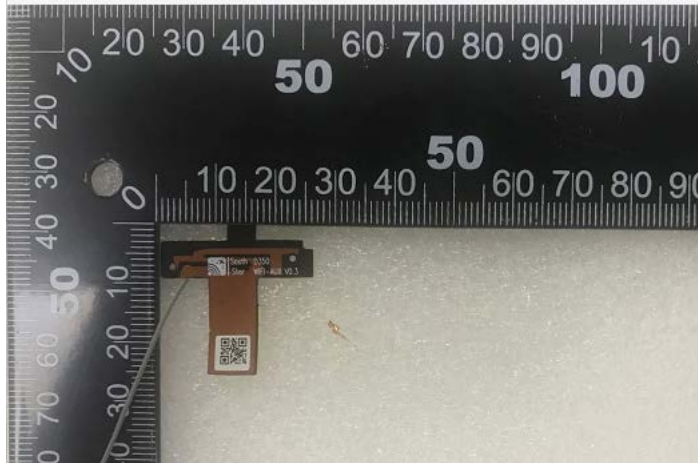
AUX Antenna Dimensioned Drawing:

AUX Antenna Photo:



技术要求:

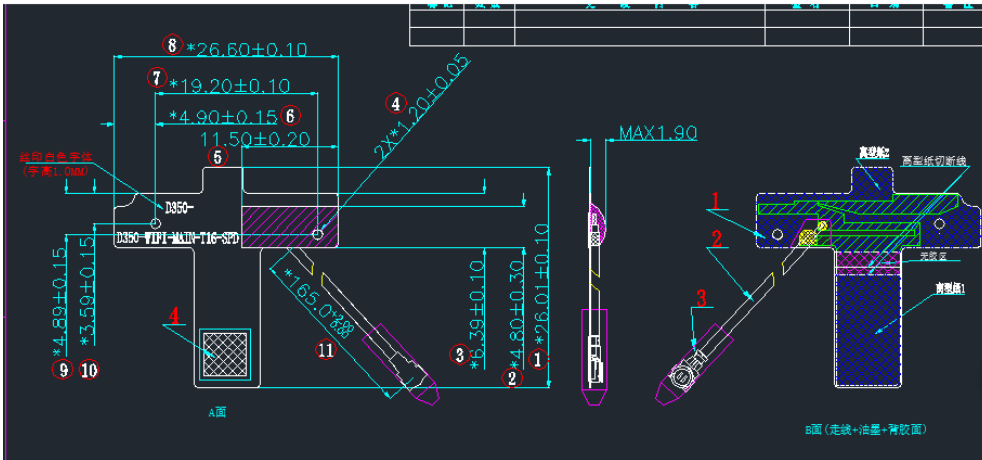
1. 标“*”尺寸为重点管控尺寸;
2. 未标注尺寸依照图纸;
3. 无虚焊、假焊、连锡、短路、断路等焊接不良现象;



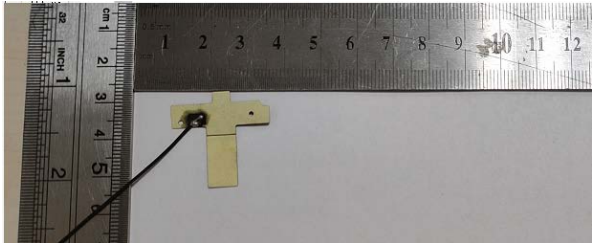
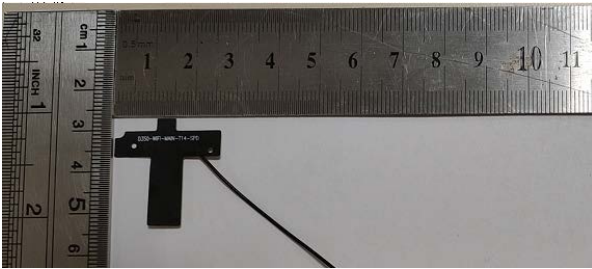
Section 2. Dimensioned Photos or Drawings of Antennas

Include a dimensioned photo and dimensioned drawing of Main antenna here.

Main Antenna Dimensioned Drawing:

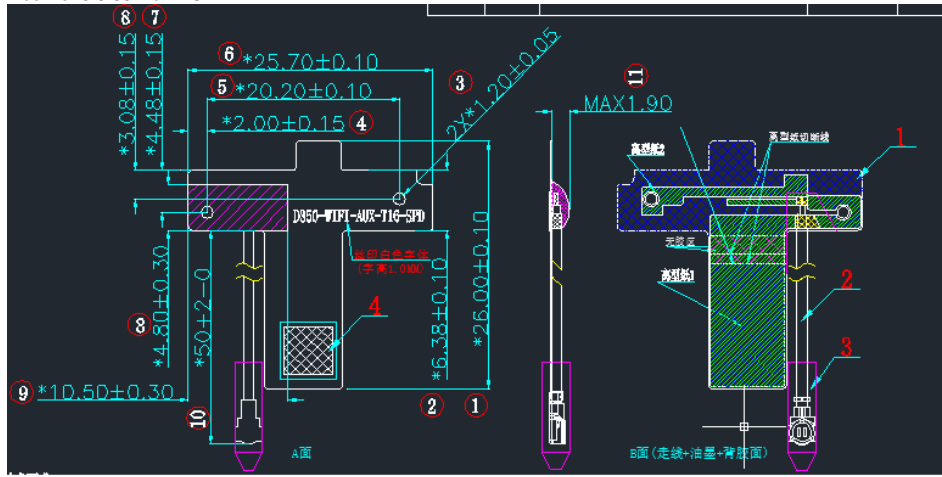


Main Antenna Photo:

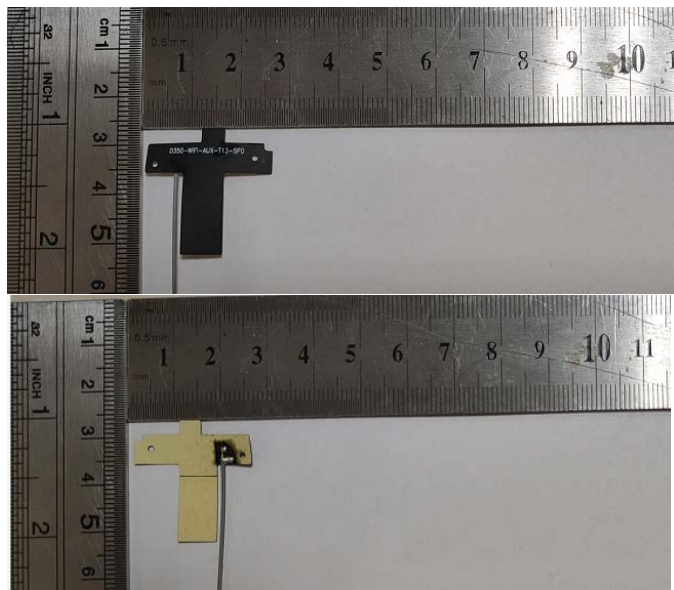


Include a dimensioned photo and dimensioned drawing of AUX antenna here.

AUX Antenna Dimensioned Drawing:

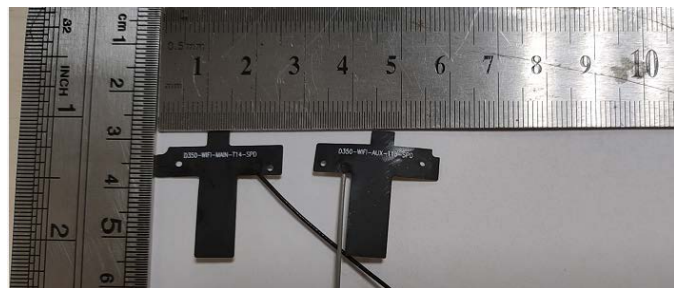


AUX Antenna Photo:



Include front view photo of all 2 antennas here.

Antenna Manufacturer: SPEED
Antenna Part Number: D350-WIFI-MAIN-T14-SPD , D350-WIFI-AUX-T13-SPD.



Include back view photo of all 2 antennas here.

Antenna Manufacturer: SPEED
Antenna Part Number: D350-WIFI-MAIN-T14-SPD , D350-WIFI-AUX-T13-SPD.