

Nile Global Inc.

Outdoor Wireless AP

NWA1050

Product Specification

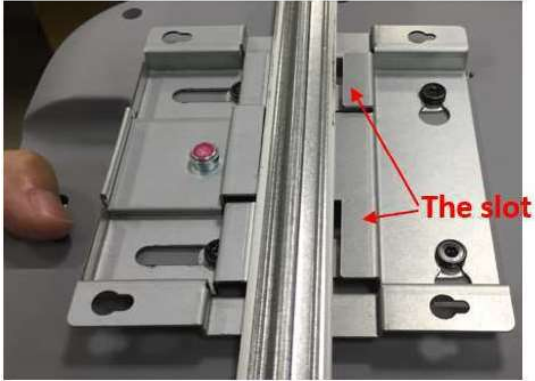
Product dimensions	245mm x 245mm x 50mm (exclude universal mounting kit)
Product weights	1.75kg
Radio frequency	One Wi-Fi 2.4GHz One Wi-Fi 5GHz One Wi-Fi 2.4/5GHz(scanning) One Bluetooth 2.4GHz
Operation frequency	
2.4GHz	2412 ~ 2462MHz
5GHz	5180 ~ 5850MHz
Bluetooth low energy(V4.1)	2402 ~ 2480MHz
Networking interface	1x5G mGig Ethernet port
Max power consumption	35watts
Max Tx Power	Wi-Fi 2.4GHz band: 21dBm(per chain) Wi-Fi 5GHz band: 21dBm(per chain) BLE: 7dBm
MTBF	356,126 hours
Power source	Power over Ethernet(PoE): 802.3bt
Mounting mode	Wall/Ceiling/Pole
Operation temperature	-40~+65° C
Operation humidity	5 – 95% Noncondensing
Altitude	10,000ft (3,048m)

Nile Global Inc.

Installation Guide

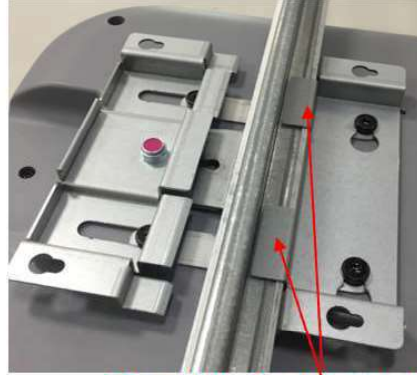
Installation of ceiling plate + AP on T-bar (9/16" & 15/16") → Please update accordingly

Step1. Align T-bar with ceiling plate



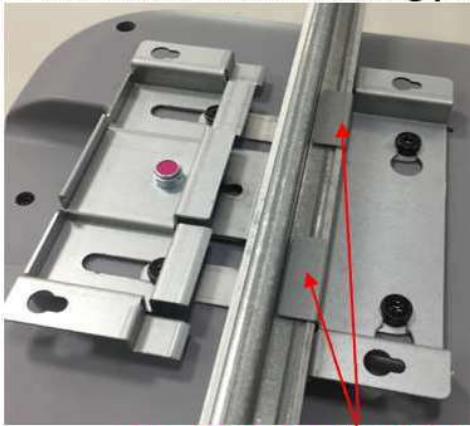
Note: The picture is for reference

Step2. Slide ceiling plate/ AP together until T-bar under slots of ceiling plate.



The slot of ceiling plate.

Step2. Slide ceiling plate/ AP together until T-bar under slots of ceiling plate.

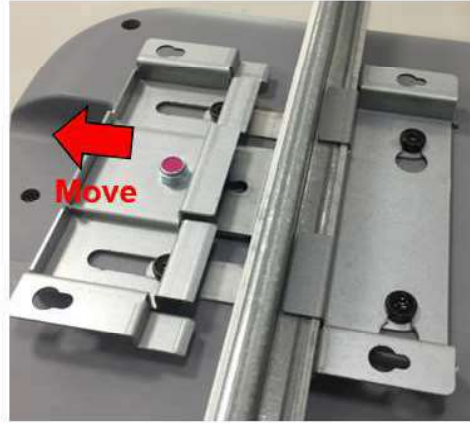
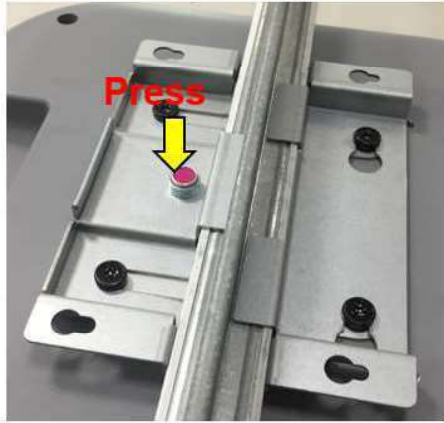


The slot of ceiling plate.

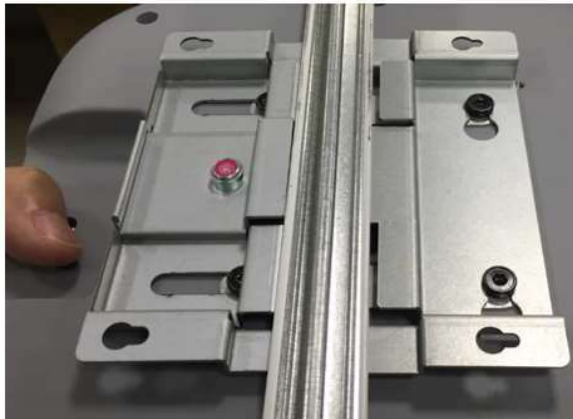
Nile Global Inc.

Uninstallation of ceiling plate + AP from T-bar (9/16" & 15/16") → please update accordingly

Step1. Press the lock plunger and move bracket B left to unlock it.



Step2. Slide ceiling plate/ AP together from slots of ceiling plate.



Nile Global Inc.

Installation of RJ45 cable on ceiling plate

Step1. plug cable into RJ45 of AP.



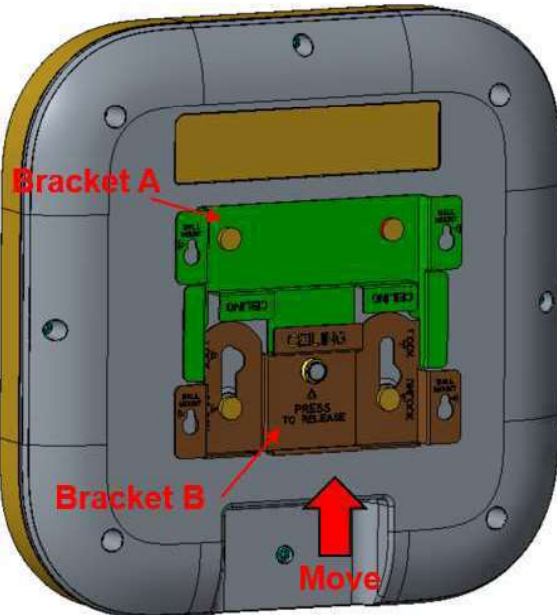
Step2. put cable into cable slot of ceiling plate.



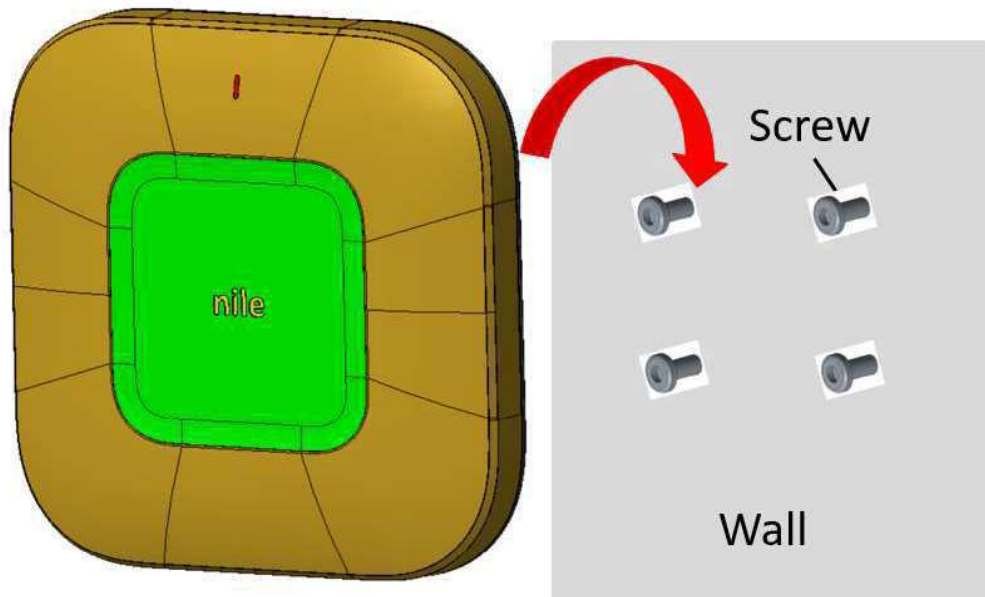
Nile Global Inc.

Installation of ceiling plate + AP on wall mount

Step1. Move bracket B to lock it with bracket A



Step2. Hang the product/ceiling plate together on the wall.



Nile Global Inc.

Regulatory Compliance Information:

Safety Notice

- . Please use CSA/UL Certification Approval & LPS's External Power Adaptor.
- . Please connect with CSA/UL Certification Approval & LPS's DC Source.
- . NWA1050 is outdoor use Wireless AP.
- . There is a risk of fire if the battery is replaced with an incorrect type.

Professional installation instruction

1. Installation personal

This product is designed for specific application and needs to be installed by a qualified personal who has RF and related rule knowledge. The general user shall not attempt to install or change the setting.

2. Installation location

The product shall be installed at a location where the radiating antenna can be kept **20cm** from nearby person in normal operation condition to meet regulatory RF exposure requirement.

3. External antenna

Use only the antennas which have been approved by the applicant. The non-approved antenna(s) may produce unwanted spurious or excessive RF transmitting power which may lead to the violation of FCC limit and is prohibited.

4. Installation procedure

Please refer to user's manual for the detail.

5. Warning

Please carefully select the installation position and make sure that the final output power does not exceed the limit set force in relevant rules. The violation of the rule could lead to serious federal penalty.

Federal Communication Commission Interference Statement

This device complies with Part 15 of the FCC Rules. Operation is subject to the following two conditions: (1) This device may not cause harmful interference, and (2) this device must accept any interference received, including interference that may cause undesired operation.

This equipment has been tested and found to comply with the limits for a Class B digital device, pursuant to Part 15 of the FCC Rules. These limits are designed to provide reasonable protection against harmful interference in a residential installation. This equipment generates, uses and can radiate radio frequency energy and, if not installed and used in accordance with the instructions, may cause harmful interference to radio communications. However, there is no guarantee that interference will not occur in a particular installation. If this equipment does cause harmful interference to radio or television reception, which can be determined by turning the equipment off and on, the user is encouraged to try to correct the interference by one of the following measures:

- Reorient or relocate the receiving antenna.
- Increase the separation between the equipment and receiver.
- Connect the equipment into an outlet on a circuit different from that to which the receiver is connected.
- Consult the dealer or an experienced radio/TV technician for help.

FCC Caution: Any changes or modifications not expressly approved by the party responsible for compliance could void the user's authority to operate this equipment.

This transmitter must not be co-located or operating in conjunction with any other antenna or transmitter.

This device meets all the other requirements specified in Part 15E, Section 15.407 of the FCC Rules.

FOR MOBILE DEVICE USAGE (>20cm/low power)

Radiation Exposure Statement:

This equipment complies with FCC radiation exposure limits set forth for an uncontrolled environment. This equipment should be installed and operated with minimum distance **20cm** between the radiator & your body.

Industry Canada statement:

This device complies with ISED's licence-exempt RSSs. Operation is subject to the following two conditions: (1) This device may not cause harmful interference, and (2) this device must accept any interference received, including interference that may cause undesired operation.

Le présent appareil est conforme aux CNR d'ISED applicables aux appareils radio exempts de licence. L'exploitation est autorisée aux deux conditions suivantes : (1) le dispositif ne doit pas produire de brouillage préjudiciable, et (2) ce dispositif doit accepter tout brouillage reçu, y compris un brouillage susceptible de provoquer un fonctionnement indésirable.

Caution :

(iii) for devices with detachable antenna(s), the maximum antenna gain permitted for devices in the band 5725-5850 MHz shall be such that the equipment still complies with the e.i.r.p. limits as appropriate; **(detachable antenna only)**

Avertissement:

(iii) pour les dispositifs munis d'antennes amovibles, le gain maximal d'antenne permis (pour les dispositifs utilisant la bande de 5 725 à 5 850 MHz) doit être conforme à la limite de la p.i.r.e. spécifiée, selon le cas; **(detachable antenna only)**

FOR MOBILE DEVICE USAGE (>20cm/low power)

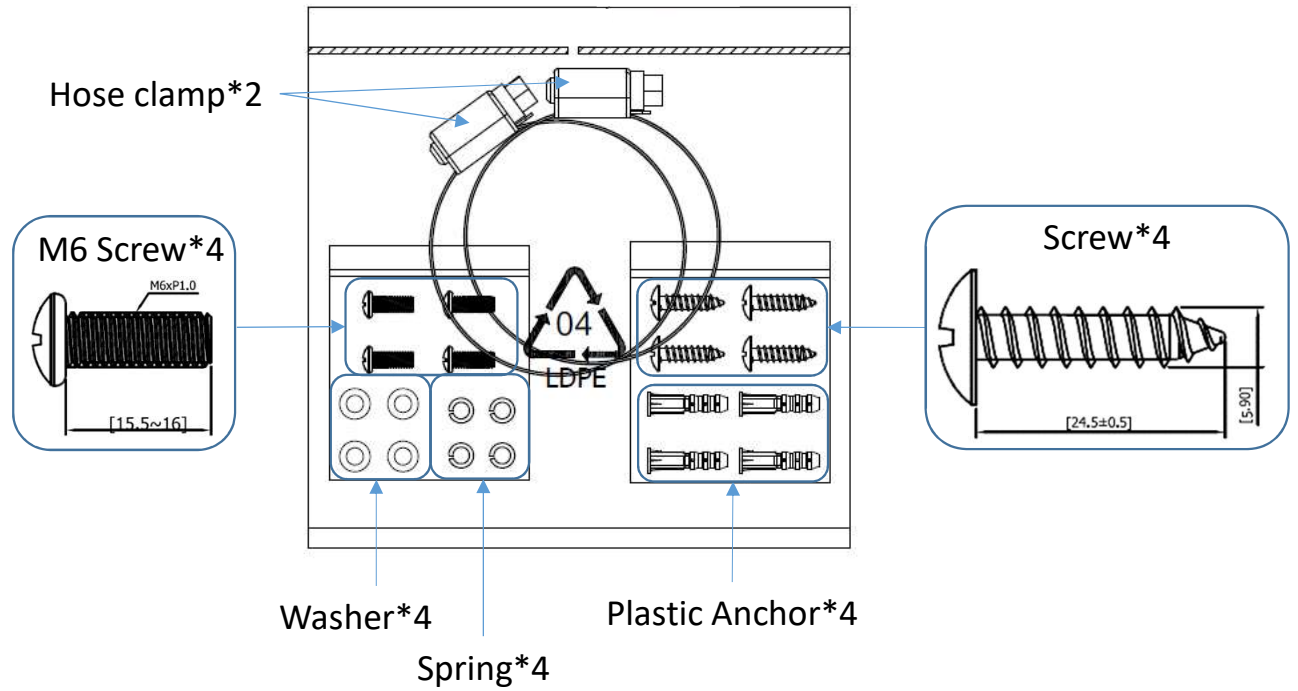
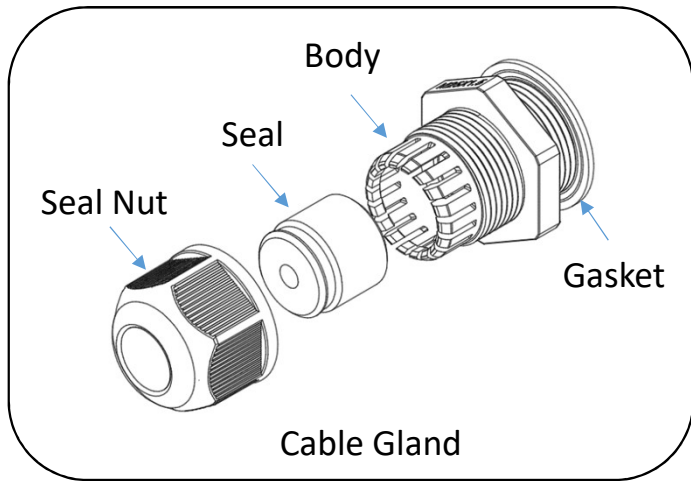
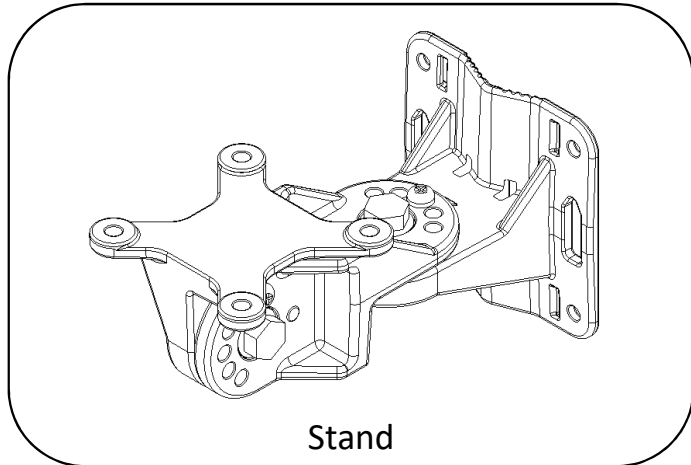
Radiation Exposure Statement:

This equipment complies with ISED radiation exposure limits set forth for an uncontrolled environment. This equipment should be installed and operated with greater than **20 cm** between the radiator & your body.

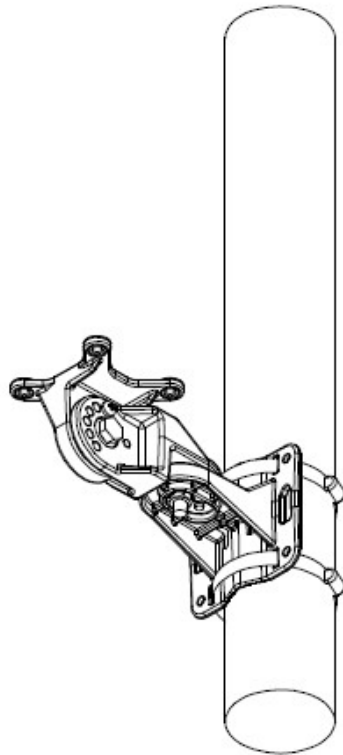
Déclaration d'exposition aux radiations:

Cet équipement est conforme aux limites d'exposition aux rayonnements ISED établies pour un environnement non contrôlé. Cet équipement doit être installé et utilisé à plus de **20 cm** entre le radiateur et votre corps.

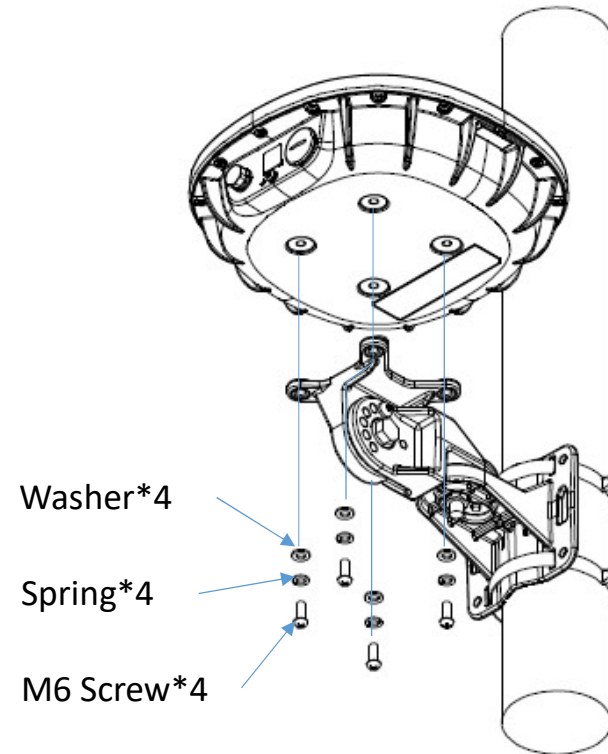
Accessory List



Pole Mount Process

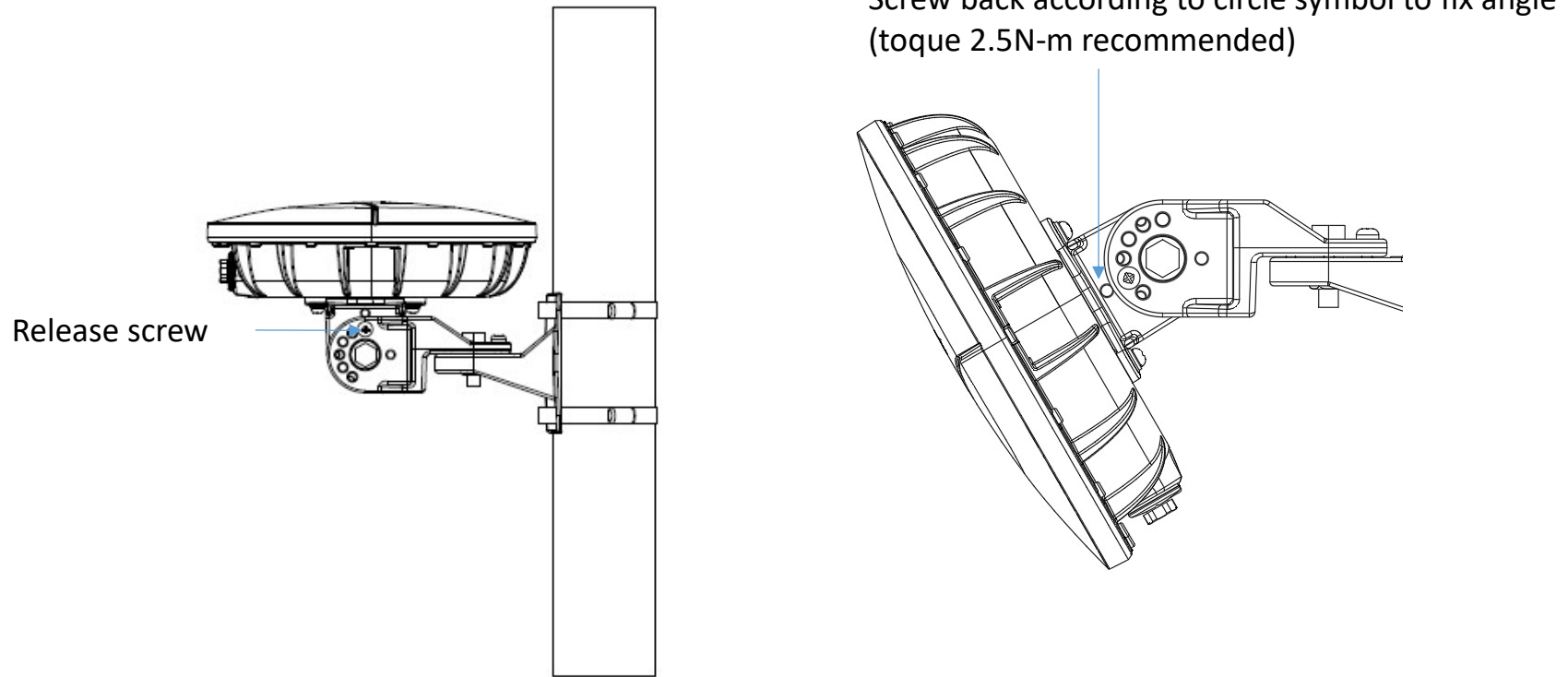


Step1. Pass the hose clamps through the slots on the stand, attach the stand to the pole and tighten the clamp using a screw driver to twist its screw head



Step 2. Put Cairo on the stand. Fix Cairo with M6 screw, spring & washer (toque 2.5N-m recommended)

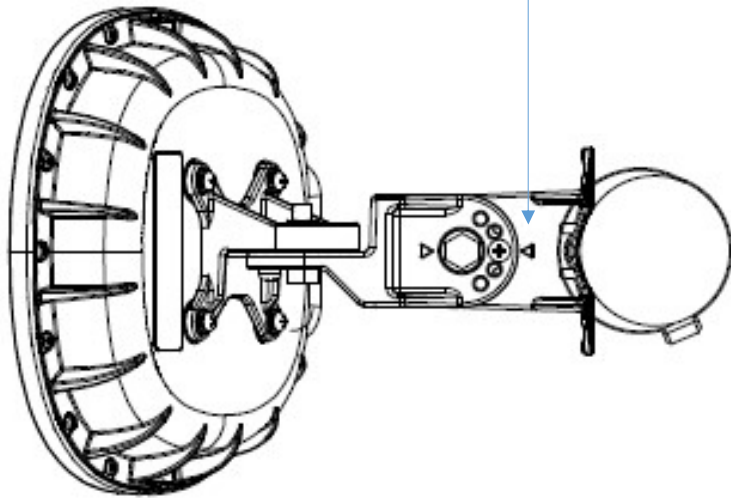
Pole Mount Process



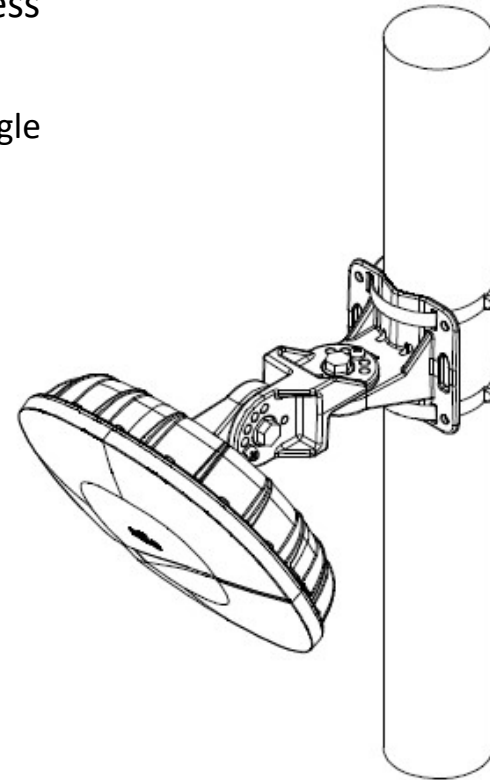
Step 3. Release screw , adjust vertical angle and screw it back

Pole Mount Process

Screw back according to triangle symbol to fix angle
(torque 2.5N-m recommended)

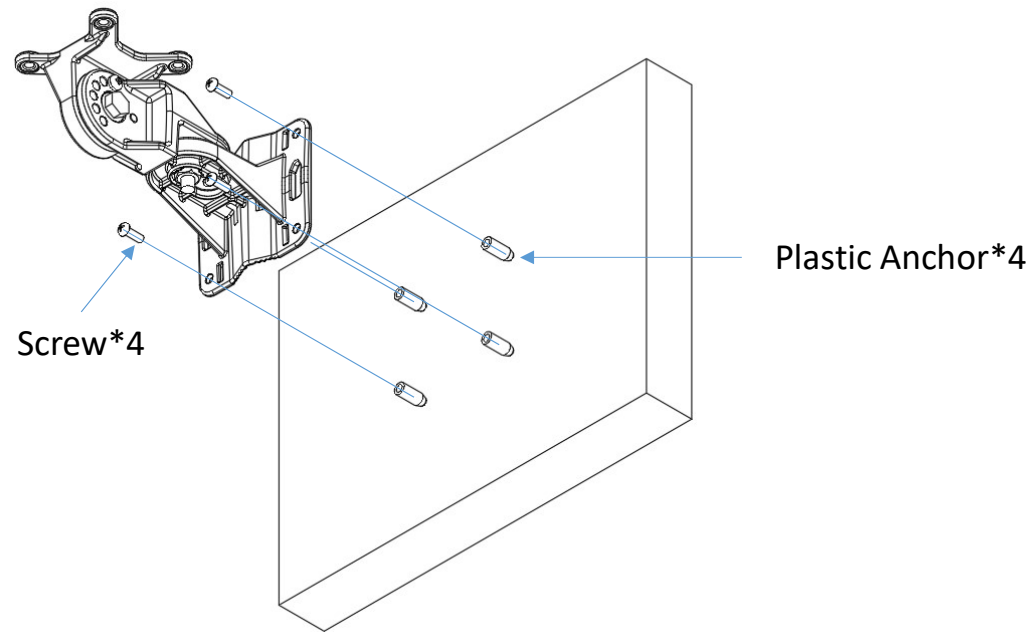


Step 4. Release screw ,adjust horizontal angle
and screw it back



Step 5. Re-secure M10 bolt (torque
12N-m recommended)

Wall Mount Process



Step1. Use screws and plastic anchors to fix stand to the wall and repeat step 2 to step 5 in the pole mount process.

Cable Gland Assembly Process

