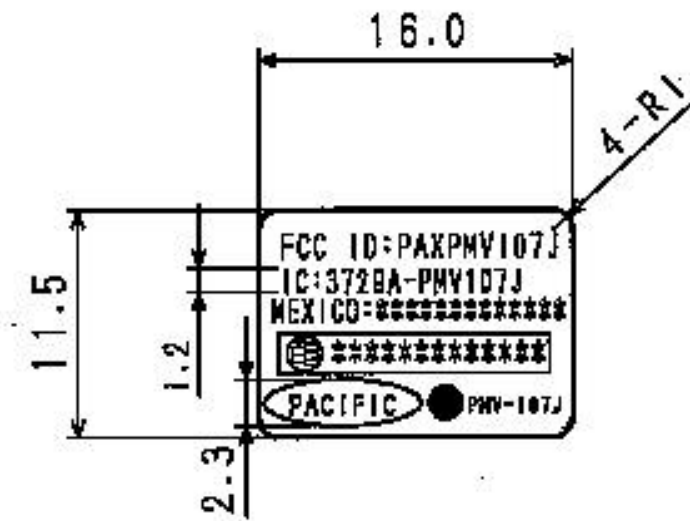


PART NAME: SEAL

SCALE: 2/1

TOLERANCE: ± 0.2



5. Marking location and layout

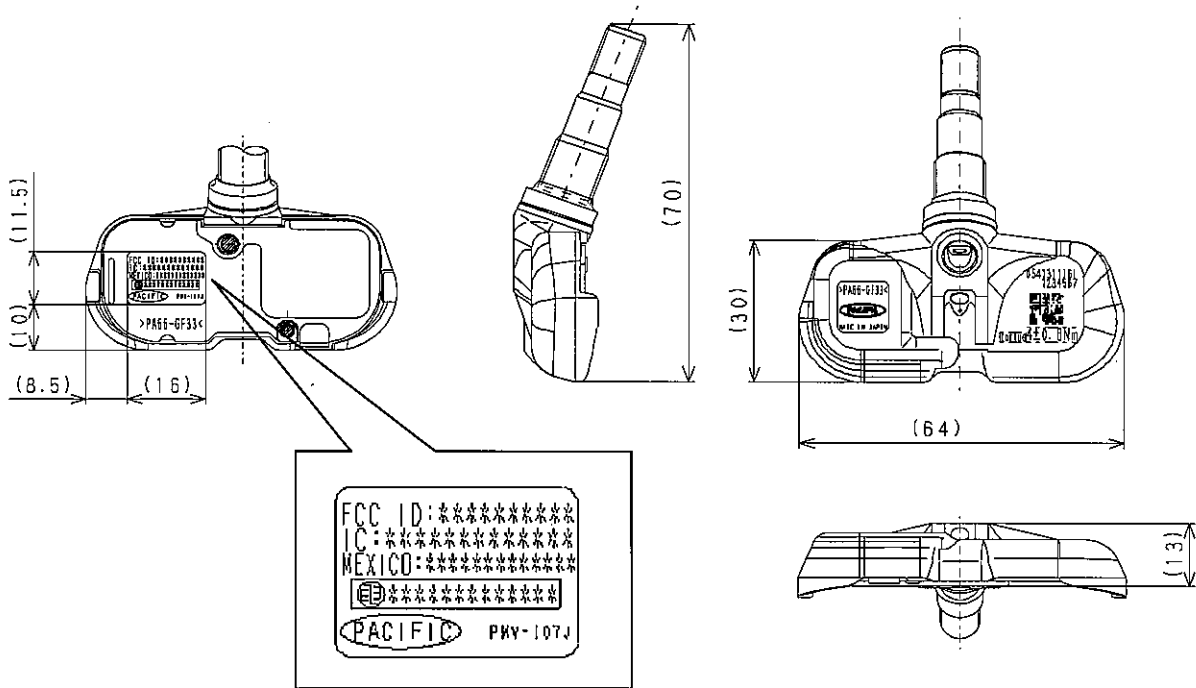


Fig 5. Marking location and dimension

Notes: Compliance statement of marking will not be changed.
But marking layout and size may be changed.