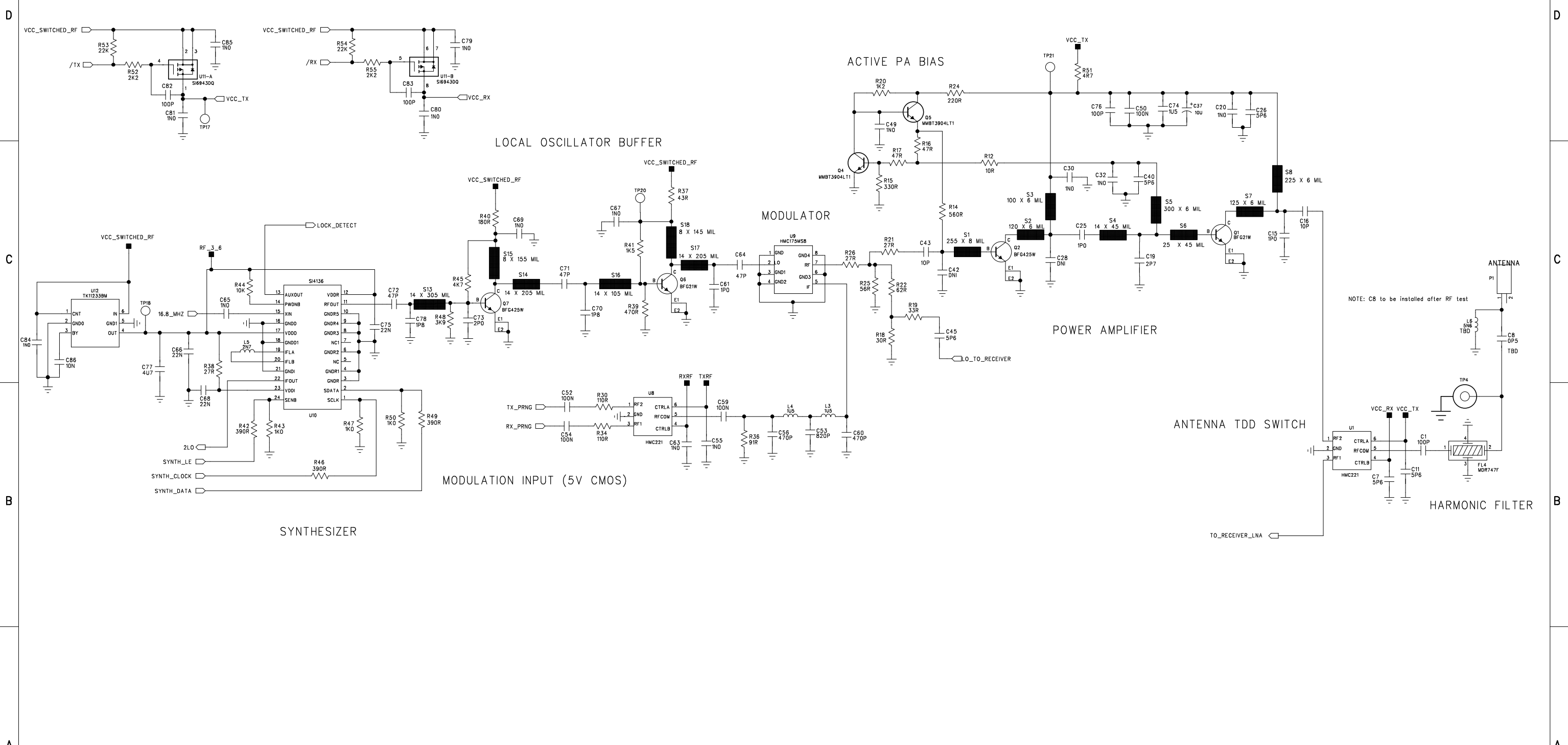


REVISION RECORD					
REV	ECN NO.	DESCRIPTION	BY	CHK	DATE
?????	ECN-?????	??????	???	???	??,??,??



NOTE: C8 to be installed after RF test

RESTRICTION NOTICE		STEPHEN MAKK & ASSOCIATES, INC.			
THIS DRAWING/DOCUMENT CONTAINS INFORMATION WHICH IS PROPRIETARY TO AND IS THE PROPERTY OF SMA, INC. AND MAY NOT BE USED, REPRODUCED OR DISCLOSED IN ANY MANNER WITHOUT EXPRESS WRITTEN PERMISSION FROM STEPHEN MAKK & ASSOCIATES, INC.		TITLE: SIGNAL GOLF YARD DOG TRANSMITTER CIRCUIT SCHEMATIC DIAGRAM			
DRAWN: Pat De Loe	DATED: 02.02.07	CODE: SC	SIZE: D	DRAWING NO: 050407-9E	REV: 00
CHECKED: Pat De Loe	DATED: 02.02.07				
RELEASED: Pat De Loe	DATED: 02.02.07				
					SHEET: 1 OF 1