

Host Label



M/N SC-5421

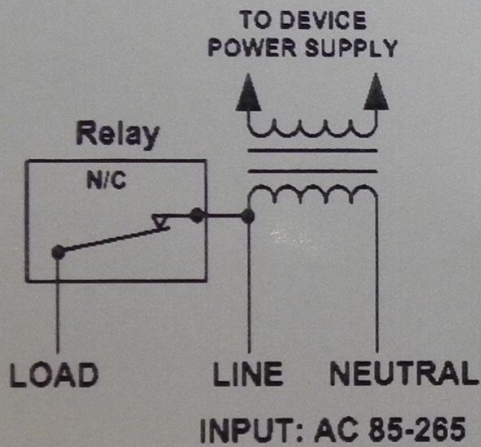


5 0 0 0 0 5 5

0517



CONTAINS:
FCC ID: OZFC5420B
IC: 3689A-SC5420B



This device complies with part 15 of the FCC Rules. Operation is subject to the following two conditions: (1) This device may not cause harmful interference, and (2) this device must accept any interference received, including interference that may cause undesired operation.

← **INSTALL- REMOVE** →

Corporate Systems Engineering, Indianapolis, Indiana, U.S.A.

MODEL:ABAAA00-0914-1