



VH808 User-Manual



Content

Product Profile	1
Product Features	1
Specifications and Configurations	2
Appearance	3
Keyboard Diagram	5
Notes	6
Packing List	7

Product Profile

VH808 is a handset wireless payment terminal equipped with built-in PINPAD. It possesses a fashionable appearance and a wide range of configurations. Transactions with mag-stripe cards, smart cards and contactless IC cards are all supported. VH808 communication connectivity includes GPRS, which can hugely expand the application methods and circumstances. Completely designed to be water-proof, shock-proof and slip-free, the device is particularly utilized in identity authentication, security certification, fast payment of smart cards and mag-stripe cards for bank and third-party payment industries.

Product Features

Certification:	
1. GPRS, PaymentPassive;	
2. EW/PP0C, Electronic-Cash, Network Access License for UnionPay Terminal, Security Specification on PIN Entry and POS;	
3. Production License, PRC Ministry of Housing and Urban-Rural Development (City Card), Network Access License for Telecommunications Equipment;	
4. CCC, RoHS, FCC, CE;	
Parameter Programming	Multiple Banks Sharing
Multiple Applications	Foreign Cards Acceptance

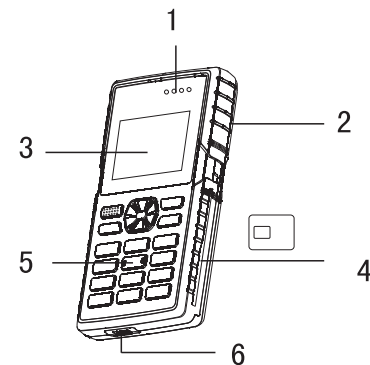
Specifications and Configurations

Items	Specifications
CPU	SC8530, 208MHz
Memory	16MB FLASH, 8MB SDRAM
Display	TFT-LCD, 2 inch, resolution 176 * 220
Keypad	22 keys, including 10 alphanumeric and 1 power keys
Magnetic Stripe Card	Track 1/2/3, Bidirectional, ISO7811
Smart Card	1 slot, EMV4.2
PSAM	1 slot, ISO7816
Memory Card	1 slot, T-Flash Card
Contactless IC Card	13.56 MHz, Type A&B card, 14443, Mifare, QPBOC
Wireless Communication	GPRS (GSM850/900/1800/1900)
Language	Chinese Simplified/Traditional, English
Battery	3.7V, 2000mAh rechargeable Li-ion Battery
Indicator	4 LED Indicators
Illuminator	1 High Brightness LED Light
Port	1 mini USB B type (Built in USB port, Serial Port, Charger Port, Audio Transmission Port)
Output	DC5.0V, 350mA
Charger	Input: AC100-240V, 50Hz/60Hz, 0.2A Output: DC5.0V, 1.0A
Working Temperature	0°C ~ 50°C
Environment Relative Humidity	10% ~ 90% (Non-condensable)

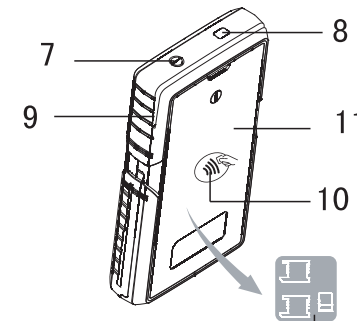
Specifications and Configurations

Storage Temperature:	-20°C~70°C
Environment Relative Humidity:	5%~95% (Non-condensable)
Dimension:	118(L) * 59.5(W) * 19.5(H)
Weight:	160g (with battery)
Others:	water-proof, shock-proof, slip-free

Appearance



Appearance



- Indicator
- Protection Rubber
- LOD Display
- Smart card slot, chip upward
- Keypad
- Cable Port
- Power Key
- Flash Light
- Mag-stripe Card Slot
- Battery Cover
- Contactless IC Card Induction Zone
- SIM card, 1 PSAM card and 1 T-Flash card

Keypad Diagram



- "*": for switching to calculator function (press and hold this key to turn on the Flash Light)
- Navigation Keys: to select menu and calculator function
- [Func]: Shortcut for Contactless Payment Terminal application
- [Func]: Func-Function Special functions under different modes
- [Cancel]: Press this key to cancel the operation and return to a previous interface
- [Enter]: to confirm a current operation.

Notes

Mag-stripe Cards:

- When swiping cards, make sure the magnetic stripes pass through the slot facing inward against the device;
- Bidirectional swiping
- When swiping cards, keep steady and at a constant speed

Other Notes:

- At times of mal-function, please contact professional maintenance personnel or local distributors, and please do not repair by yourself;
- Do not insert foreign objects into the port, or the device would be damaged;
- Please avoid exposure to the sun, high temperature, moist or dust;
- Keep away from liquid;
- During transactions with smart cards, please do not insert or pull smart cards;

Packing List

Description	Serial No.	Quantity
Host		1
Battery		1
Charger		1
Cable		1
Product Manual		1
Qualified Certificate		1
Warranty Card		1
Lanyard		1

(Please check if all the above mentioned items are contained in the package. If any thing is found missing or damaged, please contact the distributor).

FCC Caution

Any Changes or modifications not expressly approved by the party responsible for compliance could void the user's authority to operate the equipment. This device complies with part 15 of the FCC Rules. Operation is subject to the following two conditions: (1) This device may not cause harmful interference, and (2) this device must accept any interference received, including interference that may cause undesired operation.

Note: This equipment has been tested and found to comply with the limits for a Class B digital device, pursuant to part 15 of the FCC Rules. These limits are designed to provide reasonable protection against harmful interference in a residential installation. This equipment generates uses and can radiate radio frequency energy and, if not installed and used in accordance with the instructions, may cause harmful interference to radio communications. However, there is no guarantee that interference will not occur in a particular installation. If this equipment does cause harmful interference to radio or television reception, which can be determined by turning the equipment off and on, the user is encouraged to try to correct the interference by one or more of the following measures:

- Reorient or relocate the receiving antenna.
- Increase the separation between the equipment and receiver.
- Connect the equipment into an outlet on a circuit different from that to which the receiver is connected.

—Consult the dealer or an experienced radio/TV technician for help. SAR tests are conducted using standard operating positions accepted by the FCC with the terminal transmitting at its highest certified power level in all tested frequency bands, although the SAR is determined at the highest certified power level, the actual SAR level of the terminal while operating can be well below the maximum value. In general, the closer you are to a wireless base station antenna, the lower the power output.

Before a new model terminal is available for sale to the public, it must be tested and certified to the FCC that it does not exceed the exposure limit established by the FCC. Tests for each terminal are performed in positions and locations (e.g. at the ear and worn on the body) as required by the FCC.

For body worn operation, this model terminal has been tested and meets the FCC RF exposure guidelines when used with an accessory designated for this product or when used with an accessory that

Non-compliance with the above restrictions may result in violation of RF exposure guidelines.

Vanstone Electronic(Beijing) Co., Ltd
Add: Room 4-18, No.25 Landianchang South Road,
Haidian District, Beijing, China
Web: www.vanstone.com.cn
P. O: 100097
Tel: +86-10-88400299
Fax: +86-10-88400240