

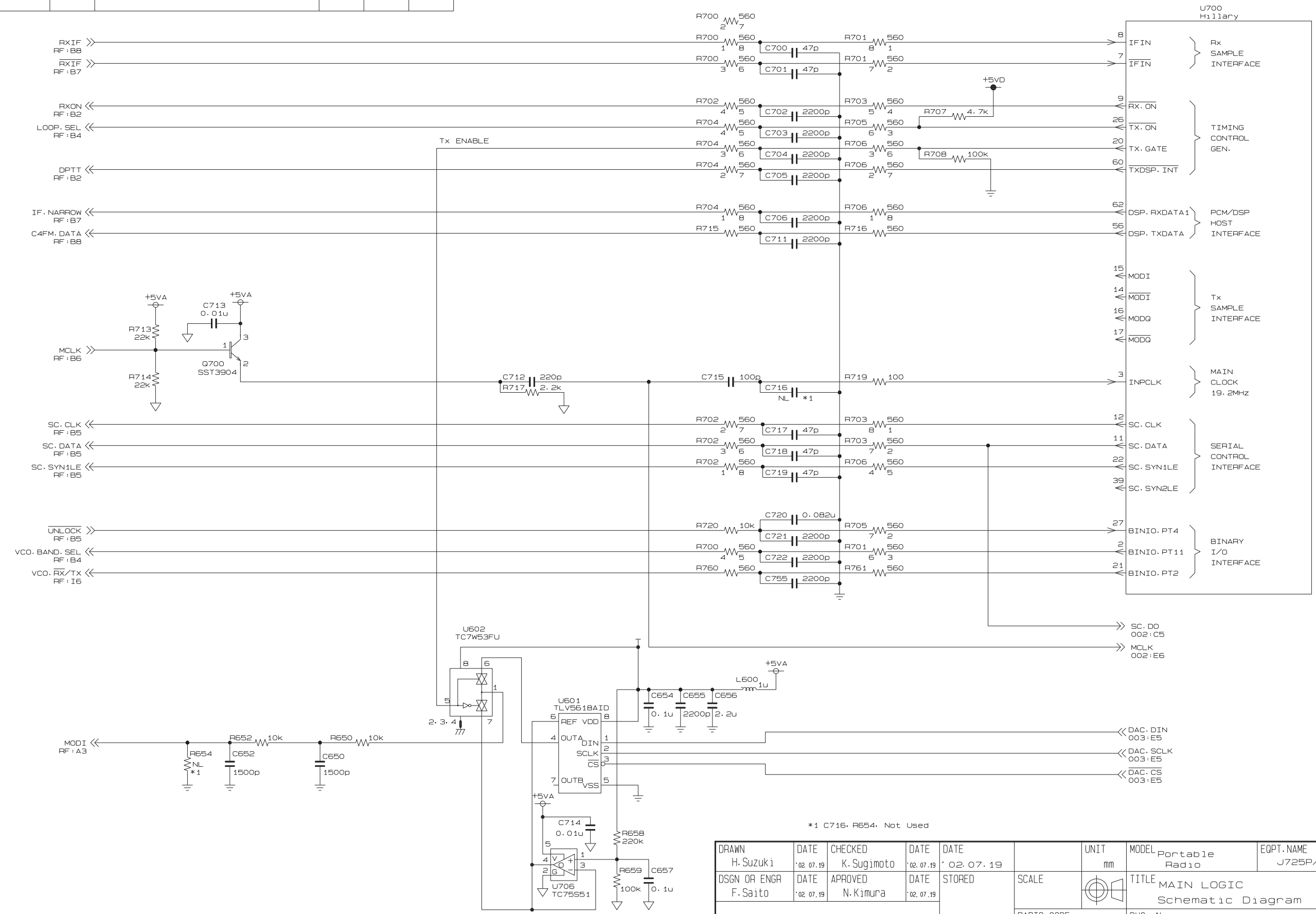
Rhein Tech Laboratories
360 Herndon Parkway
Suite 1400
Herndon, VA 20170
<http://www.rheintech.com>

M/A Com Private Radio Systems, Inc.
Model: P7100(IP) VHF Radio
FCC ID: OWDTR-0013-E
FCC & IC: Part 90 and RSS-119
RTL WO: 2002158

APPENDIX E: SCHEMATICS

Please refer to the following pages.

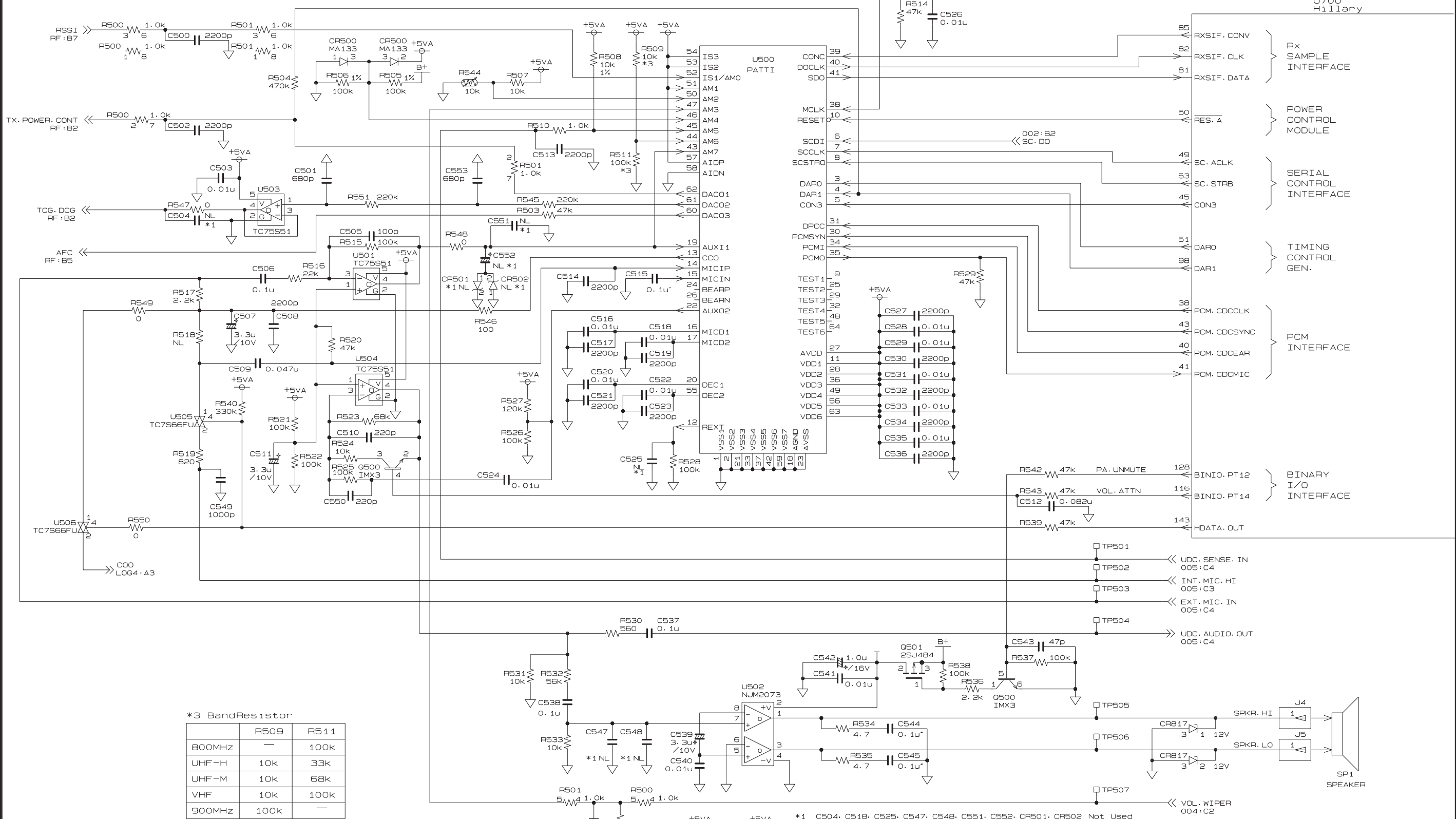
REVISIONS	SYM	DATE	POSITION	DESCRIPTION	REVISED	CHECKED	APPROVED
1	X						
2	X						
3	X						
4	X						
5	X						



*1 C716, R654, Not Used

DRAWN H. Suzuki	DATE '02.07.19	CHECKED K. Sugimoto	DATE '02.07.19	DATE '02.07.19	UNIT mm	MODEL Portable Radio	EQPT. NAME J725P/P1 VHF
DSGN OR ENGR F. Saito	DATE '02.07.19	APPROVED N. Kimura	DATE '02.07.19	STORED	SCALE	TITLE MAIN LOGIC Schematic Diagram	1/6
KOKUSAI DENKI ENGINEERING CO., LTD						PARTS CODE	DWG. No. G3UD07398
							Rev. 0

REVISIONS	SYM	DATE	POSITION	DESCRIPTION	REVISED	CHECKED	APPROVED
1	X						
2	X						
3	X						
4	X						
5	X						



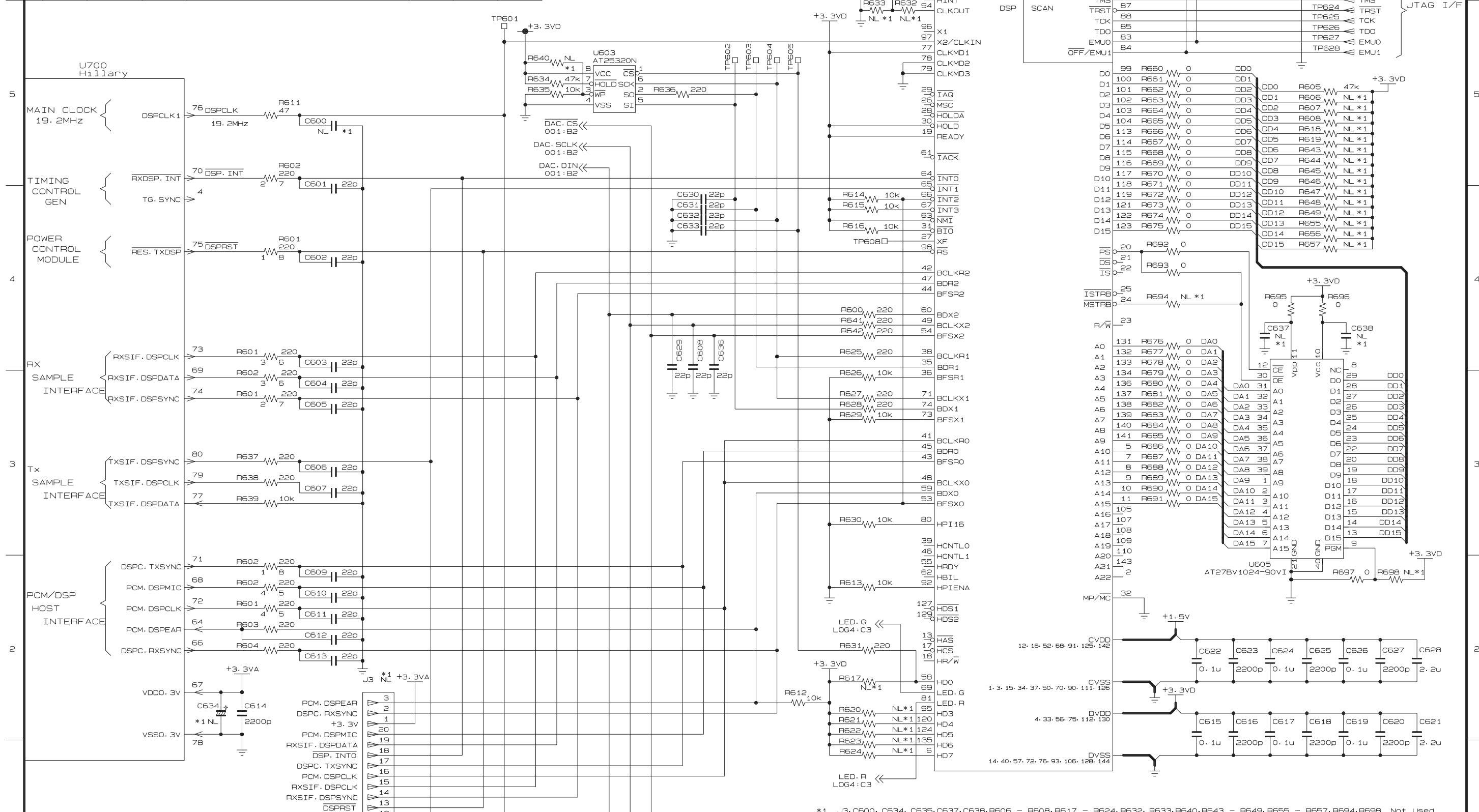
*3 BandResistor

	R509	R511
800MHZ	-	100k
UHF-H	10k	33k
UHF-M	10k	68k
VHF	10k	100k
900MHZ	100k	-

*1 C504, C518, C525, C547, C548, C551, C552, CR501, CR502 Not Used

DRAWN H. Suzuki	DATE '02.07.19	CHECKED K. Sugimoto	DATE '02.07.19	DATE '02.07.19	UNIT mm	MODEL Portable Radio	EQPT. NAME J725P/P1 VHF
DSGN OR ENGR F. Saito	DATE '02.07.19	APPROVED N. Kimura	DATE '02.07.19	STORED	SCALE	TITLE MAIN LOGIC Schematic Diagram	2/6
KOKUSAIDENKI ENGINEERING CO., LTD					PARTS CODE	DWG. No. G3UD07398	Rev. 0

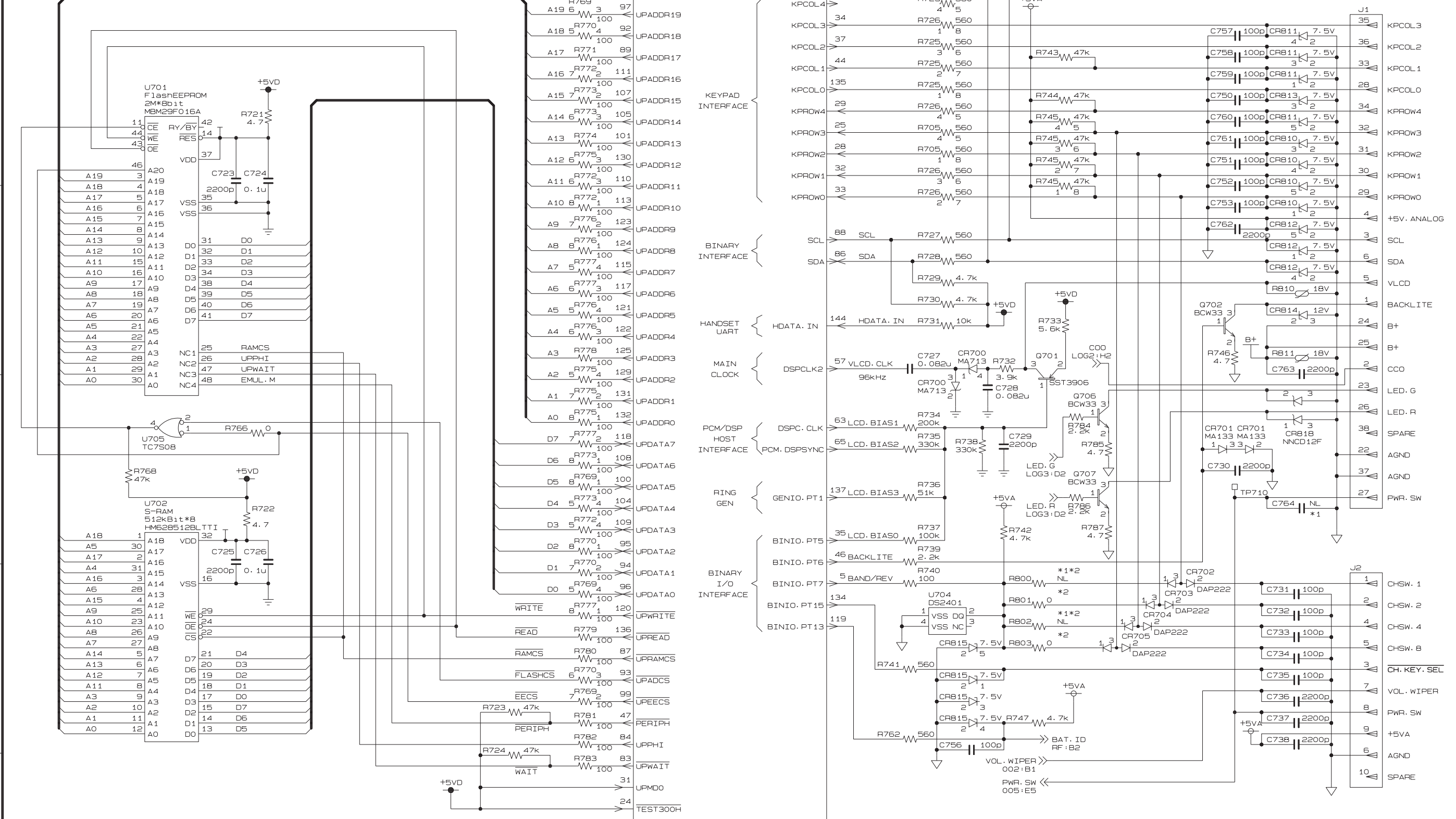
SYMBOL	DATE	POSITION	DESCRIPTION	REVISED	CHECKED	APPROVED
1						
2						
3						
4						
5						



*1 J3, C600, C634, C635, C637, C638, R606 - R608, R617 - R624, R632, R633, R640, R643 - R649, R655 - R657, R694, R698 Not Used

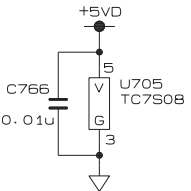
DRAWN H. Suzuki	DATE '02.07.19	CHECKED K. Sugimoto	DATE '02.07.19	DATE '02.07.19	UNIT mm	MODEL Portable Radio	EQPT. NAME J725P/P1 VHF
DSGN OR ENGR F. Saito	DATE '02.07.19	APPROVED N. Kimura	DATE '02.07.19	STORED	SCALE	TITLE MAIN LOGIC Schematic Diagram	3/6
KOKUSAIDENKI ENGINEERING CO., LTD				PARTS CODE	DWG. No. G3UD07398		Rev. 0

REVISIONS	SYM	DATE	POSITION	DESCRIPTION	REVISED	CHECKED	APPROVED
1	X						
2	X						
3	X						
4	X						
5	X						



*2 Hardware Revision. Device Select

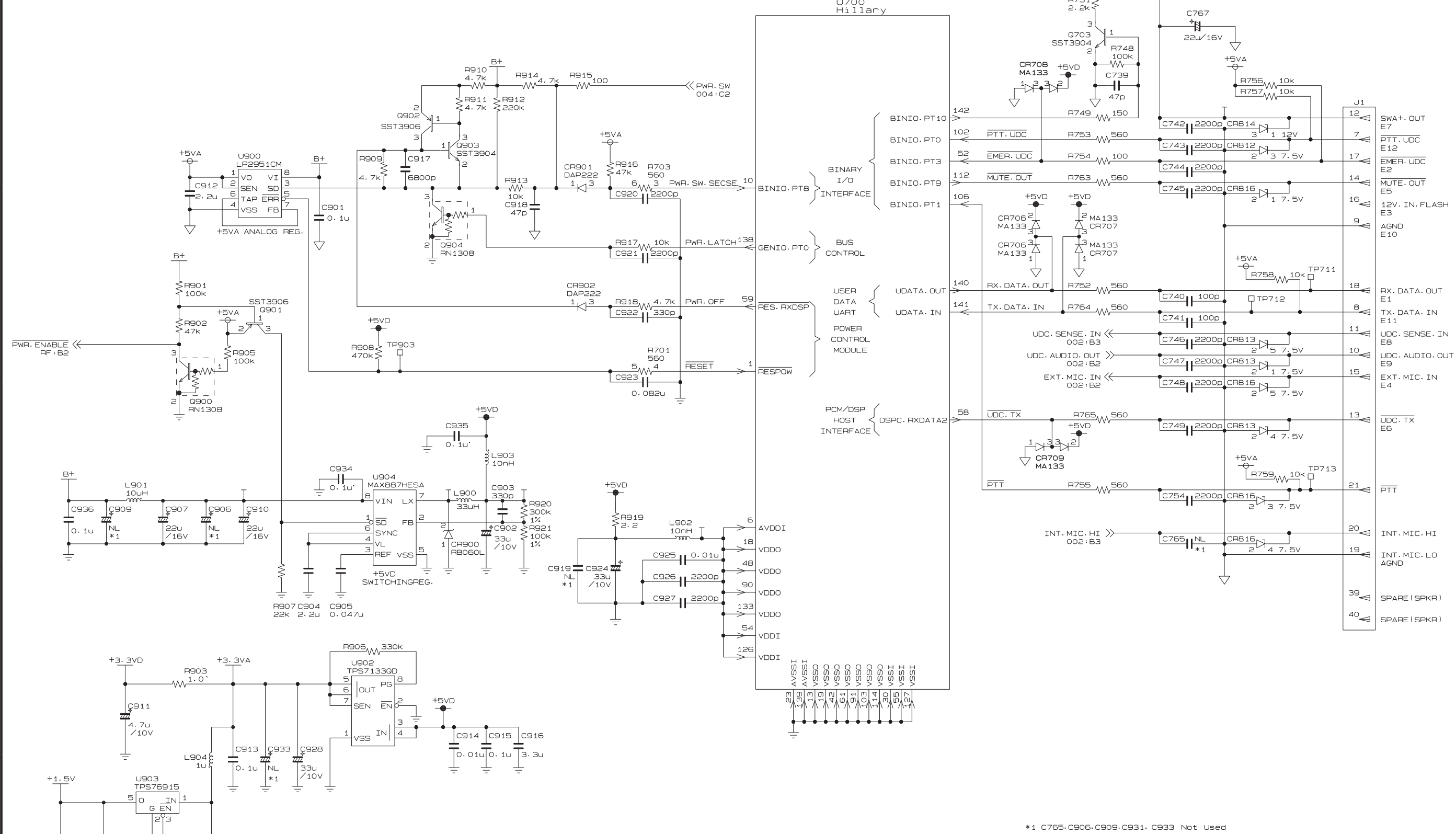
	RA0	RA1	RA2	RA3	R803	R802	Device	Open	Short	
					Short	Short	R800	DSP	VC5416	LC96
					Short	Open	R801	PLL	SA7025	CX72301
					Open	Short				
					Open	Open				



DRAWN H. Suzuki	DATE 02.07.19	CHECKED K. Sugimoto	DATE 02.07.19	DATE 02.07.19	UNIT mm	MODEL Portable Radio	EQPT. NAME J725P/P1 VHF
DSGN OR ENGR F. Saito	DATE 02.07.19	APPROVED N. Kimura	DATE 02.07.19	STORED	SCALE	TITLE MAIN LOGIC Schematic Diagram	4/6
KOKUSAIDENKI ENGINEERING CO., LTD				PARTS CODE	DWG. No.	G3UD07398	
						Rev. 0	

*1 C764, R800, R802 Not Used

SYMBOL	DATE	POSITION	DESCRIPTION	REVISED	CHECKED	APPROVED
1						
2						
3						
4						
5						



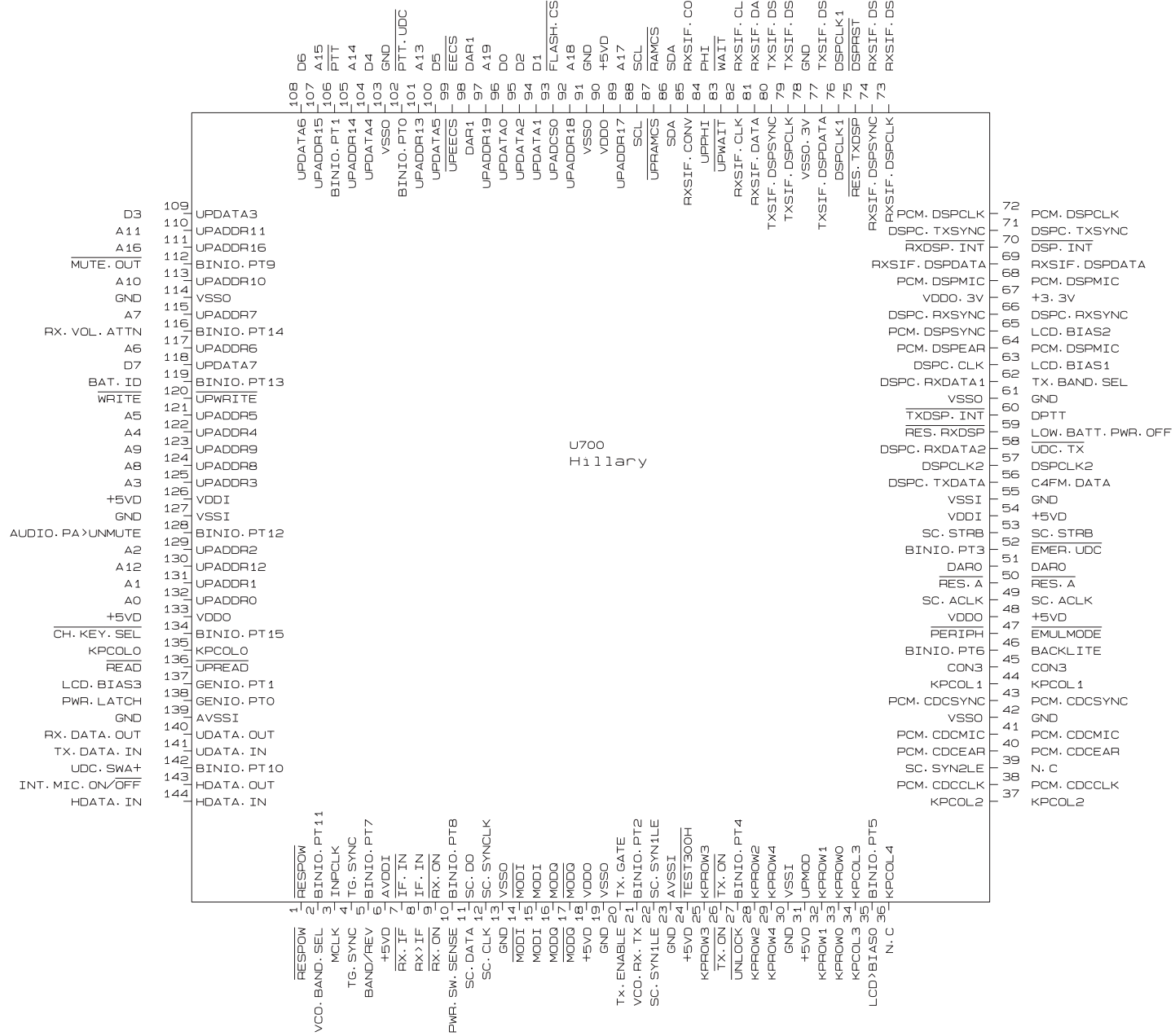
*1 C765-C906-C909-C931-C933 Not Used

DRAWN H. Suzuki	DATE '02.07.19	CHECKED K. Sugimoto	DATE '02.07.19	DATE '02.07.19	UNIT mm	MODEL Portable Radio	EQPT. NAME J725P/Pi VHF
DSGN OR ENGR F. Saito	DATE '02.07.19	APPROVED N. Kimura	DATE '02.07.19	STORED	SCALE	TITLE MAIN LOGIC Schematic Diagram	5/6
KOKUSAI DENKI ENGINEERING CO., LTD				PARTS CODE	DWG. No. G3UD07398	Rev. 0	

REVISIONS	SYM	DATE	POSITION	DESCRIPTION	REVISED	CHECKED	APPROVED
1	X						
2	X						
3	X						
4	X						
5	X						

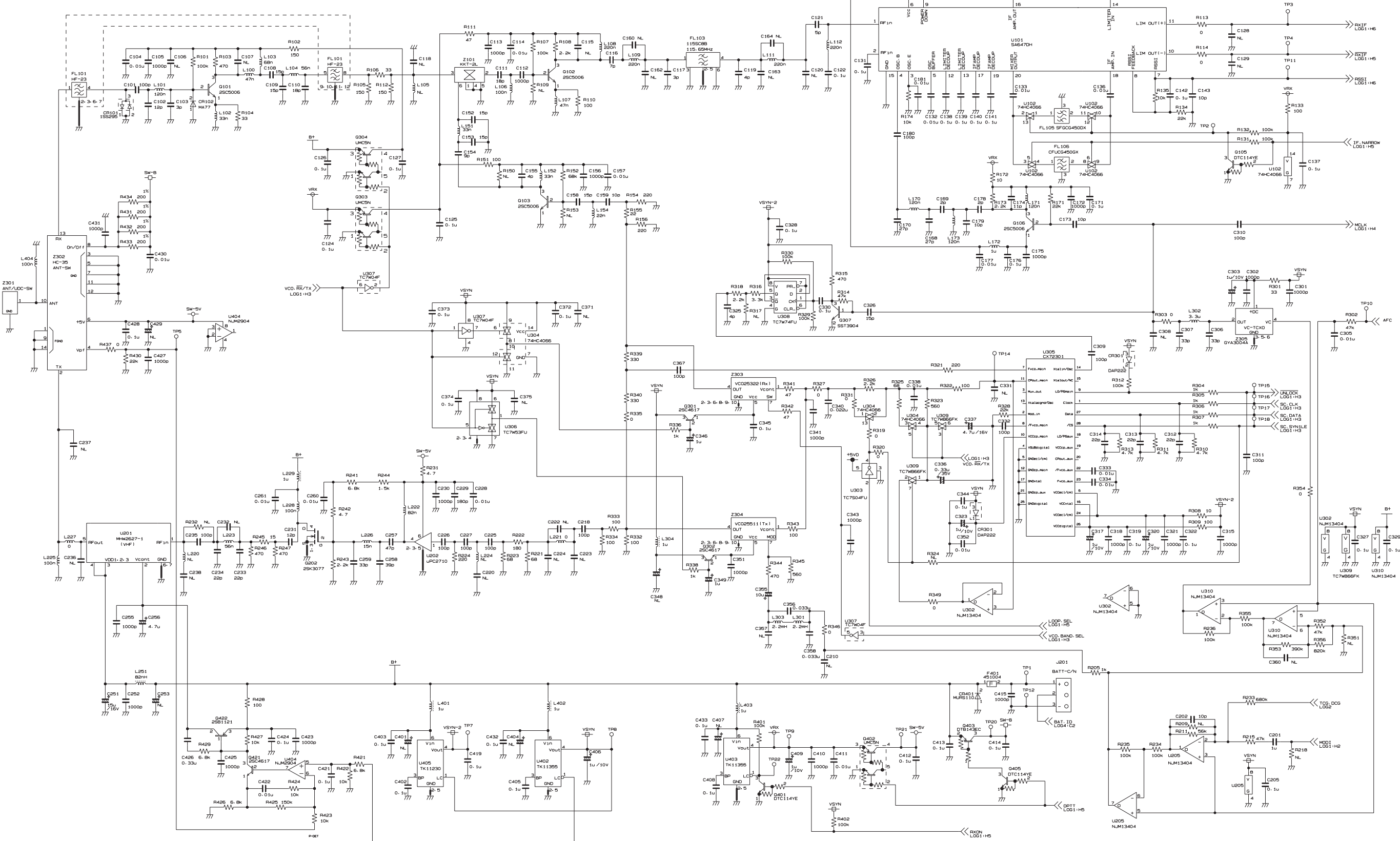
J1 AXN340038P

PTT	21	20	INT. MIC. HI
AGND	22	19	AGND (INT. MIC. LO)
N. C	23	18	Rx. DATA. OUT
B+	24	17	EMER. UDC
B+	25	16	N. C
N. C	26	15	EXT. MIC. IN
PWR. SW	27	14	MUTE. OUT
KPCOLO	28	13	UDC. TX
KPROW0	29	12	SWA+. OUT
KPROW1	30	11	UDC. SENSE. IN
KPROW2	31	10	UDC. AUDIO. OUT
KPROW3	32	9	AGND
KPCOL1	33	8	TX. DATA. IN
KPROW4	34	7	PTT. UDC
KPCOL3	35	6	SDA
KPCOL2	36	5	VLCD
AGND	37	4	+5VA
N. C	38	3	SCL
SPKR. HI	39	2	N. C
SPKR. LO	40	1	BACKLITE



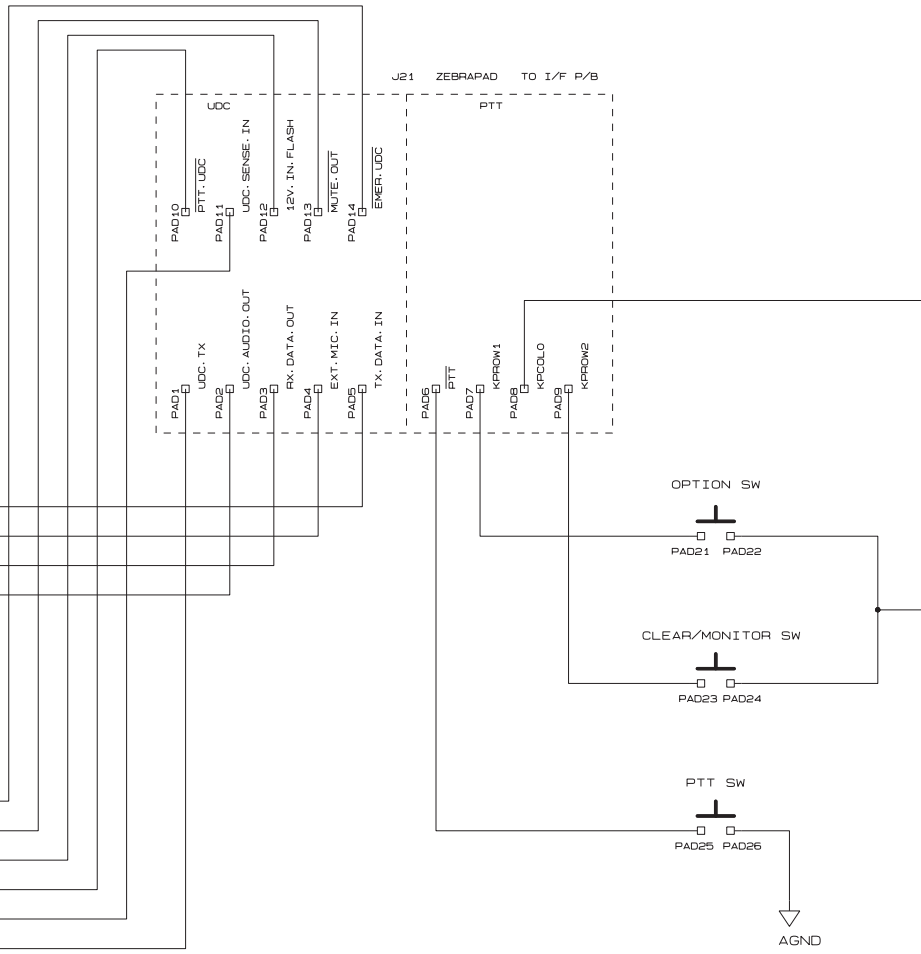
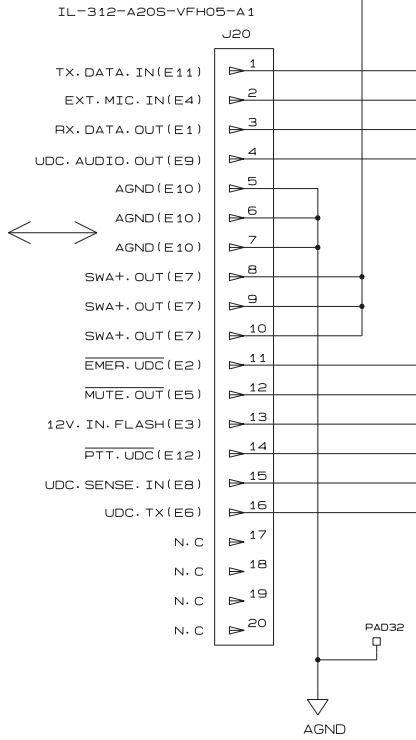
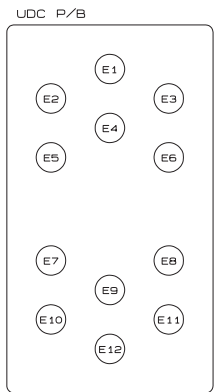
DRAWN H. Suzuki	DATE '02.07.19	CHECKED K. Sugimoto	DATE '02.07.19	DATE '02.07.19	UNIT mm	MODEL portable Radio	EQPT. NAME J725P/P1 VHF
DSGN OR ENGR F. Saito	DATE '02.07.19	APPROVED N. Kimura	DATE '02.07.19	STORED	SCALE	TITLE MAIN LOGIC Schematic Diagram	6/6
KOKUSAIDENKI ENGINEERING CO., LTD					PARTS CODE	DWG. No. G3UD07398	Rev. o

SYMBOL	DATE	POSITION	DESCRIPTION	REVISED	CHECKED	APPROVED
△						
△						
△						
△						
△						



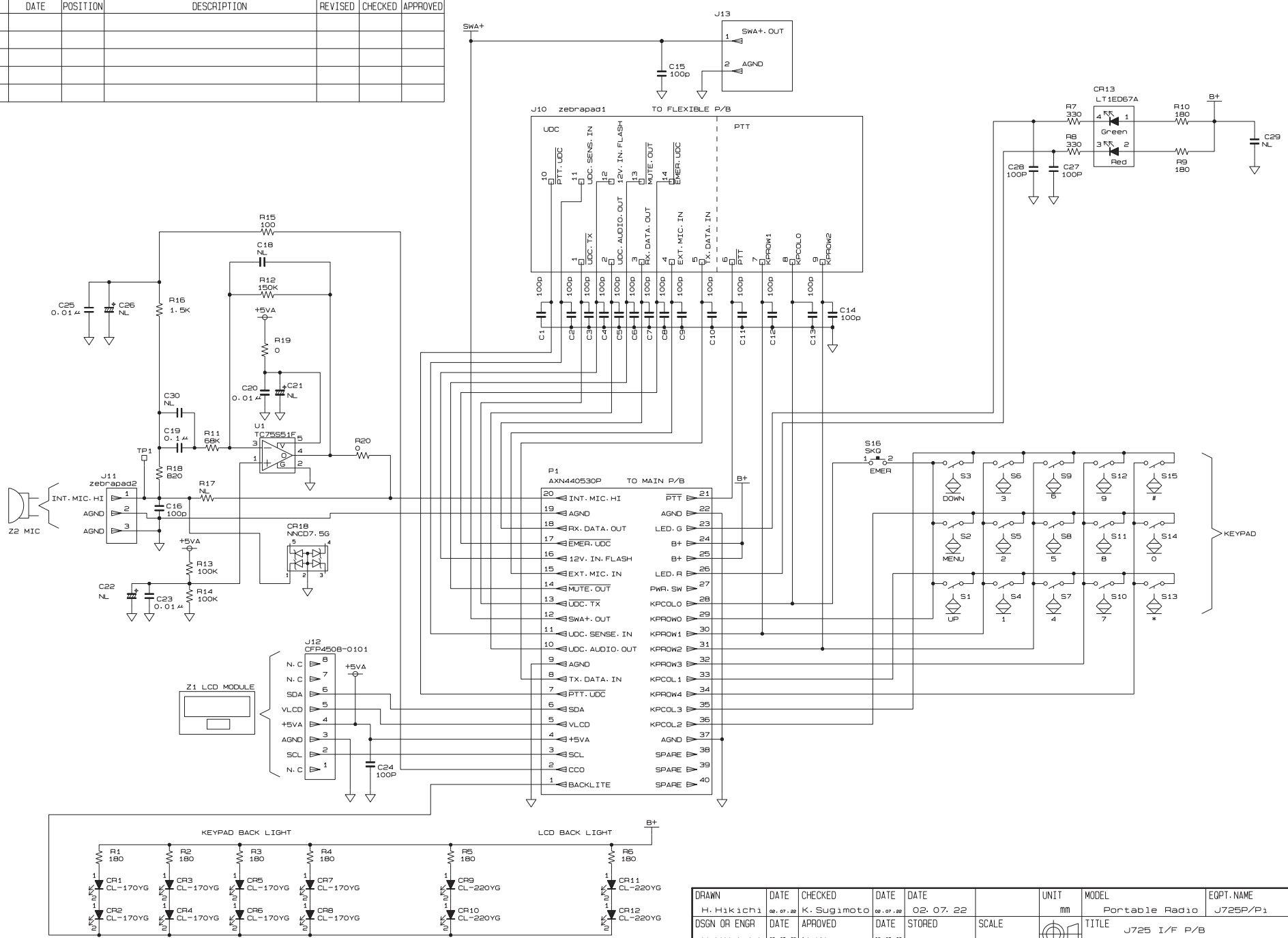
DRAWN H. Suzuki	DATE 02.07.19	CHECKED K. Sugimoto	DATE 02.07.19	DATE 02.07.19	UNIT mm	MODEL Portable Radio	EQPT. NAME J725P/P1 VHF
DSGN OR ENGR F. Saito	DATE 02.07.19	APPROVED N. Kimura	DATE 02.07.19	DATE 02.07.19	SCALE	TITLE MAIN RADIO Schematic Diagram	1/1
KOKUSAIDENKI ENGINEERING CO., LTD						PARTS CODE	DWG. No. G2UD07397

REVISIONS	SYM	DATE	POSITION	DESCRIPTION	REVISED	CHECKED	APPROVED
1	△						
2	△						
3	△						
4	△						
5	△						



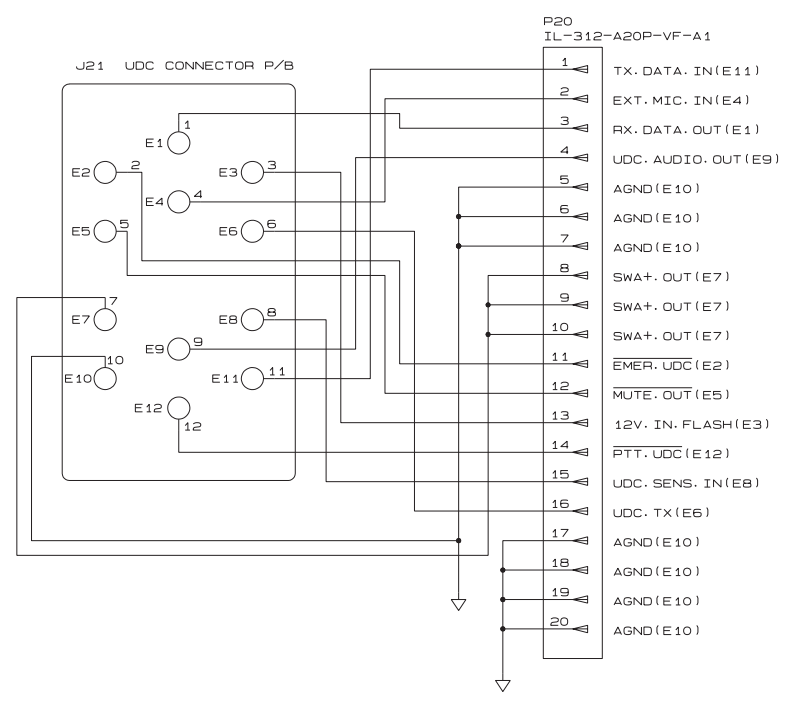
DRAWN H. Hikichi	DATE 02.07.20	CHECKED K. Sugimoto	DATE 02.07.22	DATE 02.07.22	UNIT mm	MODEL Portable Radio	EQPT. NAME J725P/P1
DSGN OR ENGR H. Hikichi	DATE 02.07.20	APPROVED N. Kimura	DATE 02.07.22	STORED	SCALE	TITLE J725 FLEX P/B Schematic Diagram	1/1
KOKUSAIDENKI ENGINEERING CO., LTD					PARTS CODE	DWG. No. G3UD07276	Rev. 0

REVISIONS	SYM	DATE	POSITION	DESCRIPTION	REVISED	CHECKED	APPROVED
1	X						
2	X						
3	X						
4	X						
5	X						

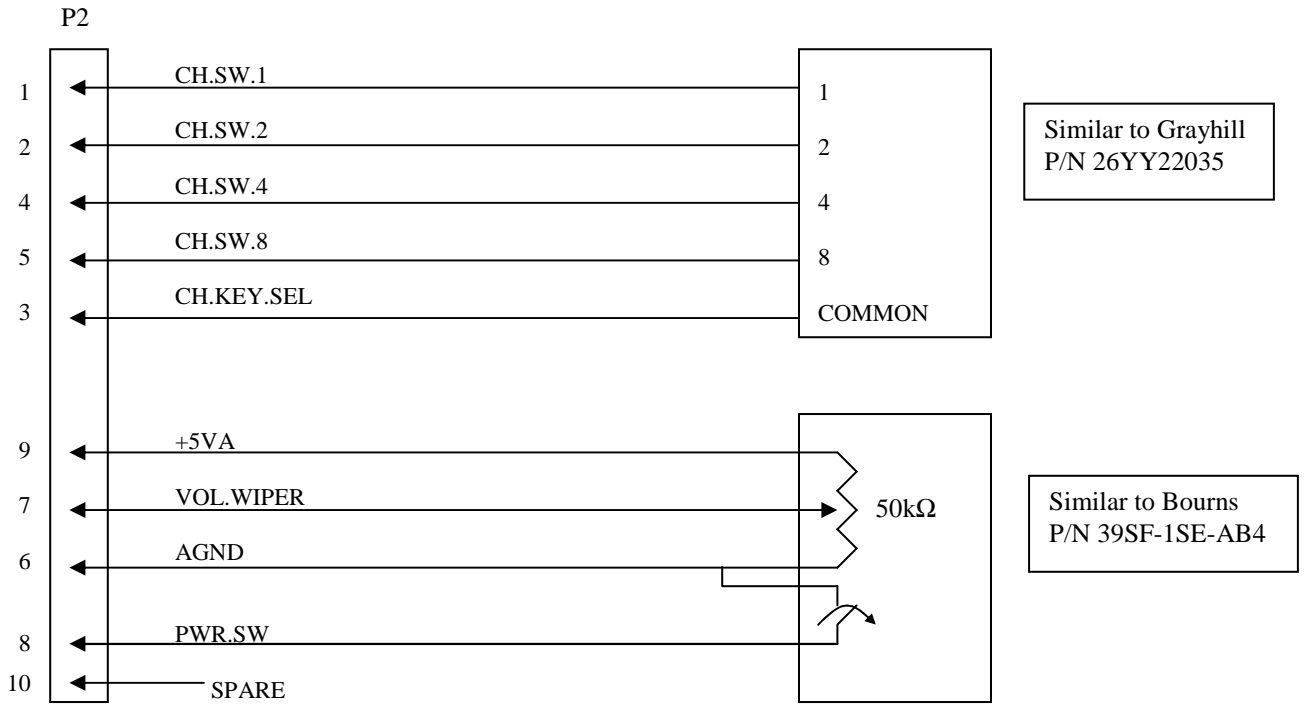


DRAWN	DATE	CHECKED	DATE	DATE	UNIT	MODEL	EQPT. NAME
H. Hikichi	08.07.22	K. Sugimoto	08.07.22	02.07.22	mm	Portable Radio	J725P/P1
DSGN OR ENGR	DATE	APPROVED	DATE	STORED	SCALE	TITLE	
H. Hikichi	08.07.22	N. Kimura	08.07.22			J725 I/F P/B Schematic Diagram	1/1
KOKUSAIDENKI ENGINEERING CO., LTD					PARTS CODE	DWG. No.	Rev.
						G3UD07399	0

REV. NO.	SYM	DATE	POSITION	DESCRIPTION	REVISED	CHECKED	APPROVED
1	△X						
2	△X						
3	△X						
4	△X						
5	△X						



DRAWN	DATE	CHECKED	DATE	DATE	UNIT	MODEL	EQPT. NAME
H. Hikichi	02.07.22	K. Sugimoto	02.07.22	02.07.22	mm	Portable Radio	J725P/P1
DSGN OR ENGR	DATE	APPROVED	DATE	STORED	SCALE	TITLE	1/1
H. Hikichi	02.07.22	N. Kimura	02.07.22			UDC CONNECTOR P/B Schematic Diagram	
KOKUSAIDENKI ENGINEERING CO., LTD						PARTS CODE	DWG. No. G3UD07400
							Rev. 0



Channel Switch Switch Position	Truth Table Gray Output*			
	1	2	4	8
1				
2	•			
3	•	•		
4		•		
5		•	•	
6	•	•	•	
7	•		•	
8			•	
9			•	•
10	•		•	•
11	•	•	•	•
12		•	•	•
13		•		•
14	•	•		•
15	•			•
16				•

* Dot indicates terminal is tied to common

Date: July/01/2002			Stored	Equipment Name: J700P/J725P		
Approved	Checked	Drawn		Title		
N.Kimura	K.Sugimoto	S.Kumagai		Switch Module Assembly Schematic Diagram		
Kokusai Denki Engineering Co., LTD.				DWG. No.	Page	Rev.
			G4UD07379	1/1	0	