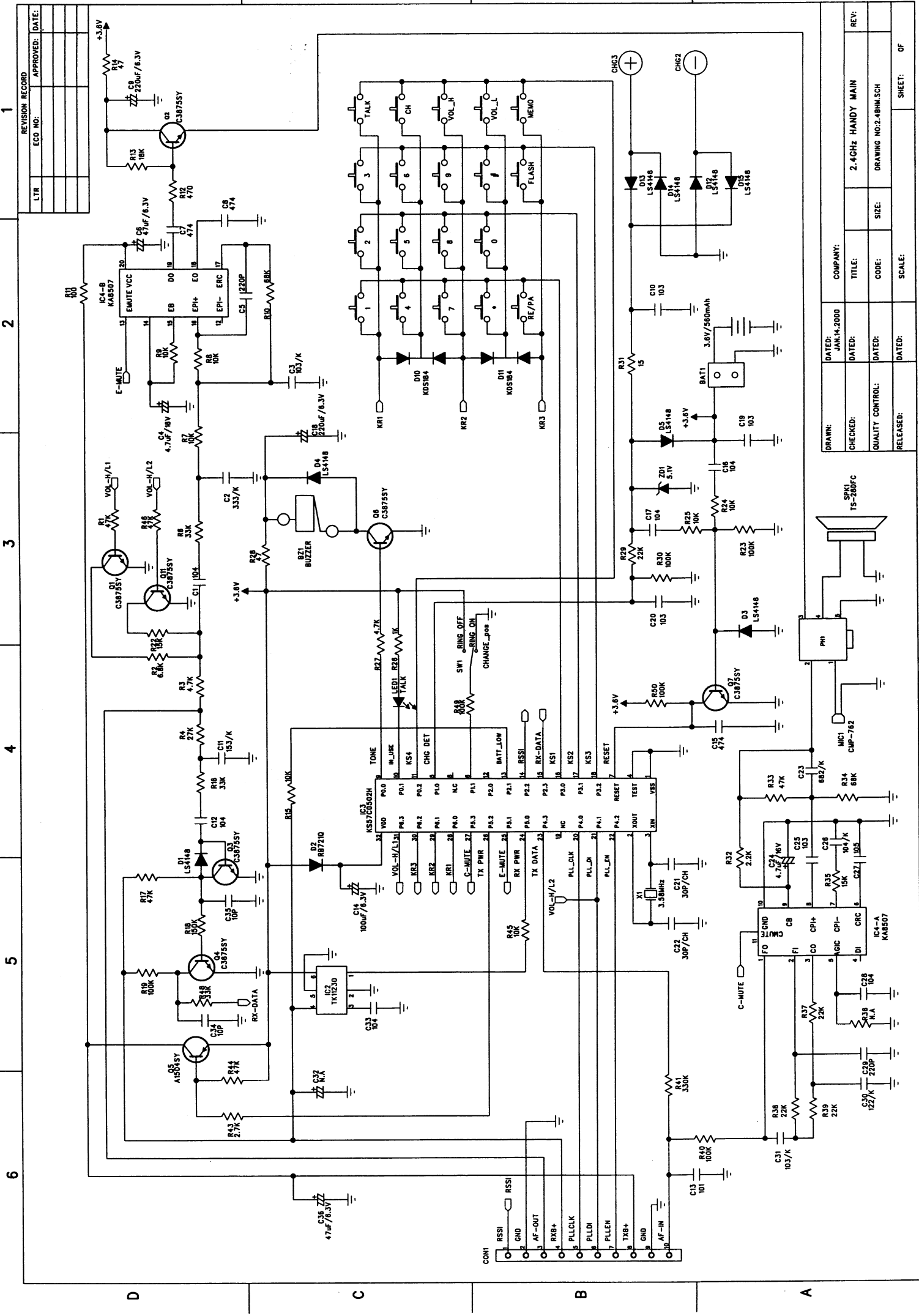


MODEL NO	RF-BASE	CHECKED	APPROVED	DATE	SHEET	REV.	FILE NAME
				2000.01.17	1/1		

NAME	2.40MHz B/S RF	VIEW
DWG.NO.	RF2_4B.SCH	UNIT
SCALE		m/m



REVISION RECORD	
LTR	APPROVED: DATE:

DATE:	COMPANY:
JAN.14.2000	2.4GHz HANDY MAIN
CHECKED:	TITLE:
QUALITY CONTROL:	CODE:
RELEASED:	SCALE:

DATE:	COMPANY:
JAN.14.2000	2.4GHz HANDY MAIN
CHECKED:	TITLE:
QUALITY CONTROL:	CODE:
RELEASED:	SCALE:

DATE:	COMPANY:
JAN.14.2000	2.4GHz HANDY MAIN
CHECKED:	TITLE:
QUALITY CONTROL:	CODE:
RELEASED:	SCALE:

DATE:	COMPANY:
JAN.14.2000	2.4GHz HANDY MAIN
CHECKED:	TITLE:
QUALITY CONTROL:	CODE:
RELEASED:	SCALE:

DATE:	COMPANY:
JAN.14.2000	2.4GHz HANDY MAIN
CHECKED:	TITLE:
QUALITY CONTROL:	CODE:
RELEASED:	SCALE:

DATE:	COMPANY:
JAN.14.2000	2.4GHz HANDY MAIN
CHECKED:	TITLE:
QUALITY CONTROL:	CODE:
RELEASED:	SCALE:

DATE:	COMPANY:
JAN.14.2000	2.4GHz HANDY MAIN
CHECKED:	TITLE:
QUALITY CONTROL:	CODE:
RELEASED:	SCALE:

DATE:	COMPANY:
JAN.14.2000	2.4GHz HANDY MAIN
CHECKED:	TITLE:
QUALITY CONTROL:	CODE:
RELEASED:	SCALE:

DATE:	COMPANY:
JAN.14.2000	2.4GHz HANDY MAIN
CHECKED:	TITLE:
QUALITY CONTROL:	CODE:
RELEASED:	SCALE:

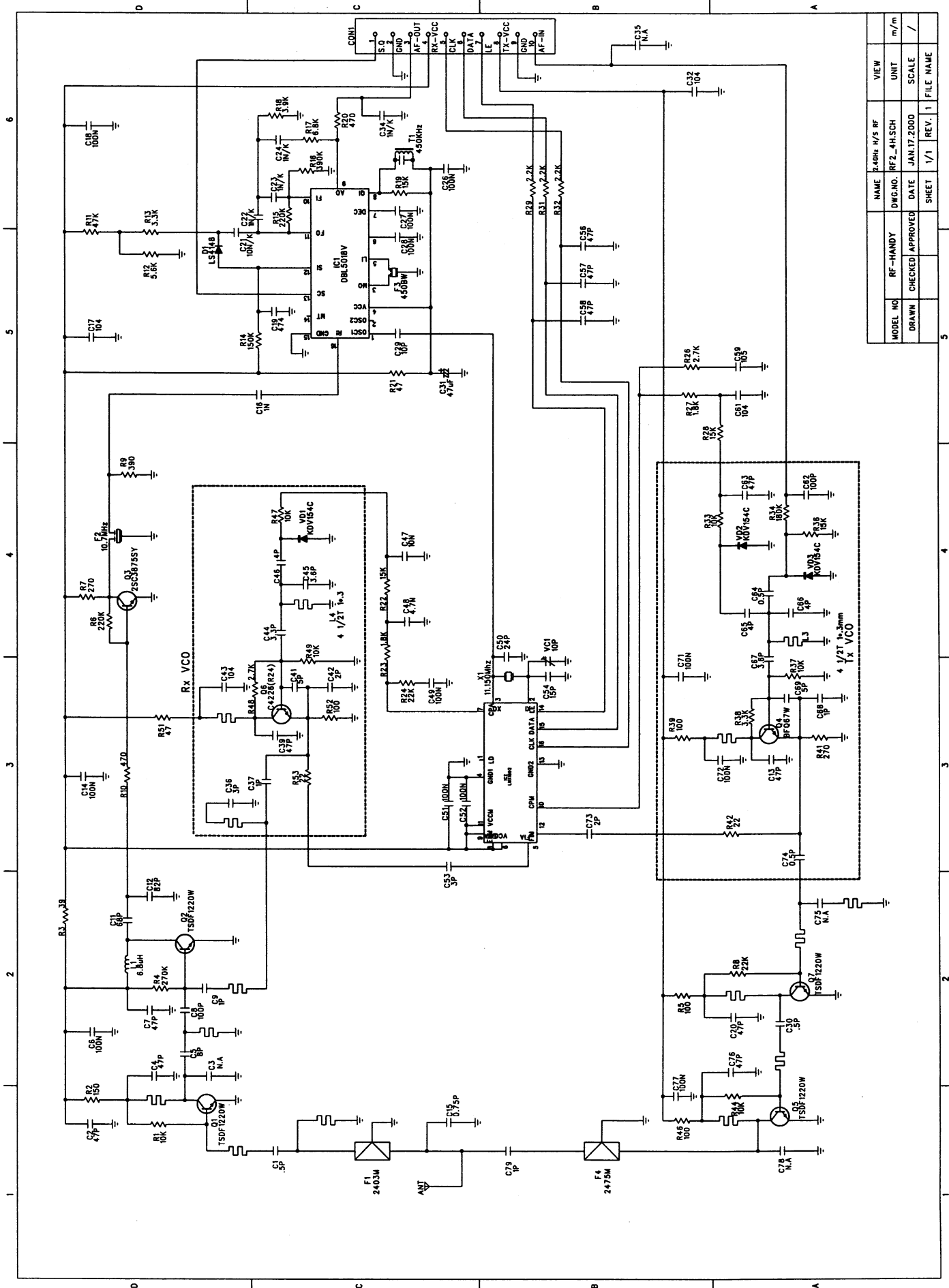
DATE:	COMPANY:
JAN.14.2000	2.4GHz HANDY MAIN
CHECKED:	TITLE:
QUALITY CONTROL:	CODE:
RELEASED:	SCALE:

DATE:	COMPANY:
JAN.14.2000	2.4GHz HANDY MAIN
CHECKED:	TITLE:
QUALITY CONTROL:	CODE:
RELEASED:	SCALE:

DATE:	COMPANY:
JAN.14.2000	2.4GHz HANDY MAIN
CHECKED:	TITLE:
QUALITY CONTROL:	CODE:
RELEASED:	SCALE:

DATE:	COMPANY:
JAN.14.2000	2.4GHz HANDY MAIN
CHECKED:	TITLE:
QUALITY CONTROL:	CODE:
RELEASED:	SCALE:

DATE:	COMPANY:
JAN.14.2000	2.4GHz HANDY MAIN
CHECKED:	TITLE:
QUALITY CONTROL:	CODE:
RELEASED:	SCALE:



MODEL NO	RF-HANDY	CHECKED	APPROVED	DATE	SHEET	REV.	FILE NAME
				JAN.17.2000	1/1	1/1	

NAME	2.4GHz 1/5 RF	VIEW
DWG.NO.	RF2_4H.SCH	UNIT
DRAWN		SCALE
CHECKED		1/1
APPROVED		1/1
DATE		REV.
SHEET		1/1
FILE NAME		