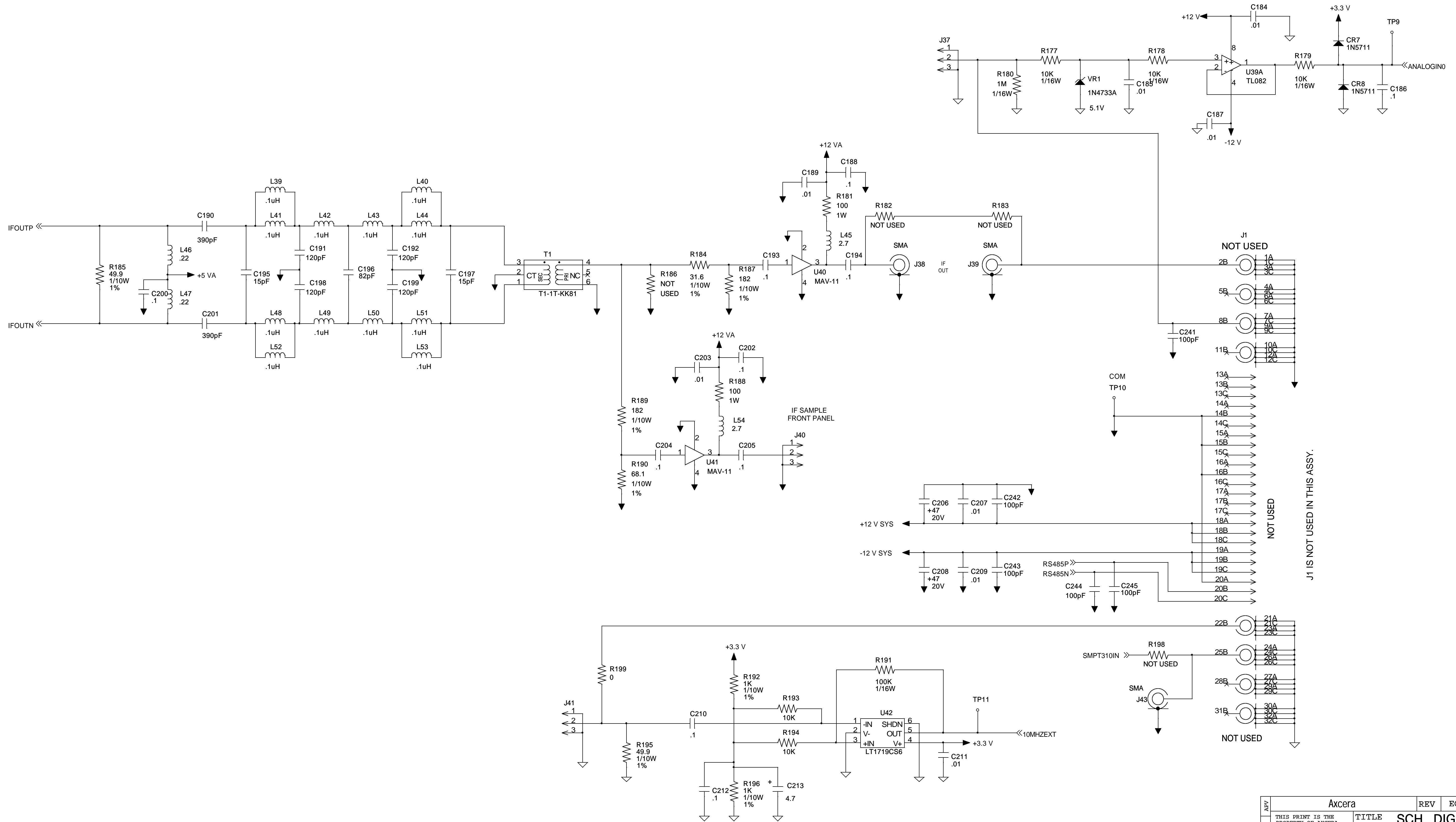
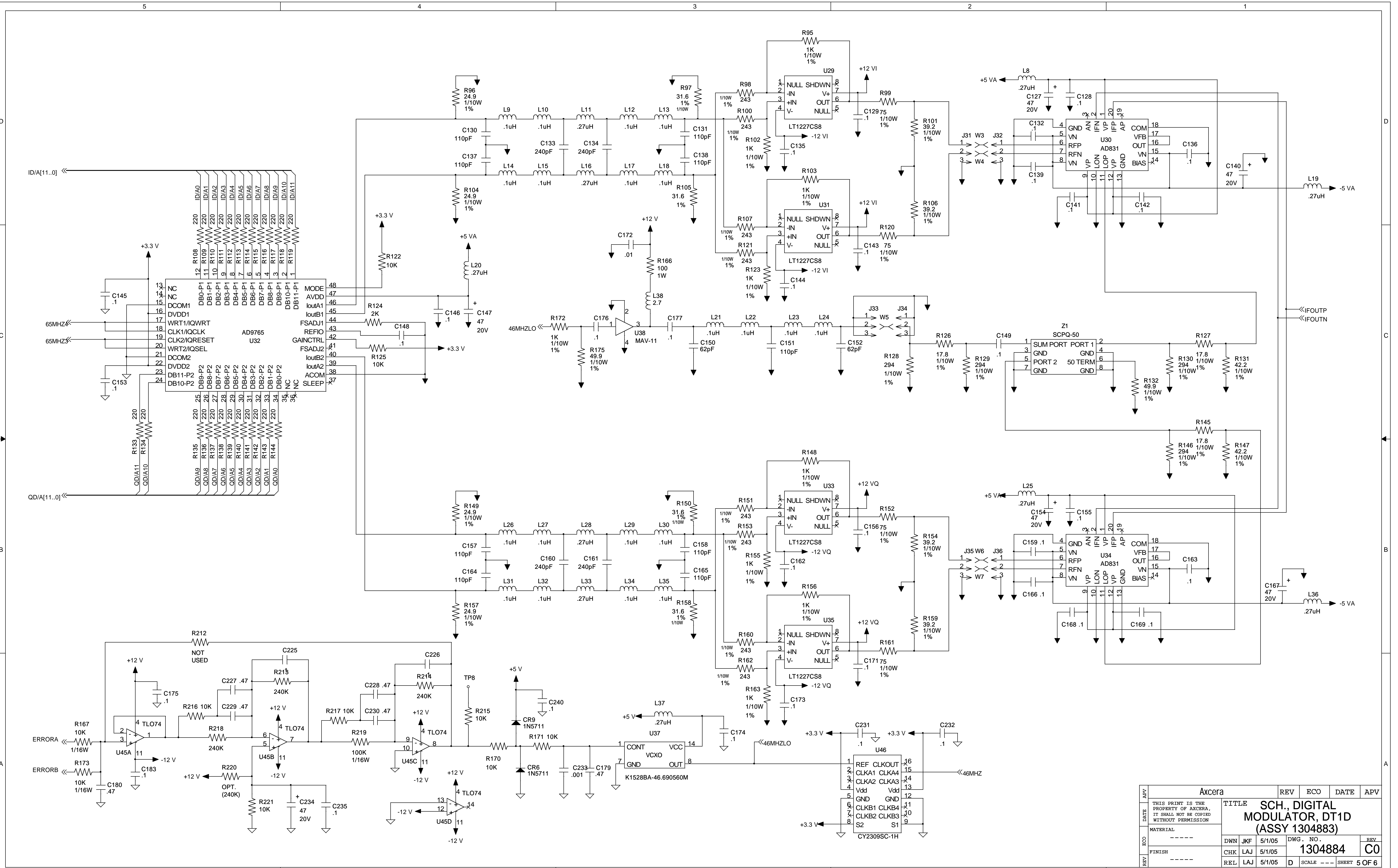


LAST USED REF	
C245	
L54	
J48	
R226	
U46	
CR9	
TP13	
VR1	
T1	
W7	
Z1	
DS3	
Y1	
Q2	



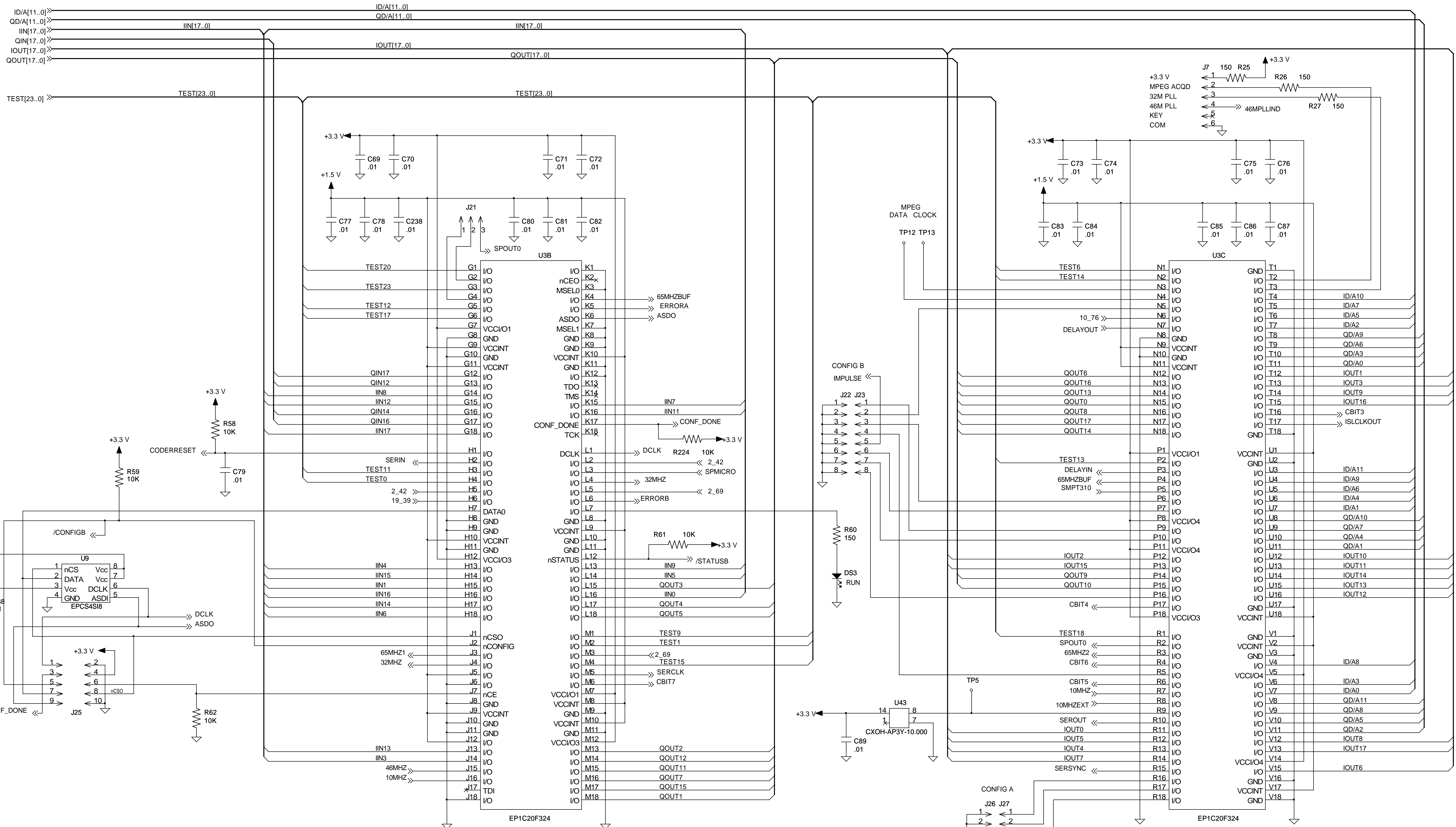
J1 IS NOT USED IN THIS ASSY.

APV		REV		ECO	DATE	APV
THIS PRINT IS THE PROPERTY OF AXCERA, IT SHALL NOT BE COPIED WITHOUT PERMISSION		TITLE		SCH., DIGITAL MODULATOR, DT1D (ASSY 1304883)		
MATERIAL		DWN	JKF	5/1/05	DWG. NO.	REV
FINISH		CHK	LAJ	5/1/05	1304884	C0
REV		REL	LAJ	5/1/05	D	SCALE --- SHEET 6 OF 6



APV		Xcerra		REV	ECO	DATE	APV
DATE	APV	THIS PRINT IS THE PROPERTY OF XCCERA, IT SHALL NOT BE COPIED WITHOUT PERMISSION					
ECO	MATERIAL	TITLE SCH., DIGITAL MODULATOR, DT1D (ASSY 1304883)					
REV	FINISH	DWN	JKF	5/1/05	DWG. NO.	1304884	REV C0
		CHK	LAJ	5/1/05	SCALE	---	SHEET 5 OF 6





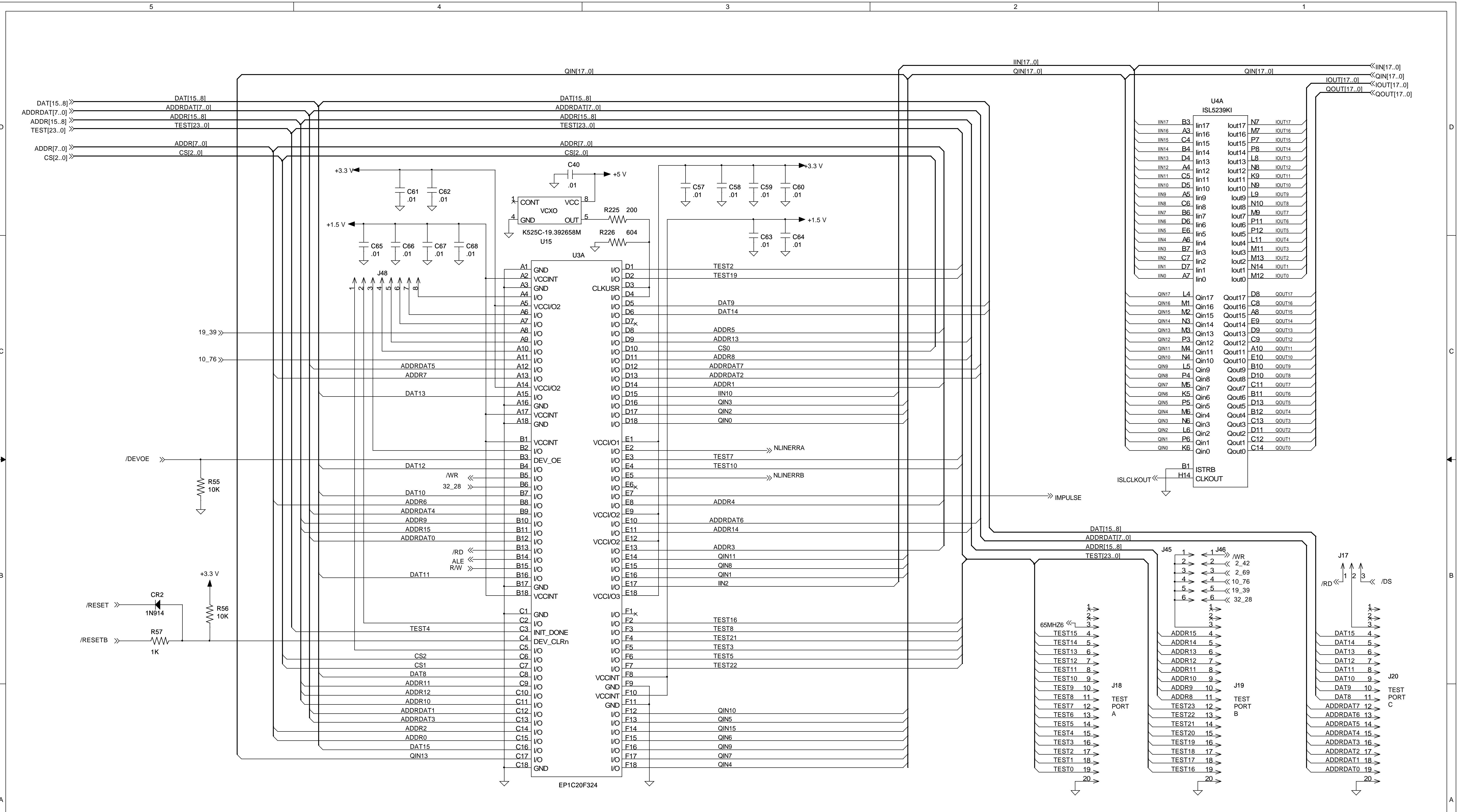
EP1C20F324

EP1C20F324

REV	APV	ECO	DATE	APV
---	---	---	---	---
---	---	---	---	---
---	---	---	---	---

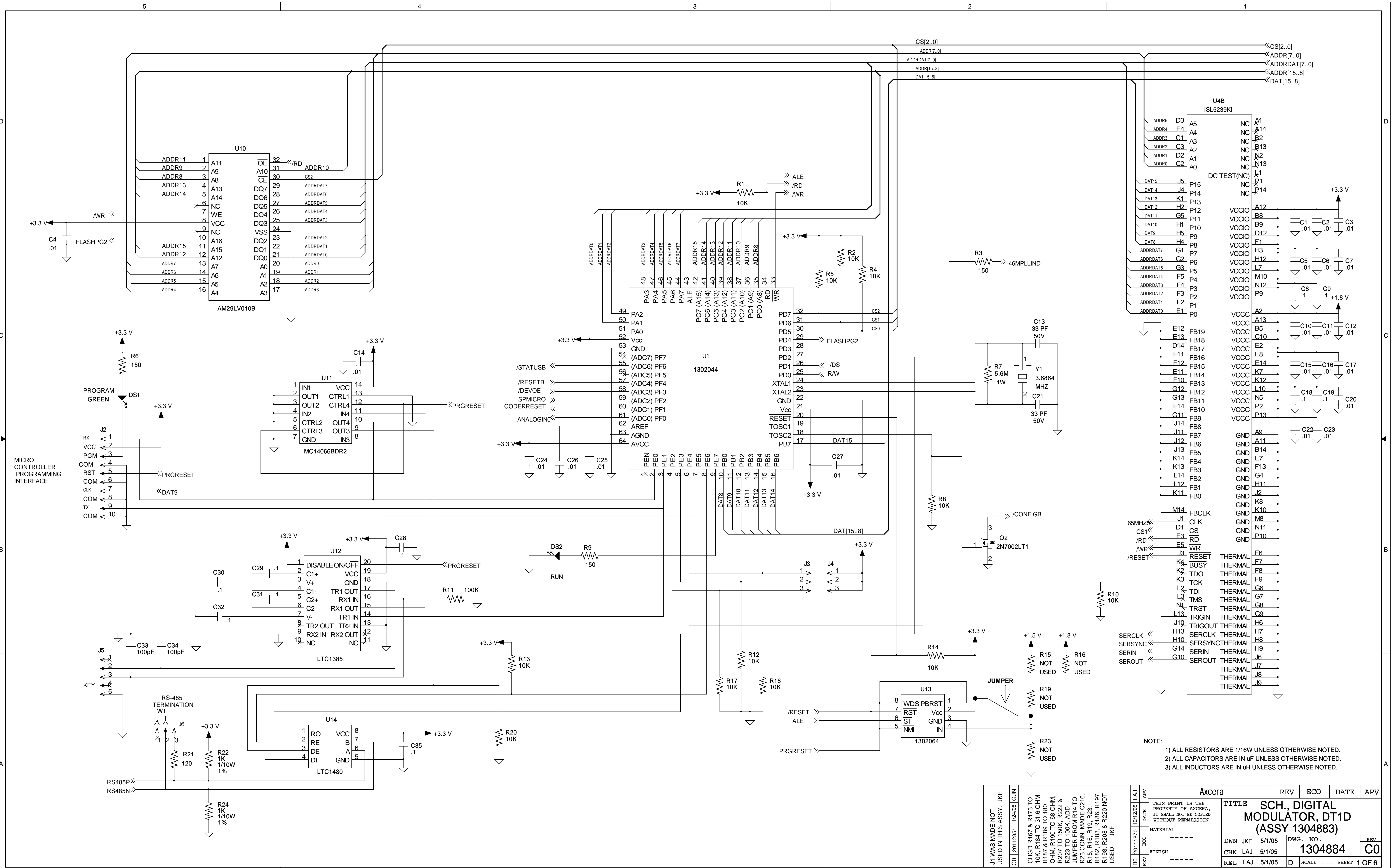
Axcera		REV	ECO	DATE	APV
THIS PRINT IS THE PROPERTY OF AXCIERA, IT SHALL NOT BE COPIED WITHOUT PERMISSION		TITLE SCH., DIGITAL MODULATOR, DT1D (ASSY 1304883)			
MATERIAL		DWN	JKF	5/1/05	DWG. NO. 1304884
FINISH		CHK	LAJ	5/1/05	REV C0
---		REL	LAJ	5/1/05	D SCALE --- SHEET 3 OF 6



REV	ECO	DATE	APV
---	---	---	---
---	---	---	---
---	---	---	---

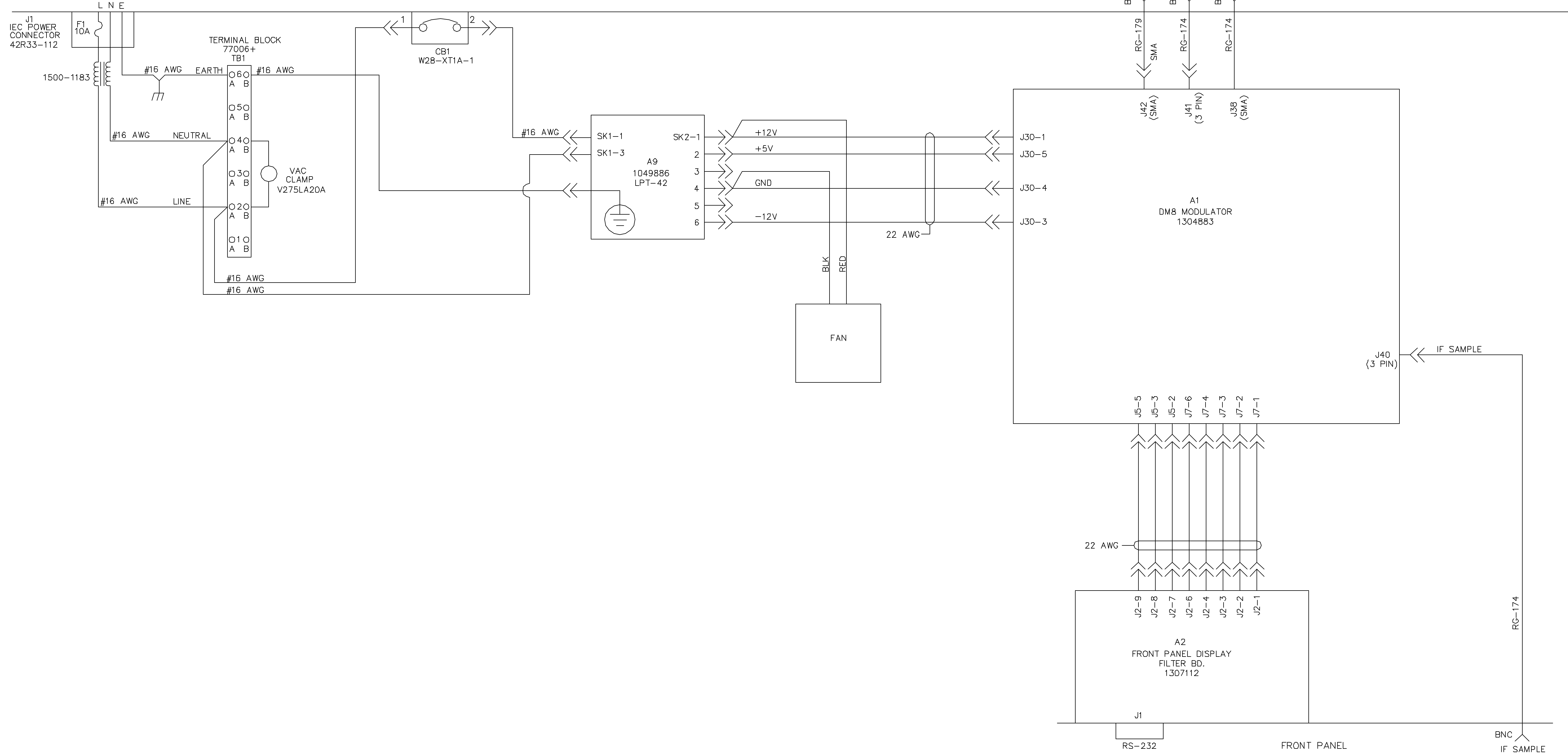
  

Axcera		REV	ECO	DATE	APV
THIS PRINT IS THE PROPERTY OF AXCERA, IT SHALL NOT BE COPIED WITHOUT PERMISSION		TITLE SCH., DIGITAL MODULATOR, DT1D (ASSY 1304883)			
MATERIAL	---	DWN	JKF	5/1/05	DWG. NO. 1304884
FINISH	---	CHK	LAJ	5/1/05	REV C0
---	---	REL	LAJ	5/1/05	D SCALE --- SHEET 2 OF 6



NOTE:  
 1) ALL RESISTORS ARE 1/16W UNLESS OTHERWISE NOTED.  
 2) ALL CAPACITORS ARE IN uF UNLESS OTHERWISE NOTED.  
 3) ALL INDUCTORS ARE IN uH UNLESS OTHERWISE NOTED.

J1 WAS MADE NOT USED IN THIS ASSY. JKF		C0   20112851   1/24/08   GJN		CHGD R167 & R173 TO 10K R184 TO 31.6 OHM, R167 & R169 TO 160 OHM, R190 TO 85 OHM, R207 TO 100K, R222 & R230 TO 100K, ADD JUMPER FROM R14 TO R23 CONN. MADE C216, R15, R16, R19, R23, R182, R163, R186, R197, R198, R208 & R220 NOT USED. JKF	
Xcerra		REV	ECO	DATE	APV
THIS PRINT IS THE PROPERTY OF XCERRA, IT SHALL NOT BE COPIED WITHOUT PERMISSION		TITLE		SCH., DIGITAL MODULATOR, DT1D (ASSY 1304883)	
MATERIAL		DWN	JKF	5/1/05	DWG. NO. 1304884
FINISH		CHK	LAJ	5/1/05	REV C0
ECO		REL	LAJ	5/1/05	D SCALE --- SHEET 1 OF 6



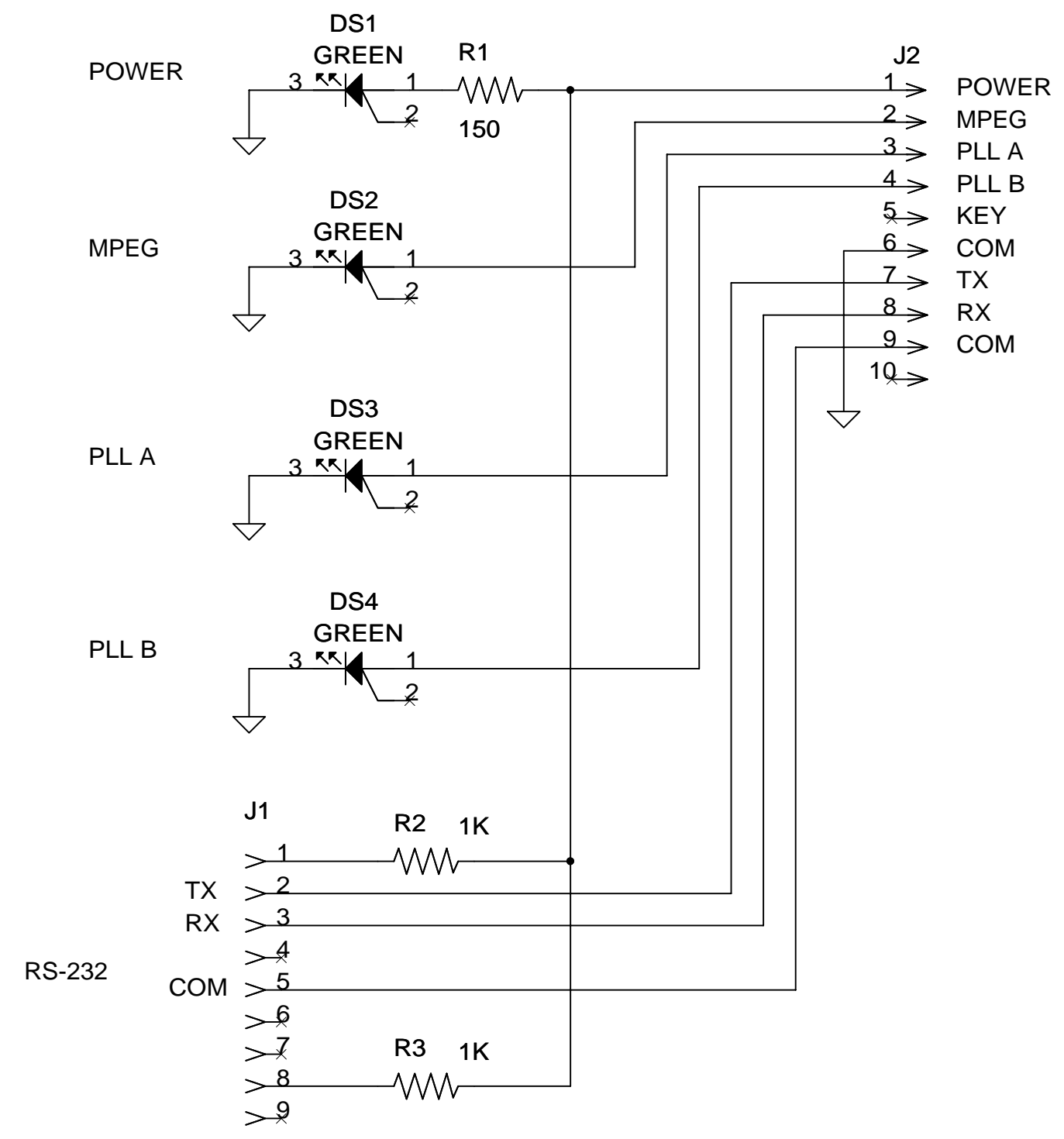
NOTE: ALL WIRE IS 22 AWG UNLESS NOTED OTHERWISE.



THIS PRINT IS THE PROPERTY OF AXCERA, IT SHALL NOT BE COPIED WITHOUT PERMISSION.		TITLE	
MATERIAL		I/C, DM8 MODULATOR TRAY	
DWN	SAK	1/26/06	DWG. NO.
CHK	LAJ	2/22/06	1306984
REL	LAJ	2/22/06	D
REV	ECD	DATE	APV
			SCALE --- SHEET 1 OF 1

A1-J38 WAS A1-J39. (SAK)			
DO	20112628	6/8/07	LAJ
ADDED FAN AND WRES. (SAK)			
CD	20112552	4/5/07	LAJ
CB1 WAS 1500-6403.			
TB1-4A WENT TO CB1-21.			
WIRE AT A9-SK1 & GND WERE 22 AWG.			
WIRE AT J3 WAS RG-179. (SAK)			
BO	20112192	6/23/06	LAJ
REV	ECD	DATE	APV

LAST USED REF.
DS4 J2 R3



APV	Axcera				REV	ECO	DATE	APV
DATE	THIS PRINT IS THE PROPERTY OF AXCERA, IT SHALL NOT BE COPIED WITHOUT PERMISSION			TITLE SCHEMATIC, FRONT PANEL BRD., DM8-R (1307112)				
ECO	MATERIAL			DWN	LAJ	2/22/06	DWG. NO.	REV
REV	FINISH			CHK	LAJ	2/24/06	1307113	A0
	-----			REL	LAJ	2/24/06	C	SCALE --- SHEET 1 OF 1