

FPGA A - DPLL, S310, SYMBOL BASED CLOCK DISTRIBUTION

REV	RCO	DATE	APV
1			

**Axtera**

THIS DRAWING IS THE PROPERTY OF AXTERA. IT SHALL NOT BE REPRODUCED WITHOUT PERMISSION.

TITLE: SCHEMATIC, VSB BOARD, AXCITER (1305066)

QVAL	DR	32406	ISSUE NO.	REV.
			1305067	R0

DATE: 10/11/07

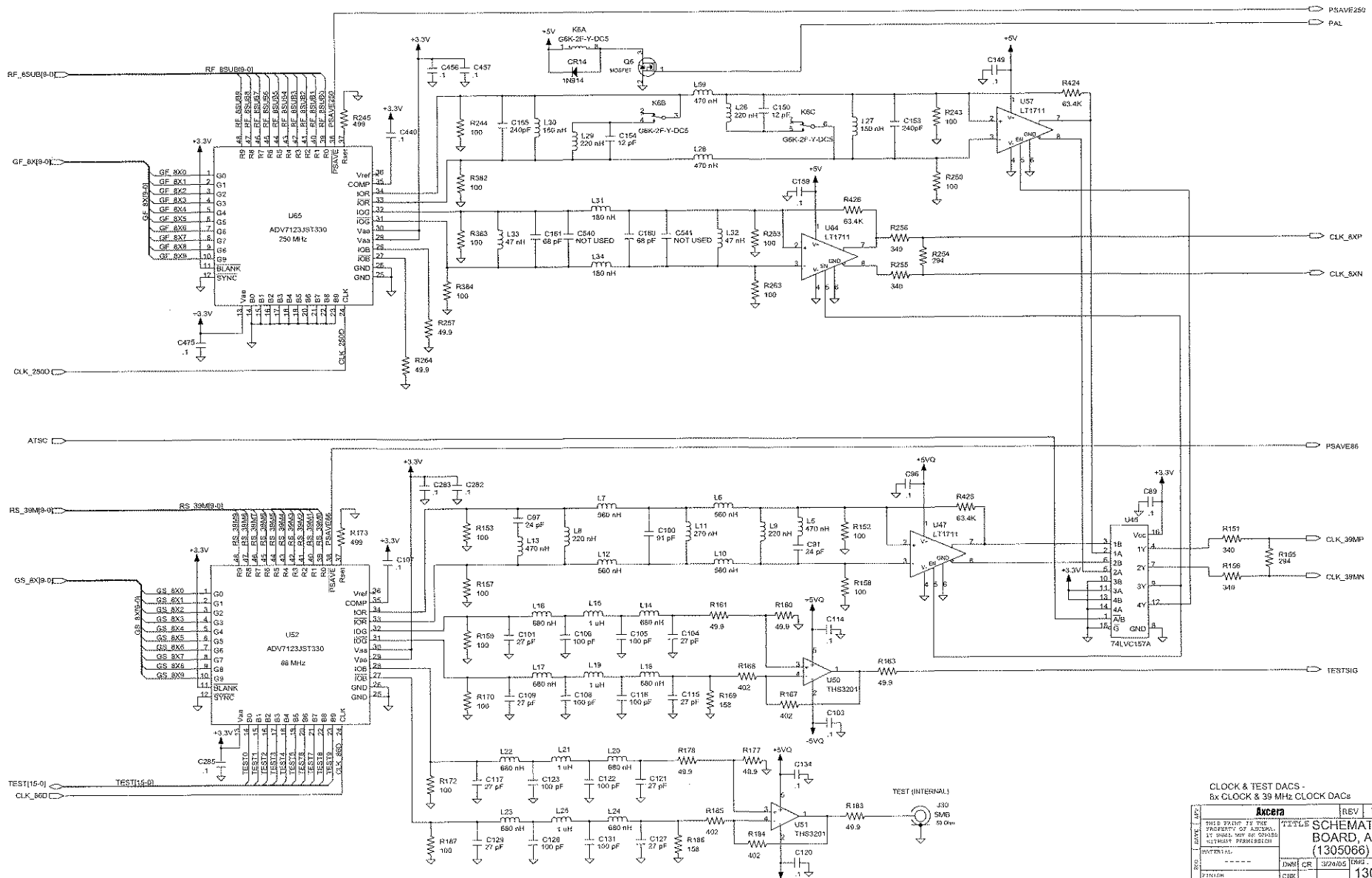
DESIGNER: [REDACTED]

CHECKED: [REDACTED]

DATE: [REDACTED]

REV: [REDACTED]

SHEET 4 OF 26



CLOCK & TEST DACS -  
8x CLOCK & 39 MHz CLOCK DACS

REV	ECO	DATE	APP
<b>ANALOG</b>			
TITLE SCHEMATIC, VSB BOARD, AXCITER (1305066)			
DATE	DESIGNER	CR	DATE
-----	-----	3/29/05	DRG, INC.
-----	-----	1305067	RO
-----	-----	D	SCALE 1 OF 28

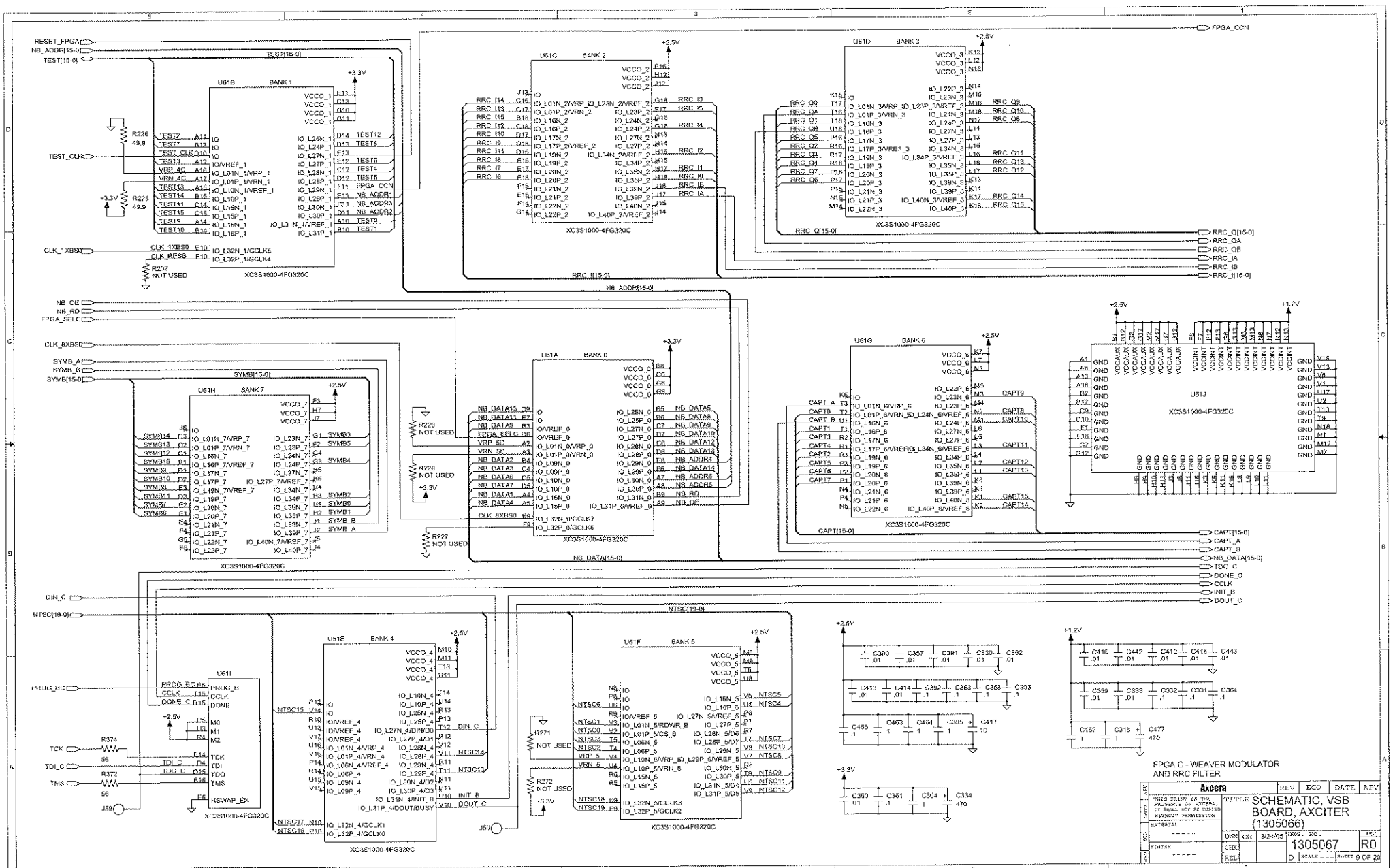










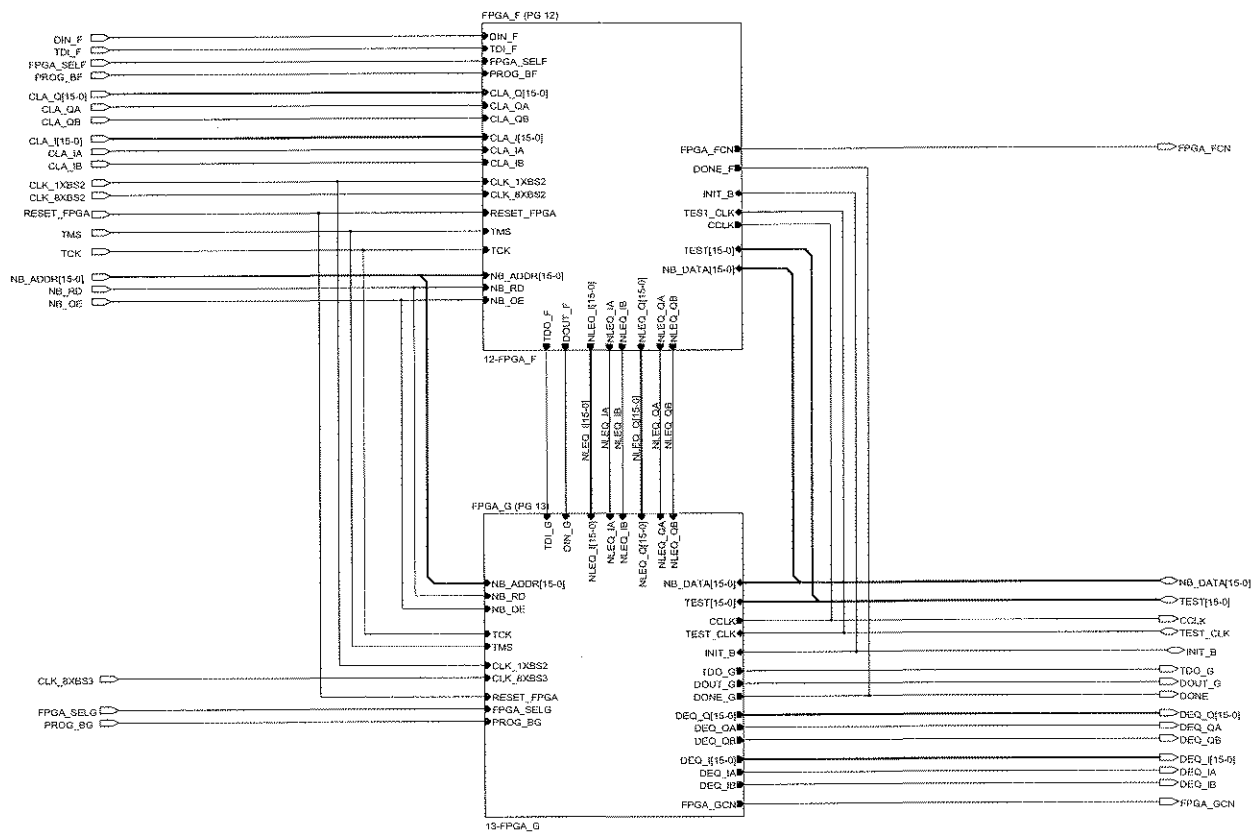


**FPGA C - WEAVER MODULATOR AND RRC FILTER**

<b>Acerra</b>		REV	ECO	DATE	APV
THIS DRAWING IS THE PROPERTY OF ACERRA. IT SHALL NOT BE COPIED WITHOUT PERMISSION.		<b>SCHEMATIC, VSB BOARD, AXCIITER (1305066)</b>			
DATE	REV	CHK	3/24/05	DRG. NO.	REV.
DATE	REV	CHK	1305067	1305067	RO
DATE	REV	CHK		D	SCALE

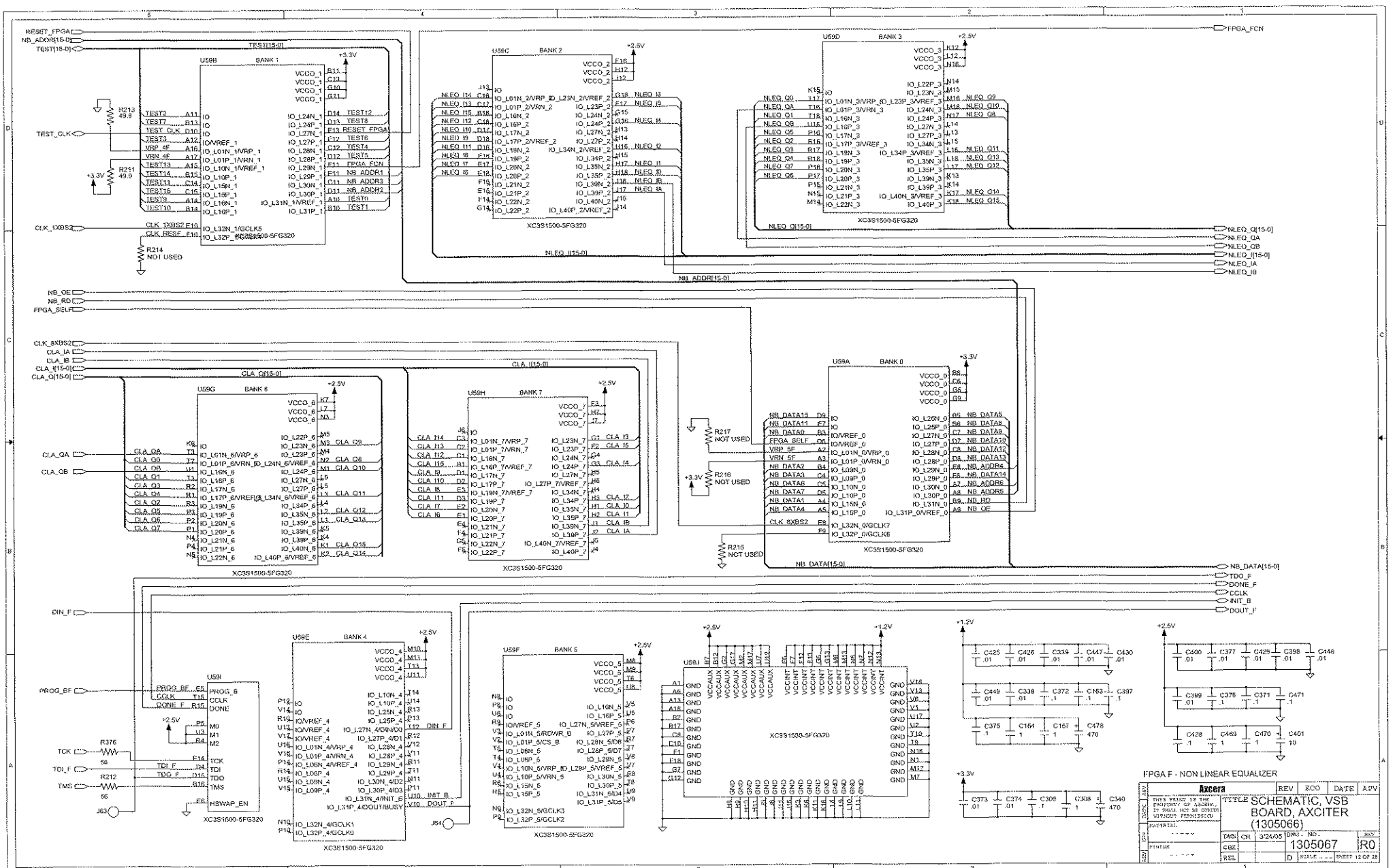
SHEET 9 OF 28



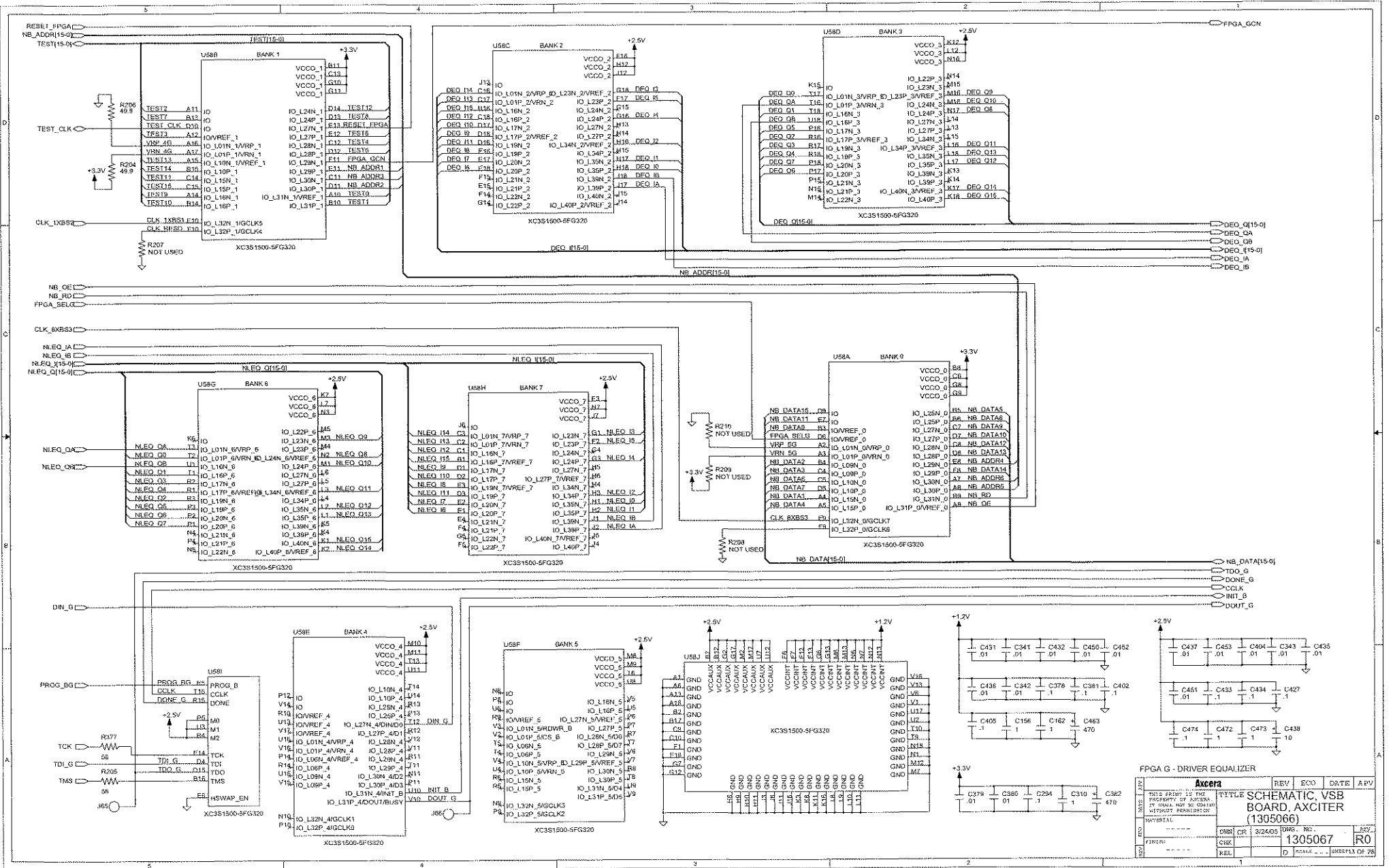


MODULE3  
NON LINEAR EQUALIZER & DRIVER EQUALIZER

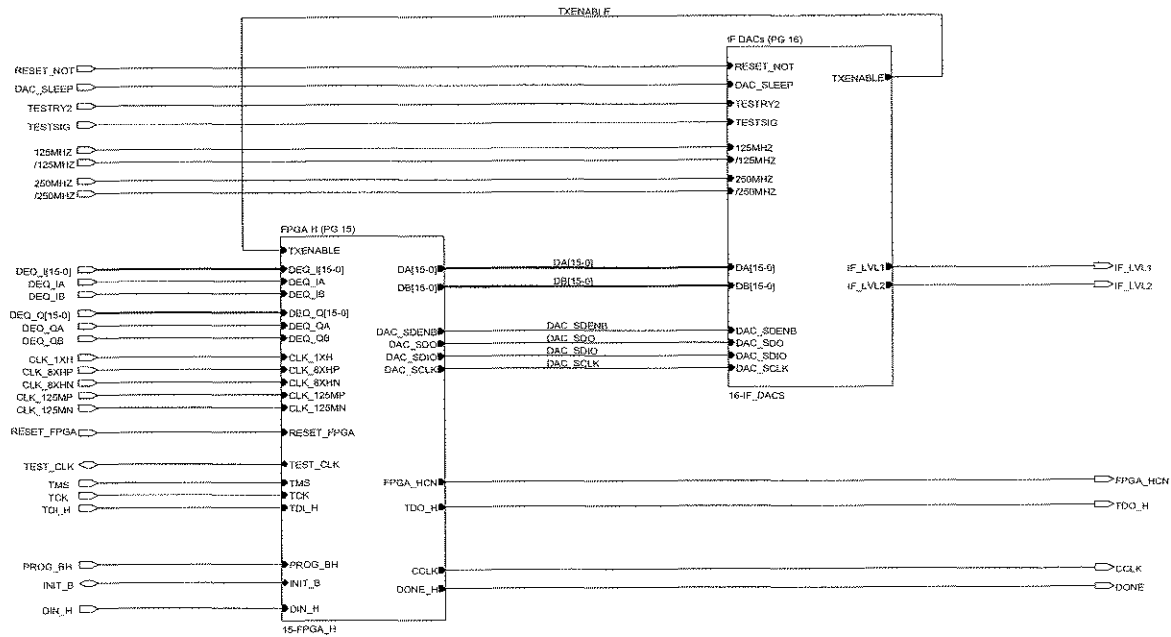
Axcera		REV	ECO	DATE	REV
PROPERTY OF AXCERA IT SHALL NOT BE COPIED WITHOUT PERMISSION					
TITLE		SCHEMATIC, VSB BOARD, AXCITER (1305066)			
DRW	DR	3/24/05	Dwg. NO.		REV
CHK	DR		1305067		R0
REL	DR		D 0246		REV01 OF 28



FPGA F - NON LINEAR EQUALIZER					
Xilinx		REV	RCO	DATE	APPV
THIS PRINT IS THE PROPERTY OF XILINX. IT IS NOT TO BE COPIED, REPRODUCED, OR TRANSMITTED IN ANY FORM OR BY ANY MEANS, WITHOUT THE EXPRESS WRITTEN PERMISSION OF XILINX.					
TITLE SCHEMATIC, VSB BOARD, AXCIATER (1305066)					
DATE	CR	22405	DRG. NO.	1305067	RO
DESIGNER	CHK		REV	D	REVISED
REVISED 12 OF 23					

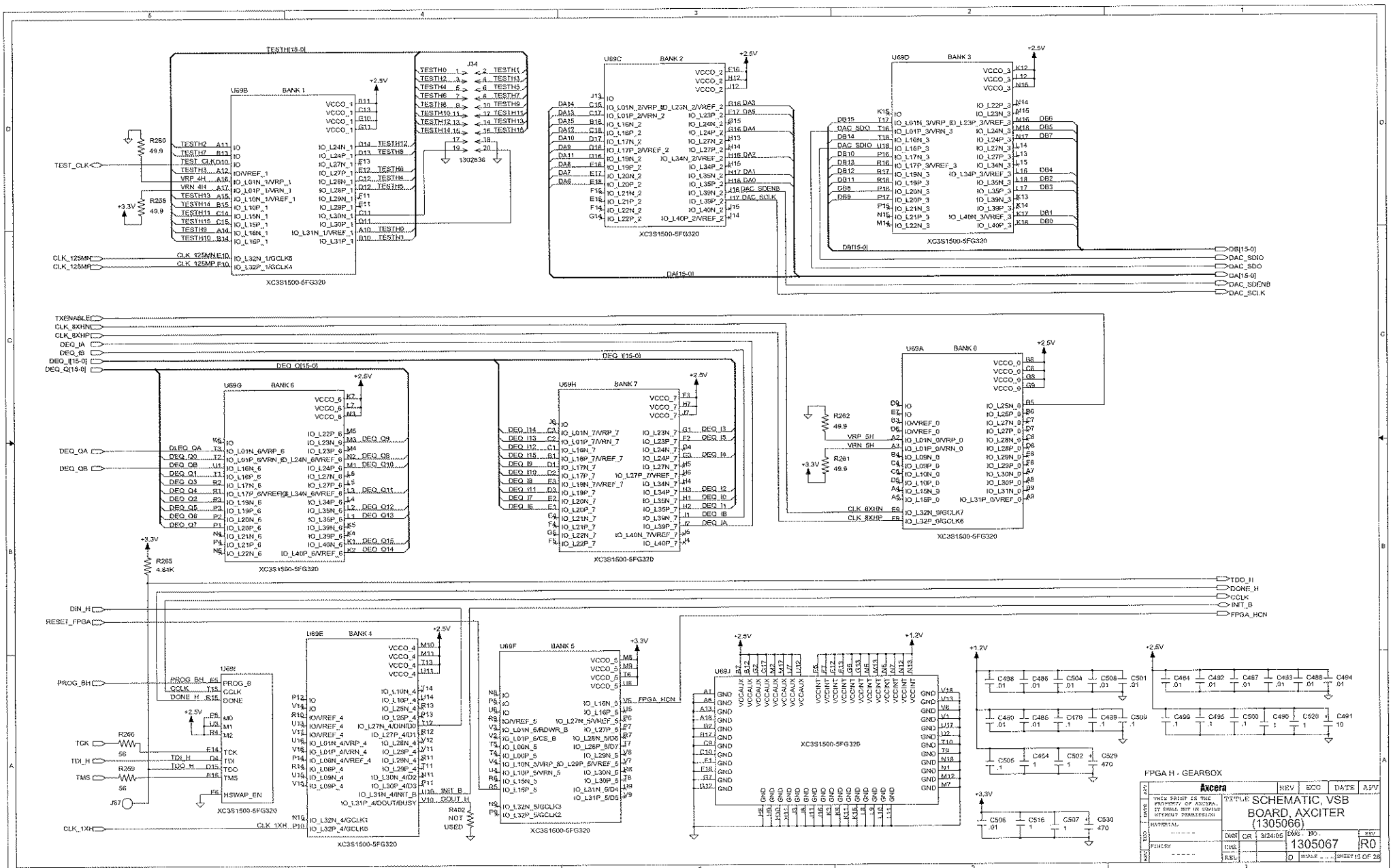


FPGA G - DRIVER EQUALIZER					
Axtera		REV	ECO	DATE	APV
TITLE SCHEMATIC, VSB BOARD, XCITER (1305066)					
CHG	CR	3/24/05	VERS. NO.	1305067	R0
DES	CHK		DATE		
APP	CHK		DATE		
DES	CHK		DATE		
APP	CHK		DATE		



MODULE4  
GEARBOX & IF DAC

Axcera		REV	ECO	DATE	APV
THIS SCRIPT IS THE PROPERTY OF AXCERA. IT SHALL NOT BE COPIED WITHOUT PERMISSION.		TITLE SCHEMATIC, VSB BOARD, AXCITER (1305066)			
DATE	OR	3/24/05	DES. NO.	1305067	REV
FILE	REV		D	200410...	ENTER 14 OF 28

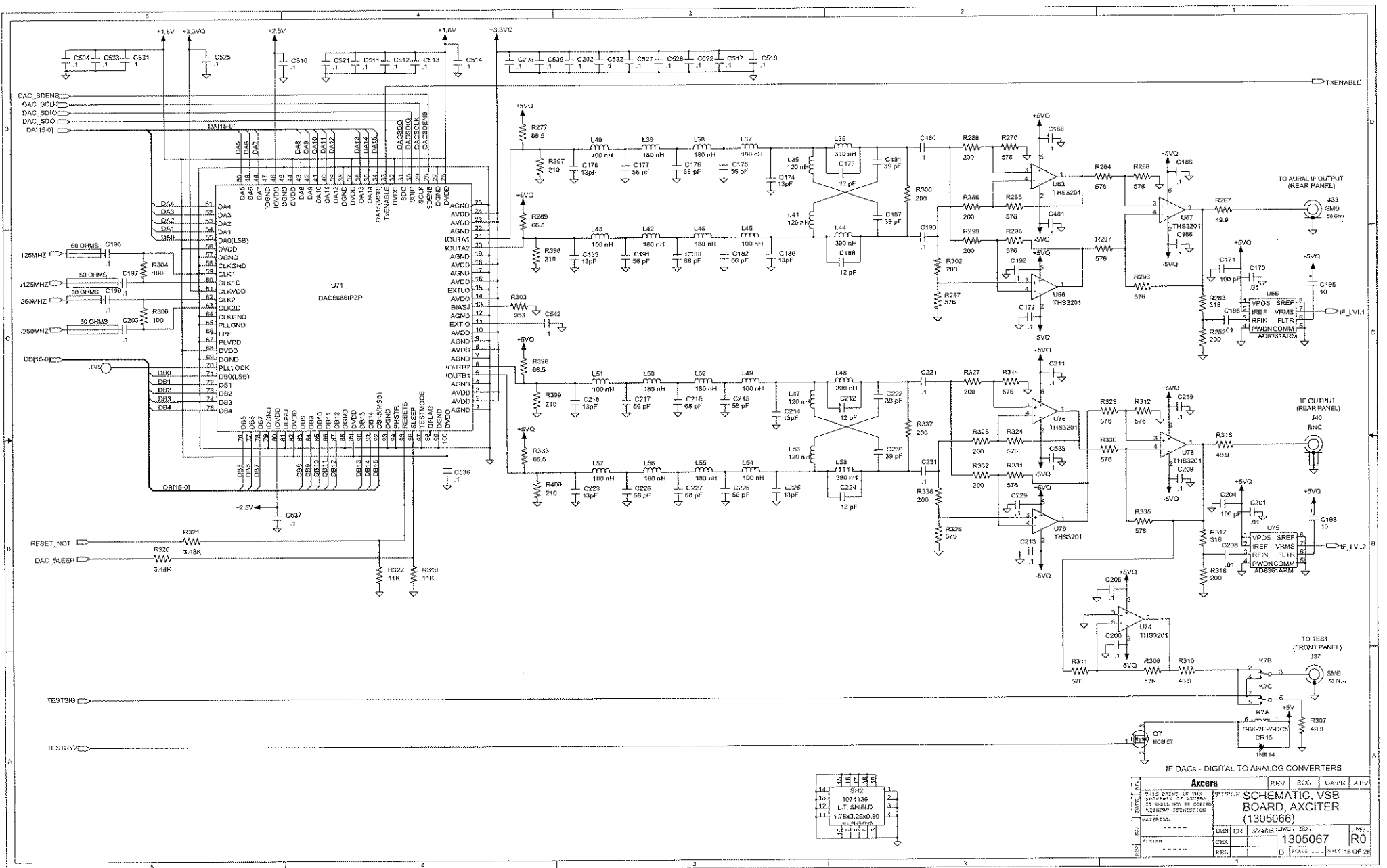


REV	ECO	DATE	APPV
1			

THIS DRAWING IS THE PROPERTY OF ACECRA. IT SHALL NOT BE COPIED, REPRODUCED, TRANSMITTED OR IN ANY MANNER DISCLOSED TO ANY OTHER PARTY WITHOUT THE WRITTEN PERMISSION OF ACECRA.

DATE	CR	BY	NO.	REV
1305067				

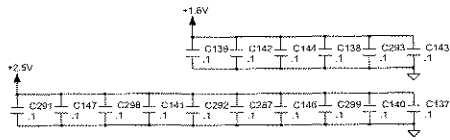
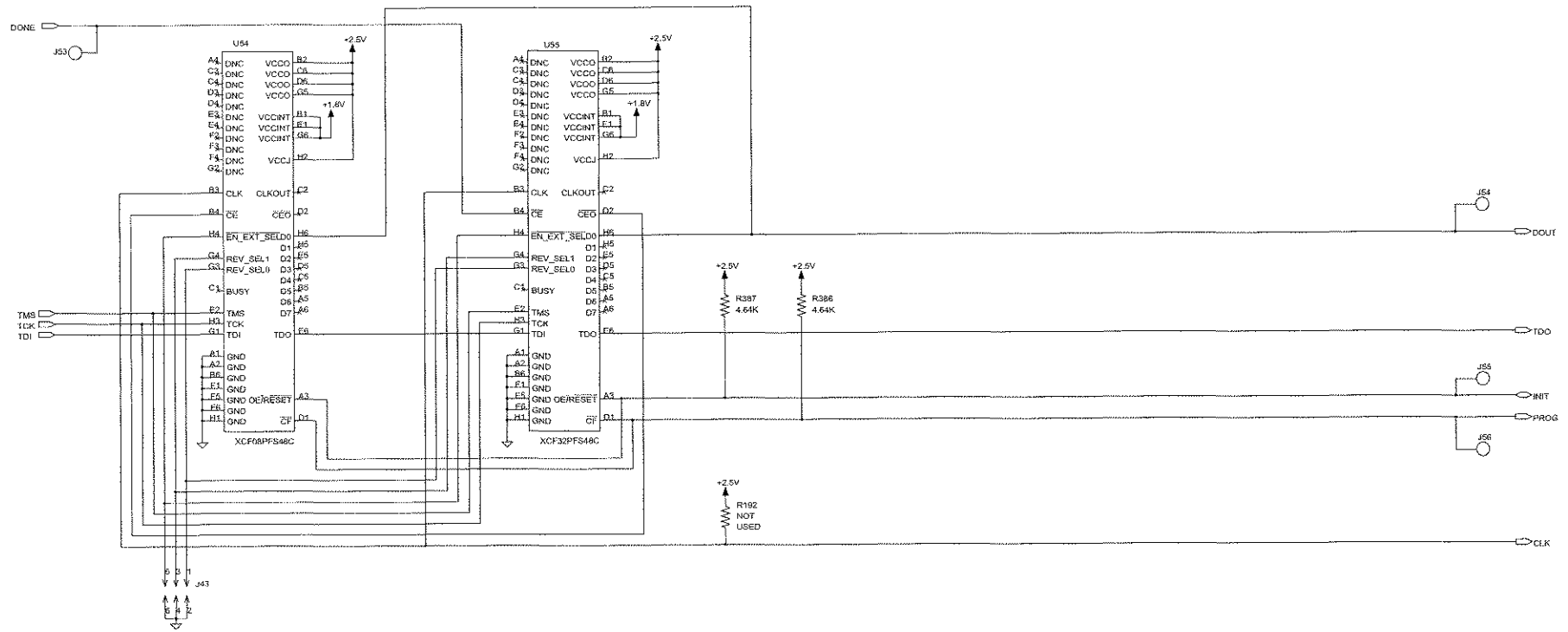
SHEET 15 OF 28



IF DACs - DIGITAL TO ANALOG CONVERTERS

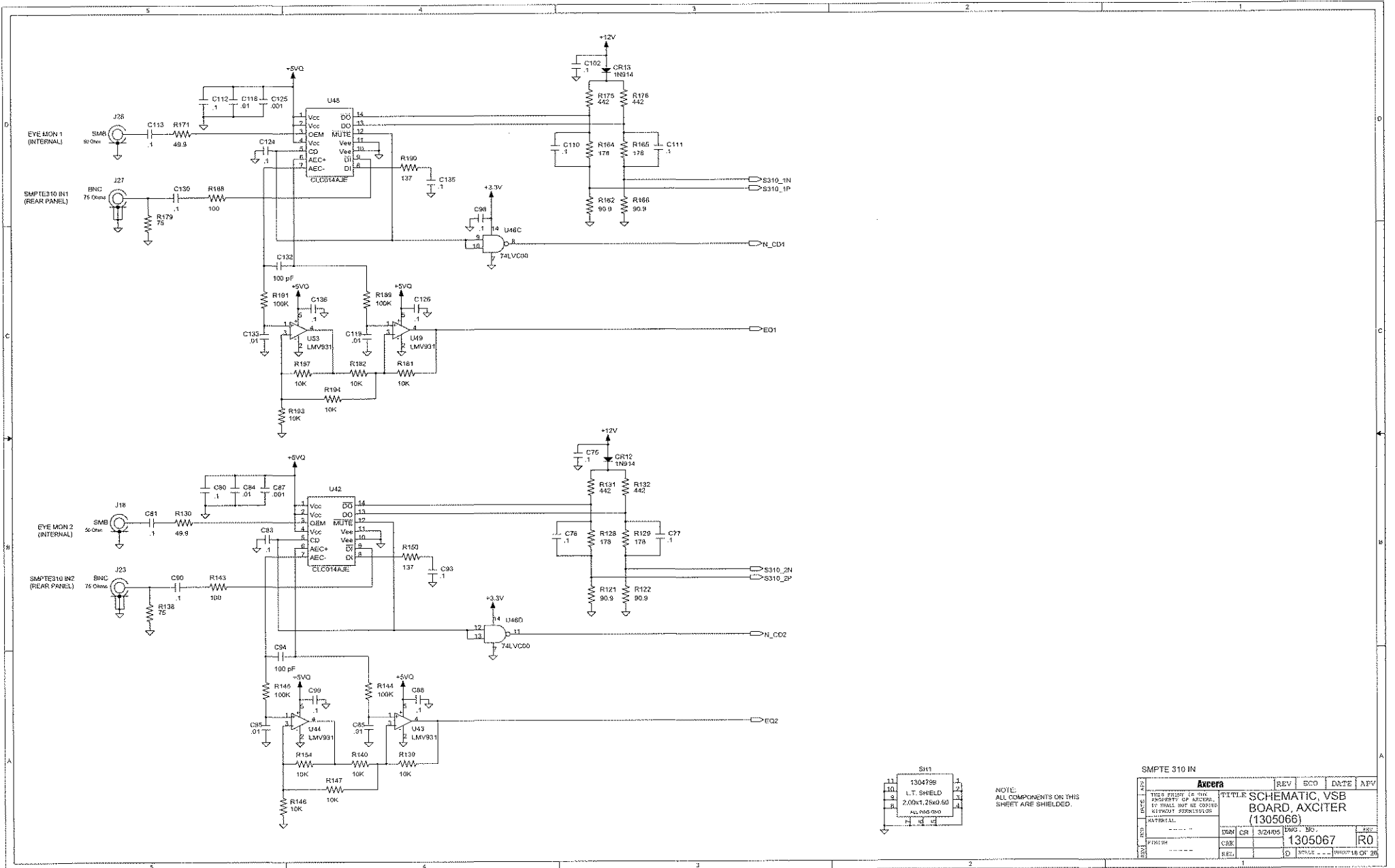
REV	ECO	DATE	APV
13	1074128		
12	L.T. SNEELD		
11	1.75x1.25x0.80		
TITLE: SCHEMATIC, VSB BOARD, AXcITER (1305066)			
DESIGN	CHK	CR	3/24/05
DESIGNER	CHK	CR	1305067
DATE	3/24/05	DESIGN	3/0
BY	1305067	REV	R0
D. ESCALON SHEET 16 OF 26			



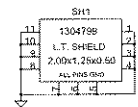


PLATFORM FLASH - EPGA CONFIGURATION FLASH

REV	ECO	DATE	APV
<b>Axtera</b>			
THIS PRINT IS THE PROPERTY OF AXTERA. IT SHALL NOT BE COPIED WITHOUT REPERMITS.			
TITLE		SCHEMATIC, VSB BOARD, XJC1TER (1305066)	
MATERIAL	QTY	REV.	REV
-----	CHR	3/24/05	R0
PHOTO	CHR	1305067	R0
-----	REL	D	SCALE: 1:1 SHEET 17 OF 28



NOTE:  
ALL COMPONENTS ON THIS  
SHEET ARE SHIELDED.

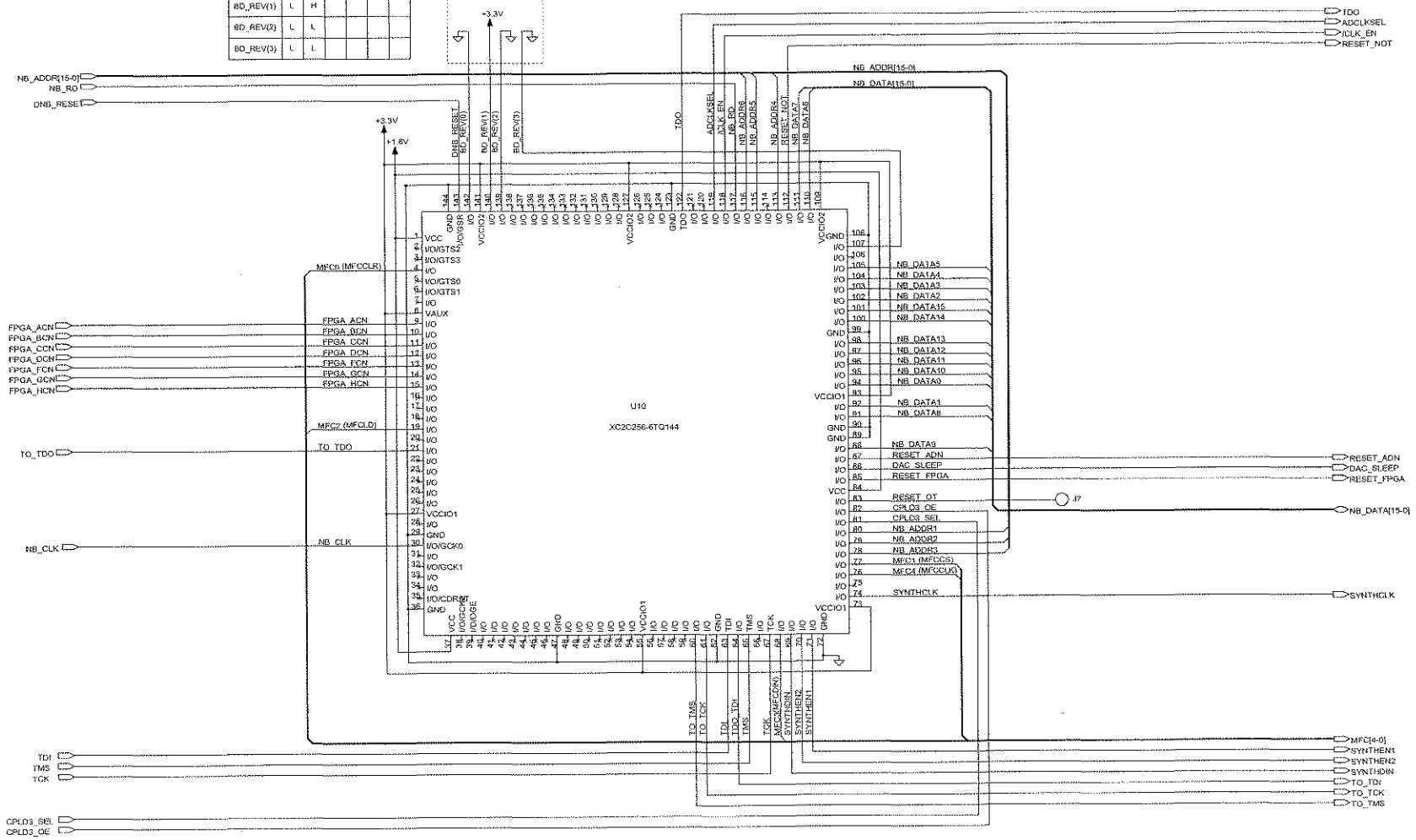


SMPT310 IN		REV	ECO	DATE	APV
Axtera					
TITLE SCHEMATIC, VSB BOARD, AXCITER (1305066)					
DESIGN	CHK	3/24/05	100%	REV	
1305067	R0				
REV	10	10/11/05		DESIGNER	CP_25

BOARD REVISION TABLE

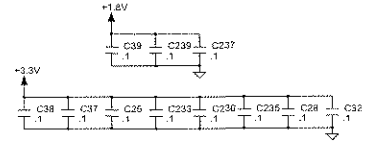
PINS	PCB REVISION					
	D6	E6	F6	G6	H6	J6
RD_REV(0)	H	L				
RD_REV(1)	L	H				
RD_REV(2)	L	L				
RD_REV(3)	L	L				

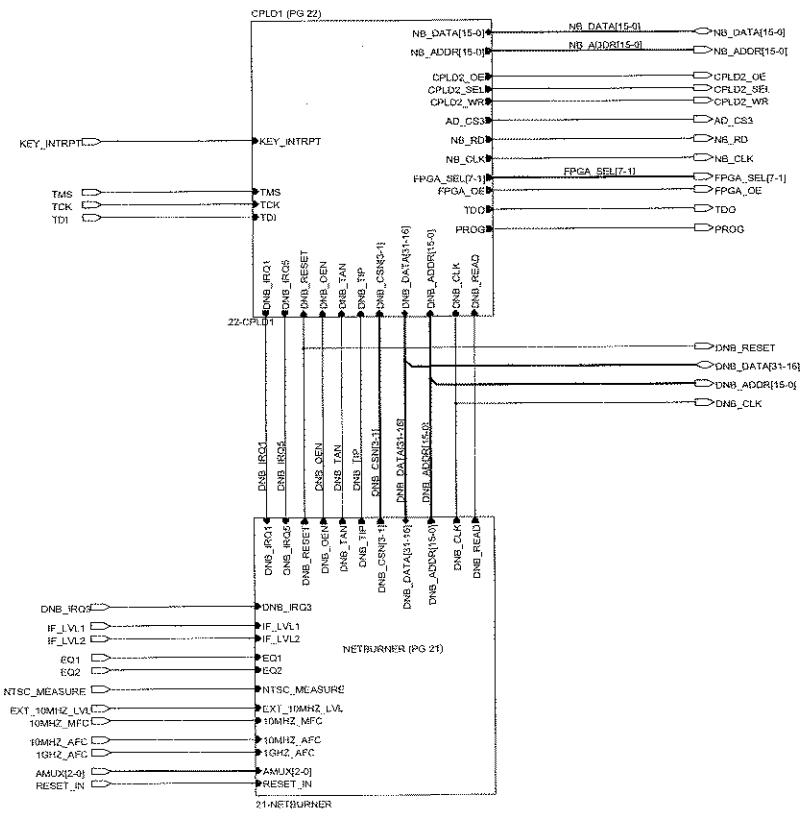
NOTE: BOARD REVISION IDENTIFIER CHANGE PIN CONFIGURATION AT EACH BOARD REVISION.



CPLD3 - UNIVERSAL LOADER FOR JTAG, SYNTHESIZERS, DAC & MANUAL FREQUENCY CONTROL

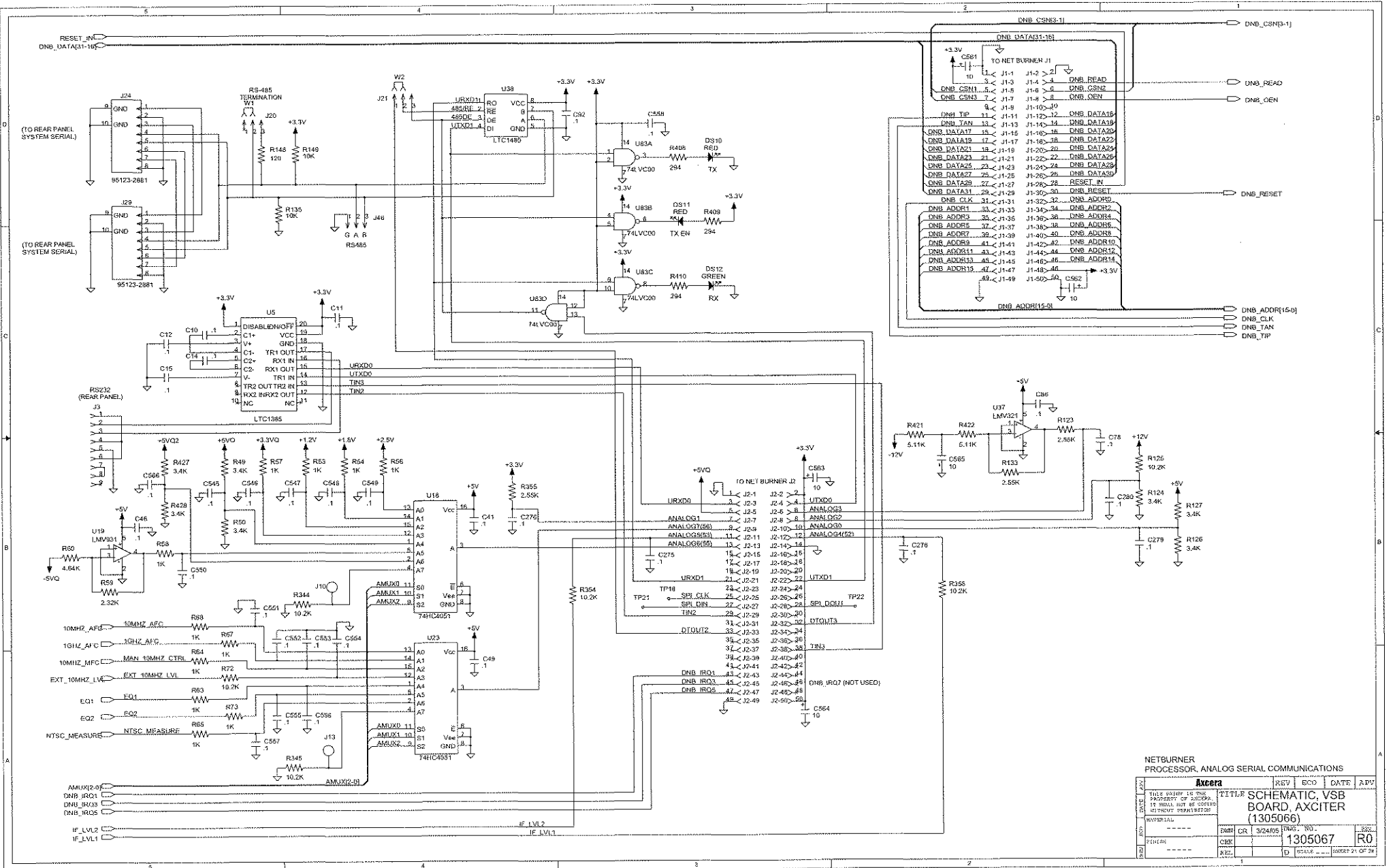
Axtera		REV	ECO	DATE	APV
THIS DRAWING IS THE PROPERTY OF AXTERA. IT SHALL NOT BE COPIED, REPRODUCED, OR TRANSMITTED IN ANY FORM OR BY ANY MEANS, ELECTRONIC OR MECHANICAL, INCLUDING PHOTOCOPYING, RECORDING, OR BY ANY INFORMATION STORAGE AND RETRIEVAL SYSTEM.					
TITLE		SCHEMATIC, VSB BOARD, AXCITER (1305066)			
DESIGNER	CR	3/24/02	DWS	NO.	REV
CHECKED				1305067	R0
DATE					
BY					
NO.					



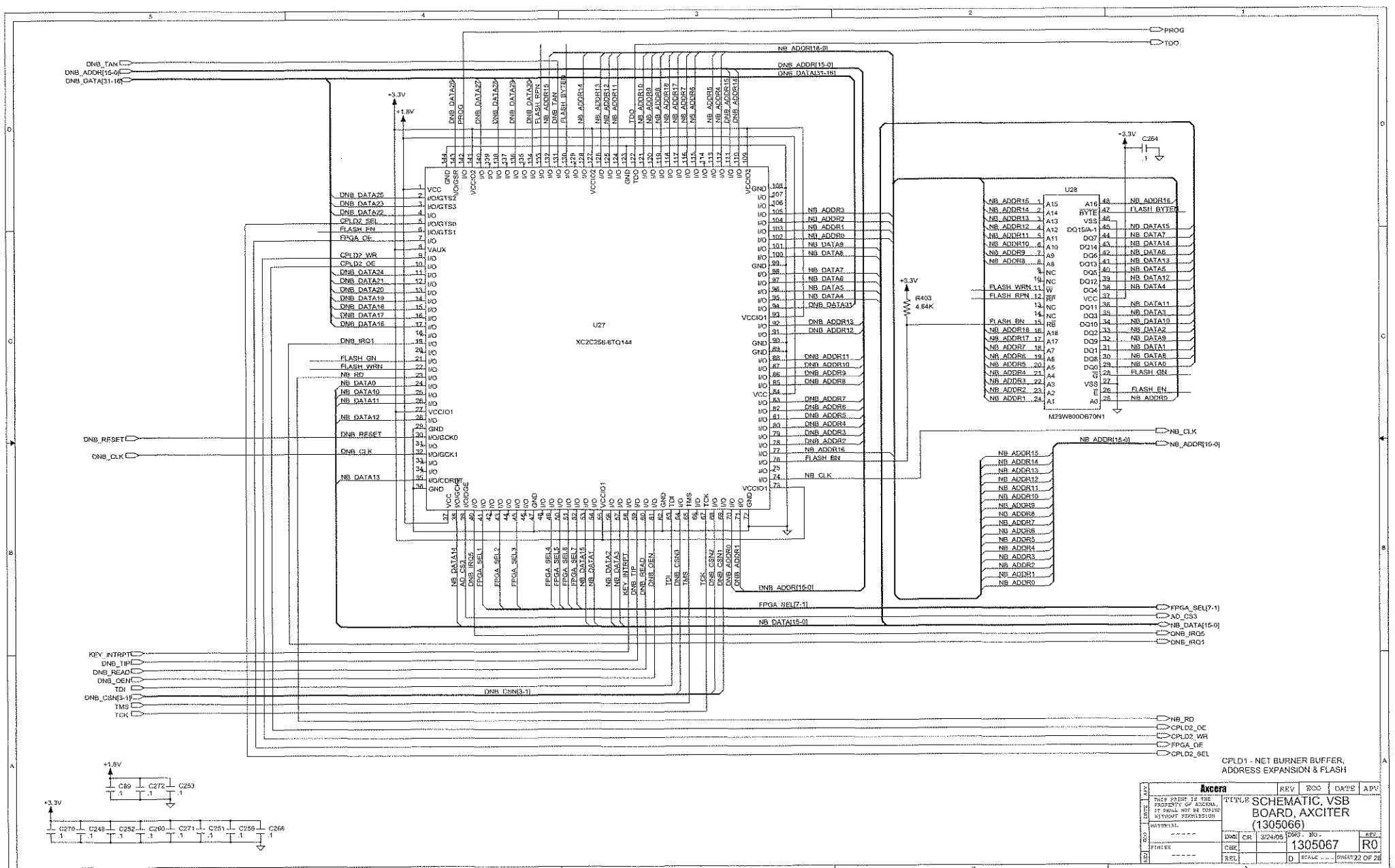


MODULE 5 - NETBURNER & NETBURNER BUFFER (CPLD 1)

Axtera		REV	ECO	DATE	APPV
THIS PRINT IS THE PROPERTY OF AXTERA. IT SHALL NOT BE REPRODUCED WITHOUT PERMISSION.		TITLE SCHEMATIC, VSB BOARD, AXCITER (1305066)			
DATE	DESIGNER	CHKD	CR	3/24/06	DRG. NO.
1305066					
REV	1				
DATE	DESIGNER	CHKD	CR	3/24/06	DRG. NO.
1305066					
REV	1				
DATE	DESIGNER	CHKD	CR	3/24/06	DRG. NO.
1305066					
REV	1				

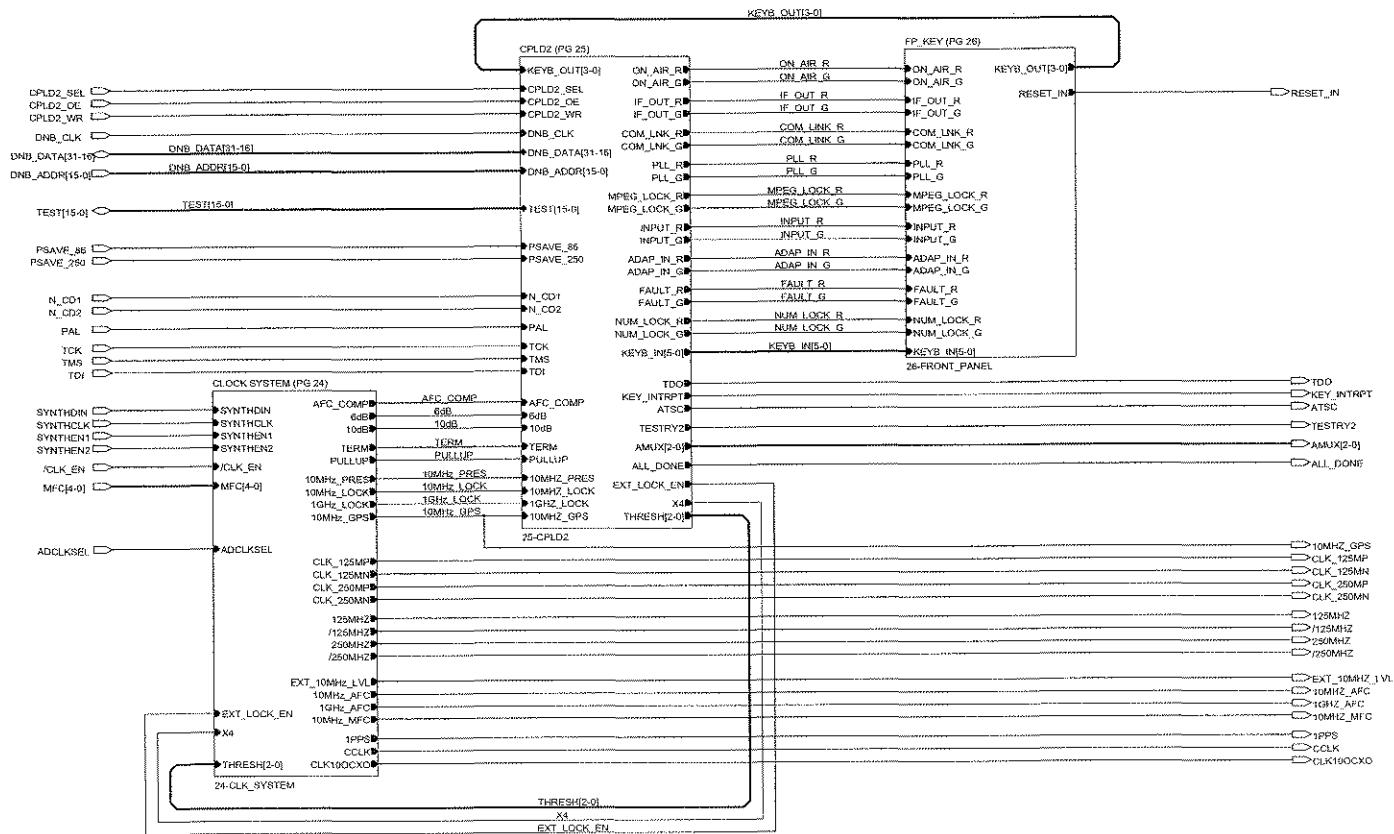


Axtera		REV	ECO	DATE	ADV
THIS DRAWING IS THE PROPERTY OF AXTERA. IT SHALL NOT BE COPIED OR REPRODUCED WITHOUT PERMISSION.					
TITLE: SCHEMATIC, VSB BOARD, AXCITER (1305066)					
DWG	CR	3/24/05	DWG. NO.	1305067	
REV	1	ISSUE	DATE	1/27/05	
PAGE 21 OF 21					



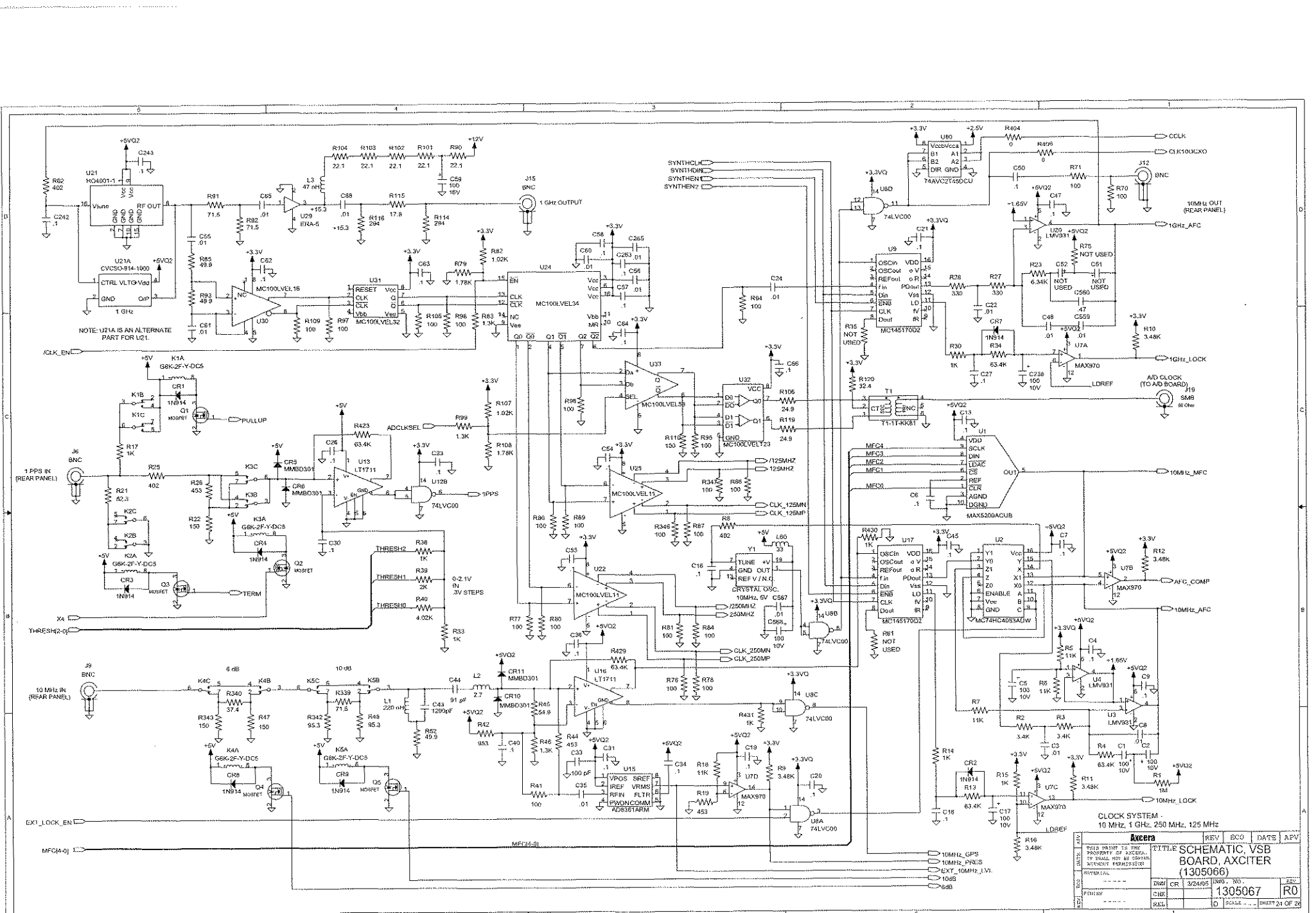
Xilinx		REV		BOO	DATE	ADU
DESIGN	1305067	CR	3/24/05	REV	NO.	REV
DATE	1305067	CHK		SCALE		REV
TIME						

TITLE: SCHEMATIC, VSB BOARD, AXCITER (1305066)  
 THIS SCHEMATIC IS THE PROPERTY OF ACCERA. IT SHALL NOT BE COPIED, REPRODUCED, OR TRANSMITTED IN ANY FORM OR BY ANY MEANS, ELECTRONIC OR MECHANICAL, INCLUDING PHOTOCOPYING, RECORDING, OR BY ANY INFORMATION STORAGE AND RETRIEVAL SYSTEM.  
 DATE: 1305067  
 TIME: 1305067  
 SCALE: 1:1  
 SHEET: 22 OF 28



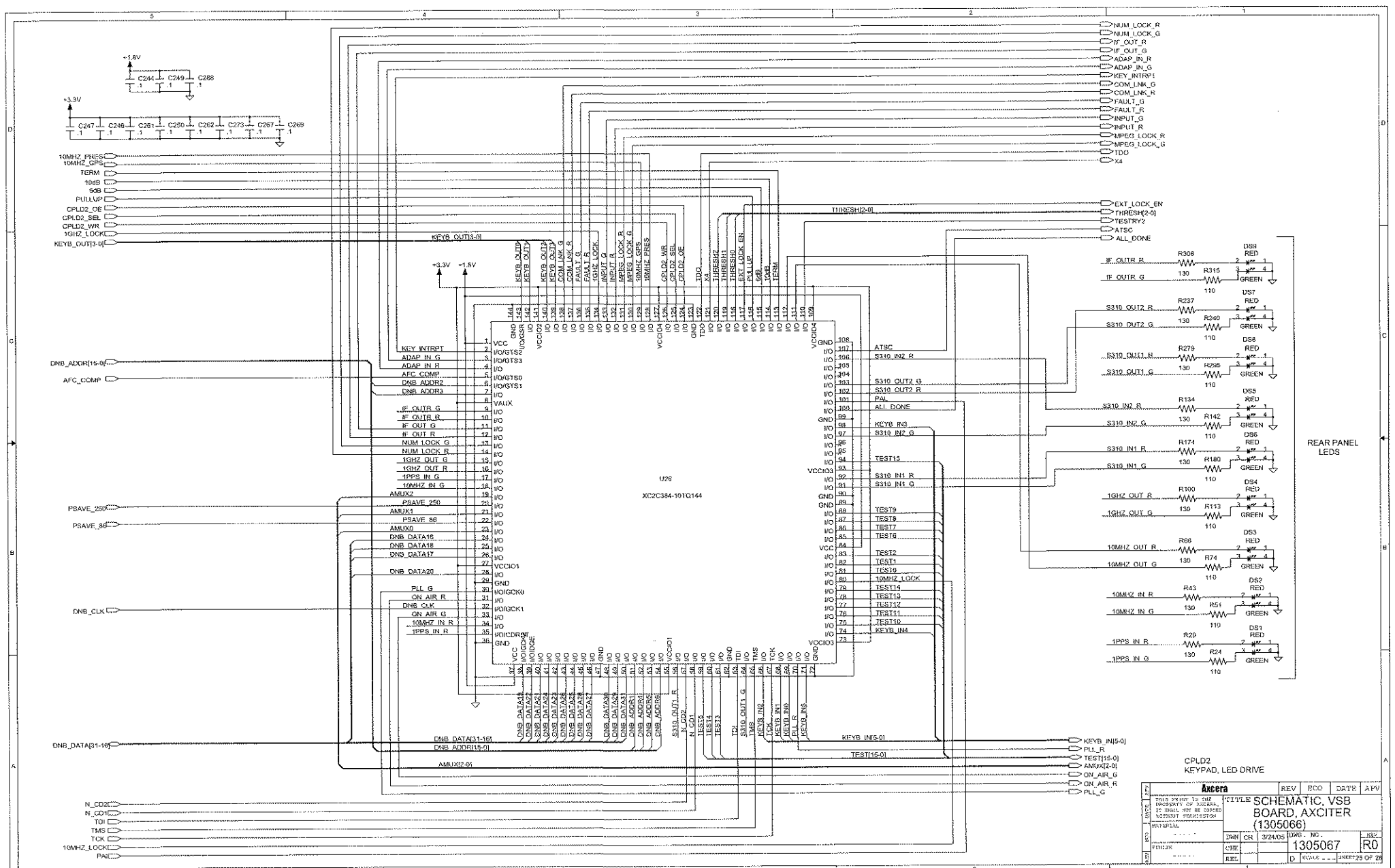
MODULE 8 - FRONT PANEL INTERFACE.  
LED DRIVE, 10 MHz BASED CLOCK DISTRIBUTION

REV	ECO	DATE	ADV
1			
<b>Accera</b>			
TITLE: SCHEMATIC, VSB BOARD, AXCITER (1305066)			
DESIGNER	CHKD	DATE	REV
1305067		1305067	1
D:\proj\1305067\1305067.dwg			



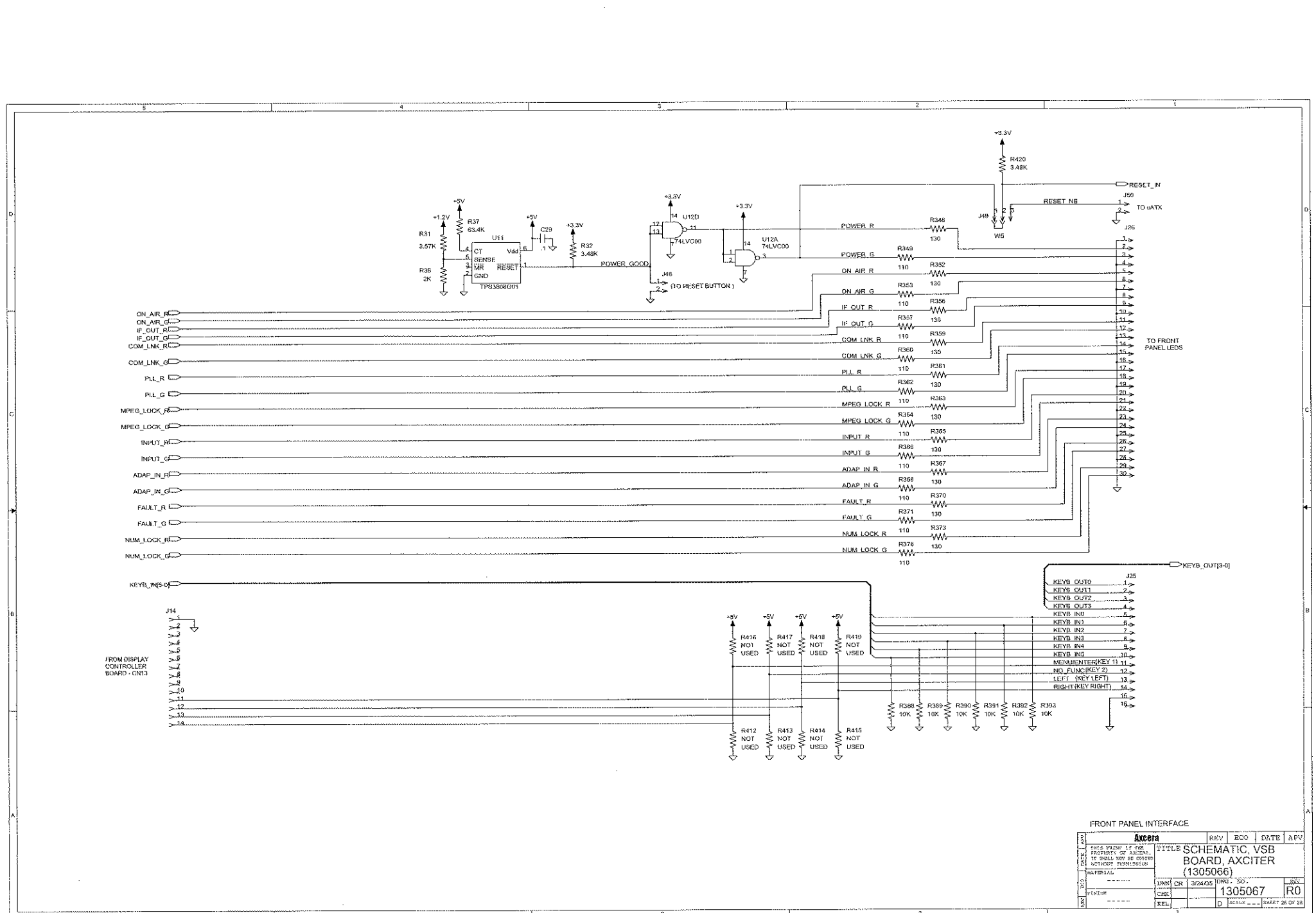
CLOCK SYSTEM -		REV		ECO		DATE		APV	
10 MHz, 1 GHz, 250 MHz, 125 MHz		1		1		1305066		R0	
<p><b>Avicera</b></p> <p>THIS PRINT IS THE PROPERTY OF AVICERA. IT SHALL NOT BE COPIED, REPRODUCED, OR TRANSMITTED IN ANY FORM OR BY ANY MEANS, ELECTRONIC OR MECHANICAL, INCLUDING PHOTOCOPYING, RECORDING, OR BY ANY INFORMATION STORAGE AND RETRIEVAL SYSTEM.</p> <p>DATE: 11/15/05            DESIGNED BY: CR            CHECKED BY: 3/24/05            DRAWN BY: WRS, WGO            PART NO: 1305066            SHEET 29 OF 29</p>									





CPLD2  
KEYPAD, LED DRIVE

Axcera		REV	ECO	DATE	APV
THIS DRAWING IS THE PROPERTY OF AXCERA. IT SHALL NOT BE COPIED OR REPRODUCED WITHOUT PERMISSION.					
TITLE		SCHEMATIC, VSB BOARD, ACXITER (1305066)			
DRAWN	CR	3/24/05	DWS. NO.		LSP
CHEK	CR		1305067		R0
REV			D		Sheet 23 of 28



FRONT PANEL INTERFACE

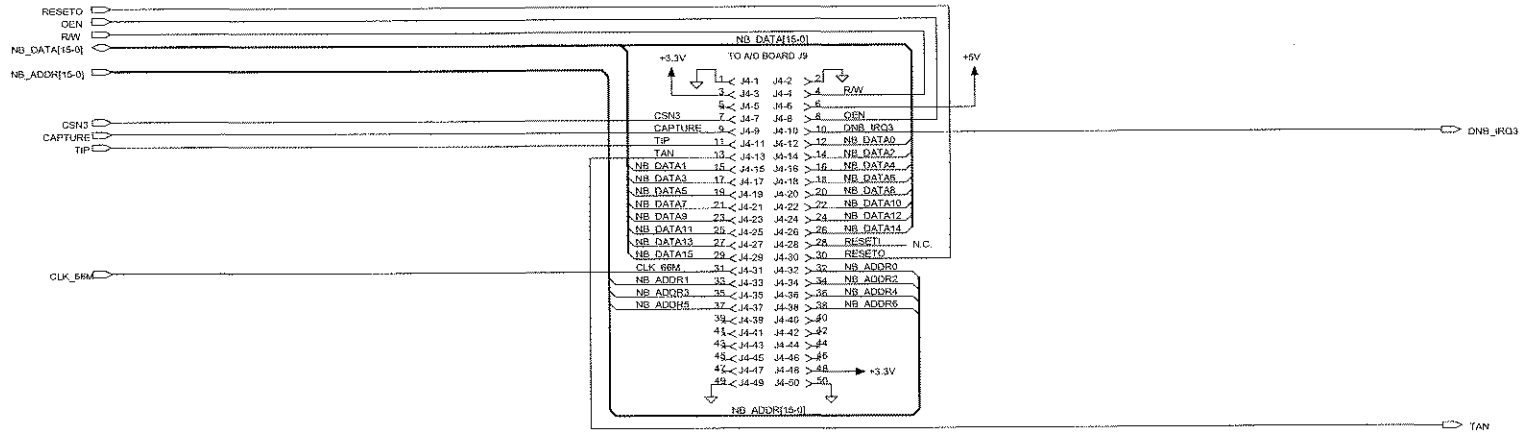
REV	ECO	DATE	APV
1			

THIS DRAWING IS THE PROPERTY OF AXICERA. IT SHALL NOT BE COPIED, REPRODUCED, OR TRANSMITTED IN ANY FORM OR BY ANY MEANS, ELECTRONIC OR MECHANICAL, INCLUDING PHOTOCOPYING, RECORDING, OR BY ANY INFORMATION STORAGE AND RETRIEVAL SYSTEM.

DATE	DESIGNER	DR	CHKD	DATE	REV
1305067					

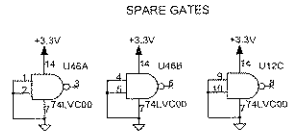
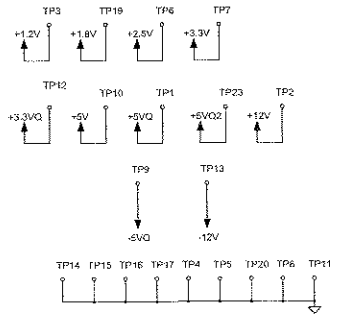
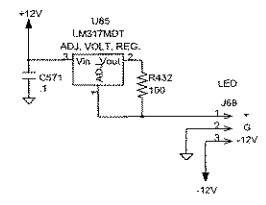
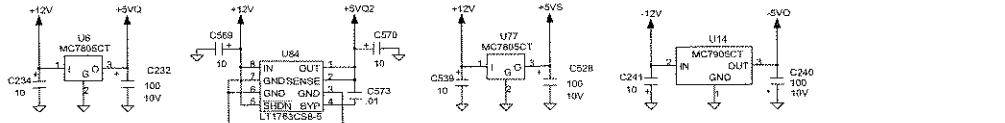
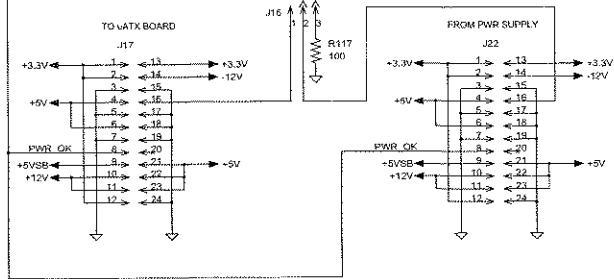
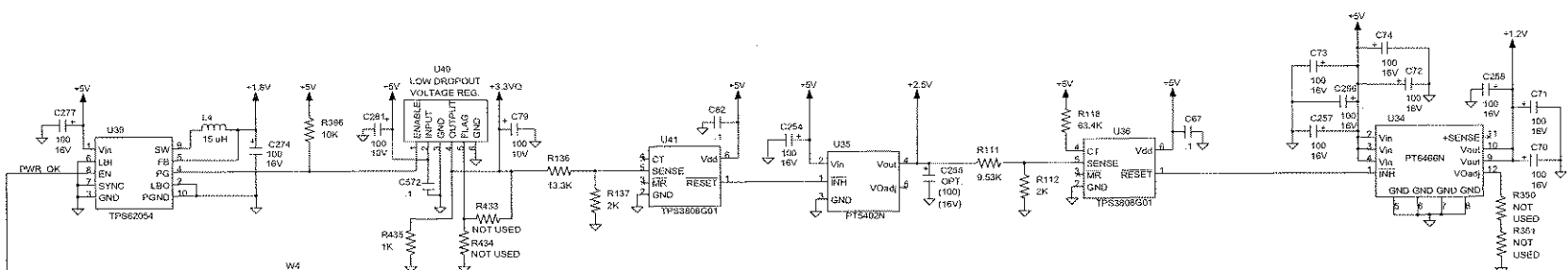
TITLE: SCHEMATIC, VSB BOARD, ACXITER (1305066)

SHEET 26 OF 28

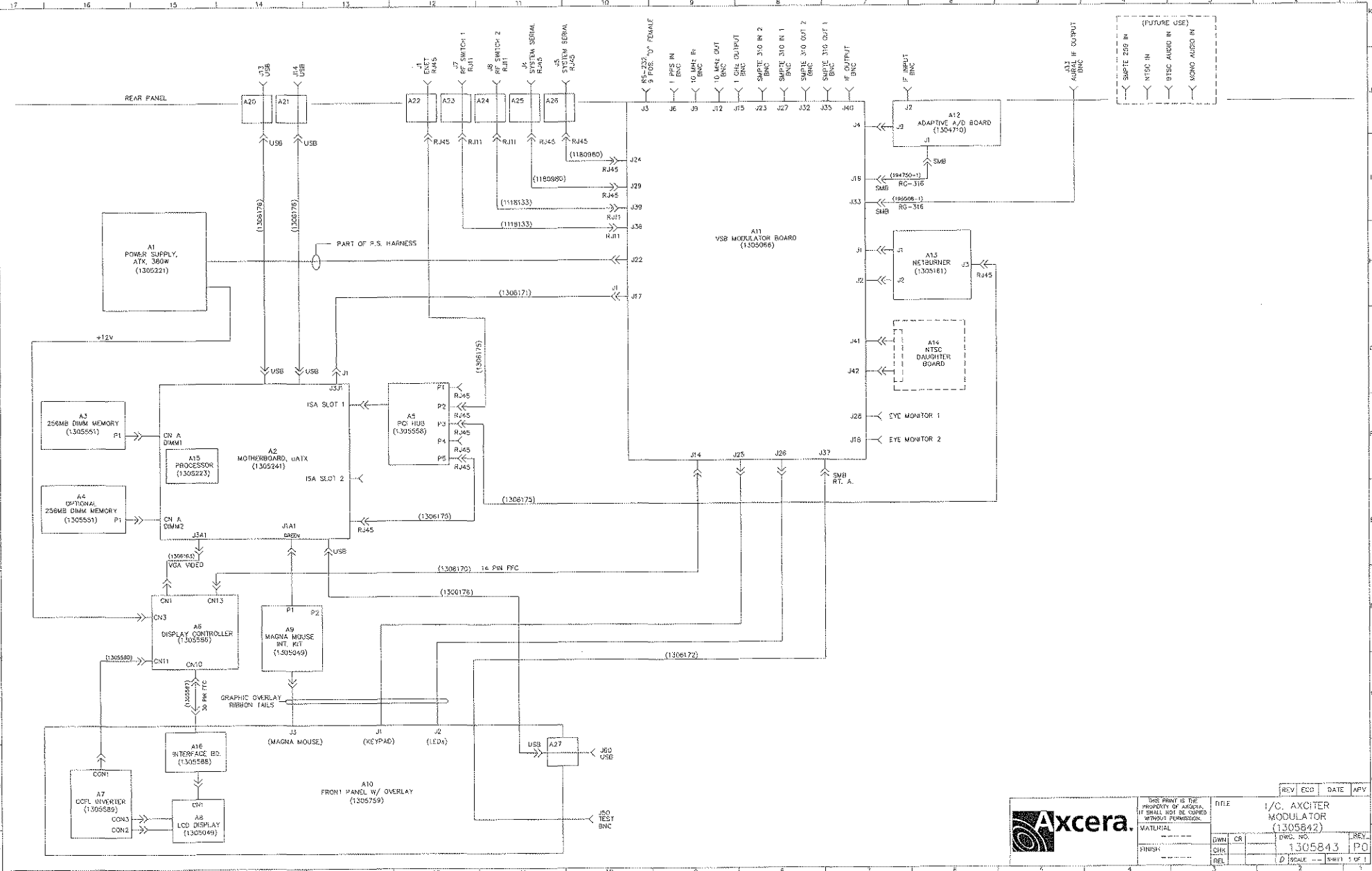


ADAPTIVE A/D BOARD INTERFACE

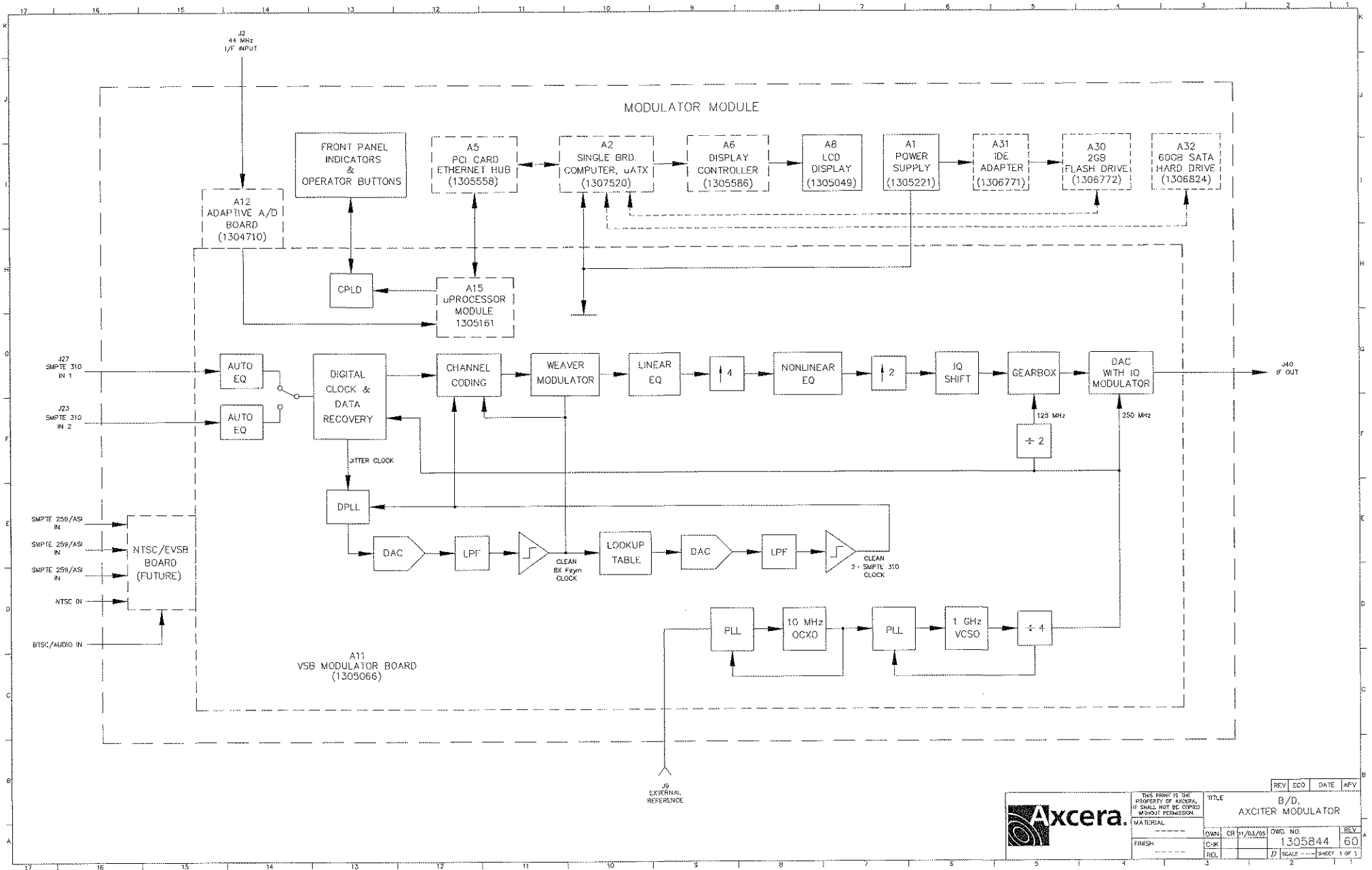
Axcepa		REV	ECO	DATE	APV
TITLE		SCHEMATIC, VSB BOARD, AXCITER (1305066)			
DRAWN		CHK	CR	3/24/06	DATE
CHECKED		CHK		1305067	REV
DESIGNED		DES		D	SHEET 27 OF 28



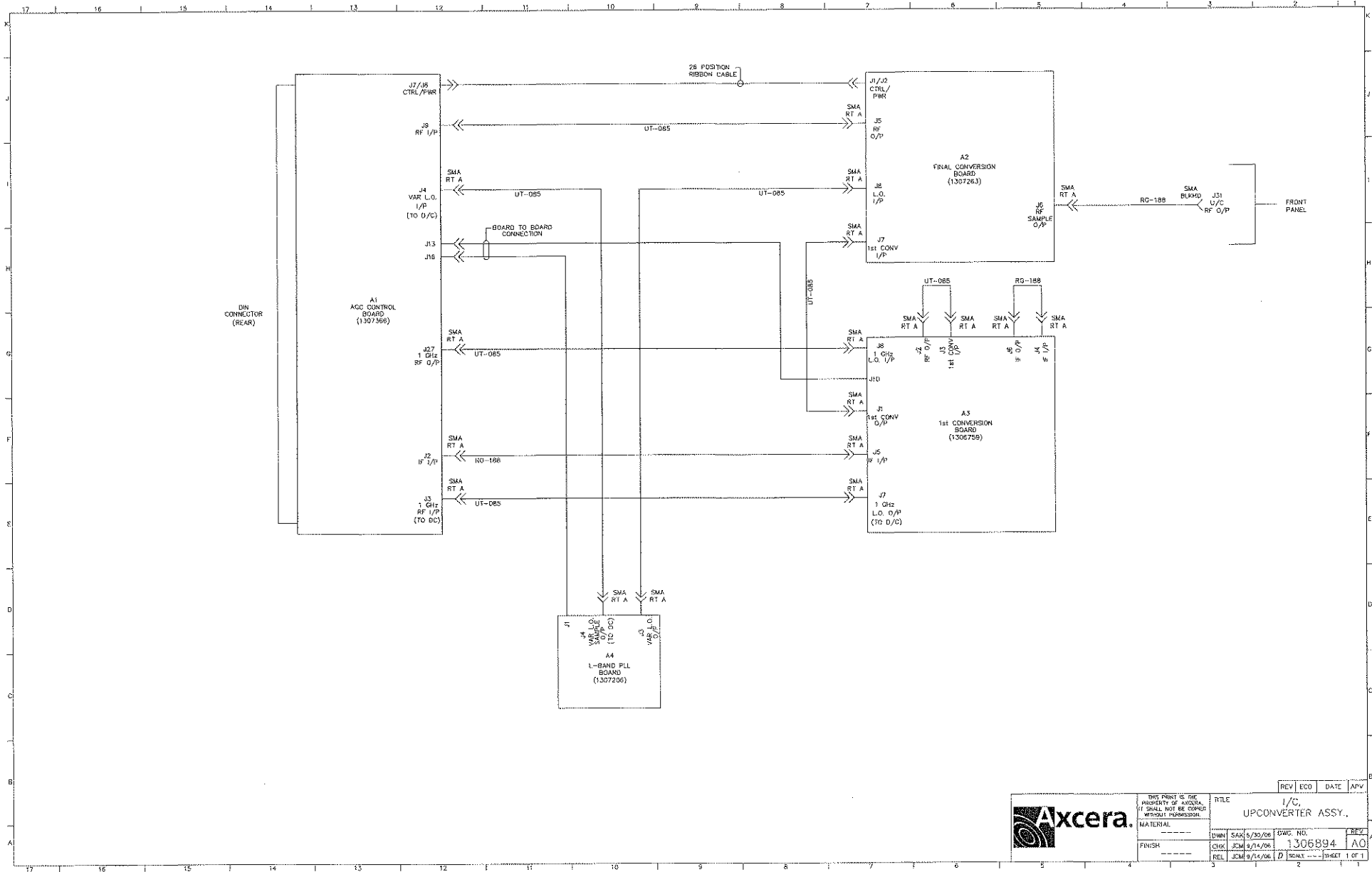
POWER SUPPLIES		REV	ECO	DATE	APV
<p>THIS PRINT IS THE PROPERTY OF ANCERA. IT SHALL NOT BE COPIED OR REPRODUCED WITHOUT PERMISSION.</p>		<p><b>Ancera</b></p>			
<p>TITLE SCHEMATIC, VSB BOARD, AXCITER (1305066)</p>		ISSN	CHK	DATE	REV
<p>MATERIAL</p>		1305067	3/24/05	10/23/05	R0
<p>FINISH</p>		0	0	0	0
<p>DATE</p>		0	0	0	0




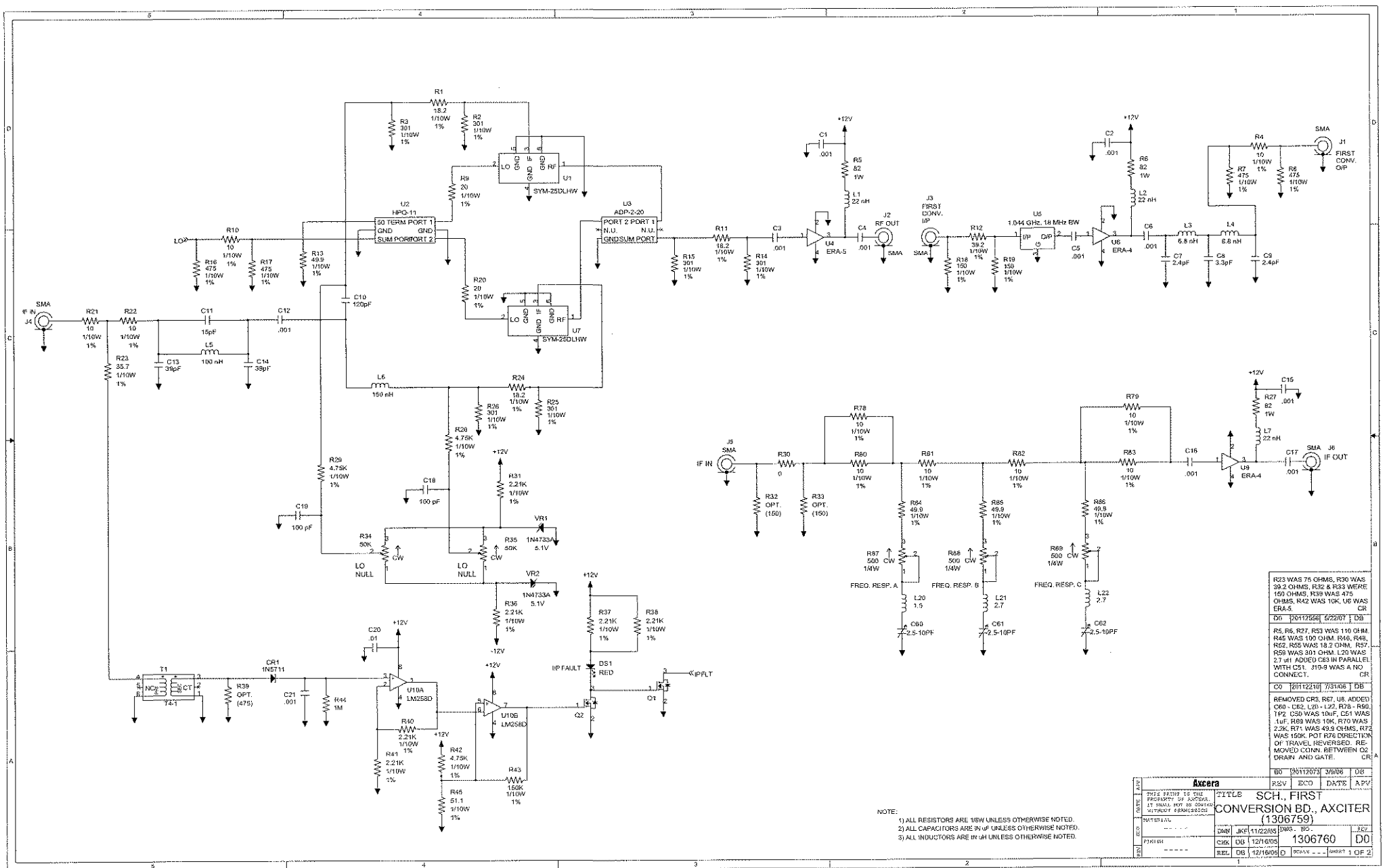
	THIS PRINT IS THE PROPERTY OF AXCIERA. IF SMALL NOT BE COPIED WITHOUT PERMISSION.			REV. ECD	DATE	APV
	MATERIAL			FILE <b>1/C, AXCIER          MODULATOR          (1305842)</b>		
	DRAWN	CR	DWG. NO.	REV. A		
	CHK		<b>1305843</b>	PG		
REL		D SCALE	SHEET 1 OF 1			



<b>Axcera.</b>		THIS PRINT IS THE PROPERTY OF AXCIERA. IT SHALL NOT BE COPIED WITHOUT PERMISSION.		REV	ECO	DATE	APV
MATERIAL		TITLE		B/D, AXCIERA MODULATOR			
OWNS	CR 11/03/95	DWG. NO.		1305844		REV	
FINISH	REL	SCALE		1 OF 1		60	



REV		ECO	DATE	APV
				
TITLE		I/C, UPCONVERTER ASSY.		
MATERIAL				
DESIGN	SAM	5/25/08	EDWG. NO.	1306894
CHKD	JCM	5/14/08		A0
REL	JCM	5/14/08	D	FRONT SHEET 1 OF 1



NOTE:  
 1) ALL RESISTORS ARE 1%W UNLESS OTHERWISE NOTED.  
 2) ALL CAPACITORS ARE IN pF UNLESS OTHERWISE NOTED.  
 3) ALL INDUCTORS ARE IN nH UNLESS OTHERWISE NOTED.

R23 WAS 75 OHMS, R30 WAS 30.2 OHMS, R32 & R33 WERE 150 OHMS, R38 WAS 475 OHMS, R42 WAS 10K, U6 WAS ERA-5 CR

D5 [20112566] 5/22/07 DB

R5, R6, R7, R53 WAS 110 OHM, R45 WAS 100 OHM, R46, R48, R52, R55 WAS 18.2 OHM, R57, R59 WAS 301 OHM, L20 WAS 2.7 nH ADDED C63 IN PARALLEL WITH C51, P10-9 WAS A NO CONNECT. CR

C9 [20112210] 7/31/06 DB

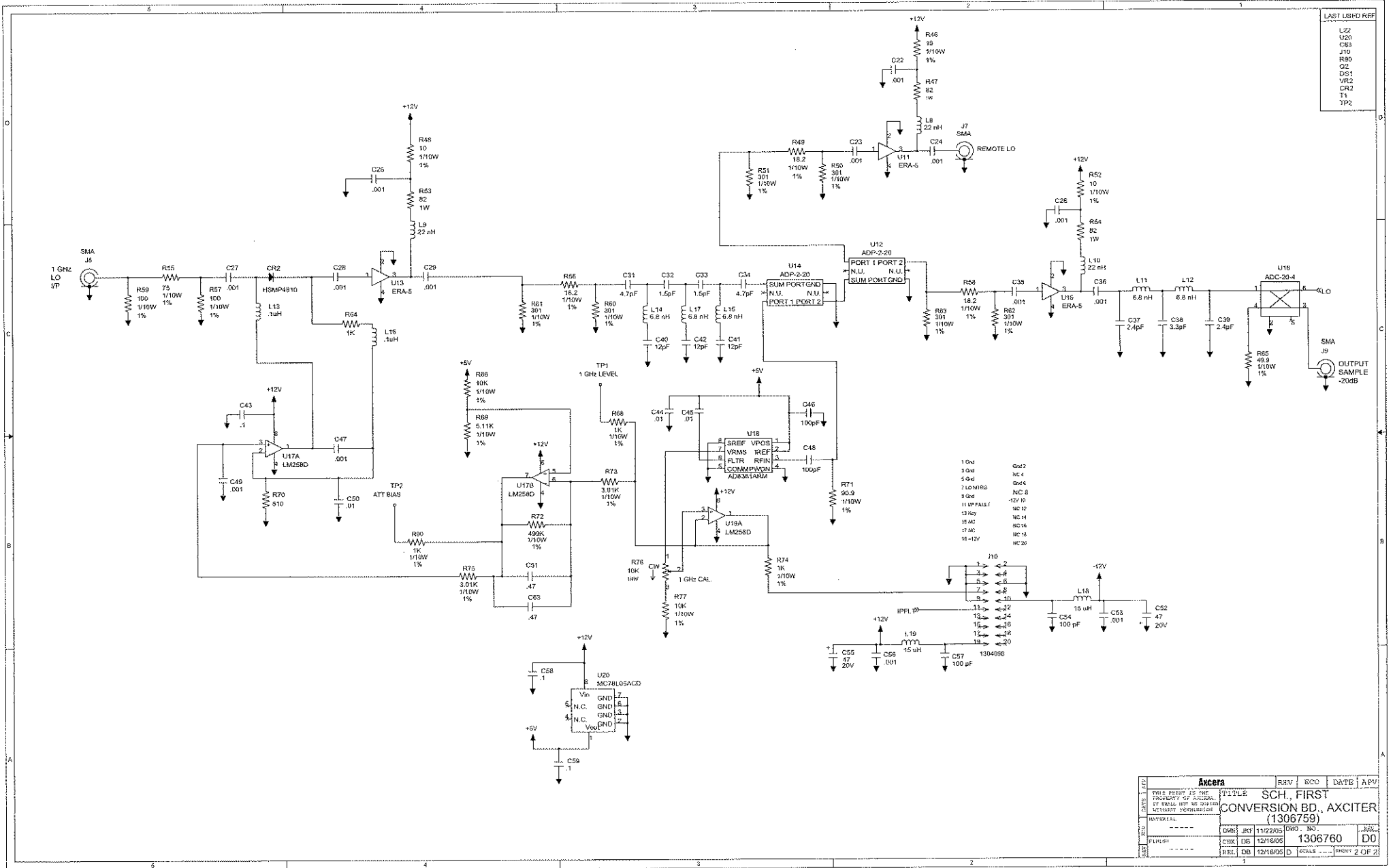
REMOVED CR3, R67, US ADDED C60 - C62, L20 - L27, R78 - R50, L42, C59 WAS 30nF, C51 WAS 1uF, R93 WAS 10K, R70 WAS 2.2K, R71 WAS 49.9 OHMS, R72 WAS 150K, POT R76 DIRECTION OF TRAVEL REVERSED, RE-MOVED CONN. BETWEEN O2 DRAWN AND GATE. CR

B8 [20112073] 3/6/06 DB

REV	ECO	DATE	APV
1			
2			
3			
4			
5			

TITLE SCH., FIRST  
 CONVERSION BD., AXCITER  
 (1306759)  
 DWG. NO. JKE1122305 DWS - RP -  
 CHK. DS 12/16/05 1306760 DD  
 REL. DS 12/16/05

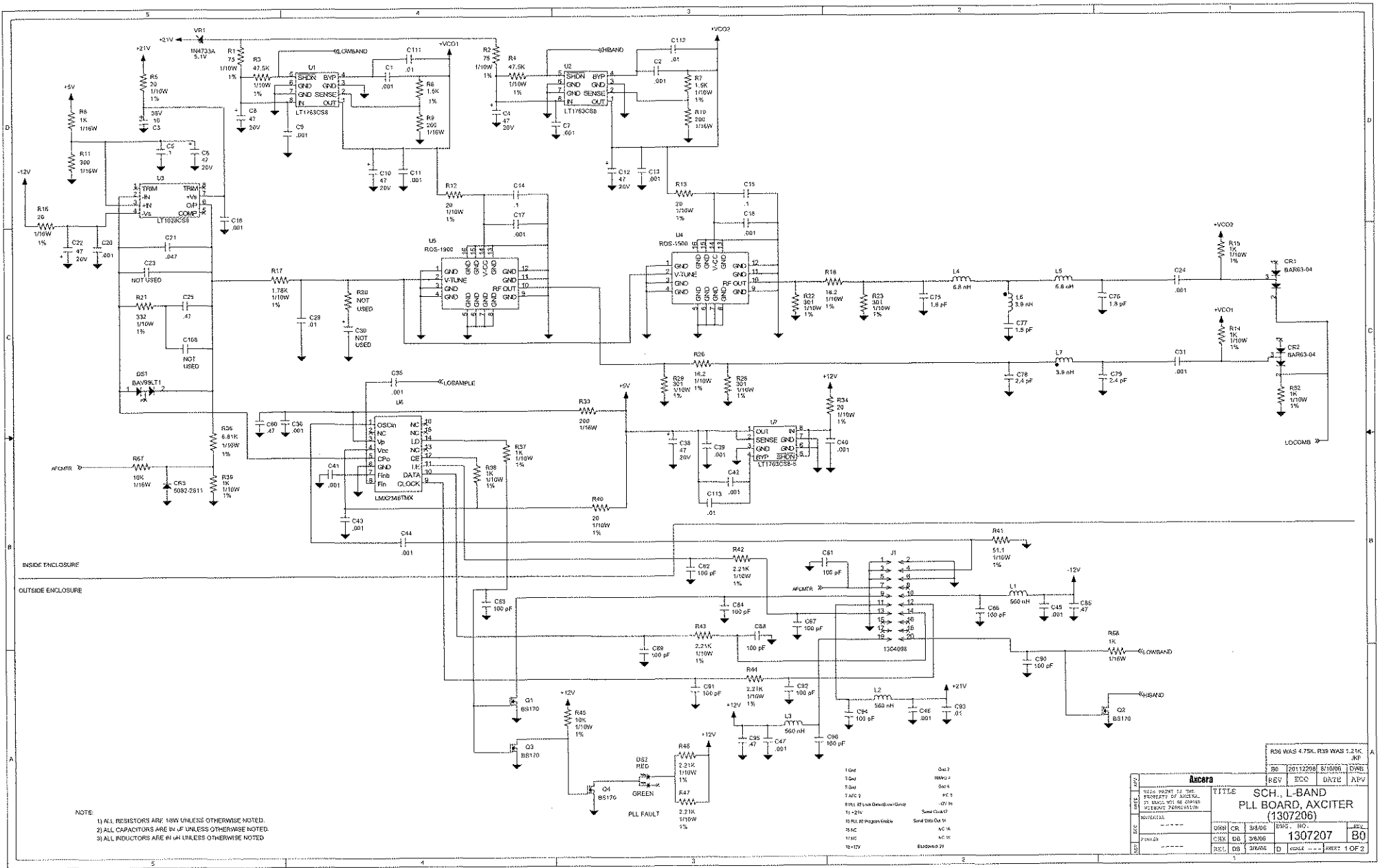




LAST USED REF	
U2	U20
C8	C8
J10	J10
R89	R89
D2	D81
U12	CR2
T1	T1
Y2	Y2

1 0g	6g2
3 0g	4c 4
5 0g	6g4
7 0g MIRA	NC 8
9 0g	-12V 10
11 0g PAUL	NC 12
13 0g	NC 13
15 0g	NC 14
17 0g	NC 16
19 -12V	NC 18
	NC 20

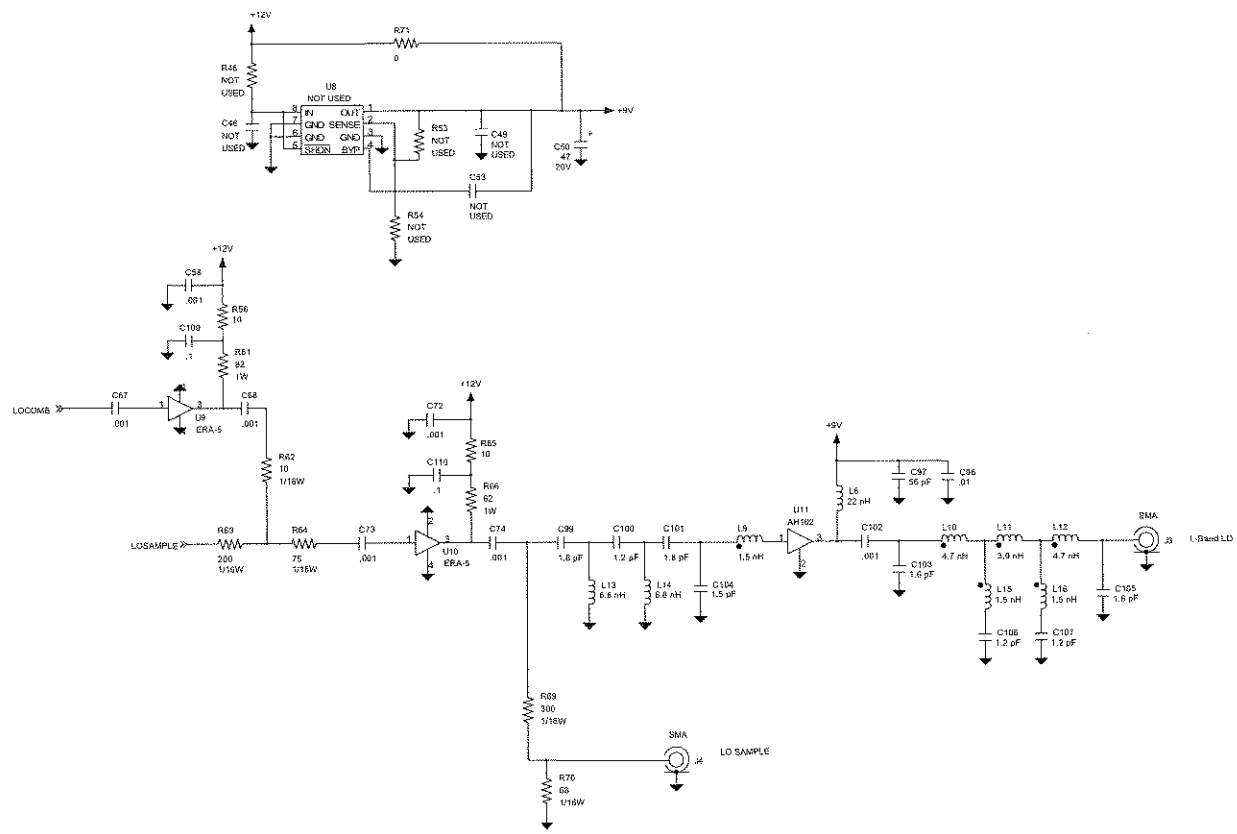
Axcera				
REV	ECO	DATE	APV	
TITLE			SCH. FIRST	
CONVERSION BD., AXCITER			(1306769)	
PARTIAL				
DATE	DES	RF	DES	NO
12/16/05	12/16/05		1306760	D0
CHK	DB	12/16/05		
DR	DB	12/16/05		SHEET 2 OF 2



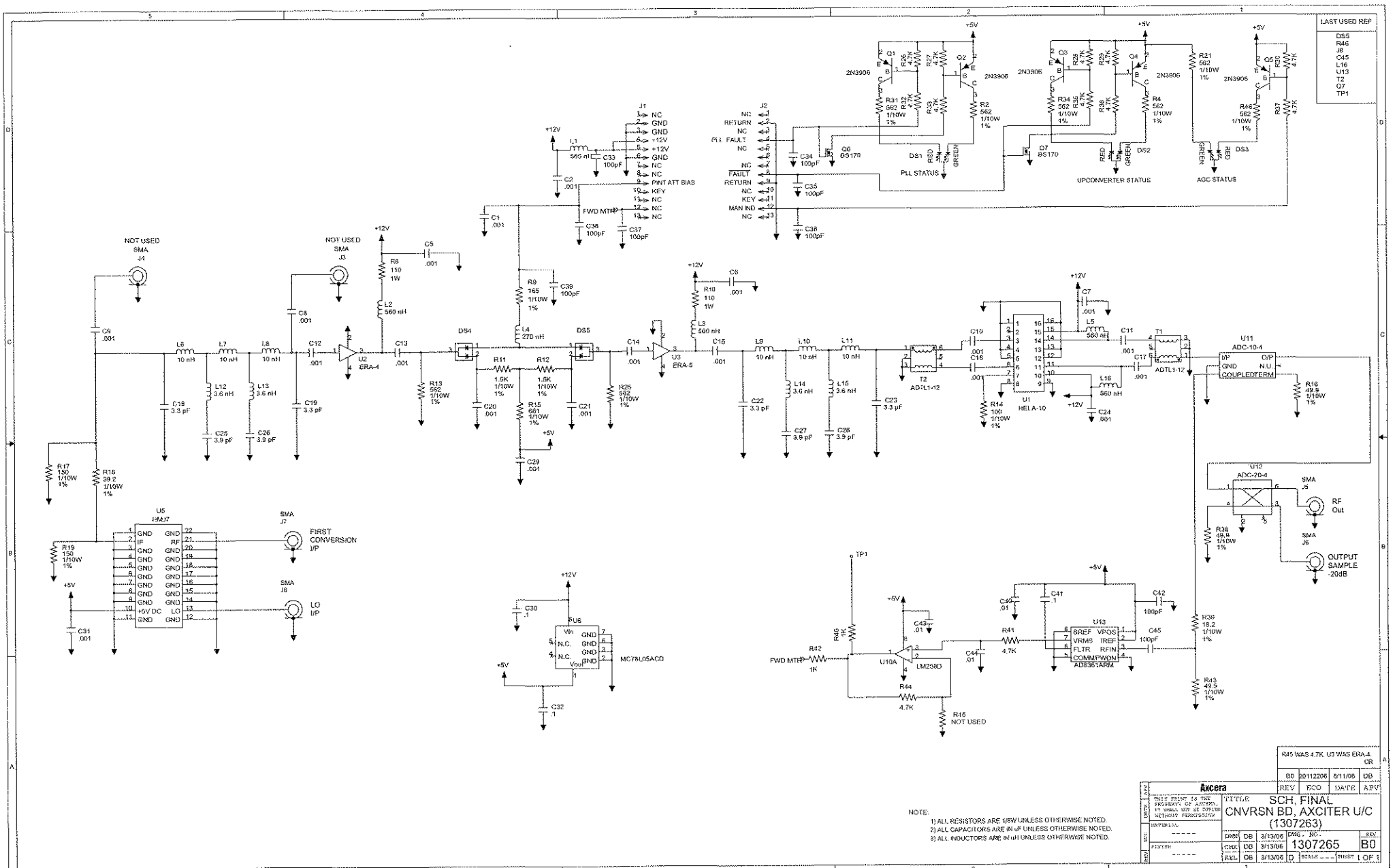
R36 WAS 4.75K. R35 WAS 1.21K. JNT

REV		ECC		DATE		APV	
REV	20112298	810006	GRB				
<b>Avnera</b>							
TITLE SCH., L-BAND PLL BOARD, XICITER (1307206)							
DWG. NO. 1307207							
REV. NO. B0							
PAGE 1 OF 2							

LAST USED REF	
C113	
L18	
U11	
RF1	
J8	
Q4	
CR3	
DS2	
VR1	



Axalta		REV	ECO	DATE	REV
<small>THIS DRAWING IS THE PROPERTY OF AXALTA. IT SHALL NOT BE COPIED OR REPRODUCED IN ANY MANNER WITHOUT THE WRITTEN PERMISSION OF AXALTA.</small>		<b>TITLE</b> SCH., L-BAND <b>PLL BOARD, AXCITER</b> <b>(1307206)</b>			
<small>DESIGNER</small> <small>DATE</small>	<small>CHKD</small> <small>DATE</small>	<small>APP'D</small> <small>DATE</small>	<small>DRWG. NO.</small> <b>1307207</b>	<small>REV.</small> <b>B0</b>	<small>AXALTA</small>
<small>FUNCTION</small> -----	<small>CHKD</small> DB	<small>APP'D</small> DB	<small>DRWG. NO.</small> D	<small>DATE</small> 10/20/07	<small>REV.</small> 2 OF 2

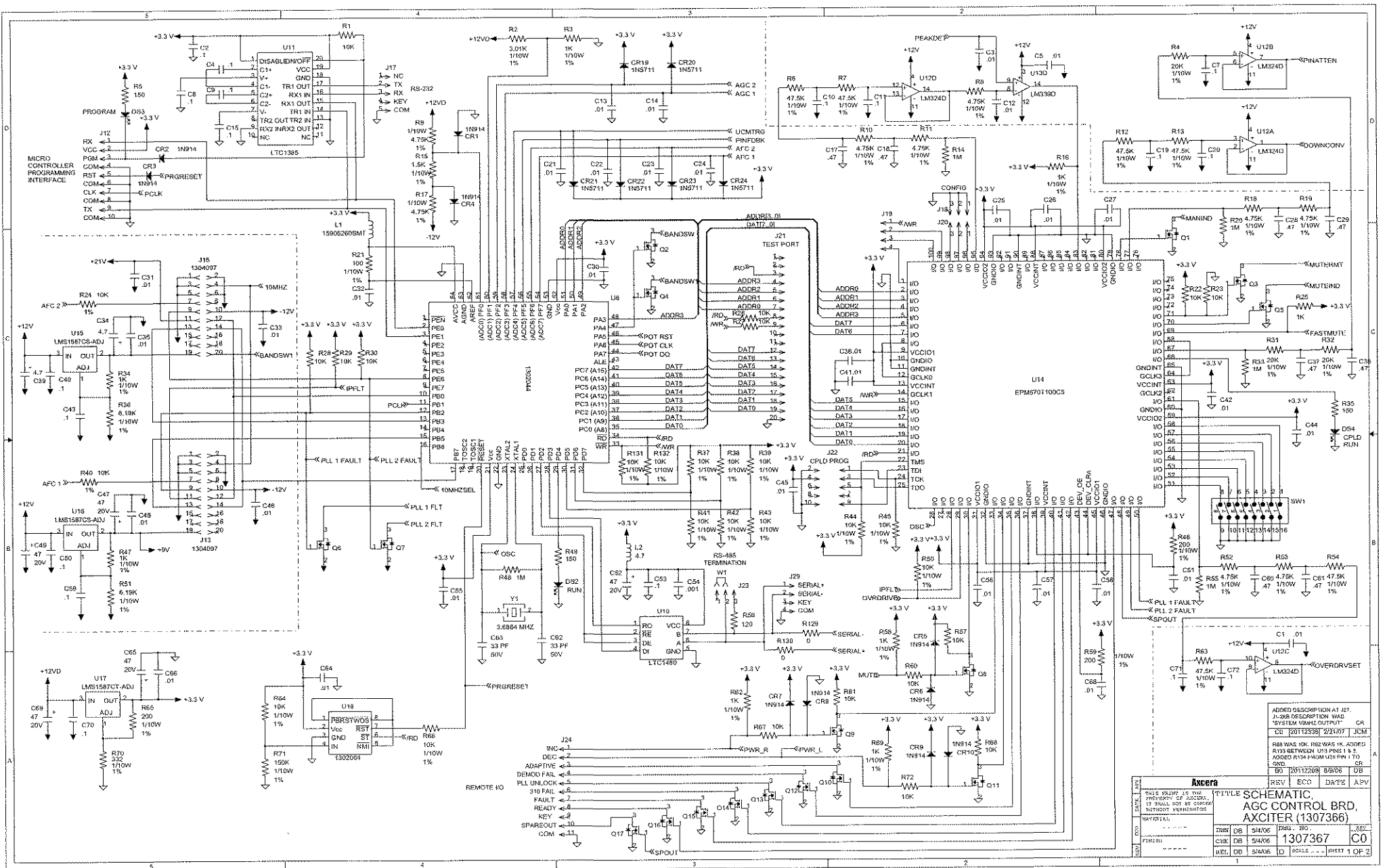


LAST USED REF	
D55	R6
C45	L16
T2	Q7
TP1	

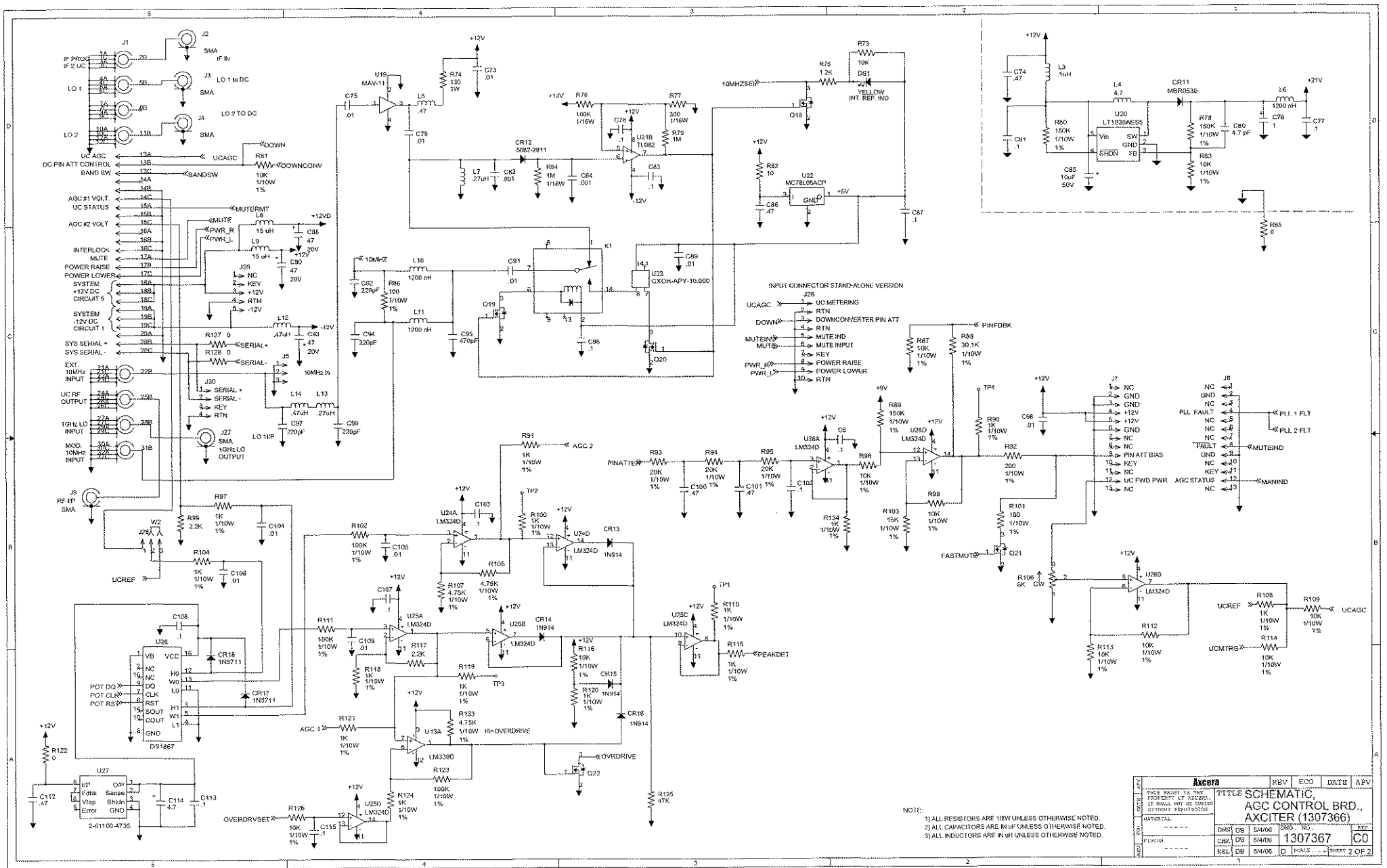
R45 WAS 4.7K. U3 WAS ERA-4.	CR		
BO	20112206	8/11/06	DB

Axcera		SCH, FINAL		DATE		REV	
TITLE				SCH, FINAL			
PART NO.				CNVRSN BD, AXCITER U/C			
REV				(1307263)			
DESIGN	DB	3/13/06	DATE	DB	1307263	REV	BO
CHKD	DB	3/13/06	DATE	DB	1307263	REV	BO
FILE	DB	3/13/06	DATE	DB	1307263	REV	BO

NOTE:  
 1) ALL RESISTORS ARE 1% UNLESS OTHERWISE NOTED.  
 2) ALL CAPACITORS ARE IN pF UNLESS OTHERWISE NOTED.  
 3) ALL INDUCTORS ARE IN nH UNLESS OTHERWISE NOTED.

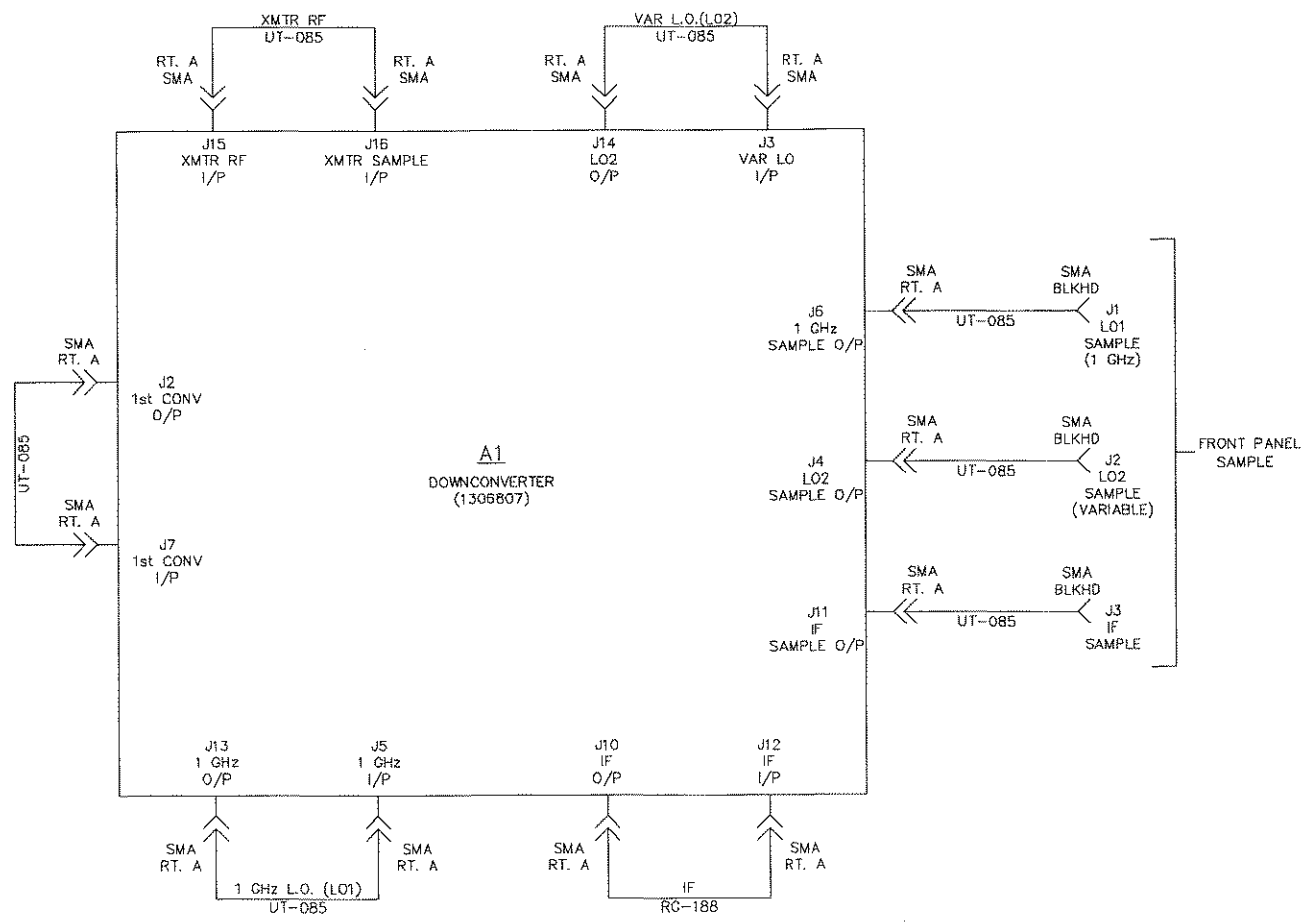


ADDER DESCRIPTION AT J27: J1-268 DESCRIPTION WAS "SYSTEM SIGNAL OUTPUT" CH C0 [20112338] 2/21/07 JCM R88 WAS 1K. R92 WAS 1K. ADDRESS R193 BETWEEN U13 PINS 1 & 2. ADDRESS R154 FROM U13 PIN 1 TO GND. OK 60 [20112320] 09/06/06 DB REV ECC DATE APV			
<b>Ancera</b>			
TITLE SCHEMATIC, AGC CONTROL BRD, XCITER (1307366)			
7088 DB 5/4/06 CHK DB 5/4/06 HRL DB 5/4/06	1307367 1307366	1307366	C0 1 OF 2




NOTE:  
 1) ALL RESISTORS ARE 1% UNLESS OTHERWISE NOTED.  
 2) ALL CAPACITORS ARE IN uF UNLESS OTHERWISE NOTED.  
 3) ALL INDUCTORS ARE IN uH UNLESS OTHERWISE NOTED.

Axcera		REV	ECCO	DATE	APV
TITLE SCHEMATIC AGC CONTROL BRD., AXCITER (1307366)					
DWG	DS	54/06	DSG	NO	REV
CHEK	DB	54/06	1307367		CO
SEL	DB	54/06	D	PRALS	SHEET 2 OF 2



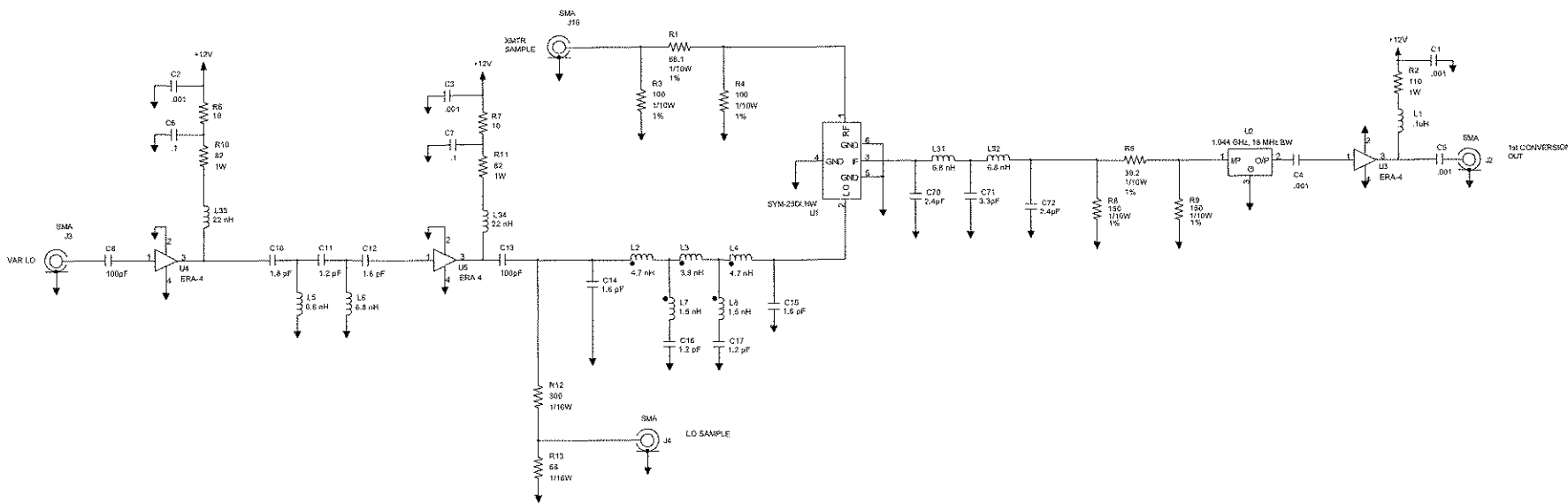
REV	ECO	DATE	APV
-----	-----	------	-----



THIS PRINT IS THE PROPERTY OF AXCERA. IT SHALL NOT BE COPIED WITHOUT PERMISSION.

**TITLE**  
I/C,  
DOWNCONVERTER ASSY.

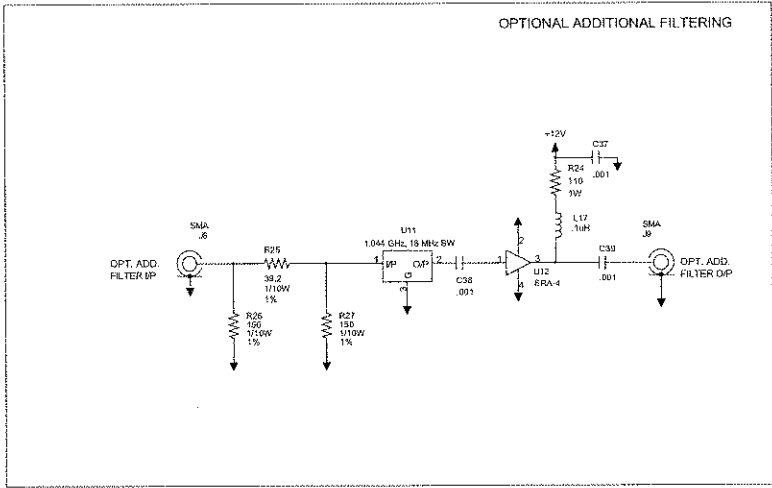
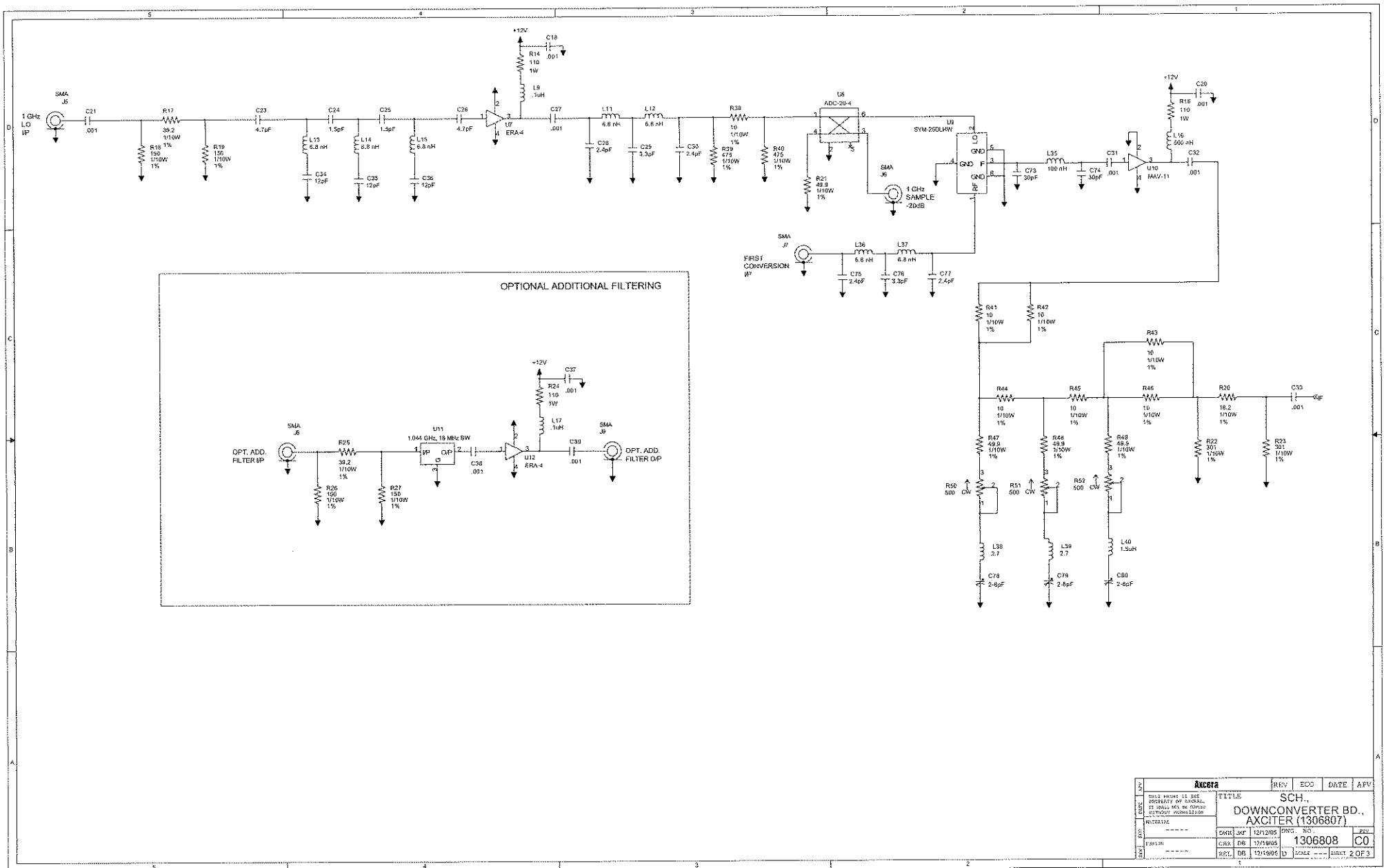
MATERIAL	DWN	SAK	5/8/06	DWG. NO.	REV
FINISH	CHK	DWS	9/27/06	1306896	A0
	REL	DWS	9/27/06	C	SCALE --- SHEET 1 OF 1



C48 WAS .001, L40 WAS 2.7uH, ADD L41. FIXED VARIOUS SCH. ISSUES.  
 CR  
 CB 12/12/07 101206 GMB  
 ADDED C24-C30, L31-L48, R41-R53, DELETED C4, C14, C25, C65-C67, C76, C71, L10, R14, R35-R37, U38, L33, C9 & C13 WERE 100pF. C63 WAS .001 uF. C64 WAS 10 uF. R1 WAS 20.2 OHMS. R3 & R4 WERE 150 OHMS. R34 WAS 100C. J15 WAS CONNECTED TO J120B.

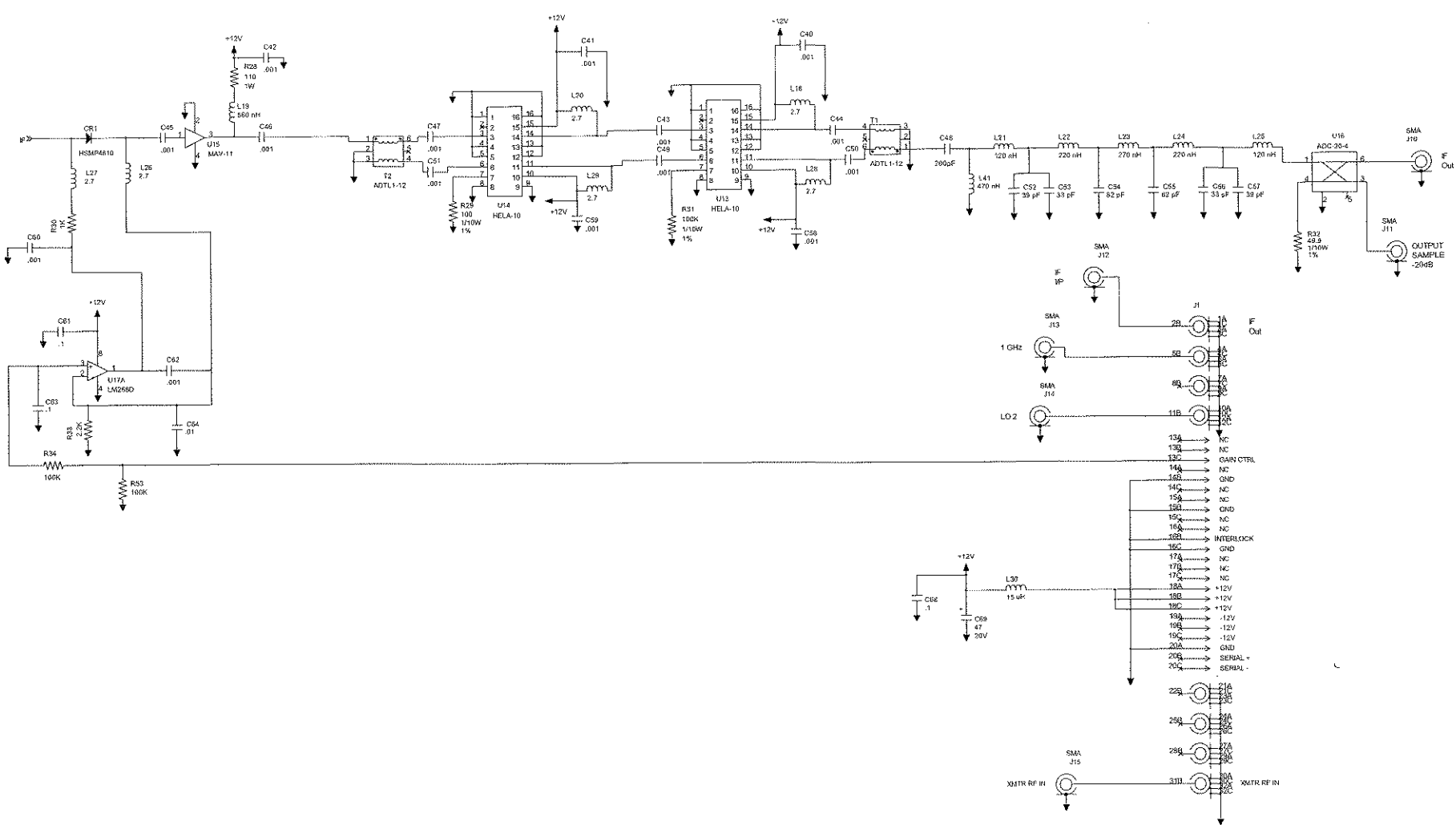
Ancora		REV	ECO	DATE	BY
TITLE		SCH., DOWNCONVERTER BD., AXCITER (1306807)			
DATE	BY	DATE	BY	DATE	BY
12/12/05	DF	12/12/05	DF	12/12/05	DF
12/18/05	DD	12/18/05	DD	12/18/05	DD
12/18/05	DD	12/18/05	DD	12/18/05	DD





REV		ECO		DATE		APV	
1		1		12/1/2005		SCH., DOWNCONVERTER BD., AXCITER (1306807)	
2		1		12/1/2005		DWS. NO. 1306808	
3		1		12/1/2005		C0	
4		1		12/1/2005		SCALE --- SHEET 2 OF 3	

LAST USED REF  
 C30  
 R53  
 L41  
 U17  
 CR1  
 T2  
 J10



133	NC
134	NC
135	NC
136	GAIN CTRL
140	NC
141	NC
142	NC
143	NC
144	NC
145	NC
146	NC
147	NC
148	NC
149	NC
150	NC
151	NC
152	NC
153	NC
154	NC
155	NC
156	NC
157	NC
158	NC
159	NC
160	NC
161	NC
162	NC
163	NC
164	NC
165	NC
166	NC
167	NC
168	NC
169	NC
170	NC
171	NC
172	NC
173	NC
174	NC
175	NC
176	NC
177	NC
178	NC
179	NC
180	NC
181	NC
182	NC
183	NC
184	NC
185	NC
186	NC
187	NC
188	NC
189	NC
190	NC
191	NC
192	NC
193	NC
194	NC
195	NC
196	NC
197	NC
198	NC
199	NC
200	NC
201	NC
202	NC
203	NC
204	NC
205	NC
206	NC
207	NC
208	NC
209	NC
210	NC
211	NC
212	NC
213	NC
214	NC
215	NC
216	NC
217	NC
218	NC
219	NC
220	NC
221	NC
222	NC
223	NC
224	NC
225	NC
226	NC
227	NC
228	NC
229	NC
230	NC
231	NC
232	NC
233	NC
234	NC
235	NC
236	NC
237	NC
238	NC
239	NC
240	NC
241	NC
242	NC
243	NC
244	NC
245	NC
246	NC
247	NC
248	NC
249	NC
250	NC
251	NC
252	NC
253	NC
254	NC
255	NC
256	NC
257	NC
258	NC
259	NC
260	NC
261	NC
262	NC
263	NC
264	NC
265	NC
266	NC
267	NC
268	NC
269	NC
270	NC
271	NC
272	NC
273	NC
274	NC
275	NC
276	NC
277	NC
278	NC
279	NC
280	NC
281	NC
282	NC
283	NC
284	NC
285	NC
286	NC
287	NC
288	NC
289	NC
290	NC
291	NC
292	NC
293	NC
294	NC
295	NC
296	NC
297	NC
298	NC
299	NC
300	NC

Axcera		REV	ECO	DATE	APV
SCH., DOWNCONVERTER BD., AXCITER (1306807)					
REV	CHK	DATE	ENG	NO	SCALE
1	DB	12/18/05			
2	DB	12/18/05			
3	DB	12/18/05			
4	DB	12/18/05			
5	DB	12/18/05			
6	DB	12/18/05			
7	DB	12/18/05			
8	DB	12/18/05			
9	DB	12/18/05			
10	DB	12/18/05			
11	DB	12/18/05			
12	DB	12/18/05			
13	DB	12/18/05			
14	DB	12/18/05			
15	DB	12/18/05			
16	DB	12/18/05			
17	DB	12/18/05			
18	DB	12/18/05			
19	DB	12/18/05			
20	DB	12/18/05			
21	DB	12/18/05			
22	DB	12/18/05			
23	DB	12/18/05			
24	DB	12/18/05			
25	DB	12/18/05			
26	DB	12/18/05			
27	DB	12/18/05			
28	DB	12/18/05			
29	DB	12/18/05			
30	DB	12/18/05			
31	DB	12/18/05			
32	DB	12/18/05			
33	DB	12/18/05			
34	DB	12/18/05			
35	DB	12/18/05			
36	DB	12/18/05			
37	DB	12/18/05			
38	DB	12/18/05			
39	DB	12/18/05			
40	DB	12/18/05			
41	DB	12/18/05			
42	DB	12/18/05			
43	DB	12/18/05			
44	DB	12/18/05			
45	DB	12/18/05			
46	DB	12/18/05			
47	DB	12/18/05			
48	DB	12/18/05			
49	DB	12/18/05			
50	DB	12/18/05			
51	DB	12/18/05			
52	DB	12/18/05			
53	DB	12/18/05			
54	DB	12/18/05			
55	DB	12/18/05			
56	DB	12/18/05			
57	DB	12/18/05			
58	DB	12/18/05			
59	DB	12/18/05			
60	DB	12/18/05			
61	DB	12/18/05			
62	DB	12/18/05			
63	DB	12/18/05			
64	DB	12/18/05			
65	DB	12/18/05			
66	DB	12/18/05			
67	DB	12/18/05			
68	DB	12/18/05			
69	DB	12/18/05			
70	DB	12/18/05			
71	DB	12/18/05			
72	DB	12/18/05			
73	DB	12/18/05			
74	DB	12/18/05			
75	DB	12/18/05			
76	DB	12/18/05			
77	DB	12/18/05			
78	DB	12/18/05			
79	DB	12/18/05			
80	DB	12/18/05			
81	DB	12/18/05			
82	DB	12/18/05			
83	DB	12/18/05			
84	DB	12/18/05			
85	DB	12/18/05			
86	DB	12/18/05			
87	DB	12/18/05			
88	DB	12/18/05			
89	DB	12/18/05			
90	DB	12/18/05			
91	DB	12/18/05			
92	DB	12/18/05			
93	DB	12/18/05			
94	DB	12/18/05			
95	DB	12/18/05			
96	DB	12/18/05			
97	DB	12/18/05			
98	DB	12/18/05			
99	DB	12/18/05			
100	DB	12/18/05			