

B1X5 Wi-Fi Module Operation Manual

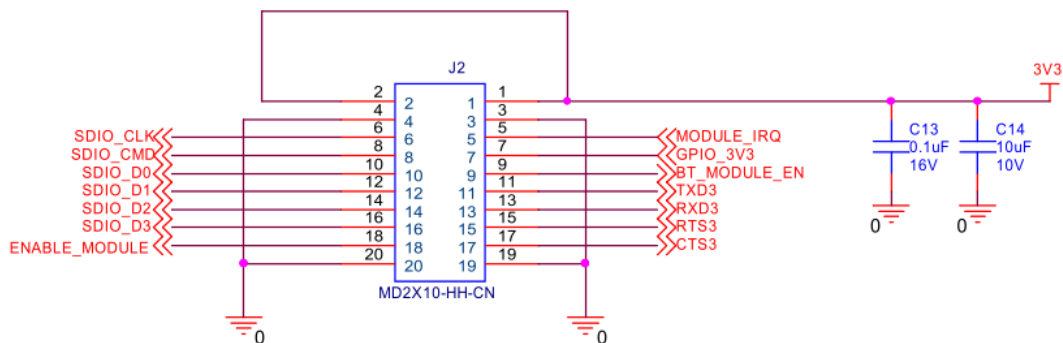
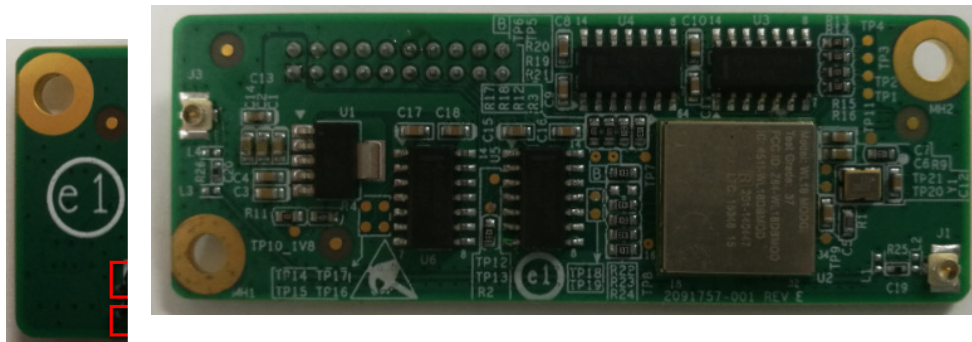
B1X5 Wi-Fi Module provide WLAN baseband processor and RF transceiver and support IEEE Std 802.11a, 802.11b, 802.11g and 802.11n HT20 and HT40 SISO and 802.11n HT20 2*2 MIMO at 2.4 GHz for High Throughput.

B1X5 Wi-Fi Module Peripheral circuit is developed by GE Healthcare and the Wireless chips is used WL1837 from TEXAS INSTRUMENTS. WL1837 has been certified for FCC with FCC ID: Z64-WL18DBMOD. GE Healthcare apply independent FCC ID for B1X5 Wi-Fi Module and has passed the FCC Certified test with FCC ID: OU5B1X501.

B1X5 Wi-Fi Module just will be used in GE Healthcare Value Monitor (B1X5 series) patient monitors. B1X5 Wi-Fi Module will be configuration and operation through GE VSP main software. B1X5 Wi-Fi Module will not be sale and used separately.

Pin definition:

The pin definition of B1X5 Wi-Fi Module as below picture:

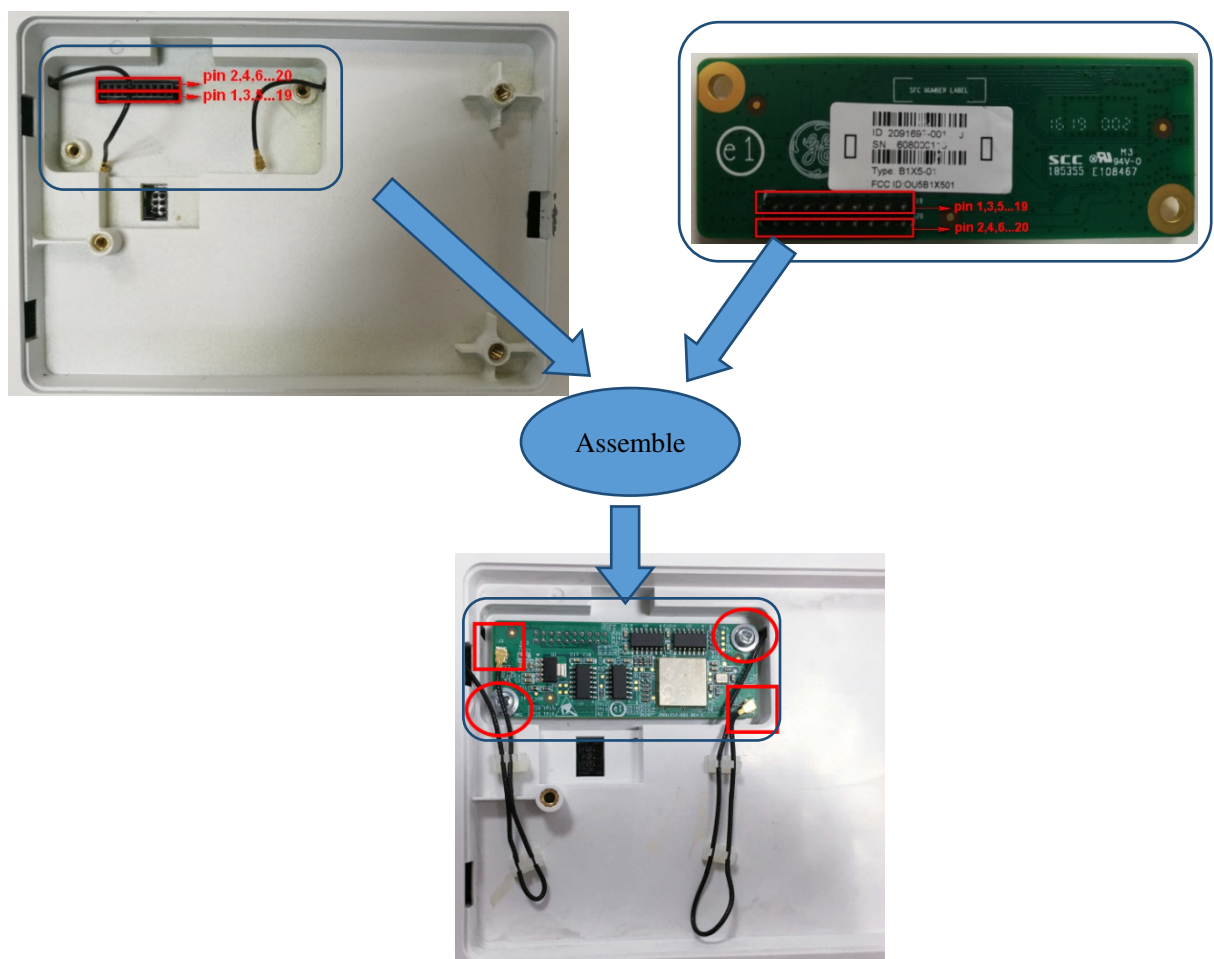


Assembly Process:

The B1X5 Wi-Fi Module just can be used in Value Monitor (B1X5 series) patient monitors, the assembly process as below:

Steps:

1. Assemble the WLAN module corresponding pins to the corresponding connector in the WLAN module slot.
2. Install two screws on the wireless board.
3. Connect two antennas to WLAN module and use the clips to fix the antennas.



FCC Statement

This device complies with Part 15 of the FCC Rules. Operation is subject to the following two conditions: (1) this device may not cause harmful interference, and (2) this device must accept any interference received, including interference that may cause undesired operation. changes or modifications not expressly approved by the party responsible for compliance could void the user's authority to operate the equipment.

Please notice that if the FCC identification number is not visible when the module is installed inside another device, then the outside of the device into which the module is installed must also display a label referring to the enclosed module. This exterior label can use wording such as the following: "Contains FCC ID: OU5B1X501" any similar wording that expresses the same meaning may be used.

This equipment complies with FCC radiation exposure limits set forth for an uncontrolled environment. This equipment should be installed and operated with a minimum distance of 20cm between the radiator & your body. This transmitter must not be co-located or operating in conjunction with any other antenna or transmitter.

The module is limited to OEM installation ONLY.

The OEM integrator is responsible for ensuring that the end-user has no manual instruction to remove or install module.

The module is limited to installation in mobile application;

A separate approval is required for all other operating configurations, including portable configurations with respect to Part 2.1093 and difference antenna configurations.

There is requirement that the grantee provide guidance to the host manufacturer for compliance with Part 15B requirements.