



NORMARC 7033

INSTRUMENT LANDING SYSTEM

Transmitter Figures



NAVIA AVIATION



TABLE OF CONTENTS

1 LF1223A LOW FREQUENCY GENERATOR.....7
1.1 Schematic Diagrams7
1.2 Photos8

2 OS1221B RF OSCILLATOR.....9
2.1 Circuit Diagrams.....9
2.2 Component Location10
2.3 Photos11

3 GPA1231A POWER AMPLIFIER13
3.1 Photos13

4 PA1234A POWER AMPLIFIER15
4.1 Schematic Diagrams15
4.2 Parts List16
4.3 Photos17

5 AC1226A AMPLITUDE CONTROL19
5.1 Schematic Diagrams19
5.2 Photos20

6 PC1225A PHASE CONTROL.....21
6.1 Schematic Diagrams21
6.2 Photos22

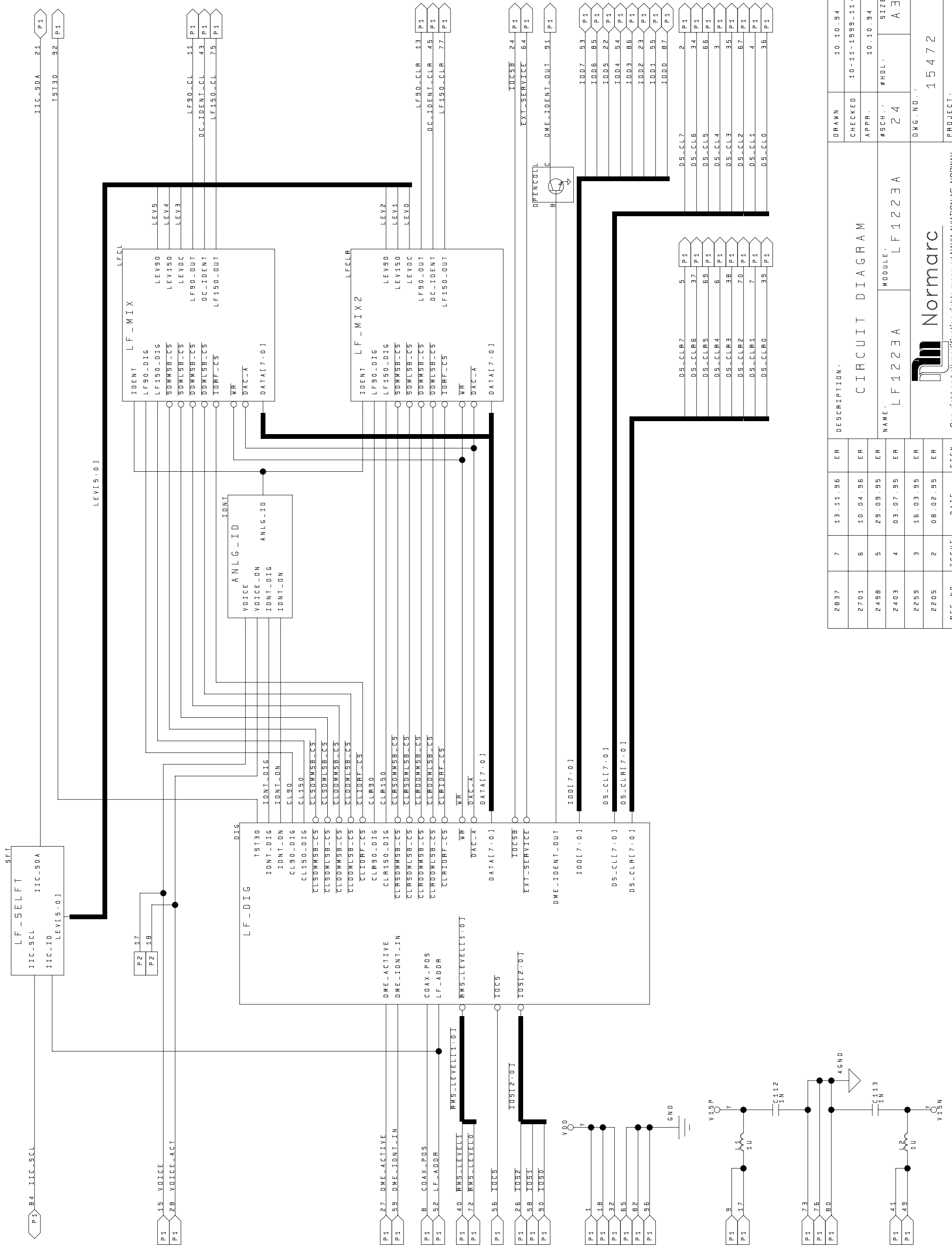
7 FD1236A FEEDBACK DETECTOR.....23
7.1 Schematic Diagrams23
7.2 Photos24

8 CD 1238A COMBINER DETECTOR25
8.1 Schematic Diagrams25
8.2 Photos26

LIST OF FIGURES

1 LF1223A Low Frequency Generator

1.1 *Schematic Diagrams*



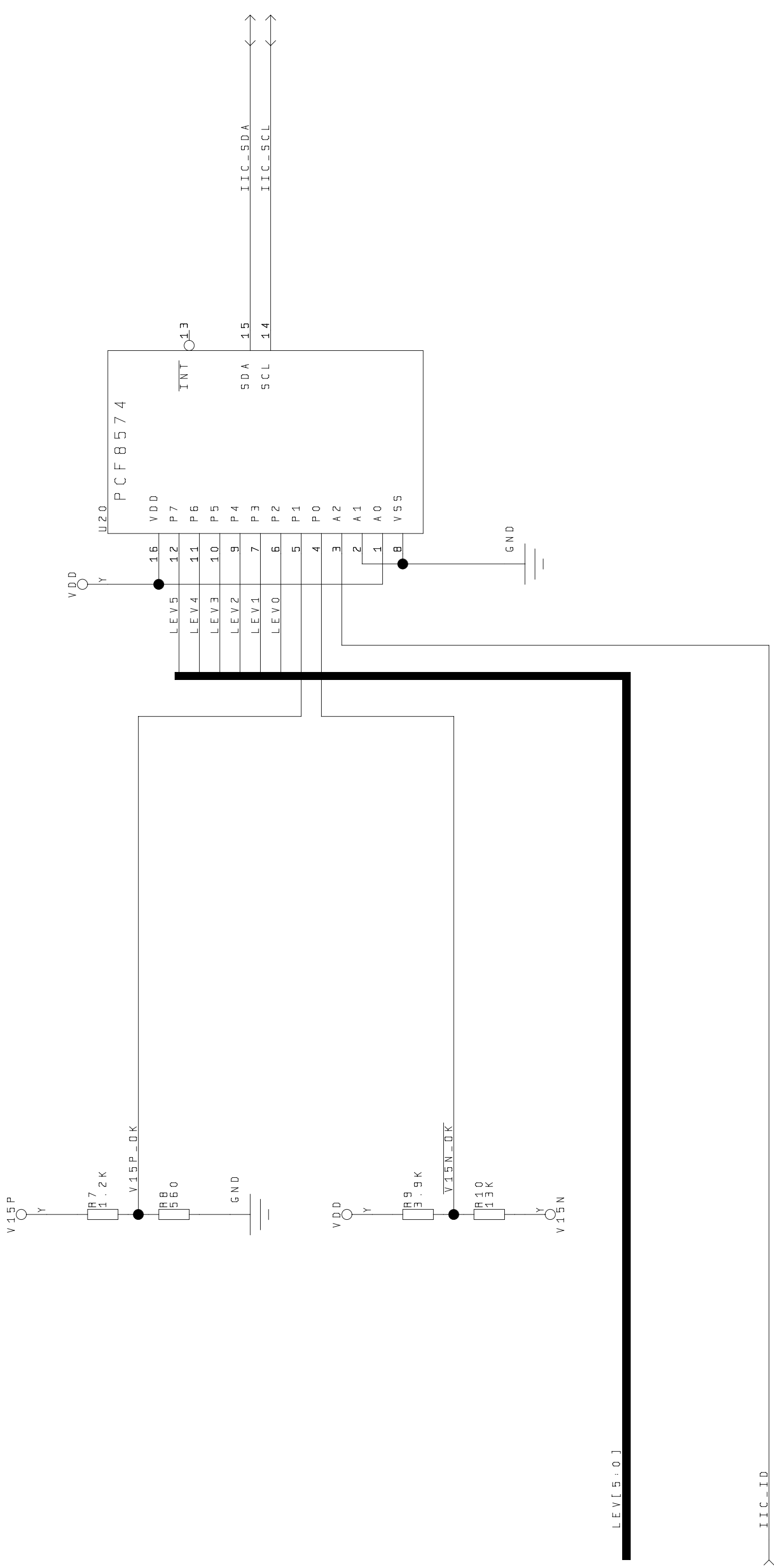
LEV[5:0]

REF. NO.	ISSUE	DATE	SIGN	DESCRIPTION	ER
2037	7	13.11.96	ER		
2701	6	10.04.96	ER		
2498	5	29.09.95	ER		
2403	4	03.07.95	ER		
2259	3	16.03.95	ER		
2205	2	08.02.95	ER		

DRAWN	CHECKED	APPR.	#SCH.	#HDL.	SIZE	VERSION
10.10.94	10-11-1999-11.21	10.10.94	24	A3	1	7

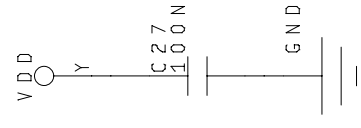
CIRCUIT DIAGRAM		MODULE		PROJECT	
LF1223A		LF1223A		15472	

Copyright and all modification rights reserved NAVIAVIATION AS, NORWAY

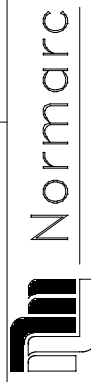


LEV[5:0]

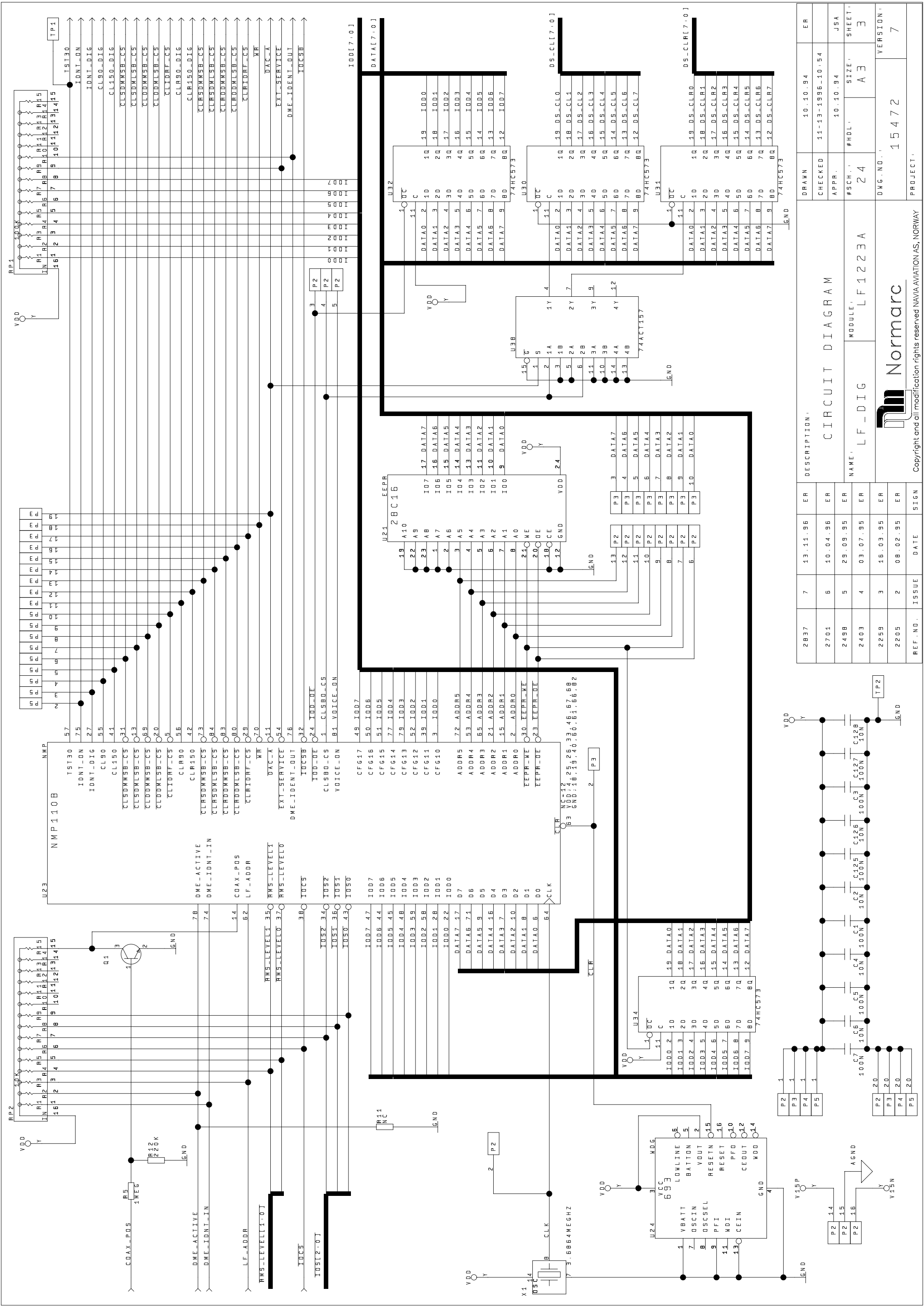
IIC-ID



REF. NO.	ISSUE	DATE	STGN	DESCRIPTION	DRAWN	10.10.94	ER
2837	7	13.11.96	ER	CIRCUIT DIAGRAM	CHECKED	11-13-1996-9.47	ER
2701	6	10.04.96	ER		APPR.	10.10.94	JSA
2498	5	29.09.95	ER	LF-SELFT	#SCH.	24	#HDL.
2403	4	03.07.95	ER		MODULE	LF1223A	SIZE
2259	3	16.03.95	ER	PROJECT	DWG. NO.	15472	VERSION
2205	2	08.02.95	ER		PROJECT	15472	VERSION

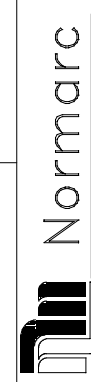


Copyright and all modification rights reserved NAVIA AVIATION AS, NORWAY



REF NO.	ISSUE	DATE	SIGN	DESCRIPTION	ER
2837	7	13.11.96	ER		
2701	6	10.04.96	ER		
2498	5	29.09.95	ER		
2403	4	03.07.95	ER		
2259	3	16.03.95	ER		
2205	2	08.02.95	ER		

DRAWN	10.10.94	ER
CHECKED	11-13-1996-10.54	
APPR.	10.10.94	JSA
#SCH.	24	SIZE: A3
DWG. NO.	15472	VERSION: 7



Copyright and all modification rights reserved NAVIAVIATION AS, NORWAY

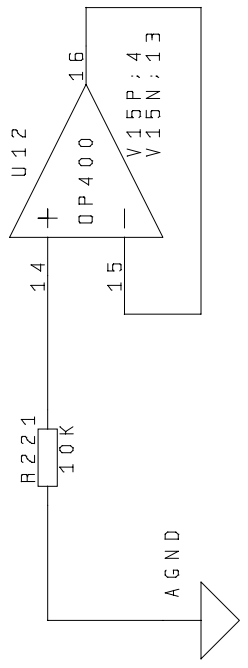
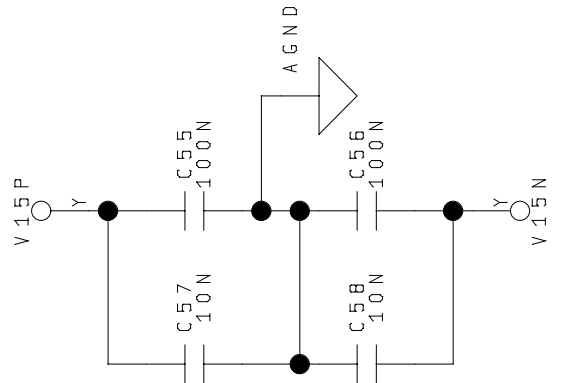
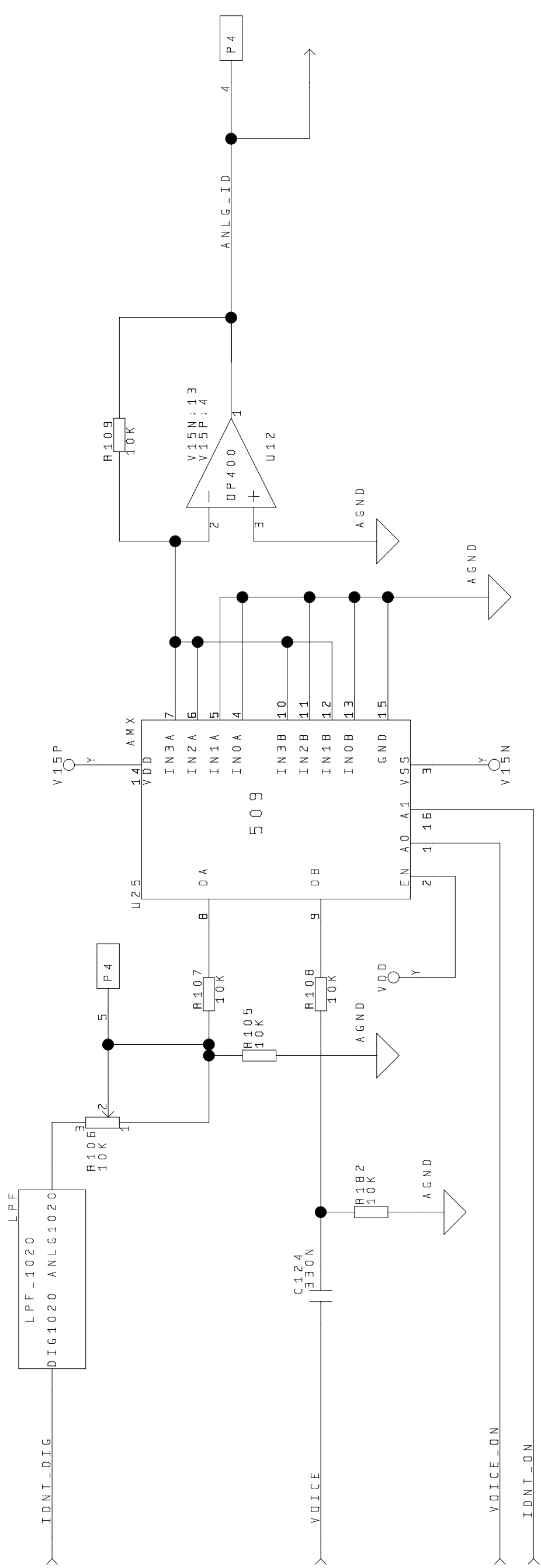
CIRCUIT DIAGRAM
MODULE: L F 1223 A

PROJECT: 15472

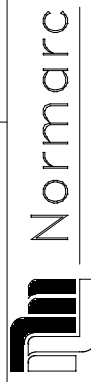
VERSION: 7

PROJECT: 15472

VERSION: 7

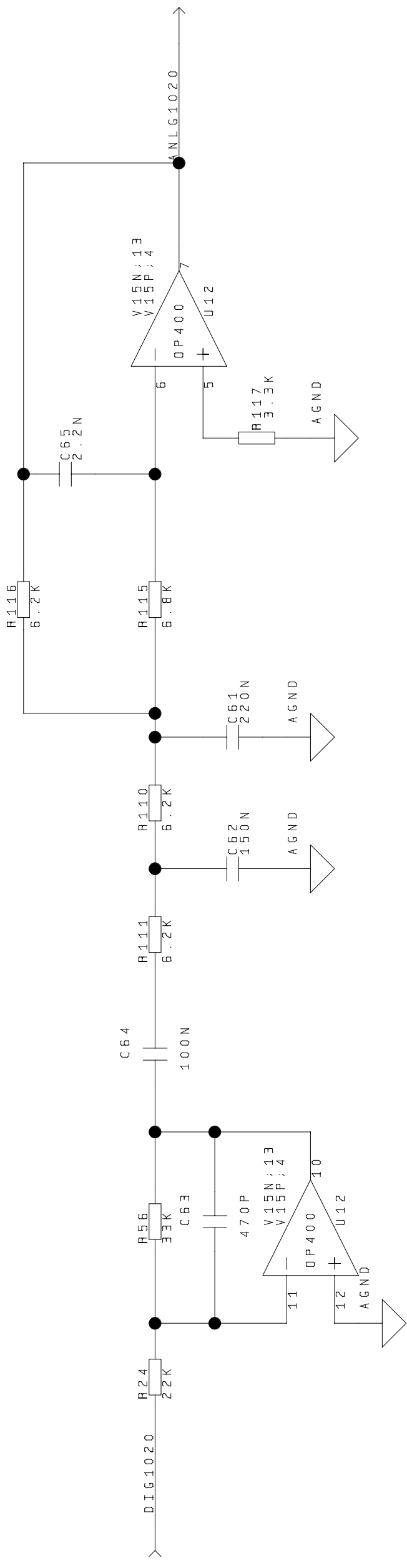



REF. NO.	ISSUE	DATE	STGN	DESCRIPTION	DRAWN	10.10.94	ER	
2837	7	13.11.96	ER	CIRCUIT DIAGRAM	CHECKED	11-13-1996-12-10	ER	
2701	6	10.04.96	ER		APPR.	10.10.94	JSA	
2498	5	29.09.95	ER		#SCH.	24	SIZE	SHEET
2403	4	03.07.95	ER		MODULE	LF1223A	A3	4
2259	3	16.03.95	ER		NAME	ANLG_ID	VERSION	7
2205	2	08.02.95	ER	DWG. NO.	15472	PROJECT		

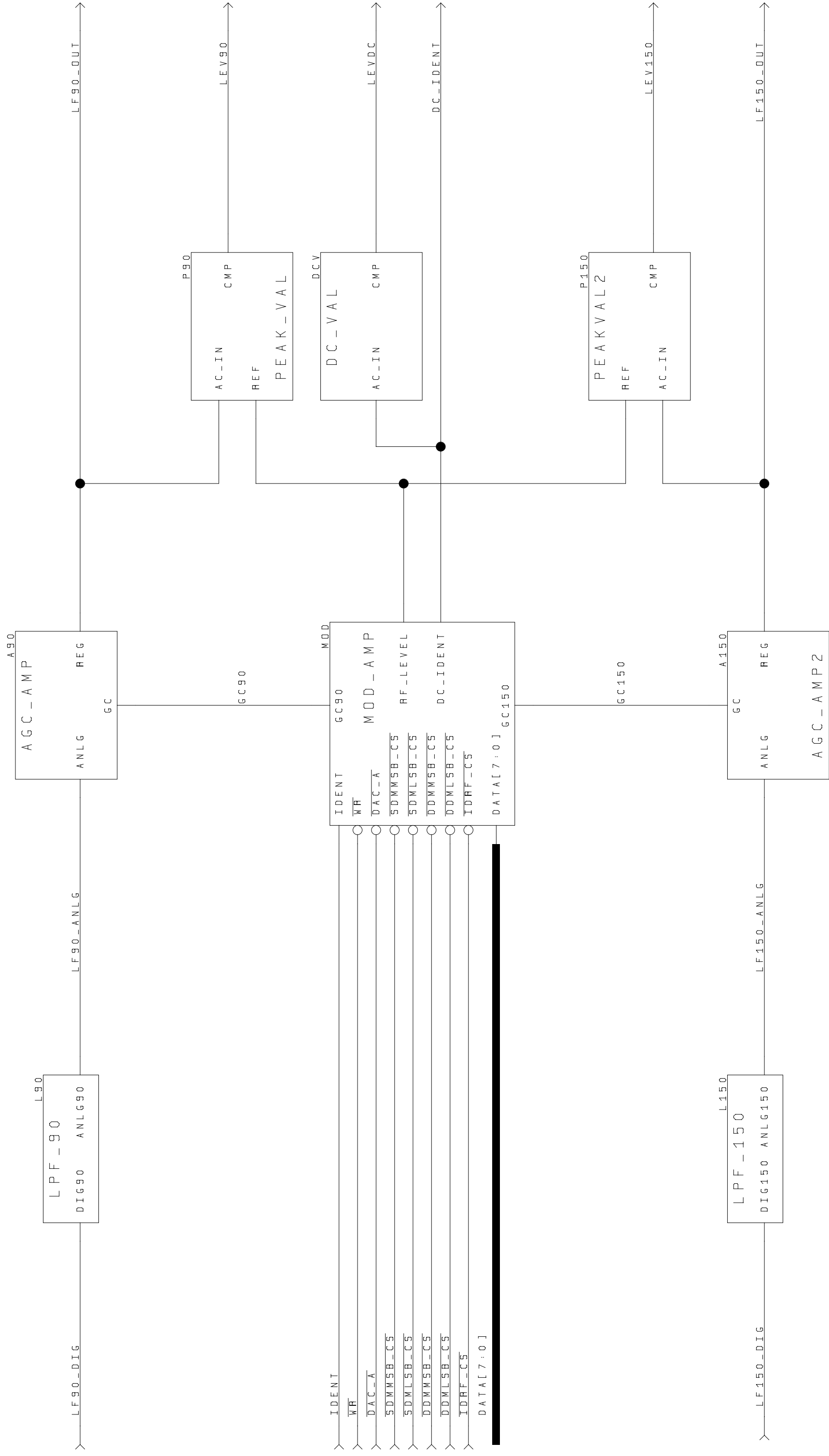


Normarc

Copyright and all modification rights reserved NAVIAVIATION AS, NORWAY

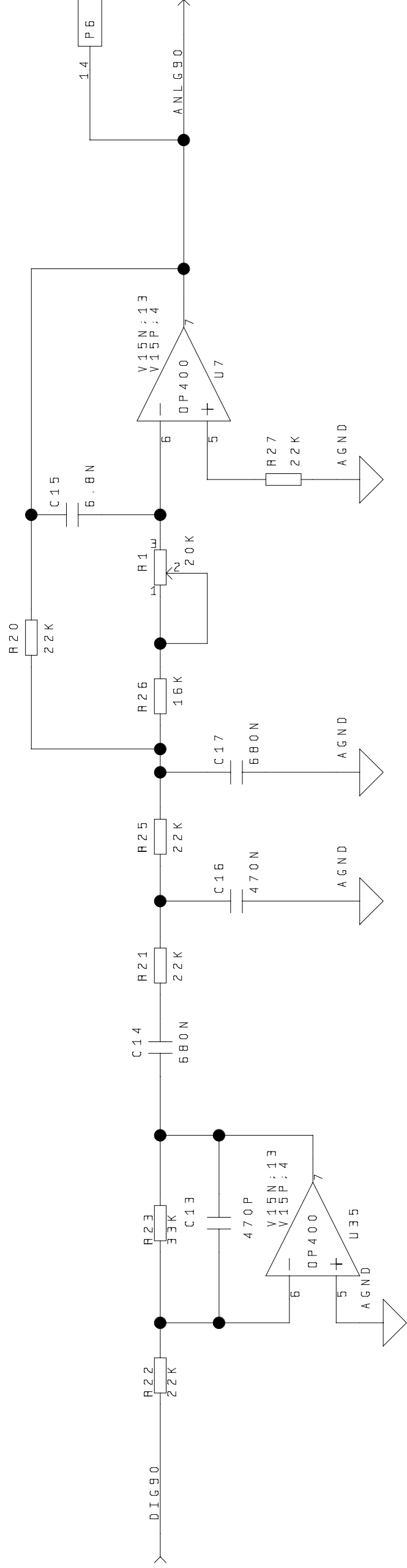


REF. NO.	ISSUE	DATE	SIGN	DESCRIPTION	DRAWN	10.10.94	ER		
2837	7	13.11.96	ER	CIRCUIT DIAGRAM	CHECKED	11-13-1996-12-09	ER		
2701	6	10.04.96	ER		APPR.	10.10.94	JSA		
2498	5	29.09.95	ER	NAME: L P F _ 1 0 2 0 MODULE: L F 1 2 2 3 A	#SCH.:	24	#HDL:	SIZE: A3	SHEET: 5
2403	4	03.07.95	ER		DWG. NO.:	15472	VERSION:	7	
2259	3	16.03.95	ER	 Normarc Copyright and all modification rights reserved NAVIA AVIATION AS, NORWAY					
2205	2	08.02.95	ER						

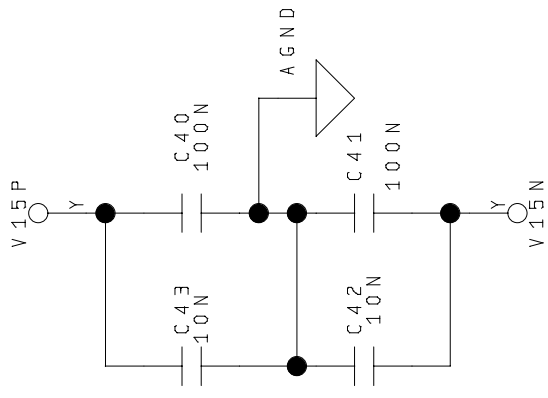
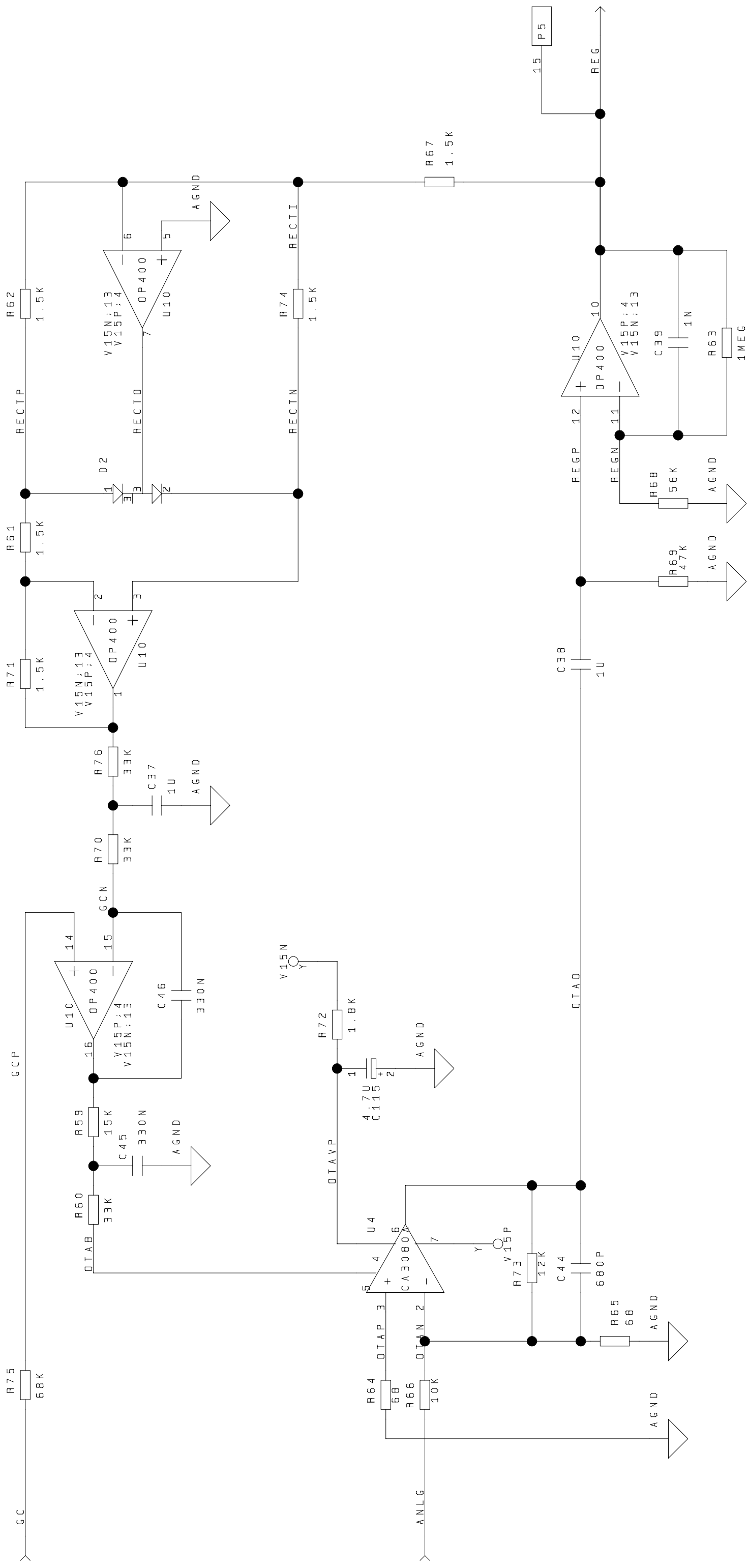


REF. NO.	ISSUE	DATE	STGN	DESCRIPTION	DRAWN	10.10.94	ER	
2837	7	13.11.96	ER	CIRCUIT DIAGRAM	CHECKED	11-13-1996-12-15	ER	
2701	6	10.04.96	ER		APPR.	10.10.94	JSA	
2498	5	29.09.95	ER		#SCH.	24	#HDL.	SIZE.
2403	4	03.07.95	ER		NAME.	LF-MIX	LF1223A	A3
2259	3	16.03.95	ER		DWG. NO.	15472	VERSION.	7
2205	2	08.02.95	ER		PROJECT	Normarc		

Copyright and all modification rights reserved NAVIAVIATION AS, NORWAY



REF. NO.	ISSUE	DATE	STGN	DESCRIPTION	DRAWN	10.10.94	ER			
2837	7	13.11.96	ER	CIRCUIT DIAGRAM	CHECKED	11-13-1996-12-18	ER			
2701	6	10.04.96	ER		APPR.	10.10.94	JSA			
2498	5	29.09.95	ER	NAME: LPF_90 MODULE: L F 1 2 2 3 A	#SCH.	24	#HDL.	SIZE: A3	SHEET: 7	
2403	4	03.07.95	ER		DWG. NO.	15472	VERSION:	7		
2259	3	16.03.95	ER	PROJECT: Normarc Copyright and all modification rights reserved NAVIA AVIATION AS, NORWAY						
2205	2	08.02.95	ER							

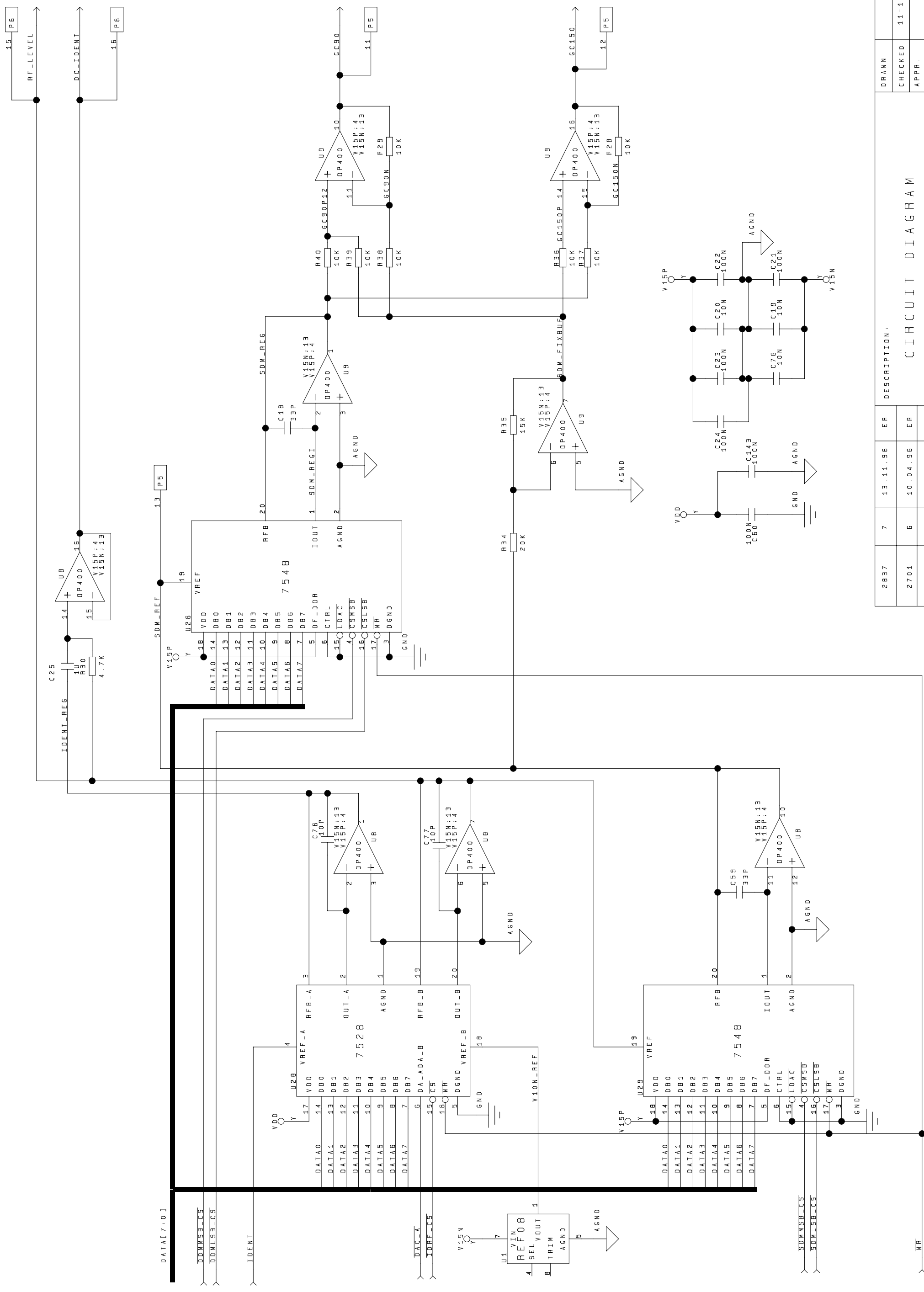


REF. NO.	ISSUE	DATE	SIGN	DESCRIPTION	DRAWN	10.10.94	ER	
2837	7	13.11.96	ER	CIRCUIT DIAGRAM		10.10.94	ER	
2701	6	10.04.96	ER		CHECKED	11-13-1996-12-21	JSA	
2498	5	29.09.95	ER		APPR.	10.10.94		
2403	4	03.07.95	ER		#SCH.	24	#HDL.	SIZE.
2259	3	16.03.95	ER		NAME.	A GC - AMP	MODULE.	L F 1 2 2 3 A
2205	2	08.02.95	ER					
				DWG. NO.	15472		VERSION.	
				PROJECT.				

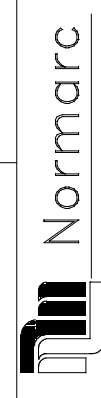


Normarc

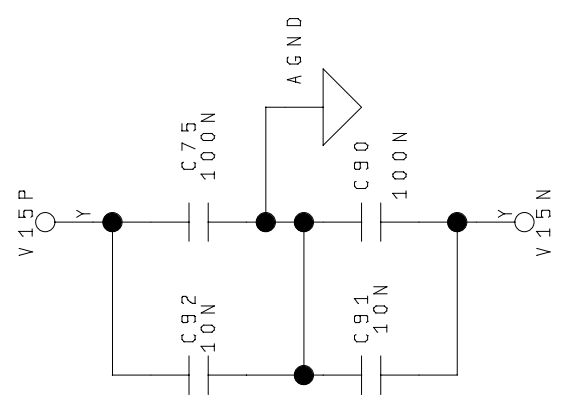
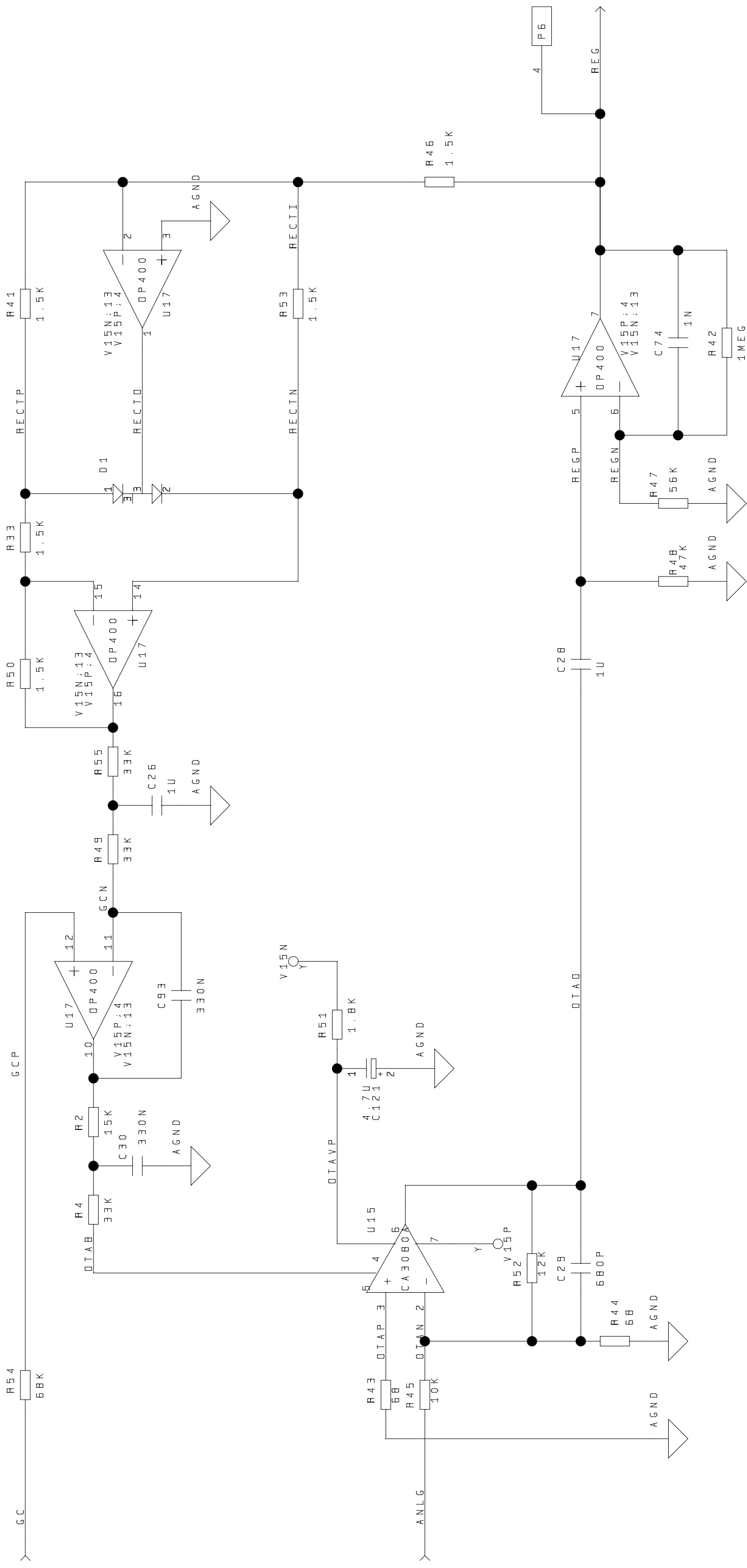
Copyright and all modification rights reserved NAVIAVIATION AS, NORWAY



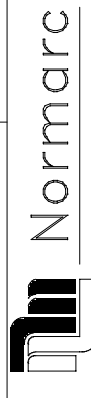
REF. NO.	ISSUE	DATE	SIGN	DESCRIPTION	DRAWN	10.10.94	ER	
2037	7	13.11.96	ER	CIRCUIT DIAGRAM	CHECKED	11-13-1996-12.23	ER	
2701	6	10.04.96	ER		APPR.	10.10.94	JSA	
2498	5	29.09.95	ER		#SCH.	24	SIZE	A3
2403	4	03.07.95	ER		NAME	MOD_AMP	MODULE	LF1223A
2259	3	16.03.95	ER		DWG. NO.	15472	VERSION	7
2205	2	08.02.95	ER	PROJECT				



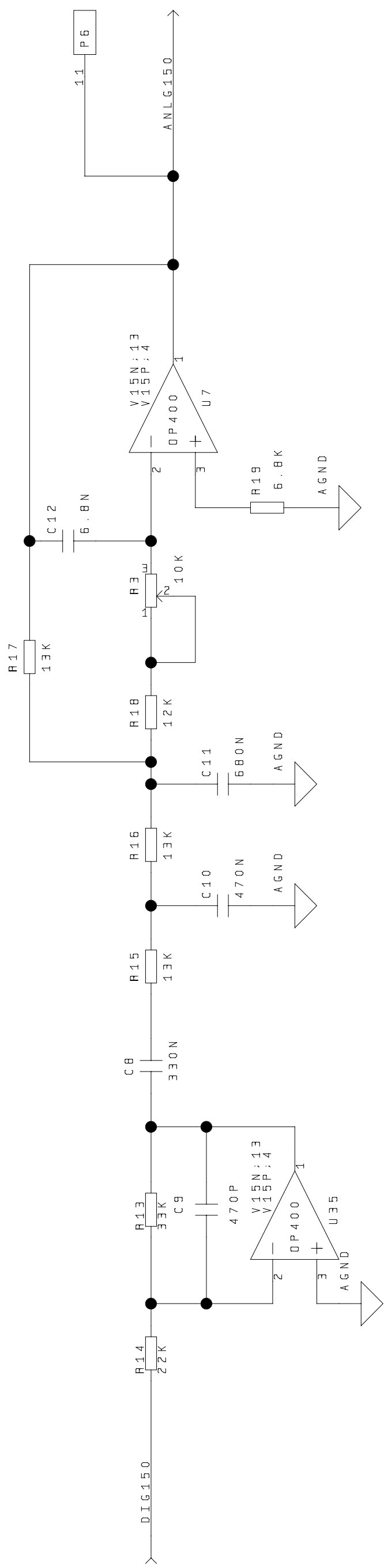
Copyright and all modification rights reserved NAVIAVIATION AS, NORWAY




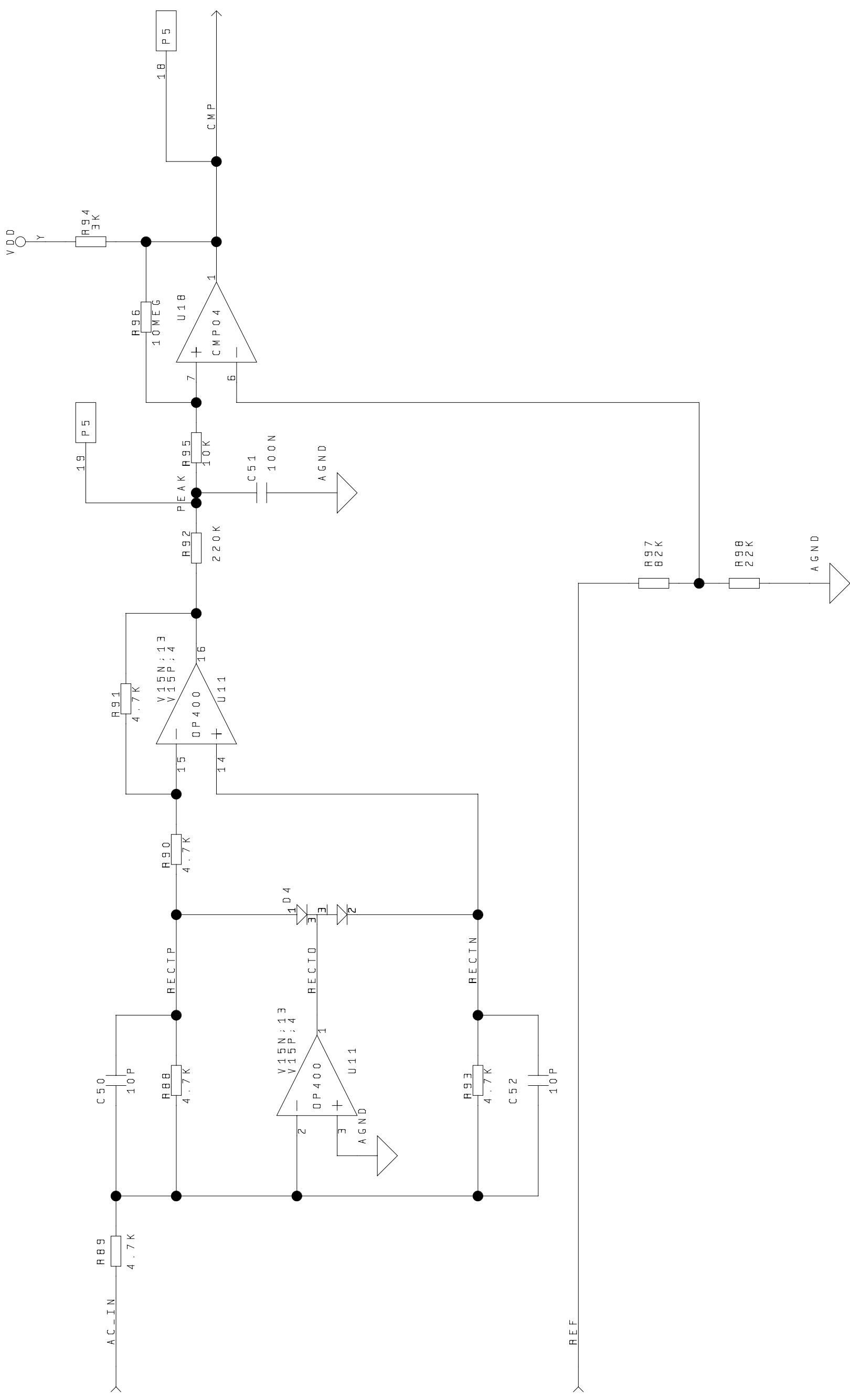
REF. NO.	ISSUE	DATE	STGN	DESCRIPTION	DRAWN	10.10.94	ER	
2837	7	13.11.96	ER	CIRCUIT DIAGRAM	CHECKED	11-13-1996-12-26	ER	
2701	6	10.04.96	ER		APPR.	10.10.94	JSA	
2498	5	29.09.95	ER		#SCH.	24	SIZE	SHEET
2403	4	03.07.95	ER		NAME	AGC-AMP2	#HDL	A3
2259	3	16.03.95	ER		MODULE	LF1223A	VERSION	10
2205	2	08.02.95	ER	DWG. NO.	15472	PROJECT	7	



Normarc
Copyright and all modification rights reserved NAVIAVIATION AS, NORWAY



REF. NO.	ISSUE	DATE	STGN	DESCRIPTION	DRAWN	10.10.94	ER				
2837	7	13.11.96	ER	CIRCUIT DIAGRAM	CHECKED	11-13-1996-12-28	ER				
2701	6	10.04.96	ER		APPR.	10.10.94	JSA				
2498	5	29.09.95	ER	NAME: LFP-150 MODULE: L F 1 2 2 3 A	#SCH.	24	#HDL.	SIZE:	A3	SHEET:	11
2403	4	03.07.95	ER		DWG. NO.	15472	VERSION:	7			
2259	3	16.03.95	ER	 Copyright and all modification rights reserved NAVIA AVIATION AS, NORWAY							
2205	2	08.02.95	ER								

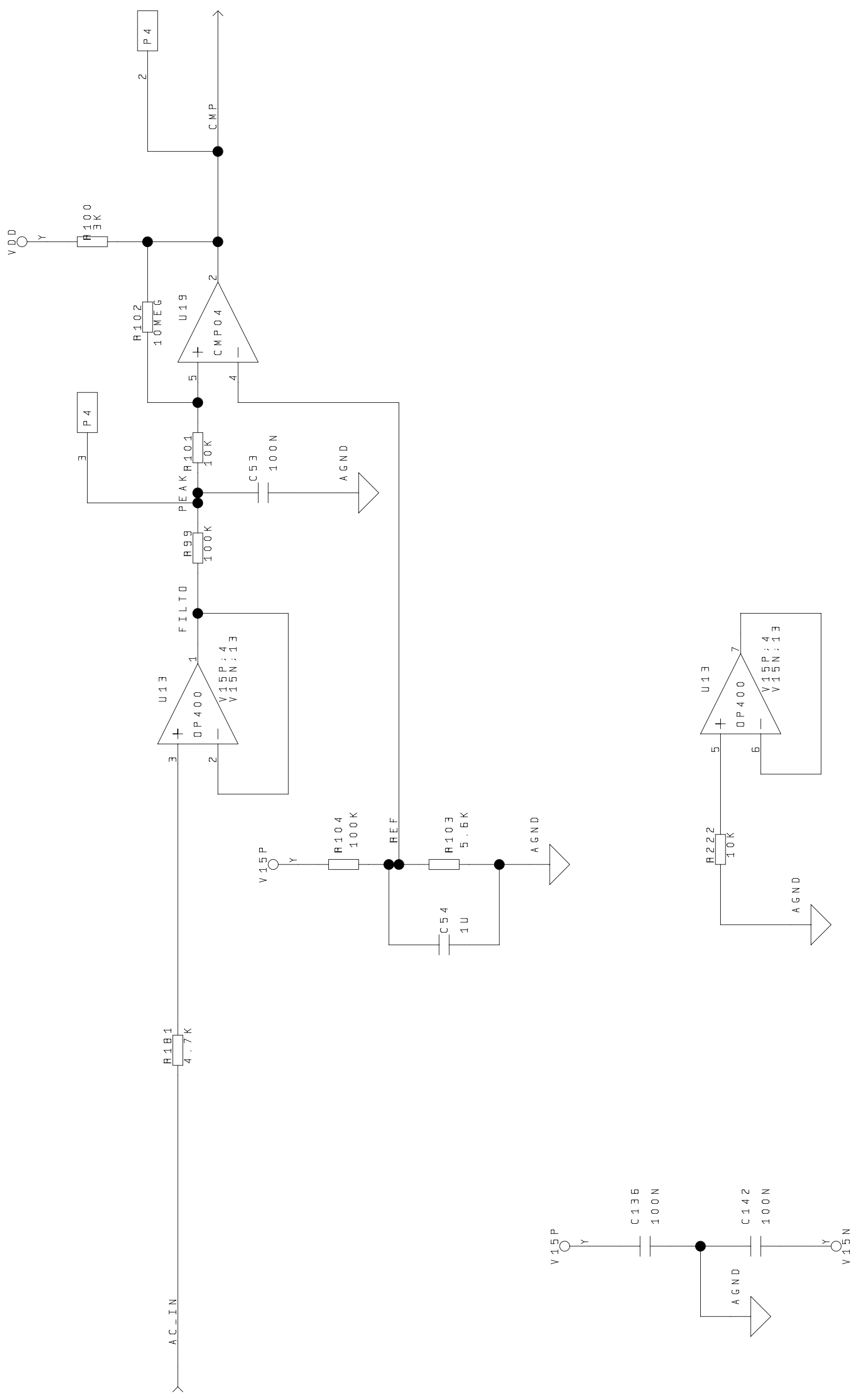


REF. NO.	ISSUE	DATE	STGN	DESCRIPTION	DRAWN	10.10.94	ER	
2837	7	13.11.96	ER	CIRCUIT DIAGRAM	CHECKED	11-13-1996-12.30	ER	
2701	6	10.04.96	ER		APPR.	10.10.94	JSA	
2498	5	29.09.95	ER		#SCH.	24	#HDL.	SIZE.
2403	4	03.07.95	ER		NAME.	LF1223A	A3	SHEET.
2259	3	16.03.95	ER		MODULE.			12
2205	2	08.02.95	ER		DWG. NO.	15472		VERSION.
							7	

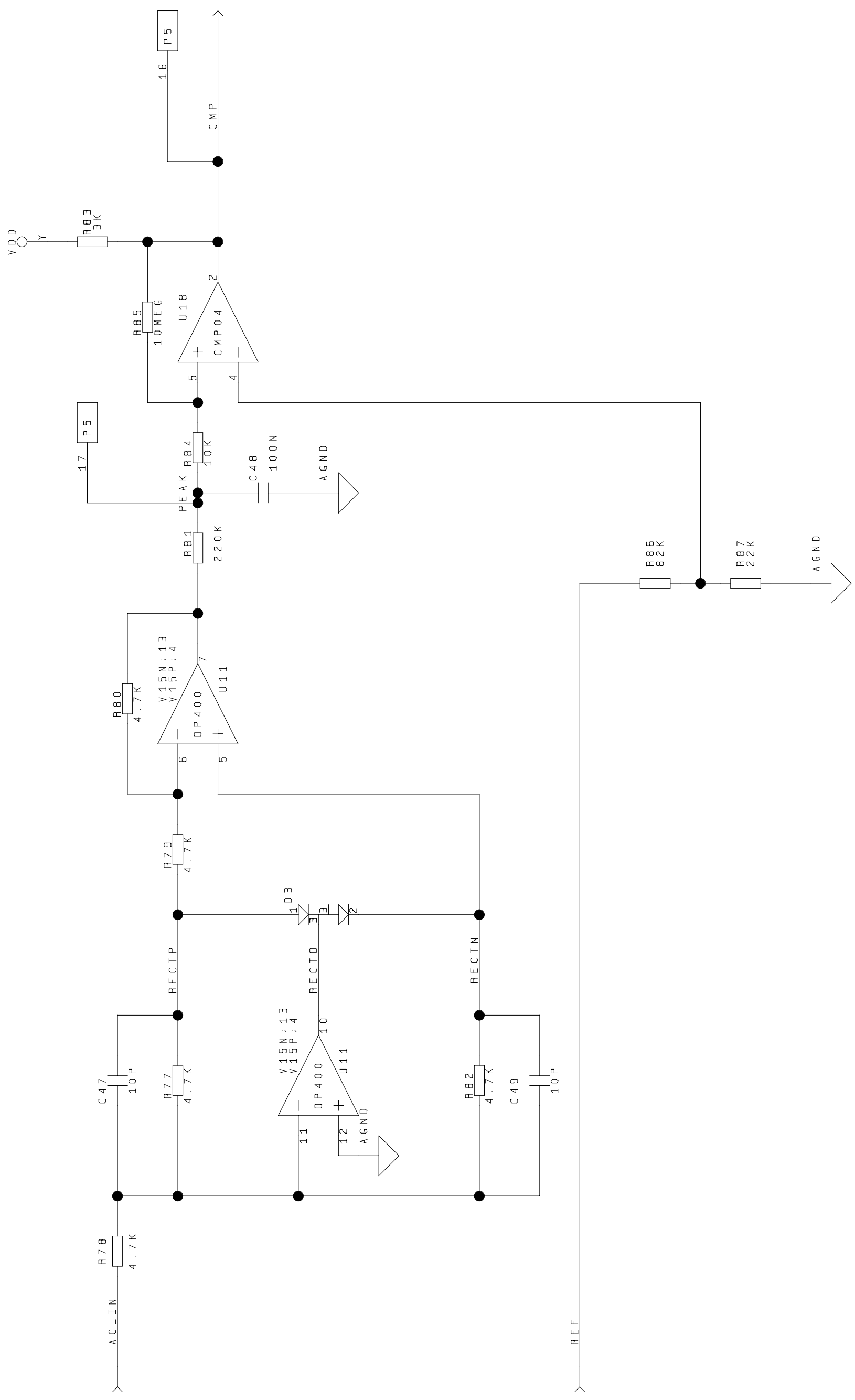


Copyright and all modification rights reserved NAVIA AVIATION AS, NORWAY

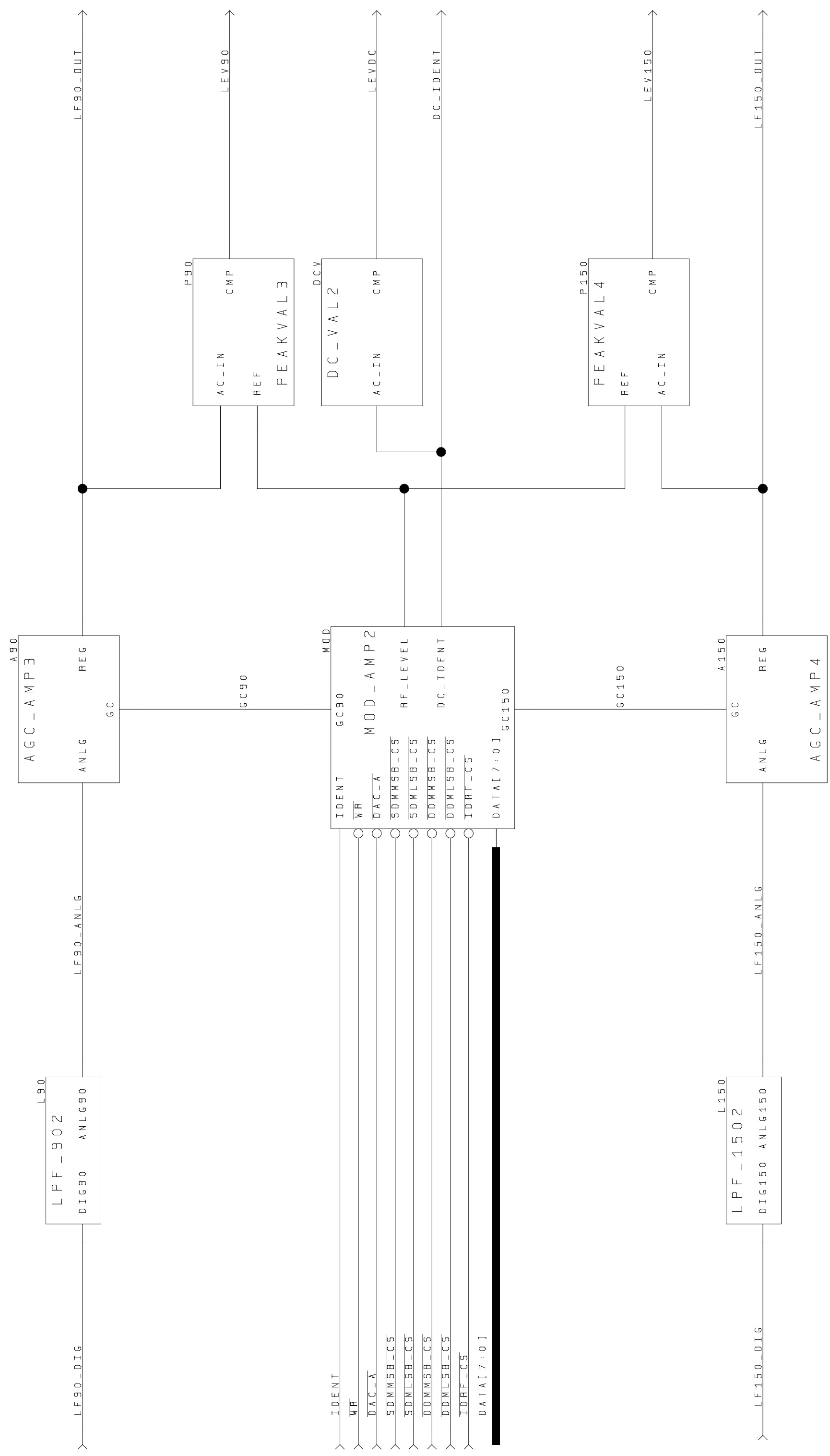
PROJECT



2837	7	13.11.96	ER	DESCRIPTION:	DRAWN	10.10.94	ER
2701	6	10.04.96	ER	CIRCUIT DIAGRAM	CHECKED	11-13-1996-12-32	JSA
2498	5	29.09.95	ER	NAME: DC-VAL MODULE: LF1223A	APPR.	10.10.94	SHEET: 13
2403	4	03.07.95	ER		#SCH.:	24	
2259	3	16.03.95	ER	PROJECT: Normarc Copyright and all modification rights reserved NAVIA AVIATION AS, NORWAY	DWG. NO.:	15472	VERSION: 7
2205	2	08.02.95	ER		ISSUE	DATE	

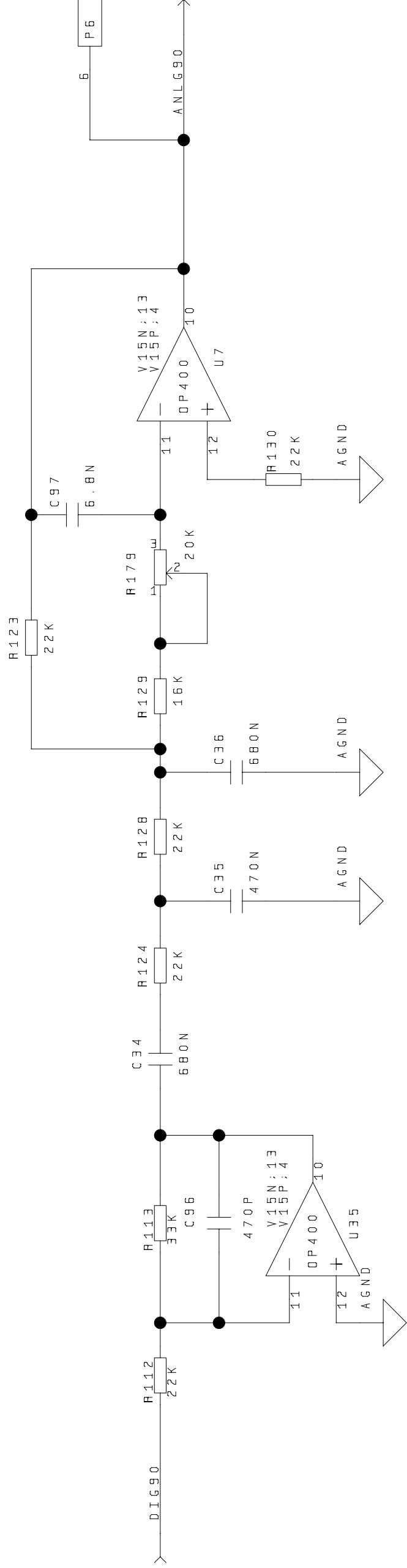



2837	7	13.11.96	ER	DESCRIPTION:	DRAWN	10.10.94	ER
2701	6	10.04.96	ER	CIRCUIT DIAGRAM	CHECKED	11-13-1996-12-33	JSA
2498	5	29.09.95	ER	NAME: PEAKVAL2 MODULE: LF1223A	APPR.	10.10.94	
2403	4	03.07.95	ER		#SCH.:	24	#HDL.:
2259	3	16.03.95	ER	PROJECT: Normarc Copyright and all modification rights reserved NAVIAVIATION AS, NORWAY	DWG. NO.:	15472	VERSION:
2205	2	08.02.95	ER		REF. NO.:	ISSUE	DATE

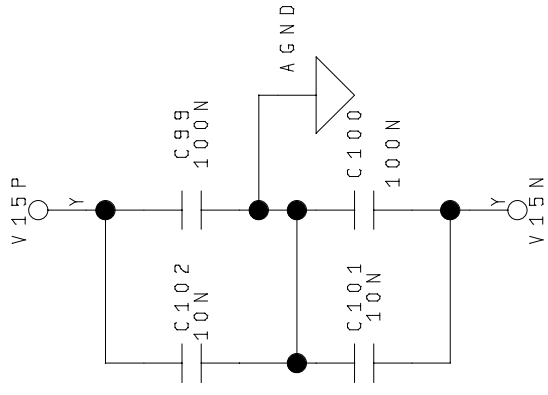
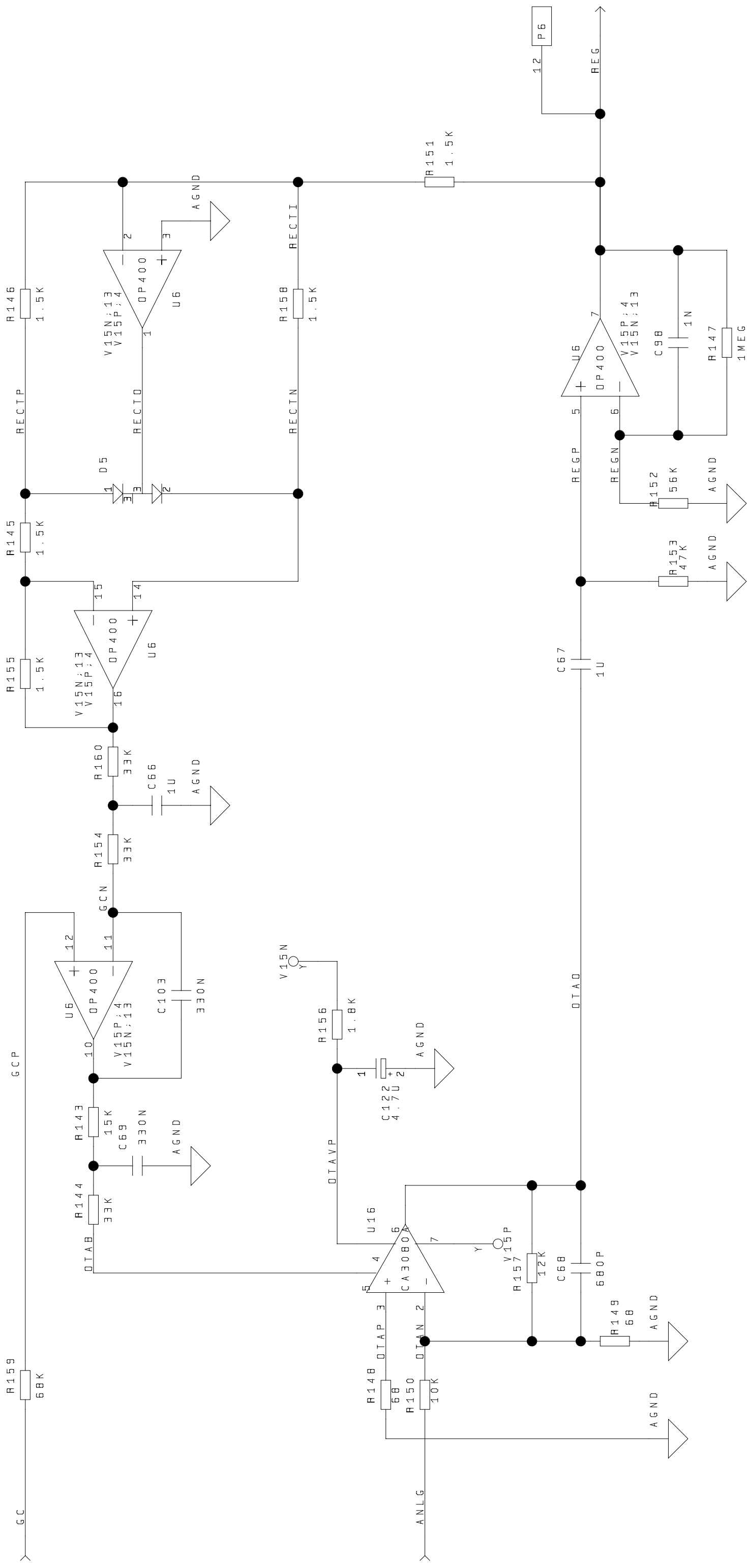


REF. NO.	ISSUE	DATE	STGN	DESCRIPTION	DRAWN	10.10.94	ER	
2837	7	13.11.96	ER	CIRCUIT DIAGRAM	CHECKED	11-13-1996-13.09	JSA	
2701	6	10.04.96	ER		APPR.	10.10.94		
2498	5	29.09.95	ER		#SCH.	24	SIZE	A3
2403	4	03.07.95	ER		NAME	LF-MIX2	MODULE	LF1223A
2259	3	16.03.95	ER		DWG. NO.	15472	VERSION	7
2205	2	08.02.95	ER		PROJECT	Normarc		

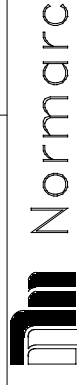
Normarc
Copyright and all modification rights reserved NAVIAVIATION AS, NORWAY



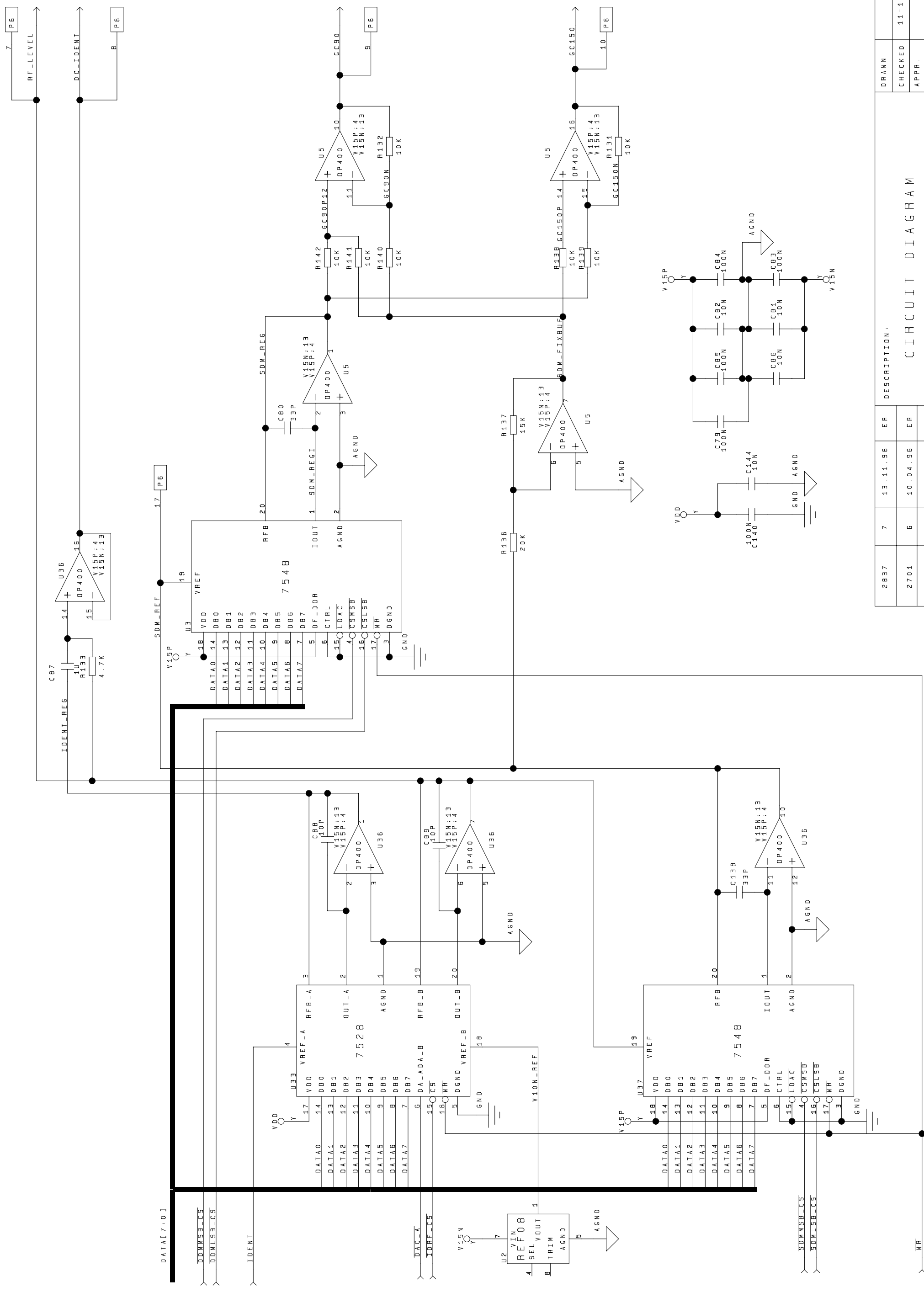
REF. NO.	ISSUE	DATE	STGN	DESCRIPTION	DRAWN	10.10.94	ER	
2837	7	13.11.96	ER	CIRCUIT DIAGRAM	CHECKED	11-13-1996-12.40	ER	
2701	6	10.04.96	ER		APPR.	10.10.94	JSA	
2498	5	29.09.95	ER	NAME: LPF_902 MODULE: L F 1 2 2 3 A	#SCH.:	24	#HDL.:	
2403	4	03.07.95	ER		SIZE:	A3	SHEET:	16
2259	3	16.03.95	ER	DWG. NO.:	15472	VERSION:	7	
2205	2	08.02.95	ER	 Normarc Copyright and all modification rights reserved NAVIA AVIATION AS, NORWAY				PROJECT:



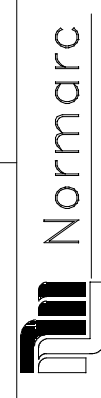
REF. NO.	ISSUE	DATE	SIGN	DESCRIPTION:	DRAWN	10.10.94	ER	
2837	7	13.11.96	ER	CIRCUIT DIAGRAM	CHECKED	11-13-1996-12.55	ER	
2701	6	10.04.96	ER		APPR.	10.10.94	JSA	
2498	5	29.09.95	ER		#SCH.	24	SIZE:	A3
2403	4	03.07.95	ER		NAME:	AGC-AMP3	MODULE:	LF1223A
2259	3	16.03.95	ER	DWG. NO.:	15472	VERSION:	7	
2205	2	08.02.95	ER	PROJECT:				



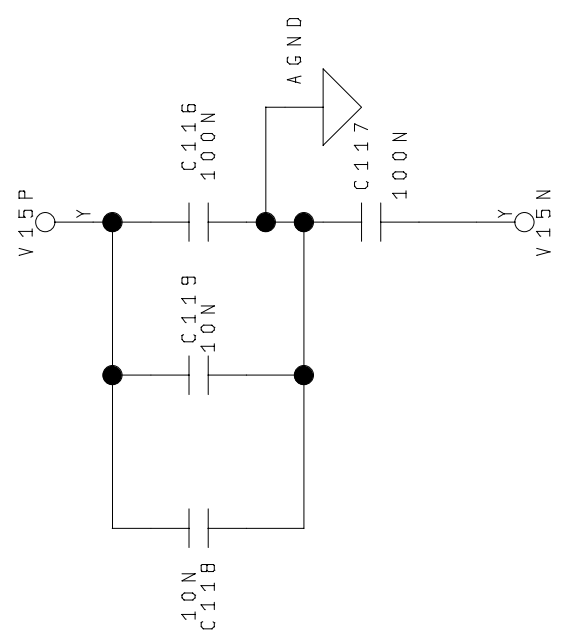
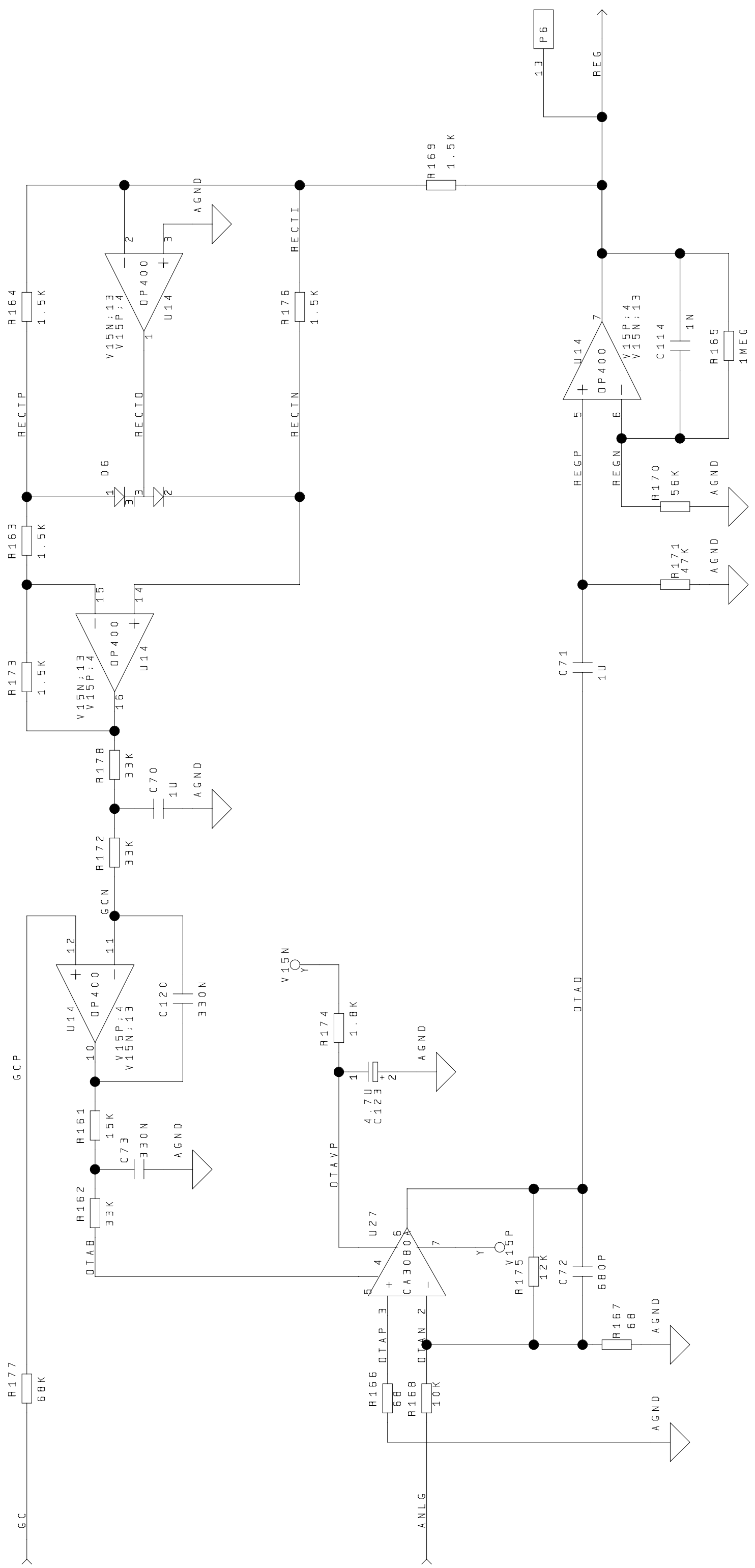
Copyright and all modification rights reserved NAVIAVIATION AS, NORWAY



REF.NO.	ISSUE	DATE	SIGN	DESCRIPTION	DRAWN	10.10.94	ER	
2037	7	13.11.96	ER	CIRCUIT DIAGRAM	CHECKED	11-13-1996-12.57	ER	
2701	6	10.04.96	ER		APPR.	10.10.94	JSA	
2498	5	29.09.95	ER		#SCH.	24	#HDL.	SIZE.
2403	4	03.07.95	ER		NAME.	MOD_AMP2	MODULE.	A3
2259	3	16.03.95	ER			LF1223A		SHEET.
2205	2	08.02.95	ER				18	
					DWG.NO.	15472	VERSION.	
					PROJECT.		7	

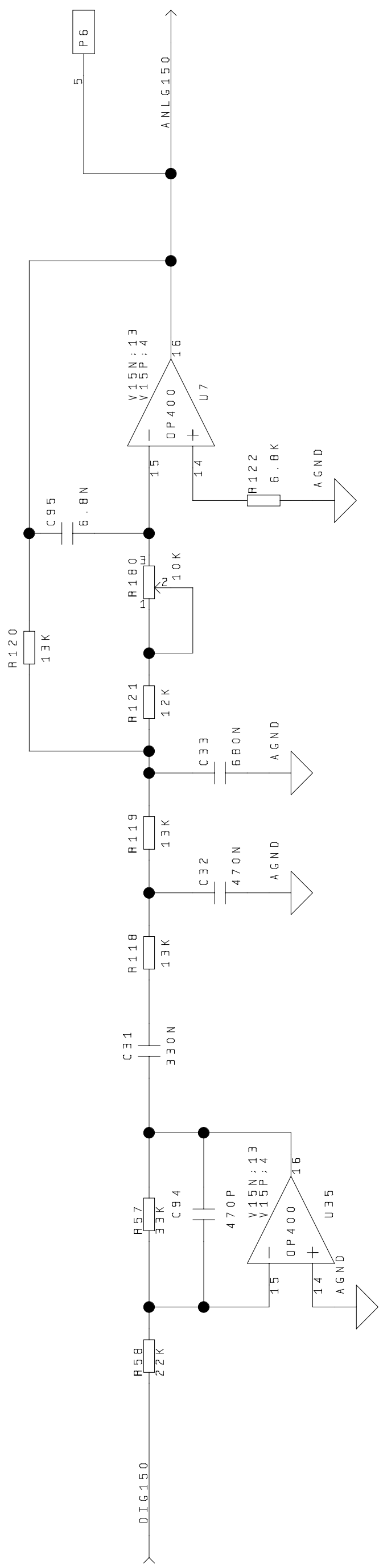



Copyright and all modification rights reserved NAVIAVIATION AS, NORWAY

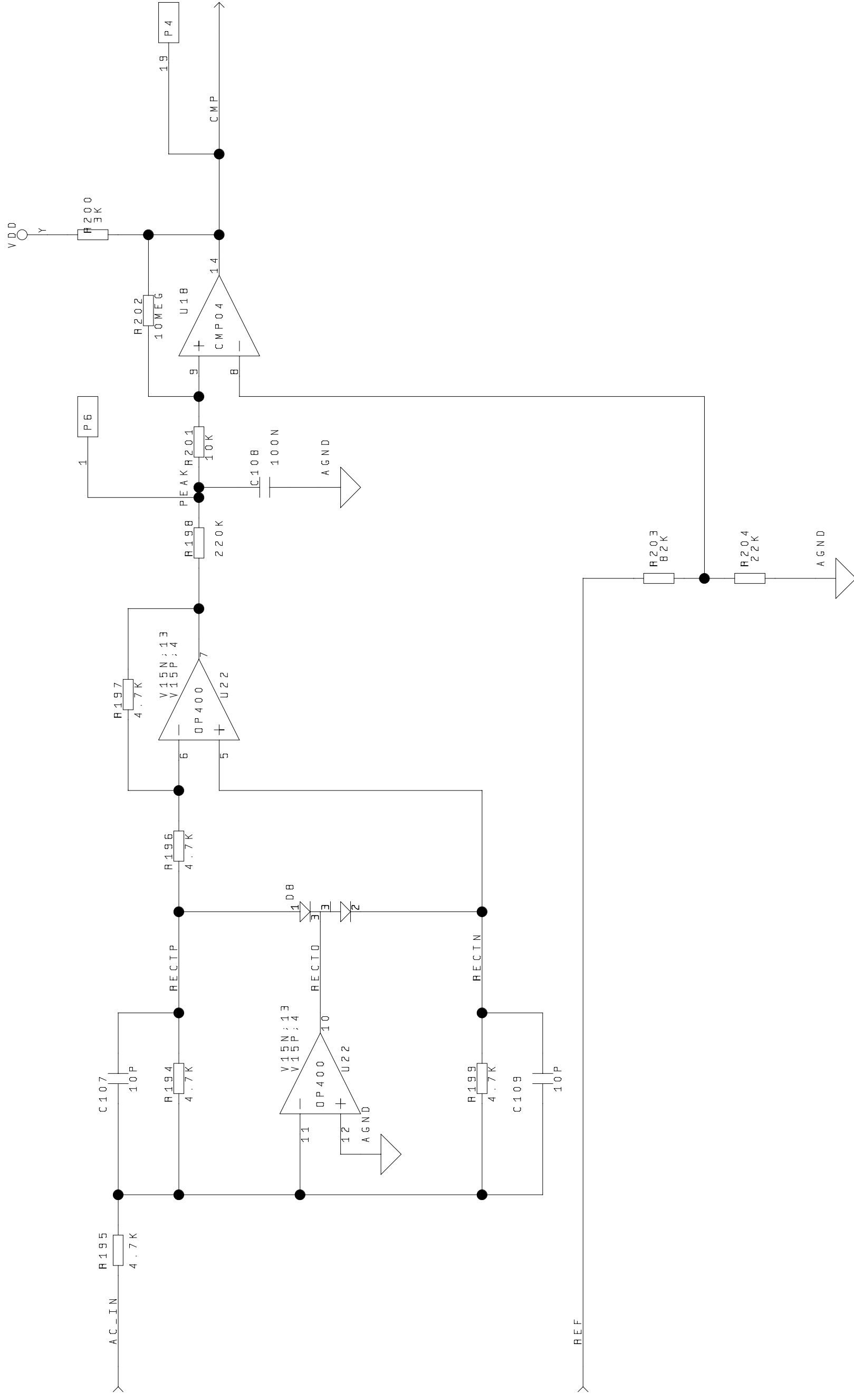


REF. NO.	ISSUE	DATE	STGN	DESCRIPTION	DRAWN	10.10.94	ER		
2837	7	13.11.96	ER	CIRCUIT DIAGRAM	CHECKED	11-13-1996-12.59	ER		
2701	6	10.04.96	ER		APPR.	10.10.94	JSA		
2498	5	29.09.95	ER		#SCH.	24	SIZE	A3	
2403	4	03.07.95	ER		NAME	AGC-AMP4		MODULE	LF1223A
2259	3	16.03.95	ER		DWG. NO.	15472		VERSION	7
2205	2	08.02.95	ER		PROJECT	Normarc			

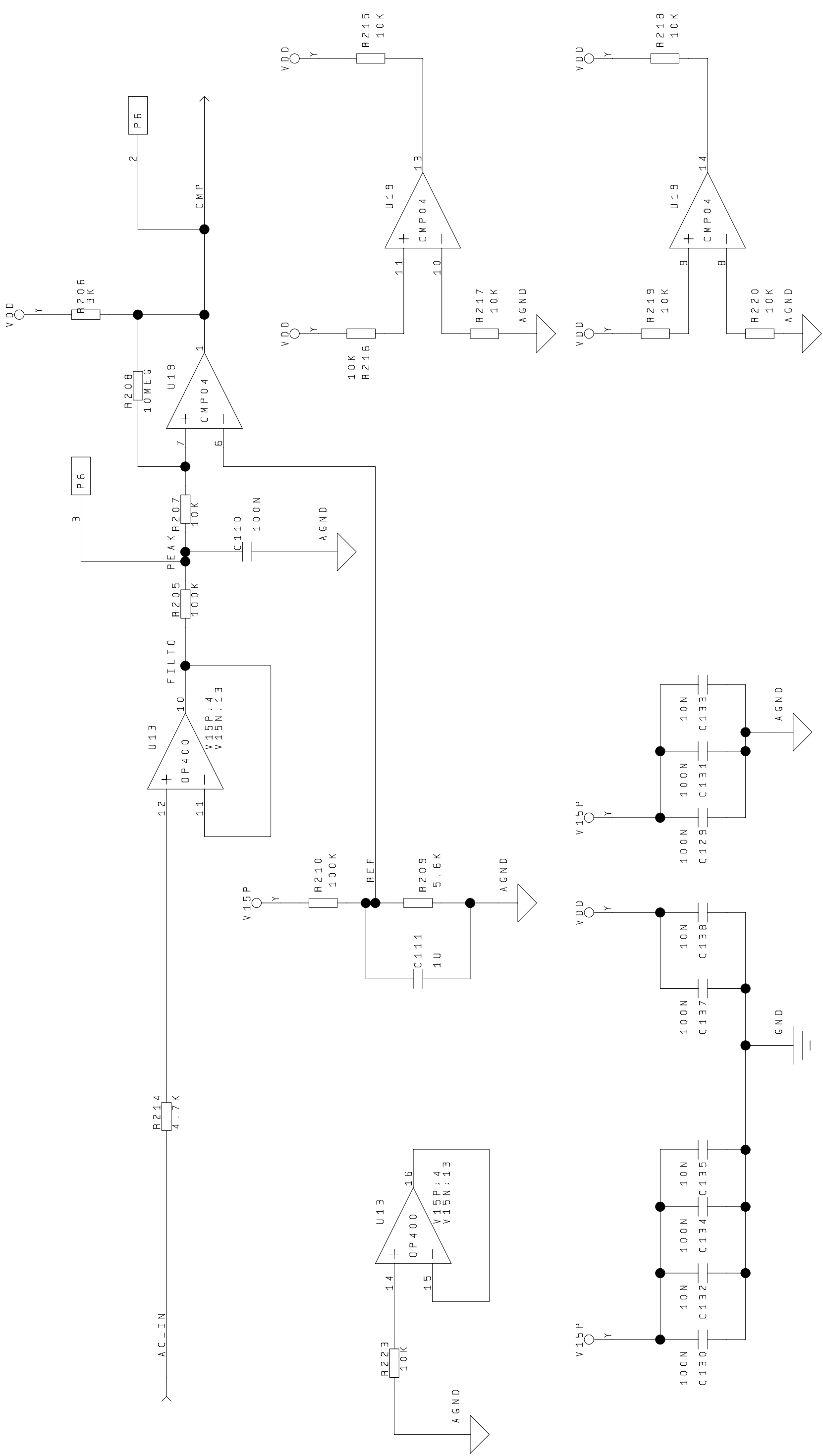
Copyright and all modification rights reserved NAVIAVIATION AS, NORWAY



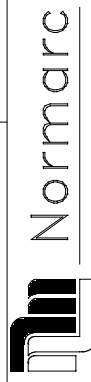
REF. NO.	ISSUE	DATE	SIGN	DESCRIPTION	DRAWN	10.10.94	ER		
2837	7	13.11.96	ER	CIRCUIT DIAGRAM	CHECKED	11-13-1996-13.04	ER		
2701	6	10.04.96	ER		APPR.	10.10.94	JSA		
2498	5	29.09.95	ER	NAME: LPF_1502 MODULE: L F 1 2 2 3 A	#SCH.:	24	#HDL:	SIZE: A3	SHEET: 20
2403	4	03.07.95	ER		DWG. NO.:	15472	VERSION:	7	
2259	3	16.03.95	ER	 Normarc Copyright and all modification rights reserved NAVIA AVIATION AS, NORWAY					
2205	2	08.02.95	ER						



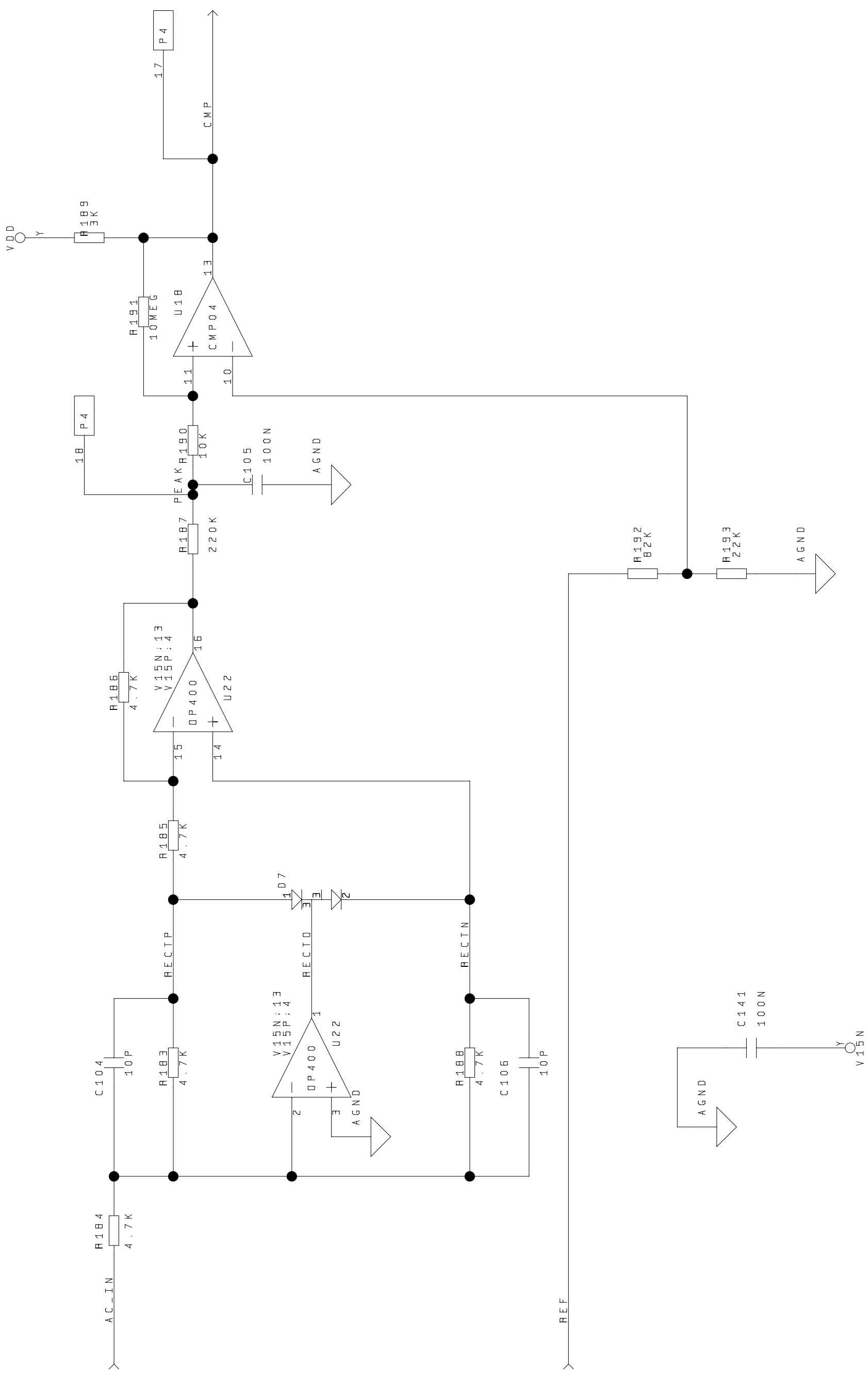
REF. NO.	ISSUE	DATE	STGN	DESCRIPTION	DRAWN	10.10.94	ER	
2837	7	13.11.96	ER	CIRCUIT DIAGRAM	CHECKED	11-13-1996-13.06	ER	
2701	6	10.04.96	ER		APP.	10.10.94	JSA	
2498	5	29.09.95	ER		#SCH.	24	#HDL.	SIZE.
2403	4	03.07.95	ER		MODULE.	L F 1 2 2 3 A	A 3	SHEET.
2259	3	16.03.95	ER		NAME.	PEAKVAL3	A 3	21
2205	2	08.02.95	ER		DWG. NO.	15472	VERSION.	7
				PROJECT.	Normarc			Copyright and all modification rights reserved NAVIAVIATION AS, NORWAY



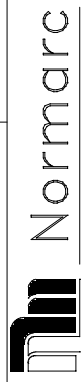
REF. NO.	ISSUE	DATE	STGN	DESCRIPTION	DRAWN	10.10.94	ER	
2837	7	13.11.96	ER	CIRCUIT DIAGRAM	CHECKED	11-13-1996-13.07	ER	
2701	6	10.04.96	ER		APPR.	10.10.94	JSA	
2498	5	29.09.95	ER		#SCH.	24	SIZE	SHEET
2403	4	03.07.95	ER		MODULE	LF1223A	A3	22
2259	3	16.03.95	ER		NAME	DC-VAL2	VERSION	7
2205	2	08.02.95	ER	DWG. NO.	15472	PROJECT		



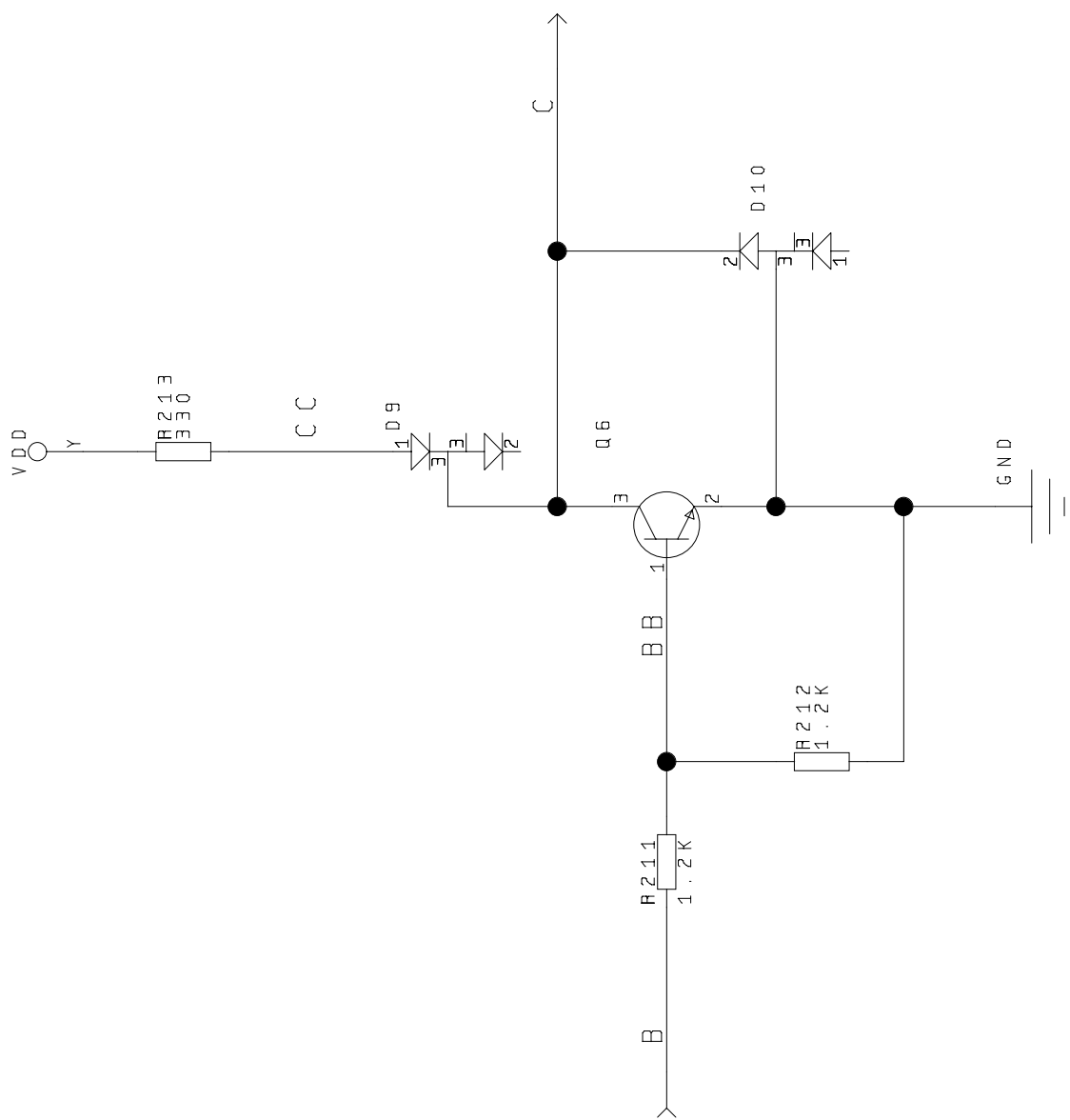
Copyright and all modification rights reserved NAVIA AVIATION AS, NORWAY



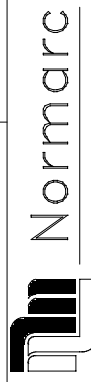
REF. NO.	ISSUE	DATE	STGN	DESCRIPTION	DRAWN	10.10.94	ER	
2837	7	13.11.96	ER	CIRCUIT DIAGRAM	CHECKED	11-13-1996-13-08	ER	
2701	6	10.04.96	ER		APPR.	10.10.94	JSA	
2498	5	29.09.95	ER		#SCH.	24	#HDL.	SIZE.
2403	4	03.07.95	ER		NAME.	LF1223A	A3	SHEET.
2259	3	16.03.95	ER		MODULE.			23
2205	2	08.02.95	ER		DWG. NO.	15472	VERSION.	7
				PROJECT.	PROJECT.			



Copyright and all modification rights reserved NAVIAVIATION AS, NORWAY

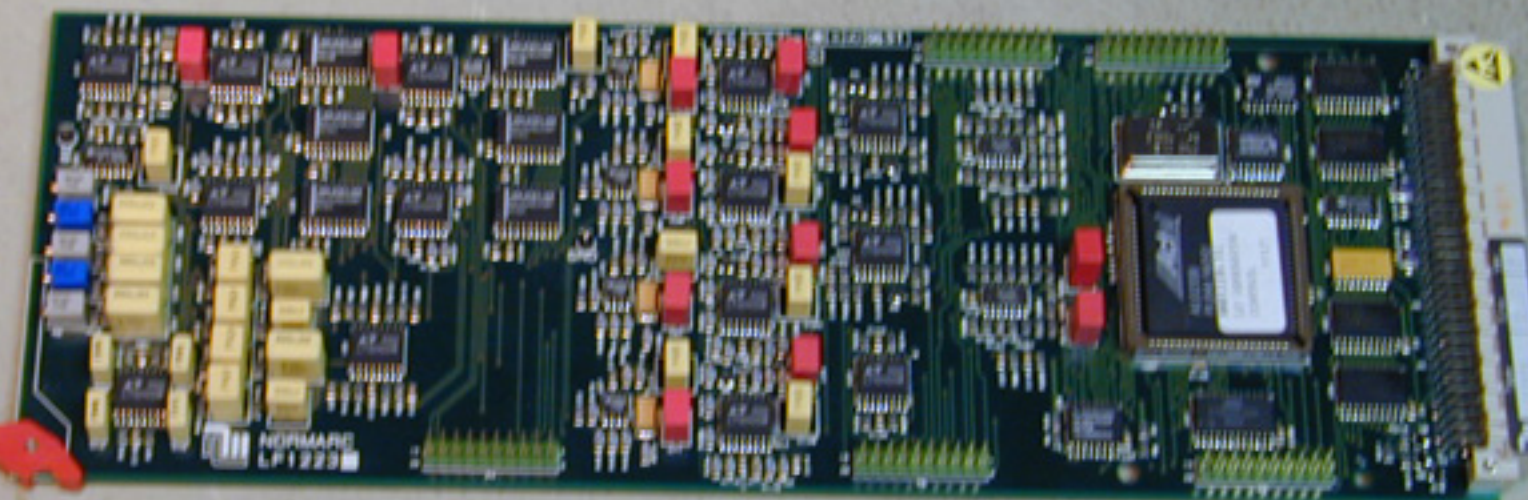


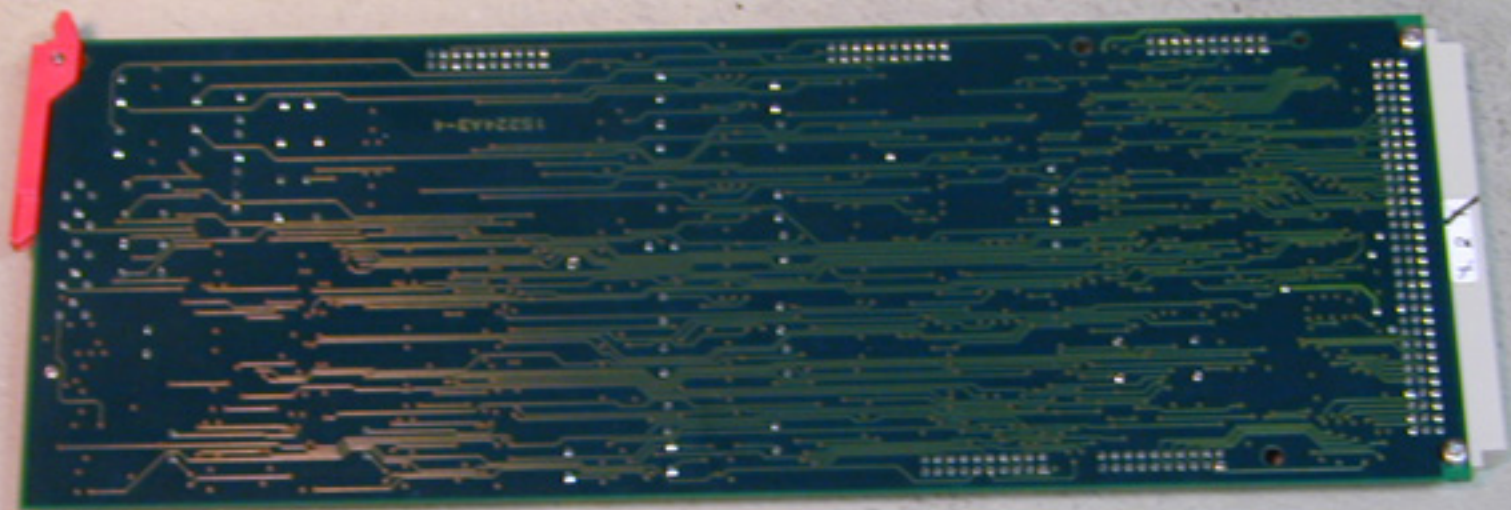
2837	7	13.11.96	ER	DESCRIPTION:		DRAWN	10.10.94	ER
2701	6	10.04.96	ER	CIRCUIT DIAGRAM		CHECKED	11-13-1996-13.11	JSA
2498	5	29.09.95	ER	NAME:		APPR.	10.10.94	
2403	4	03.07.95	ER	MODULE:		#SCH.:	24	#HDL.:
2259	3	16.03.95	ER	LF1223A		SIZE:	A3	VERSION:
2205	2	08.02.95	ER	DWG. NO.:		15472		7
REF. NO.	ISSUE	DATE	SIGN	PROJECT:				



Copyright and all modification rights reserved NAVIA AVIATION AS, NORWAY

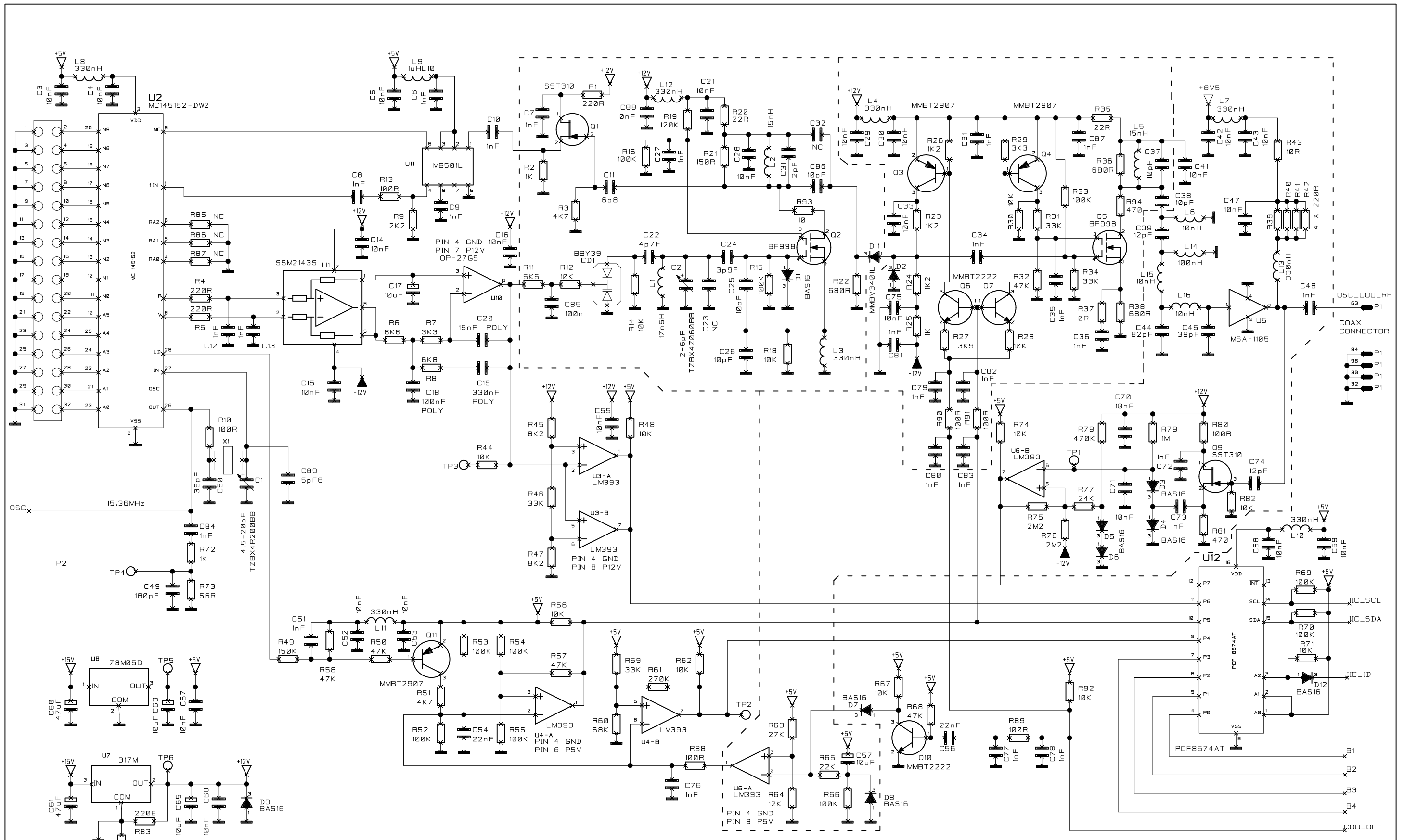
1.2 Photos





2 OS1221B RF Oscillator


2.1 *Circuit Diagrams*



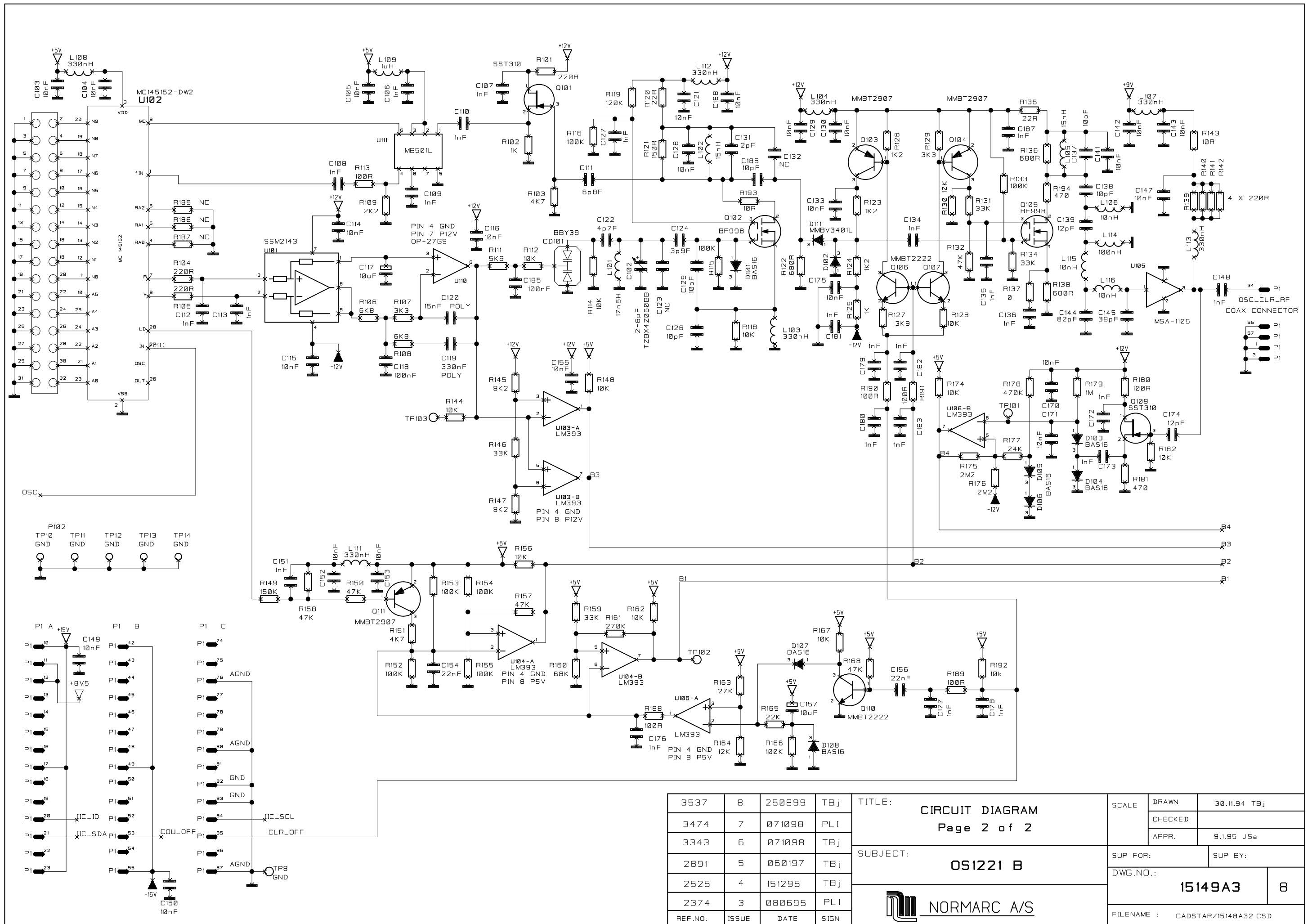
3537	8	250899	TBJ
3474	7	240299	PLI
3343	6	071098	TBJ
2891	5	060197	TBJ
2525	4	151295	TBJ
2374	3	080695	PLI
REF.NO.	ISSUE	DATE	SIGN

TITLE: **CIRCUIT DIAGRAM**
Page 1 of 2

SUBJECT: **051221 B**

 **NORMARC A/S**

SCALE	DRAWN	30.11.94 TBJ
	CHECKED	
	APPR.	9.1.95 JSa
SUP FOR:	SUP BY:	
DWG.NO.:	15149A3	8
FILENAME :	CADSTAR/15148A31.CSD	



3537	8	250899	TBJ
3474	7	071098	PLI
3343	6	071098	TBJ
2891	5	060197	TBJ
2525	4	151295	TBJ
2374	3	080695	PLI
REF.NO.	ISSUE	DATE	SIGN

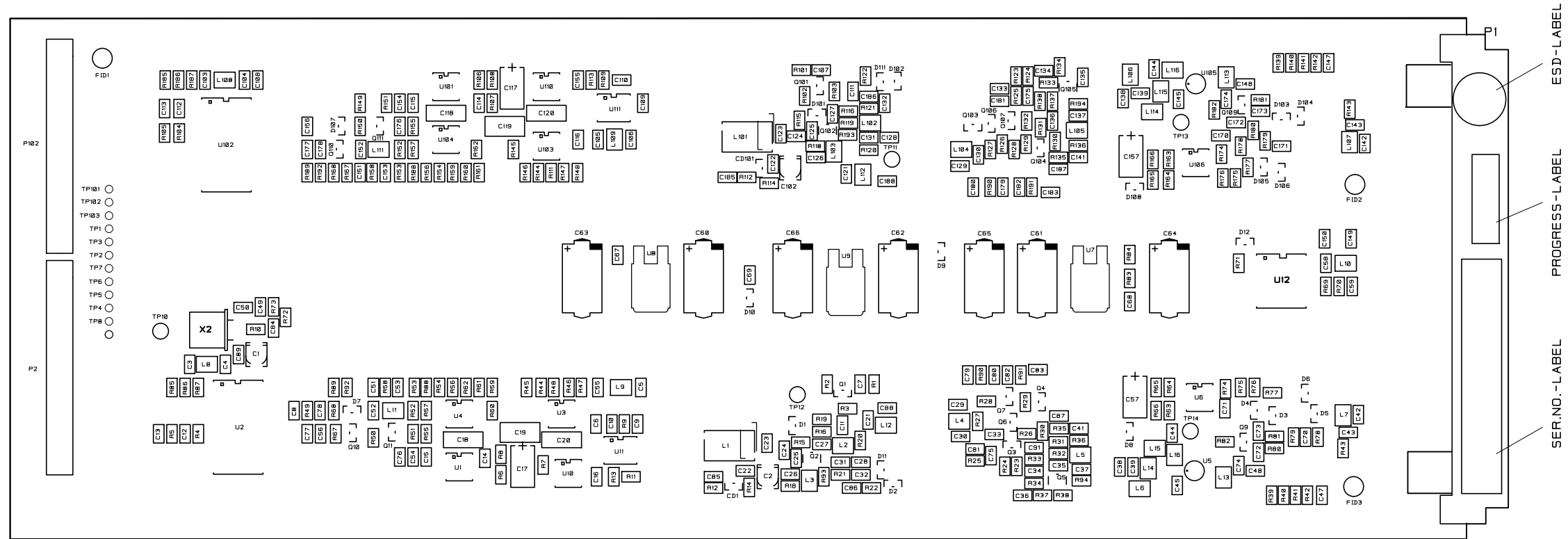
TITLE: **CIRCUIT DIAGRAM**
 Page 2 of 2

SUBJECT: **OS1221 B**

NORMARC A/S

SCALE	DRAWN	30.11.94 TBJ
	CHECKED	
	APPR.	9.1.95 JSa
SUP FOR:	SUP BY:	
DWG.NO.:	15149A3	8
FILENAME :	CADSTAR/15148A32.CSD	

2.2 *Component Location*



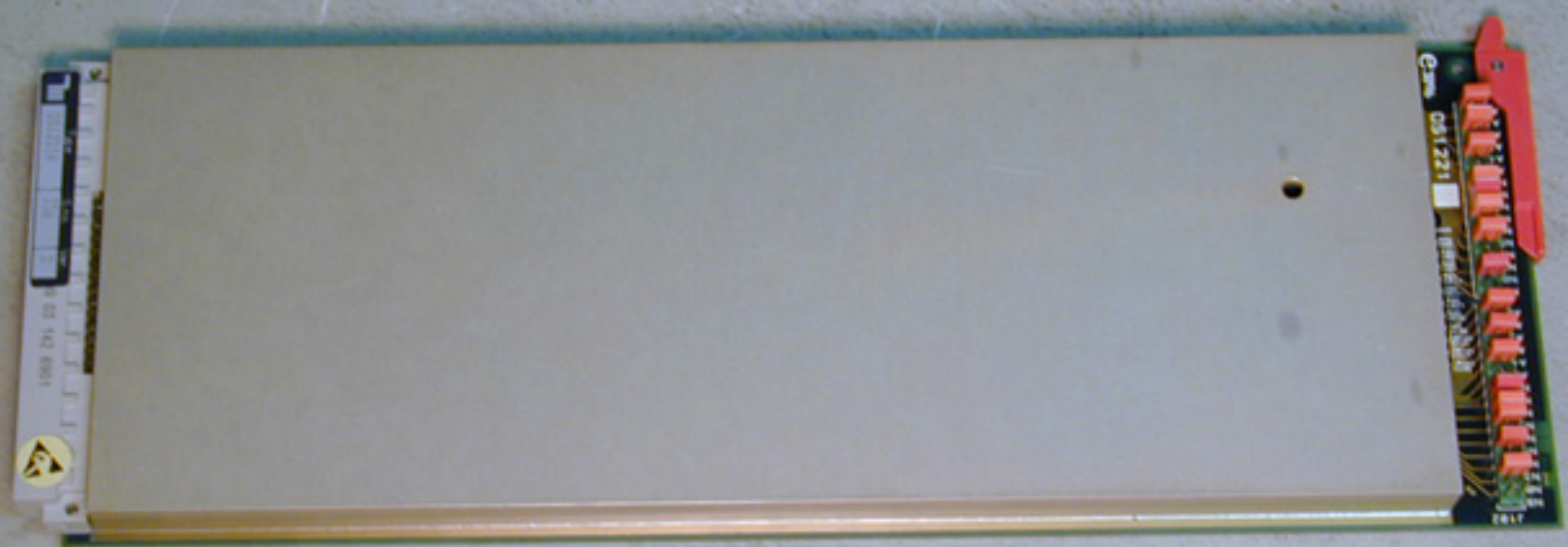
ESD-LABEL
 PROGRESS-LABEL
 SER.NO.-LABEL

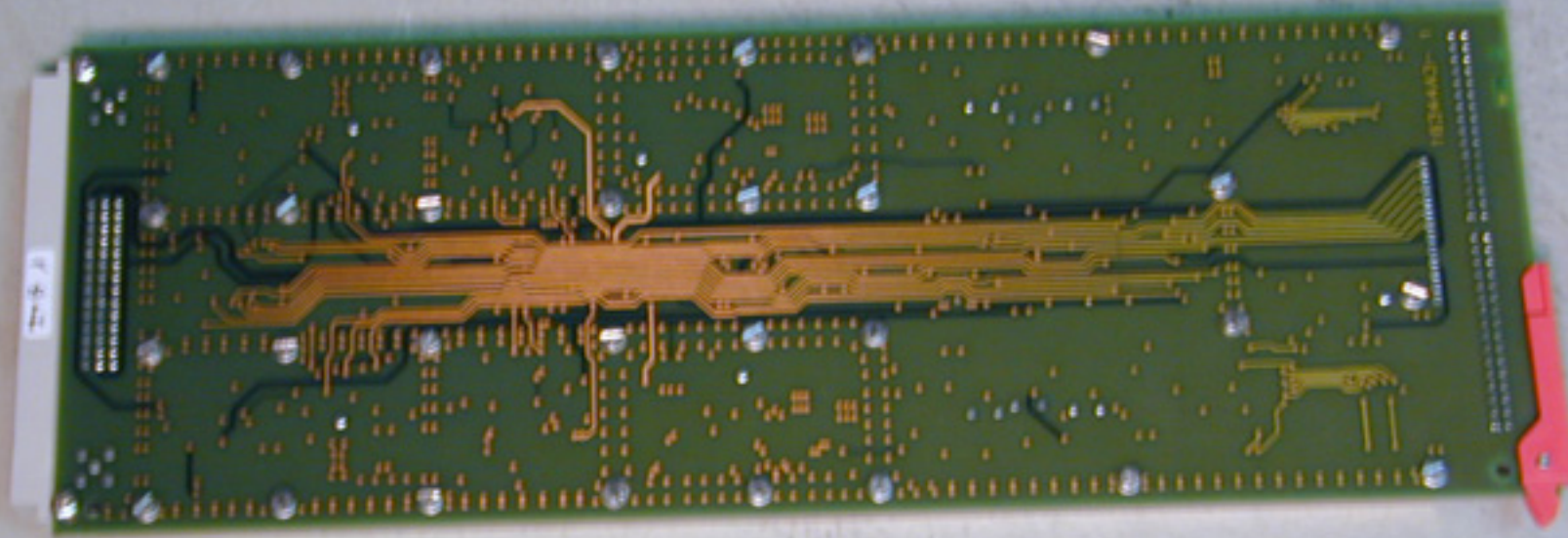
				TITLE:	COMPONENT LOCATION	SCALE	DRAWN	21.12.95. TBJ
					SHEET NO. 1 OF 1	1:1	CHECKED	
3537	5	240299	TBJ	SUBJECT:	OS 1221A/B		APPR.	21.12.95. JSA
3440	4	240299	PLI			SUP FOR:		SUP BY:
3272	3	280598	TBJ			DWG.NO.:	16453A3	ISSUE
2971	2	130597	PLI					5
REF.NO.	ISSUE	DATE	SIGN			FILENAME :	16453A3.SPL	



Copyright and all modification right reserved NAVIA AVIATION AS, NORWAY

2.3 *Photos (OS1221A)*





100-100-100

100-100-100
100-100-100
100-100-100

100-100-100

100-100-100
100-100-100
100-100-100