

NORMARC 7031

INSTRUMENT LANDING SYSTEM

TRANSMITTER FIGURES





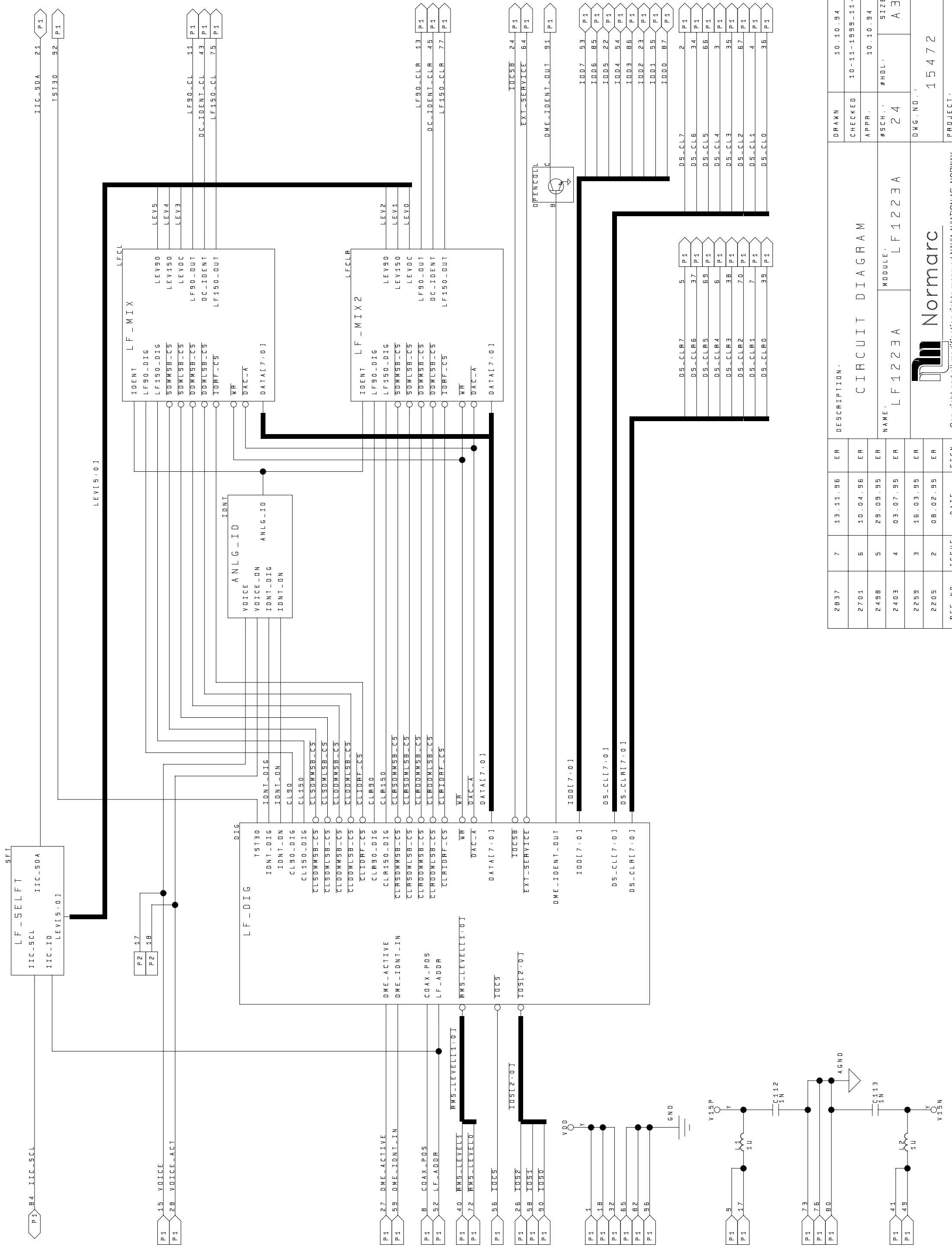
TABLE OF CONTENTS

1	LF1223A LOW FREQUENCY GENERATOR.....	7
1.1	Schematic Diagrams	7
1.2	Photos	8
2	OS1221B RF OSCILLATOR.....	9
2.1	Circuit Diagrams.....	9
2.2	Component Location	10
2.3	Photos	11
3	GPA1231A POWER AMPLIFIER	13
3.1	Photos	13
4	PA1234A LOW FREQUENCY GENERATOR	15
4.1	Schematic Diagrams	15
4.2	Photos	16
5	AC1226A AMPLITUDE CONTROL	17
5.1	Schematic Diagrams	17
5.2	Photos	18
6	PC1225A PHASE CONTROL.....	19
6.1	Schematic Diagrams	19
6.2	Photos	20
7	FD1236A FEEDBACK DETECTOR.....	21
7.1	Schematic Diagrams	21
7.2	Photos	22
8	CD 1238A COMBINER DETECTOR.....	23
8.1	Schematic Diagrams	23
8.2	Photos	24

LIST OF FIGURES

1 LF1223A Low Frequency Generator

1.1 *Schematic Diagrams*

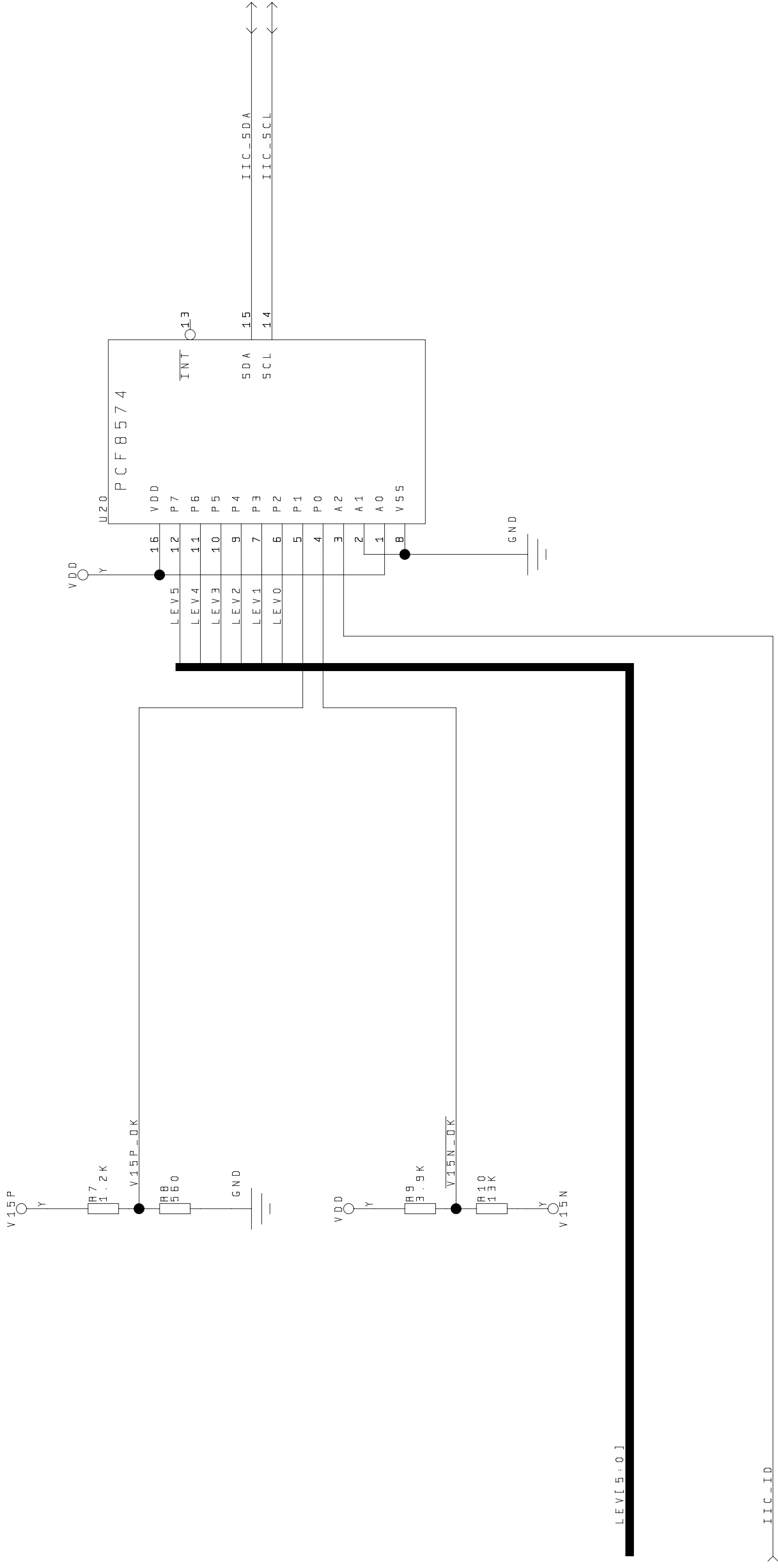


REF. NO.	ISSUE	DATE	SIGN	DESCRIPTION	ER
2037	7	13.11.96	ER		
2701	6	10.04.96	ER		
2498	5	29.09.95	ER		
2403	4	03.07.95	ER		
2259	3	16.03.95	ER		
2205	2	08.02.95	ER		

DRAWN	CHECKED	APPR.	#SCH.	#HDL.	SIZE.	VERSION.
10.10.94	10-11-1999-11.21	10.10.94	24	A3	1	7

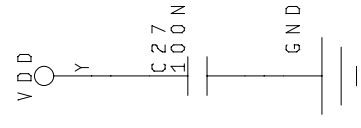
CIRCUIT DIAGRAM		MODULE: L F 1 2 2 3 A	
NAME: L F 1 2 2 3 A		PROJECT: 1 5 4 7 2	


Normarc
Copyright and all modification rights reserved NAVIA/AVIATION AS, NORWAY

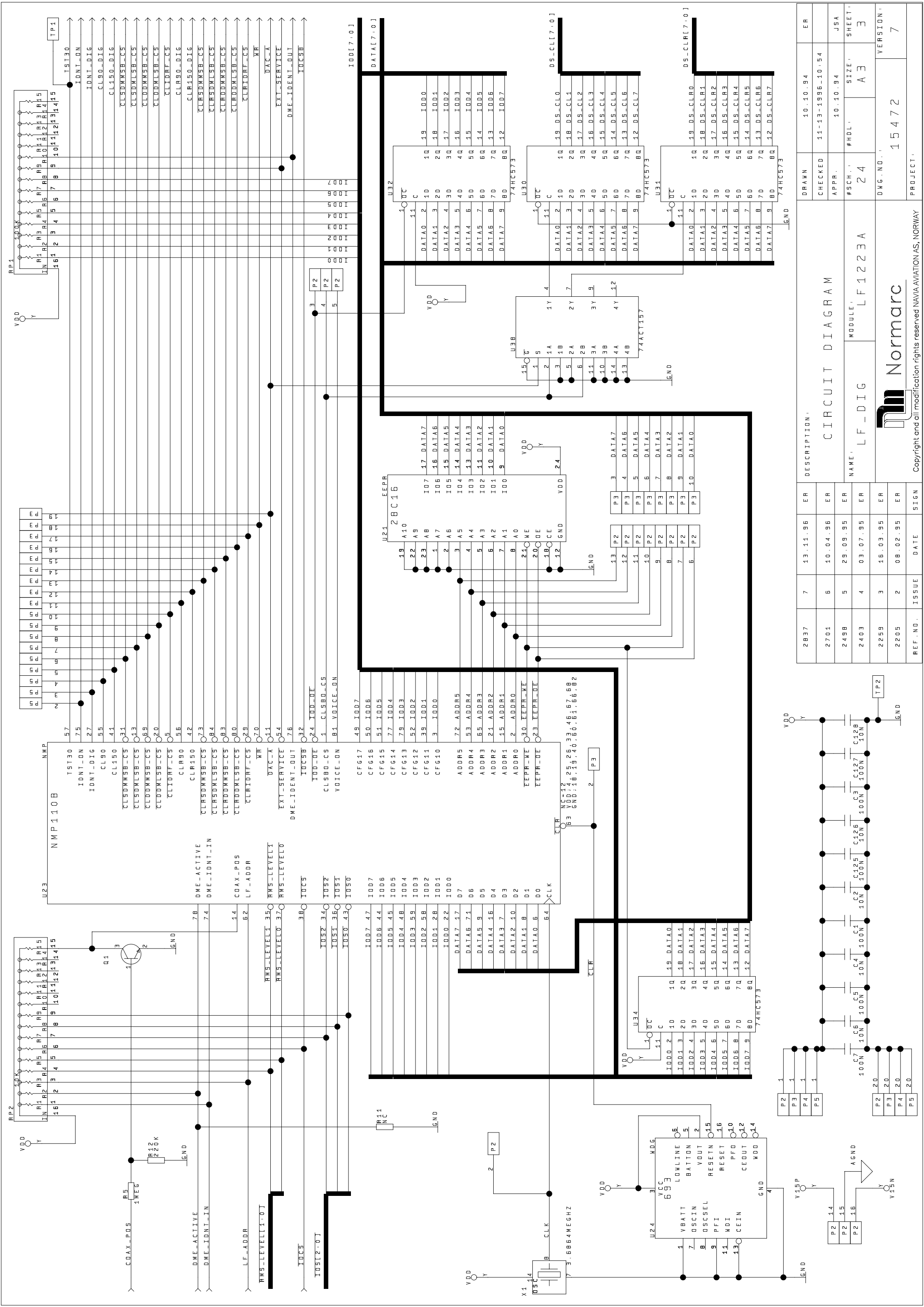


LEV[5:0]

IIC-ID



REF. NO.	ISSUE	DATE	SIGN	DESCRIPTION	DRAWN	10.10.94	ER		
2837	7	13.11.96	ER	CIRCUIT DIAGRAM	CHECKED	11-13-1996-9	47		
2701	6	10.04.96	ER		APPR.	10.10.94	JSA		
2498	5	29.09.95	ER	L F - S E L F T	#SCH.	24	#HDL.	SIZE.	SHEET.
2403	4	03.07.95	ER		MODULE.	L F 1 2 2 3 A	A 3	2	
2259	3	16.03.95	ER	 Copyright and all modification rights reserved NAVIA AVIATION AS, NORWAY	DWG. NO.	15472	VERSION.	7	
2205	2	08.02.95	ER		PROJECT.				



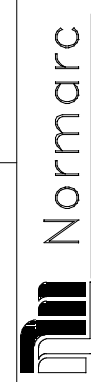
REF NO.	ISSUE	DATE	SIGN	DESCRIPTION	ER
2837	7	13.11.96	ER		
2701	6	10.04.96	ER		
2498	5	29.09.95	ER		
2403	4	03.07.95	ER		
2259	3	16.03.95	ER		
2205	2	08.02.95	ER		

DRAWN	10.10.94	ER
CHECKED	11-13-1996-10.54	
APPR.	10.10.94	JSA

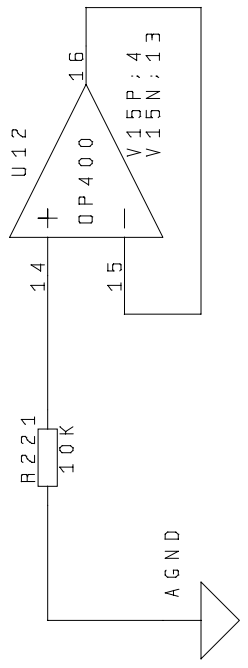
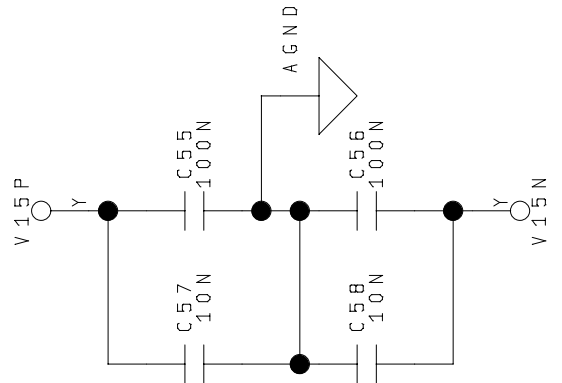
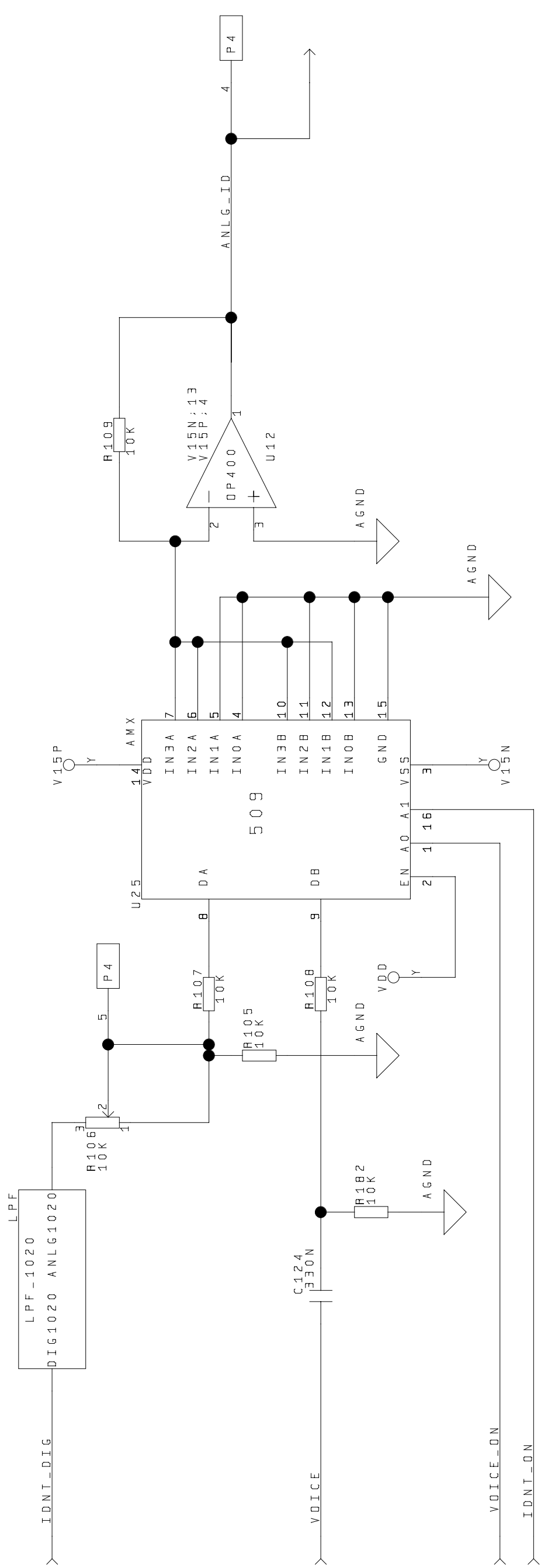
DMG. NO.	15472	VERSION	7
#SCH.	24 <td>SIZE</td> <td>A3</td>	SIZE	A3
#HDL.	A3	SHEET	3

CIRCUIT DIAGRAM

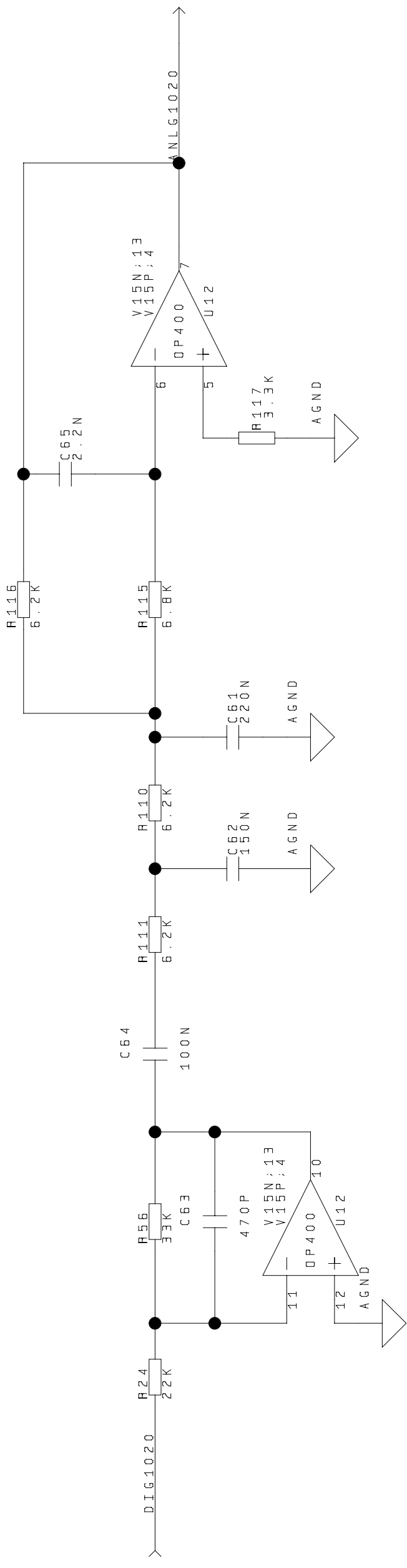
MODULE: L F 1 2 2 3 A




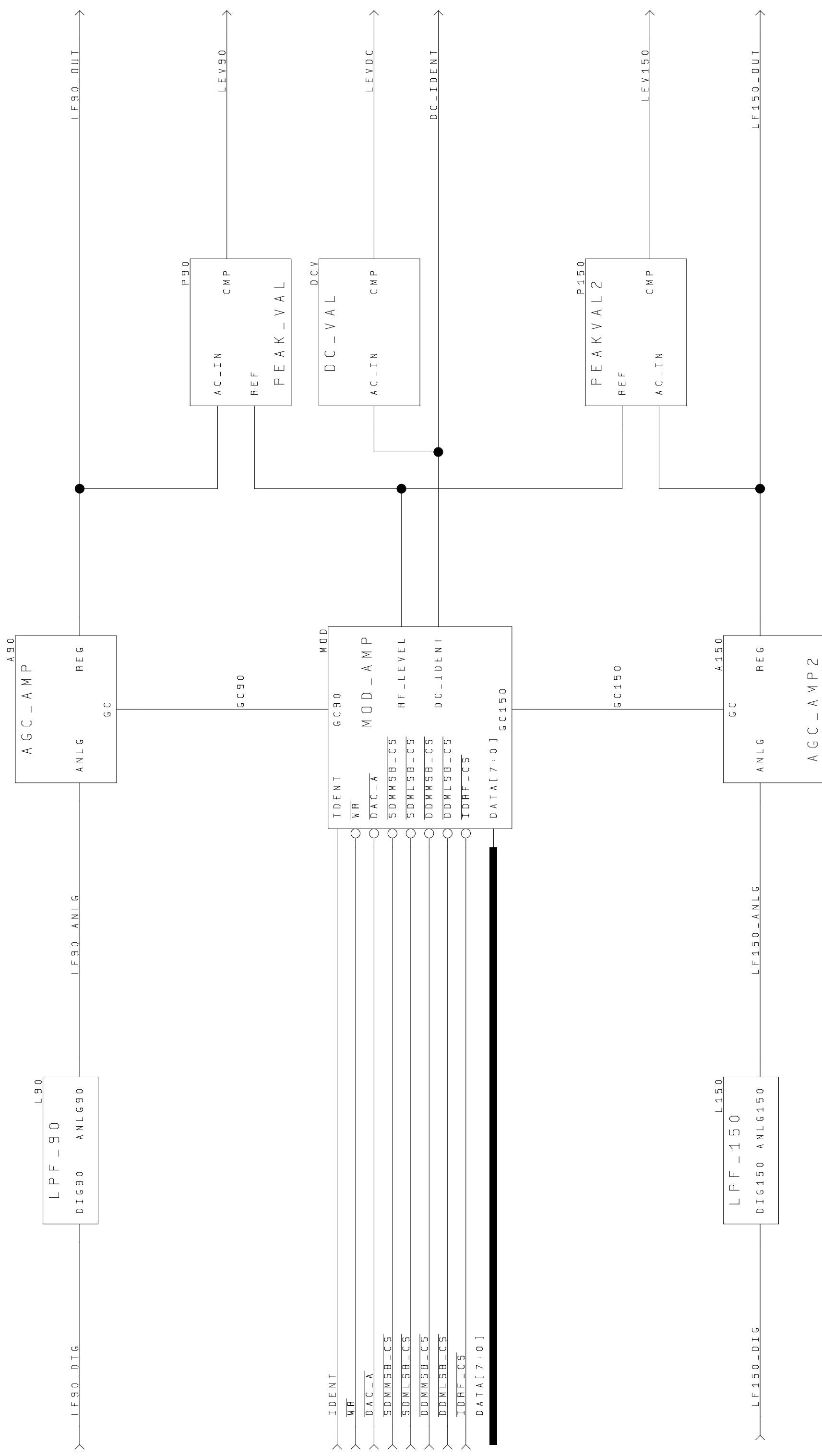
Copyright and all modification rights reserved NAVIAVIATION AS, NORWAY



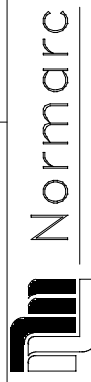
REF. NO.	ISSUE	DATE	STGN	DESCRIPTION	DRAWN	10.10.94	ER	
2837	7	13.11.96	ER	CIRCUIT DIAGRAM	CHECKED	11-13-1996-12-10	ER	
2701	6	10.04.96	ER		APPR.	10.10.94	JSA	
2498	5	29.09.95	ER		#SCH.	24	#HDL.	SIZE.
2403	4	03.07.95	ER		NAME.		A3	SHEET.
2259	3	16.03.95	ER		MODULE.			4
2205	2	08.02.95	ER	ANLG_ID	LF1223A		VERSION.	
						15472	7	



REF. NO.	ISSUE	DATE	SIGN	DESCRIPTION	DRAWN	10.10.94	ER		
2837	7	13.11.96	ER	CIRCUIT DIAGRAM	CHECKED	11-13-1996-12-09	ER		
2701	6	10.04.96	ER		APPR.	10.10.94	JSA		
2498	5	29.09.95	ER	NAME: L P F _ 1 0 2 0 MODULE: L F 1 2 2 3 A	#SCH.:	24	#HDL:	SIZE: A3	SHEET: 5
2403	4	03.07.95	ER		DWG. NO.:	15472	VERSION:	7	
2259	3	16.03.95	ER	 Normarc Copyright and all modification rights reserved NAVIA AVIATION AS, NORWAY					
2205	2	08.02.95	ER						

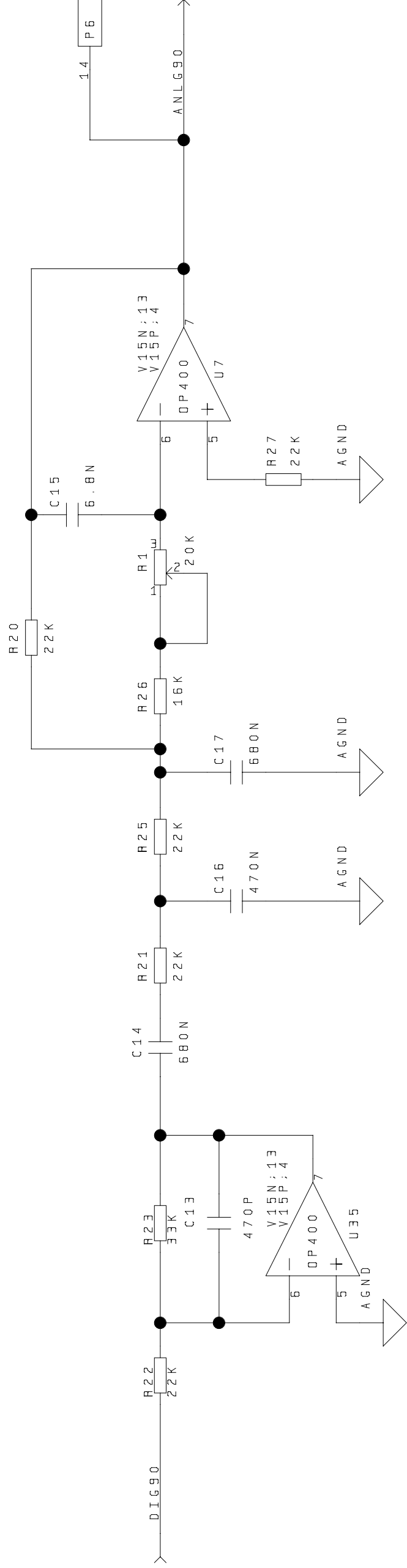



REF. NO.	ISSUE	DATE	STGN	DESCRIPTION	DRAWN	10.10.94	ER	
2837	7	13.11.96	ER	CIRCUIT DIAGRAM	CHECKED	11-13-1996-12-15	ER	
2701	6	10.04.96	ER		APPR.	10.10.94	JSA	
2498	5	29.09.95	ER		#SCH.	24	#HDL.	SIZE.
2403	4	03.07.95	ER		NAME.	LF-MIX	MODULE.	A3
2259	3	16.03.95	ER					VERSION.
2205	2	08.02.95	ER					7

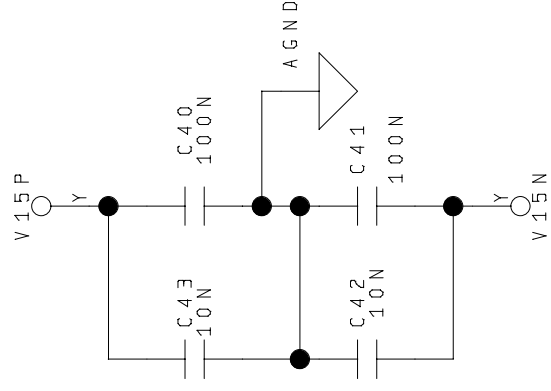
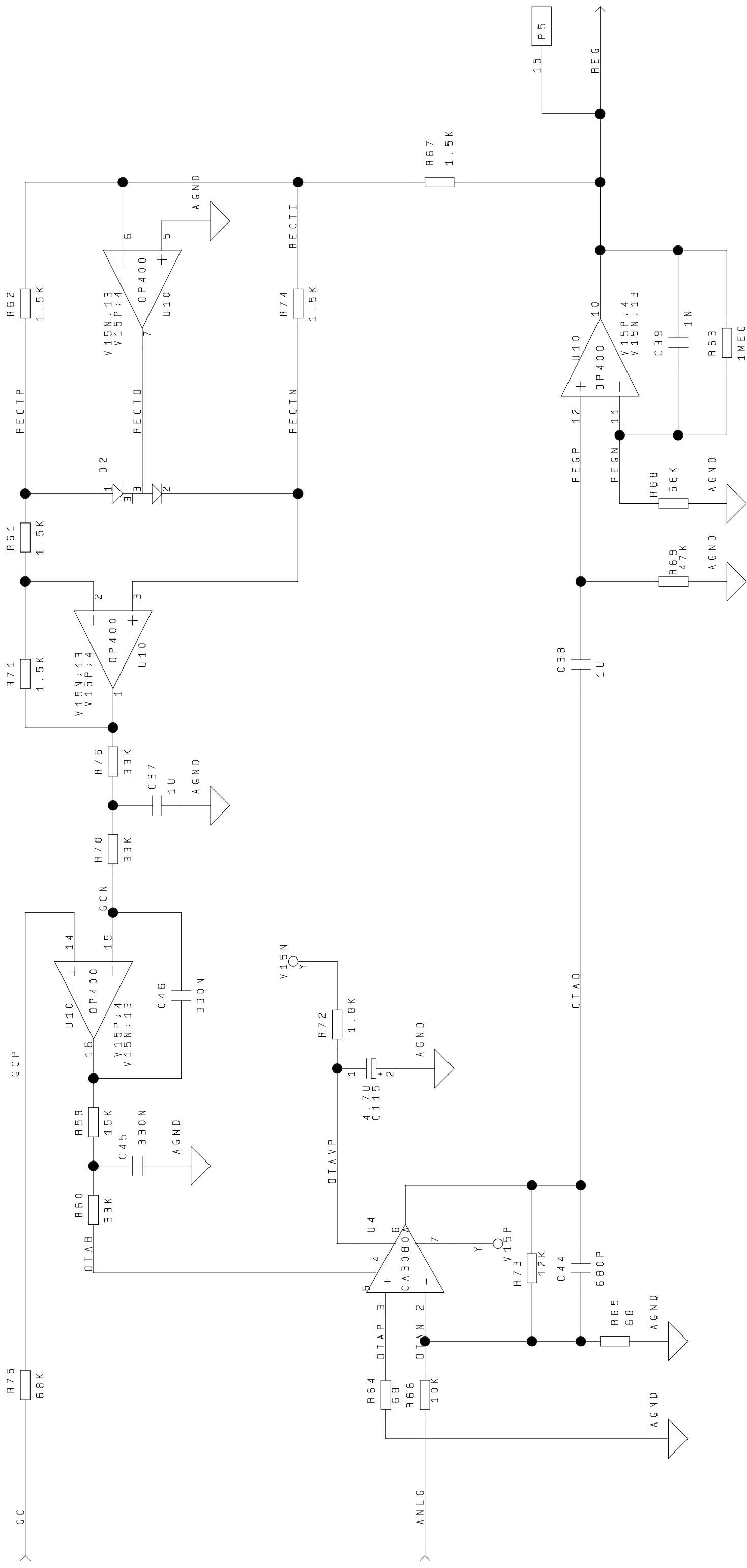


Copyright and all modification rights reserved NAVIAVIATION AS, NORWAY

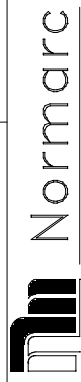
15472



REF. NO.	ISSUE	DATE	STGN	DESCRIPTION	DRAWN	10.10.94	ER	
2837	7	13.11.96	ER	CIRCUIT DIAGRAM	CHECKED	11-13-1996-12-18	ER	
2701	6	10.04.96	ER		APPR.	10.10.94	JSA	
2498	5	29.09.95	ER	NAME: LPF_90 MODULE: L F 1 2 2 3 A	#SCH.:	24	#HDL.:	
2403	4	03.07.95	ER		SIZE:	A3	SHEET:	7
2259	3	16.03.95	ER	DWG. NO.:	15472	VERSION:	7	
2205	2	08.02.95	ER	 Normarc Copyright and all modification rights reserved NAVIA AVIATION AS, NORWAY				PROJECT:

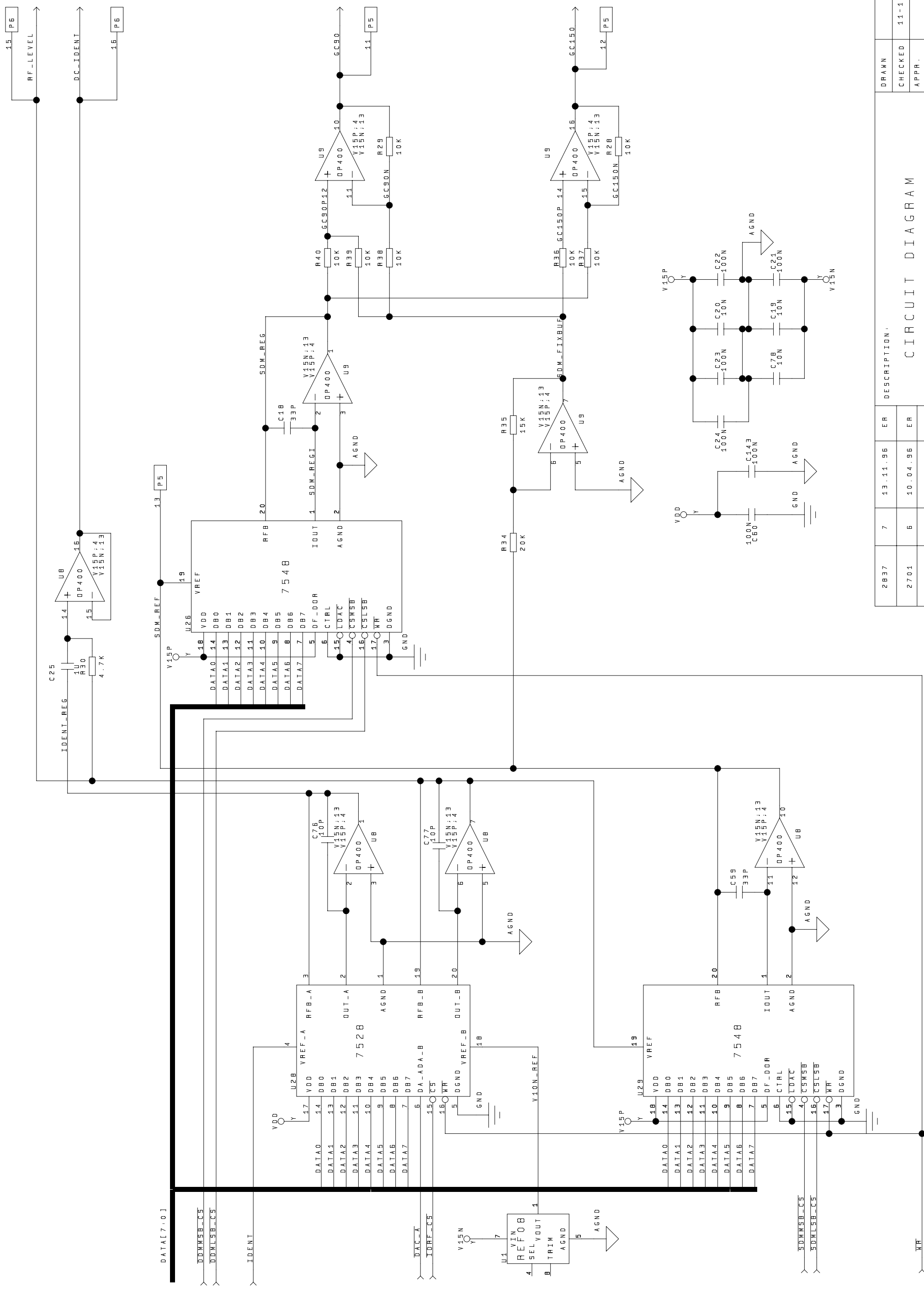


REF. NO.	ISSUE	DATE	STGN	DESCRIPTION	DRAWN	10.10.94	ER	
2837	7	13.11.96	ER	CIRCUIT DIAGRAM				
2701	6	10.04.96	ER					
2498	5	29.09.95	ER					
2403	4	03.07.95	ER					
2259	3	16.03.95	ER					
2205	2	08.02.95	ER					
				NAME:	A GC - AMP			
				MODULE:	LF1223A			
				DWG. NO.:	15472			
				VERSION:	7			
					PROJECT:	10.10.94		
					CHECKED:	11-13-1996-12-21		
					APPR.:	10.10.94		
					#SCH.:	#HDL.:	SIZE:	SHEET:
					24		A3	8
					JSA			

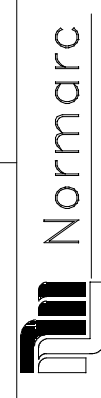


Normarc

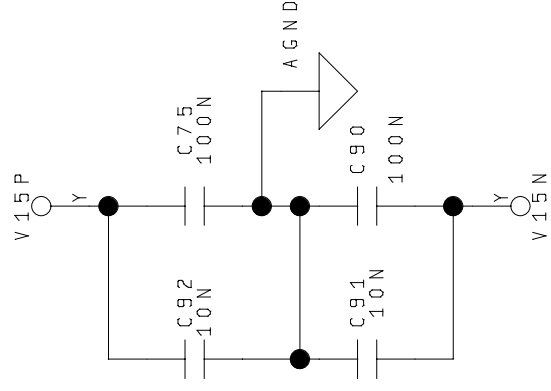
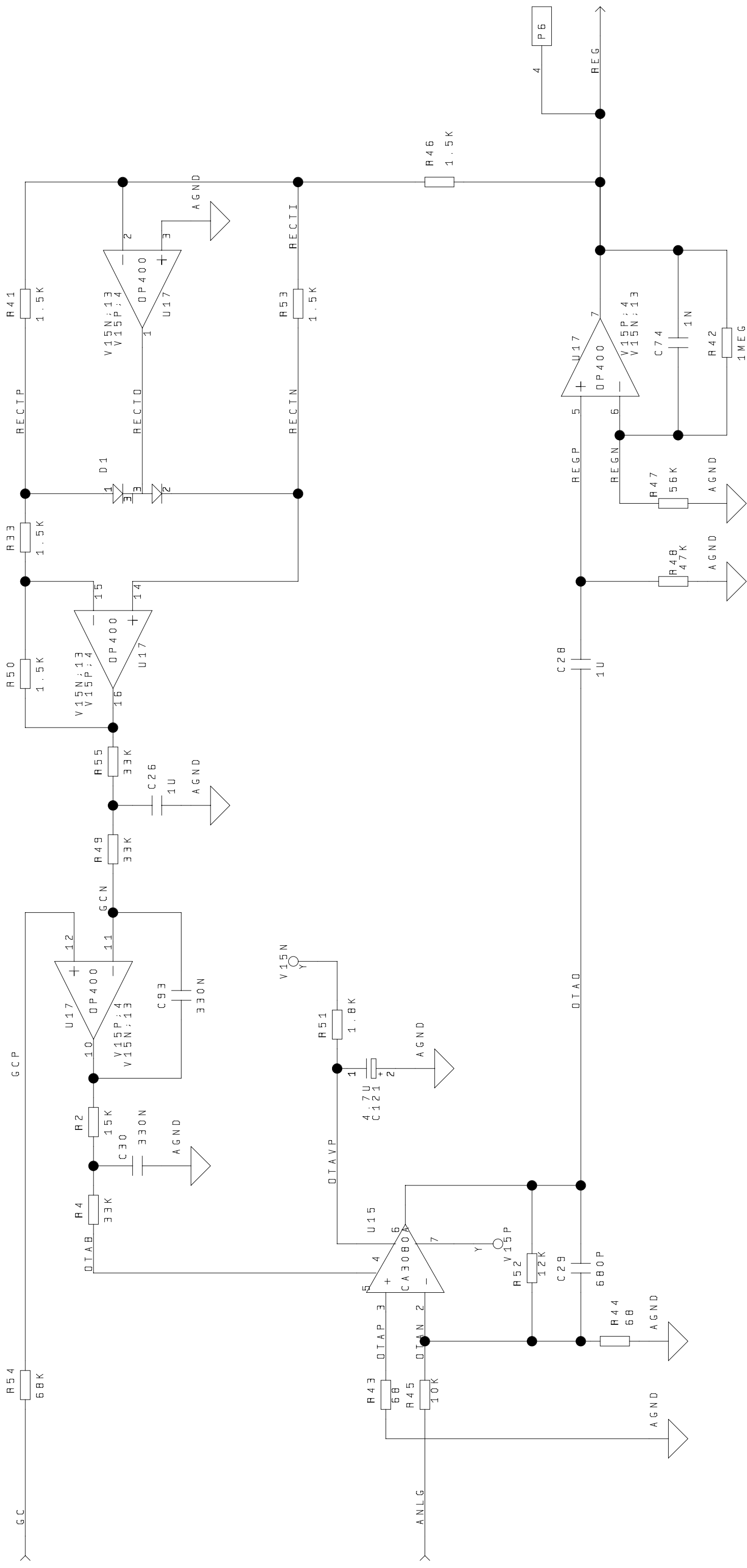
Copyright and all modification rights reserved NAVIAVIATION AS, NORWAY



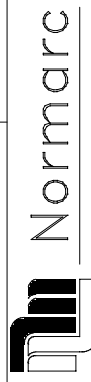
REF.NO.	ISSUE	DATE	SIGN	DESCRIPTION	DRAWN	10.10.94	ER	
2037	7	13.11.96	ER	CIRCUIT DIAGRAM	CHECKED	11-13-1996-12.23	ER	
2701	6	10.04.96	ER		APPR.	10.10.94	JSA	
2498	5	29.09.95	ER		#SCH.	24	SIZE	A3
2403	4	03.07.95	ER		NAME	MOD_AMP	MODULE	LF1223A
2259	3	16.03.95	ER		DWG.NO.	15472	VERSION	7
2205	2	08.02.95	ER	PROJECT				



Copyright and all modification rights reserved NAVIAVIATION AS, NORWAY

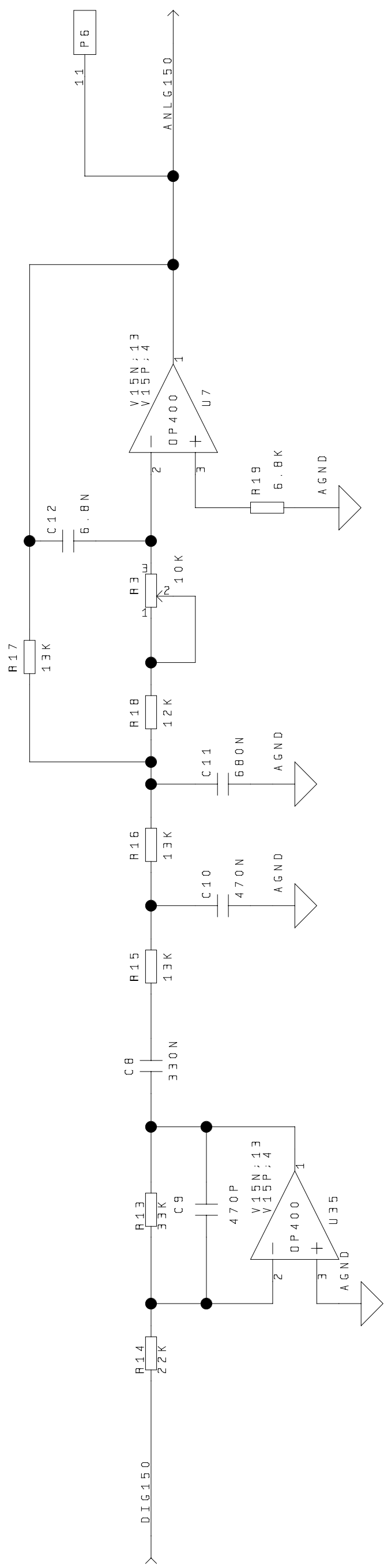


REF. NO.	ISSUE	DATE	STGN	DESCRIPTION	DRAWN	10.10.94	ER				
2837	7	13.11.96	ER	CIRCUIT DIAGRAM	CHECKED	11-13-1996-12-26	JSA				
2701	6	10.04.96	ER		APPR.	10.10.94					
2498	5	29.09.95	ER		#SCH.	24	SIZE	A3			
2403	4	03.07.95	ER		NAME	AGC-AMP2		MODULE	LF1223A		
2259	3	16.03.95	ER		DWG. NO.	15472		VERSION	7		
2205	2	08.02.95	ER	PROJECT	Copyright and all modification rights reserved NAVIAVIATION AS, NORWAY						

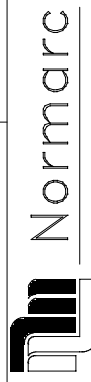


Normarc

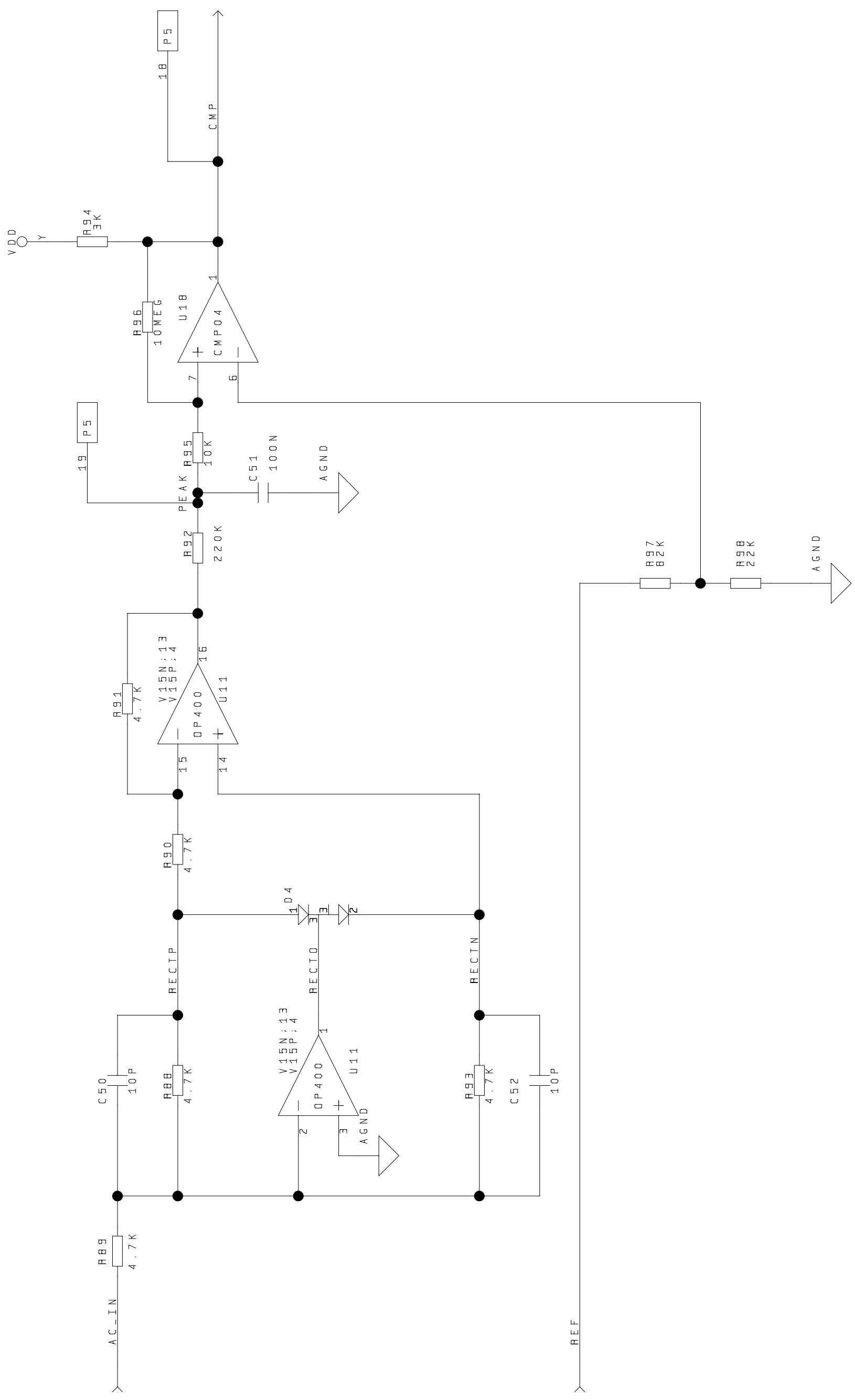
Copyright and all modification rights reserved NAVIAVIATION AS, NORWAY



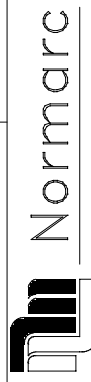
REF. NO.	ISSUE	DATE	SIGN	DESCRIPTION	DRAWN	10.10.94	ER		
2837	7	13.11.96	ER	CIRCUIT DIAGRAM	CHECKED	11-13-1996-12-28	ER		
2701	6	10.04.96	ER		APP.	10.10.94	JSA		
2498	5	29.09.95	ER	NAME: LFP-150 MODULE: LFP1223A	#SCH.	24	#HDL.	SIZE:	SHEET:
2403	4	03.07.95	ER		A3	11			
2259	3	16.03.95	ER	DWG. NO.	15472	VERSION:	7		
2205	2	08.02.95	ER	PROJECT		PROJECT			



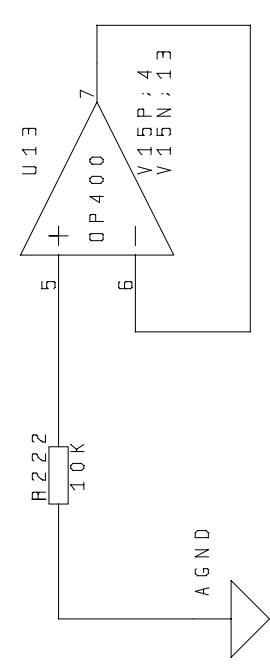
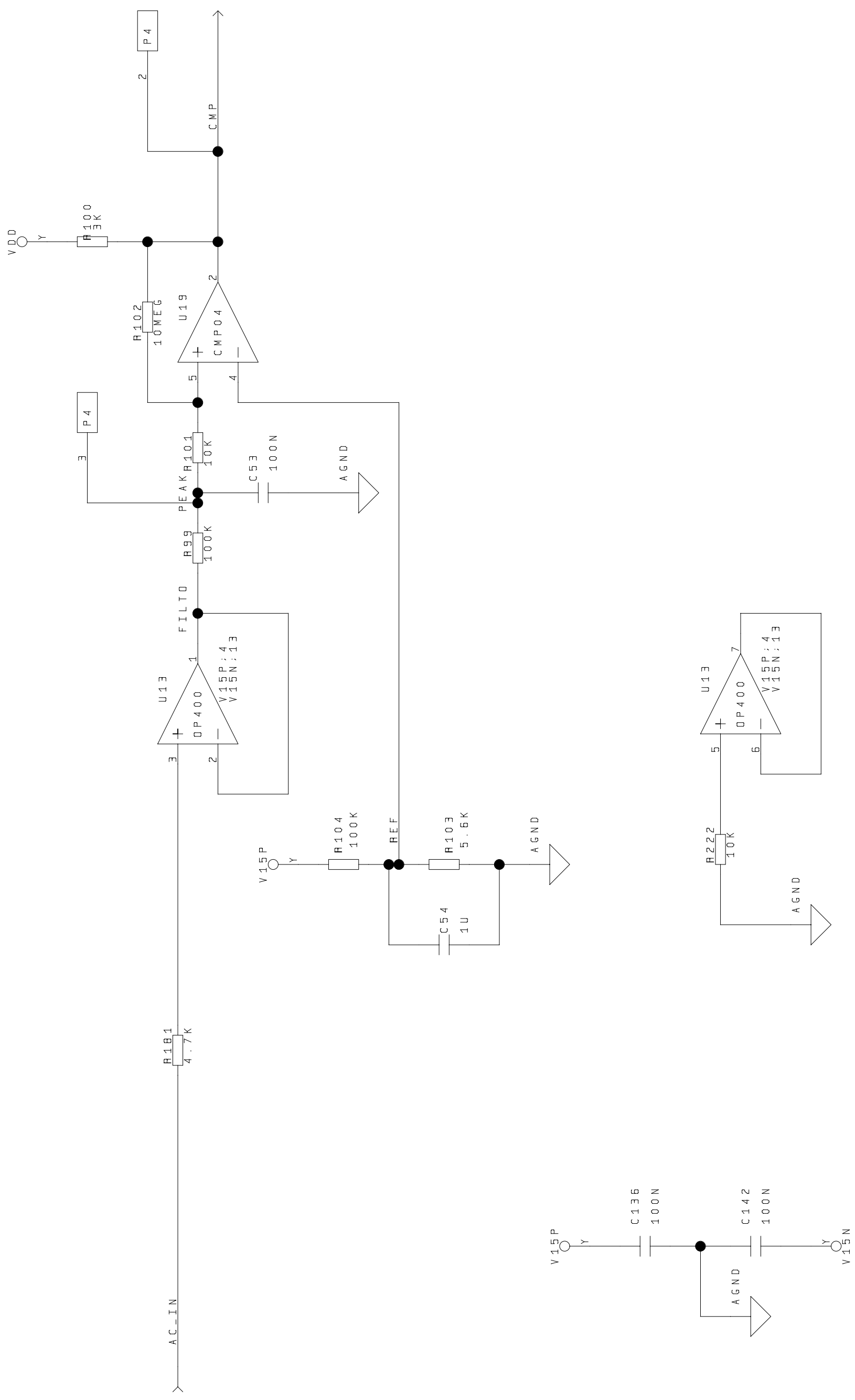
Copyright and all modification rights reserved NAVIA AVIATION AS, NORWAY



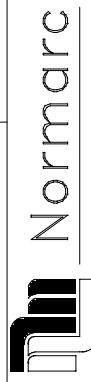
REF. NO.	ISSUE	DATE	STGN	DESCRIPTION	DRAWN	10.10.94	ER	
2837	7	13.11.96	ER	CIRCUIT DIAGRAM	CHECKED	11-13-1996-12.30	ER	
2701	6	10.04.96	ER		APPR.	10.10.94	JSA	
2498	5	29.09.95	ER		#SCH.	24	SIZE	SHEET
2403	4	03.07.95	ER		NAME	LF1223A	A3	12
2259	3	16.03.95	ER		MODULE	15472	VERSION	7
2205	2	08.02.95	ER		PROJECT			



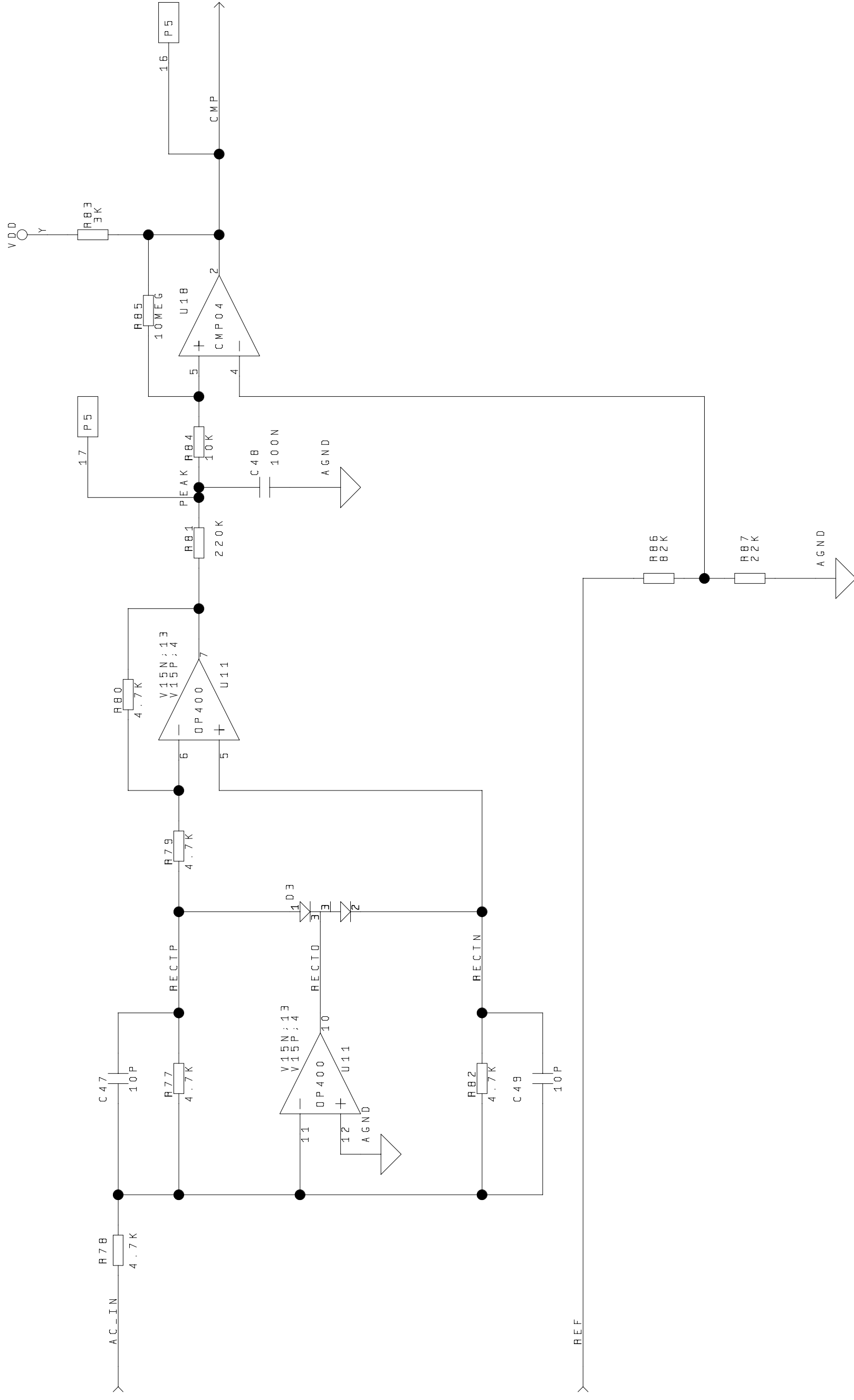
Copyright and all modification rights reserved NAVIA AVIATION AS, NORWAY



REF. NO.	ISSUE	DATE	SIGN	DESCRIPTION	DRAWN	10.10.94	ER	
2837	7	13.11.96	ER	CIRCUIT DIAGRAM	CHECKED	11-13-1996-12-32	ER	
2701	6	10.04.96	ER		APPR.	10.10.94	JSA	
2498	5	29.09.95	ER		#SCH.	24	SIZE:	SHEET:
2403	4	03.07.95	ER		NAME:	DC-VAL	#HDL:	A3
2259	3	16.03.95	ER		MODULE:	LF1223A	VERSION:	13
2205	2	08.02.95	ER		DWG. NO.:	15472	PROJECT:	7



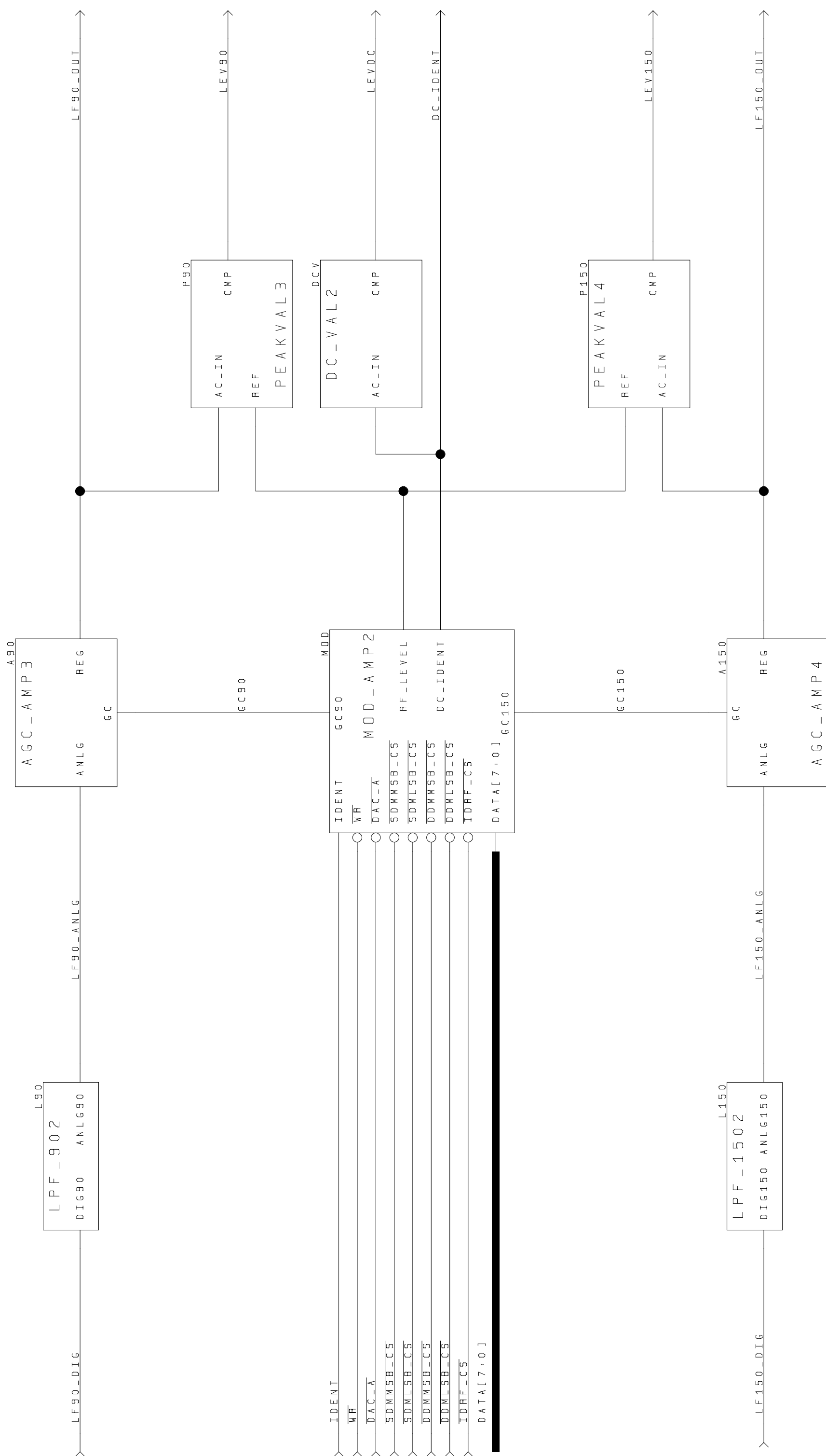
Copyright and all modification rights reserved NAVIA AVIATION AS, NORWAY



2837	7	13.11.96	ER	DESCRIPTION:	CIRCUIT DIAGRAM	DRAWN	10.10.94	ER
2701	6	10.04.96	ER			CHECKED	11-13-1996-12-33	JSA
2498	5	29.09.95	ER			APPR.	10.10.94	
2403	4	03.07.95	ER			#SCH.	24	#HDL.
2259	3	16.03.95	ER			NAME:		SIZE:
2205	2	08.02.95	ER			MODULE:	LF1223A	A3
						DWG. NO.:	15472	VERSION:
						PROJECT:		7



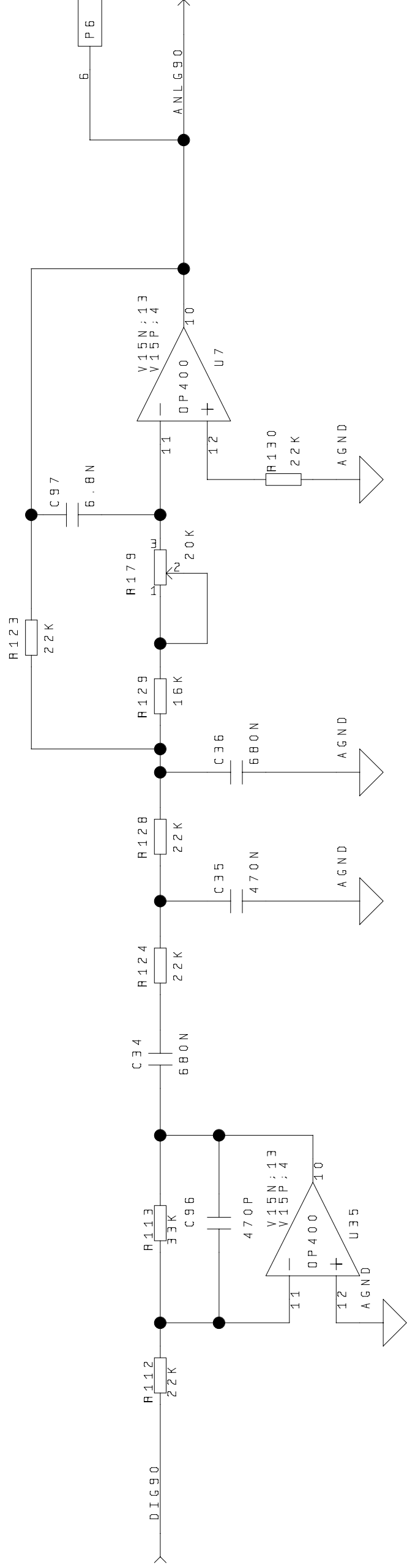
Copyright and all modification rights reserved NAVIAVIATION AS, NORWAY



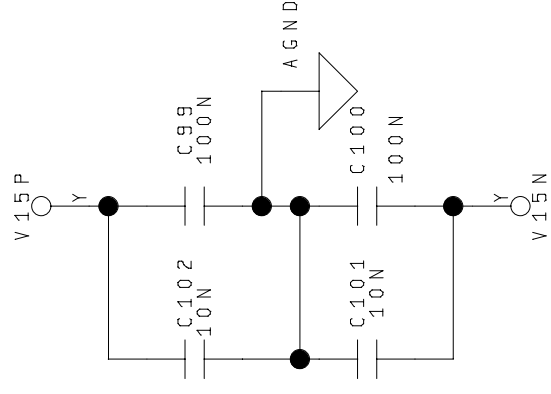
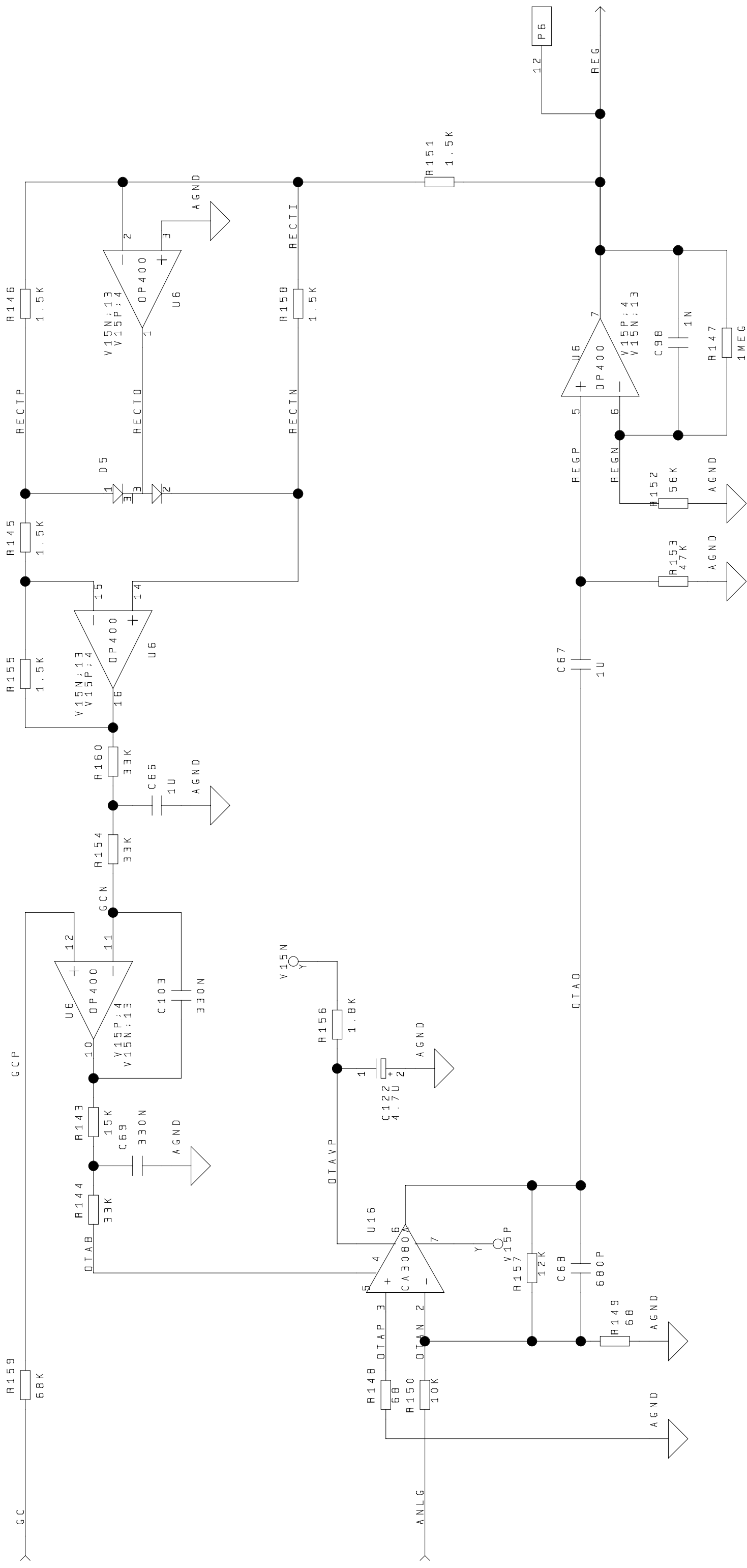
REF. NO.	ISSUE	DATE	STGN	DESCRIPTION	DRAWN	10.10.94	ER	
2837	7	13.11.96	ER	CIRCUIT DIAGRAM	CHECKED	11-13-1996-13.09	JSA	
2701	6	10.04.96	ER		APPR.	10.10.94		
2498	5	29.09.95	ER		#SCH.	24	SIZE	SHEET
2403	4	03.07.95	ER		NAME	LF-MIX2	A3	15
2259	3	16.03.95	ER		MODULE	LF1223A		VERSION
2205	2	08.02.95	ER		DWG. NO.	15472		7
				PROJECT				



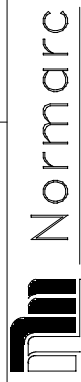
Copyright and all modification rights reserved NAVIAVIATION AS, NORWAY



REF. NO.	ISSUE	DATE	STGN	DESCRIPTION	DRAWN	10.10.94	ER				
2837	7	13.11.96	ER	CIRCUIT DIAGRAM	CHECKED	11-13-1996-12.40	ER				
2701	6	10.04.96	ER		APP.	10.10.94	JSA				
2498	5	29.09.95	ER	NAME: LPF_902 MODULE: L F 1 2 2 3 A	#SCH.	24	#HDL.	SIZE:	A 3	SHEET:	16
2403	4	03.07.95	ER		DWG. NO.	15472	VERSION:	7			
2259	3	16.03.95	ER	PROJECT: Normarc Copyright and all modification rights reserved NAVIA AVIATION AS, NORWAY							
2205	2	08.02.95	ER								

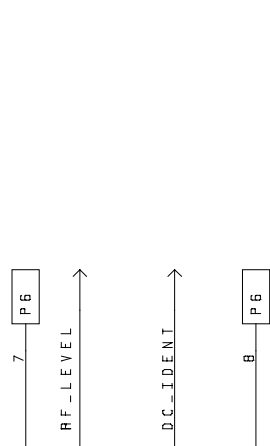
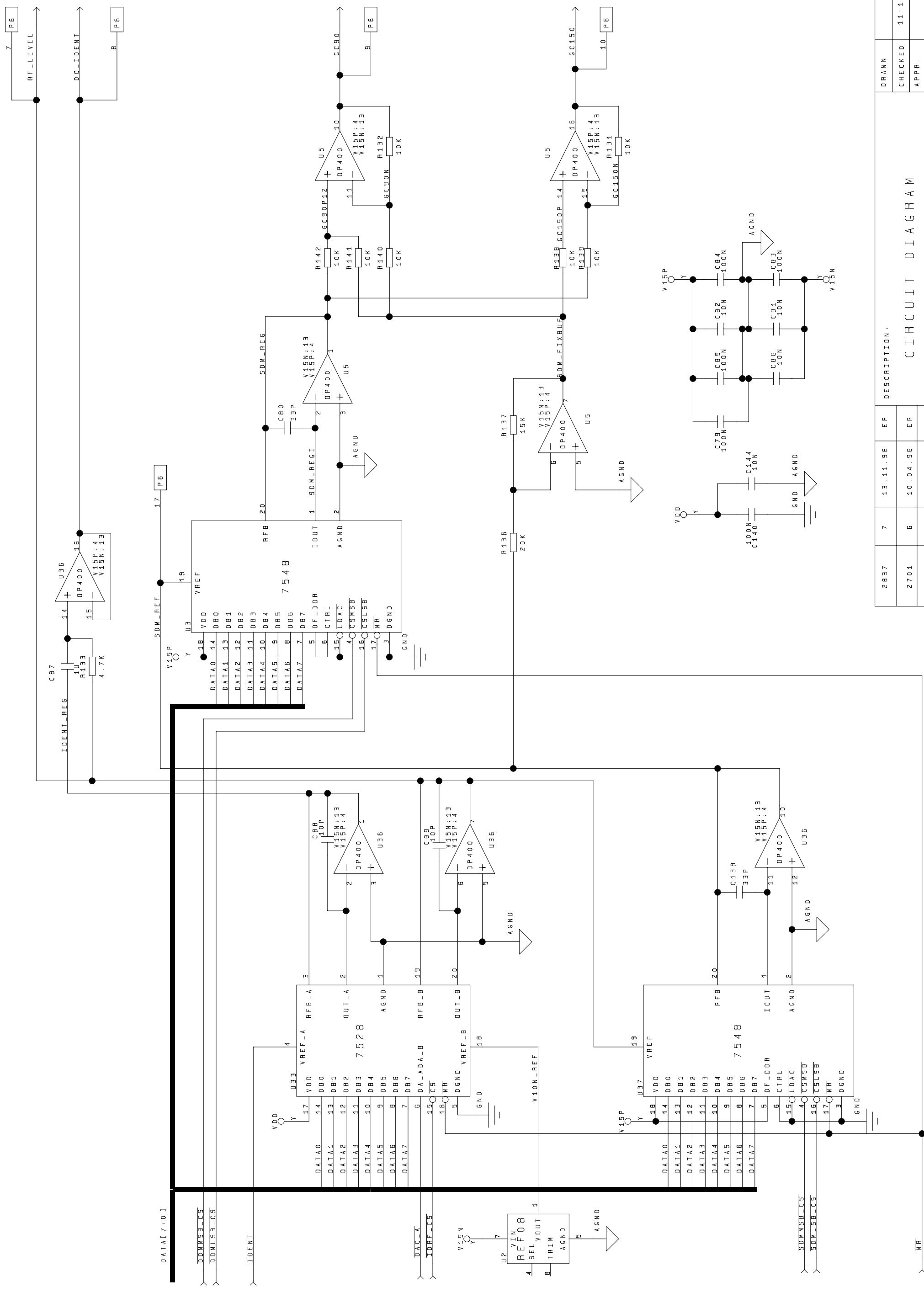


REF. NO.	ISSUE	DATE	SIGN	DESCRIPTION	DRAWN	10.10.94	ER	
2837	7	13.11.96	ER	CIRCUIT DIAGRAM		10.10.94	ER	
2701	6	10.04.96	ER		CHECKED	11-13-1996-12.55	JSA	
2498	5	29.09.95	ER		APPR.	10.10.94		
2403	4	03.07.95	ER		#SCH.	24	SIZE	A3
2259	3	16.03.95	ER		NAME	AGC-AMP3	MODULE	LF1223A
2205	2	08.02.95	ER	DWG. NO.	15472	VERSION	7	
				PROJECT	Copyright and all modification rights reserved NAVIAVIATION AS, NORWAY			



Normarc

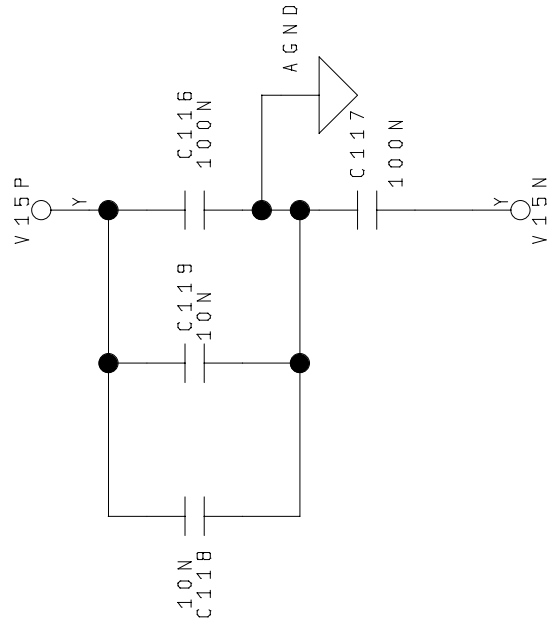
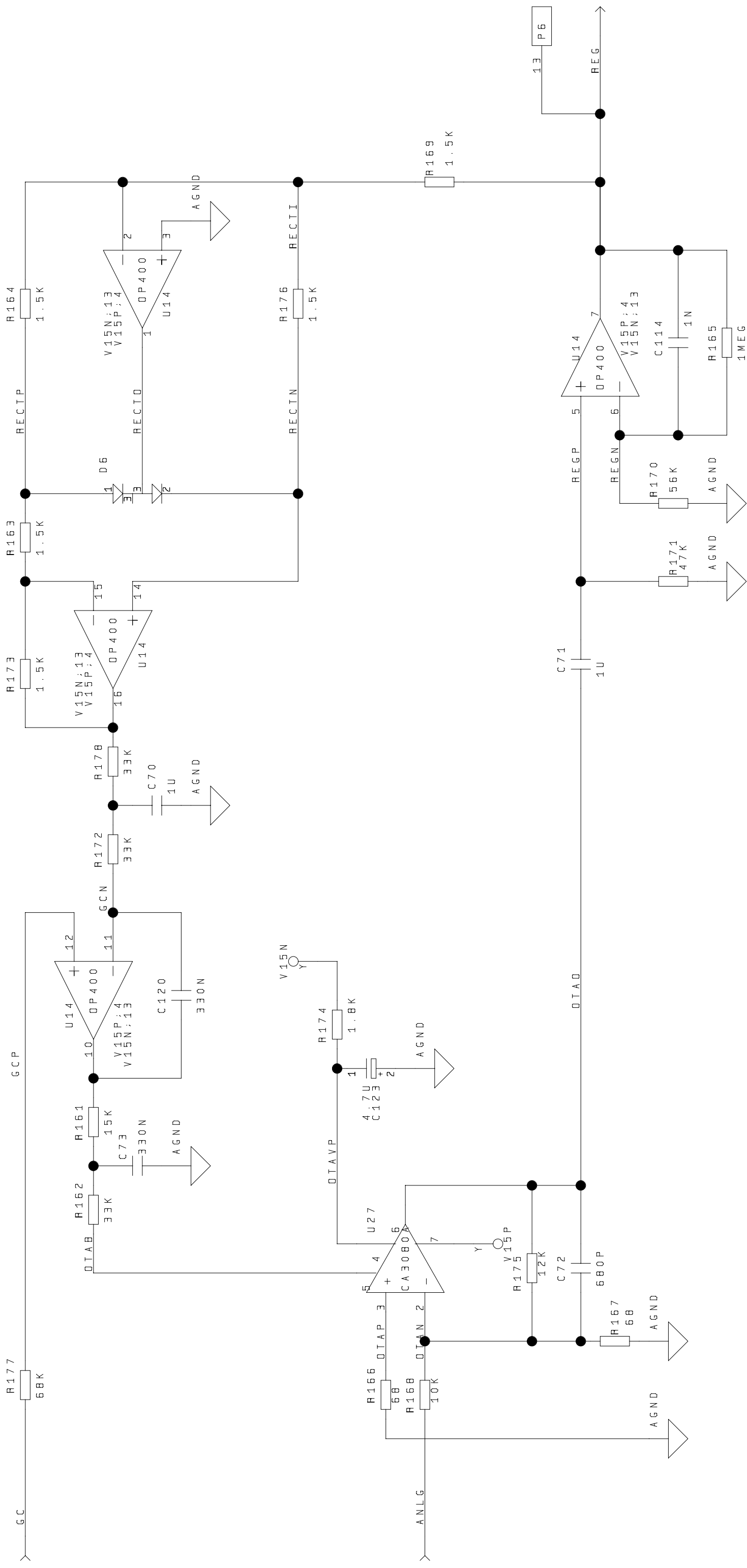
Copyright and all modification rights reserved NAVIAVIATION AS, NORWAY



REF. NO.	ISSUE	DATE	SIGN	DESCRIPTION	DRAWN	10.10.94	ER		
2037	7	13.11.96	ER	CIRCUIT DIAGRAM	CHECKED	11-13-1996-12.57	ER		
2701	6	10.04.96	ER		APPR.	10.10.94	JSA		
2498	5	29.09.95	ER		#SCH.	24	SIZE	A3	
2403	4	03.07.95	ER		MODULE	LF1223A		SHEET	18
2259	3	16.03.95	ER		NAME	MOD_AMP2		VERSION	7
2205	2	08.02.95	ER	DWG. NO.	15472		PROJECT		

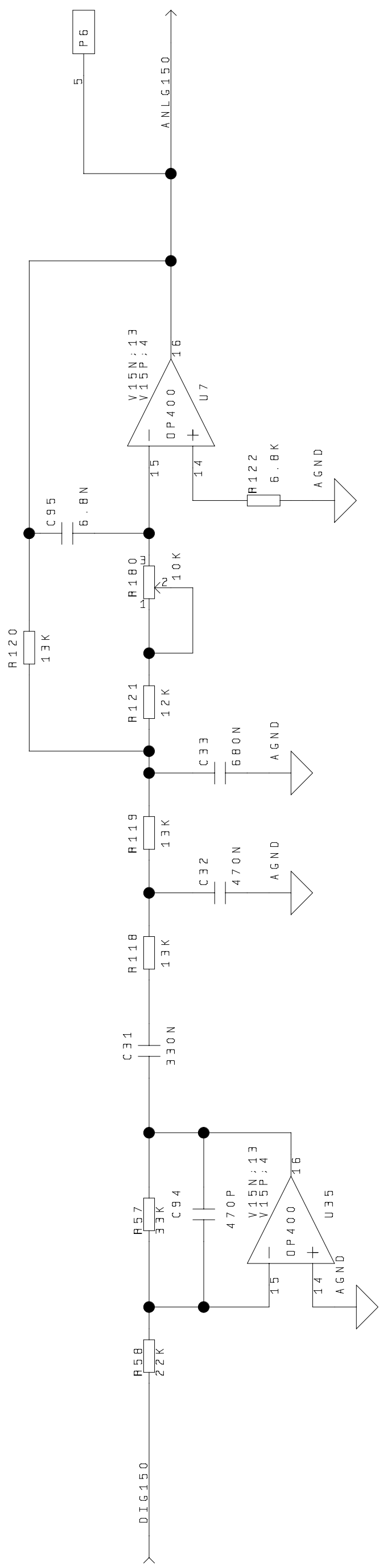


Copyright and all modification rights reserved NAVIAVIATION AS, NORWAY

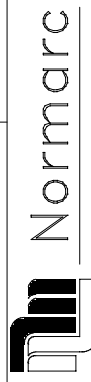


REF. NO.	ISSUE	DATE	SIGN	DESCRIPTION	DRAWN	10.10.94	ER	
2837	7	13.11.96	ER	CIRCUIT DIAGRAM	CHECKED	11-13-1996-12.59	JSA	
2701	6	10.04.96	ER		APPR.	10.10.94		
2498	5	29.09.95	ER		#SCH.	24	#HDL.	SIZE.
2403	4	03.07.95	ER		NAME.	AGC-AMP4		A3
2259	3	16.03.95	ER		MODULE.	LF1223A		19
2205	2	08.02.95	ER		DWG. NO.	15472		VERSION.
				PROJECT.	Normarc			7

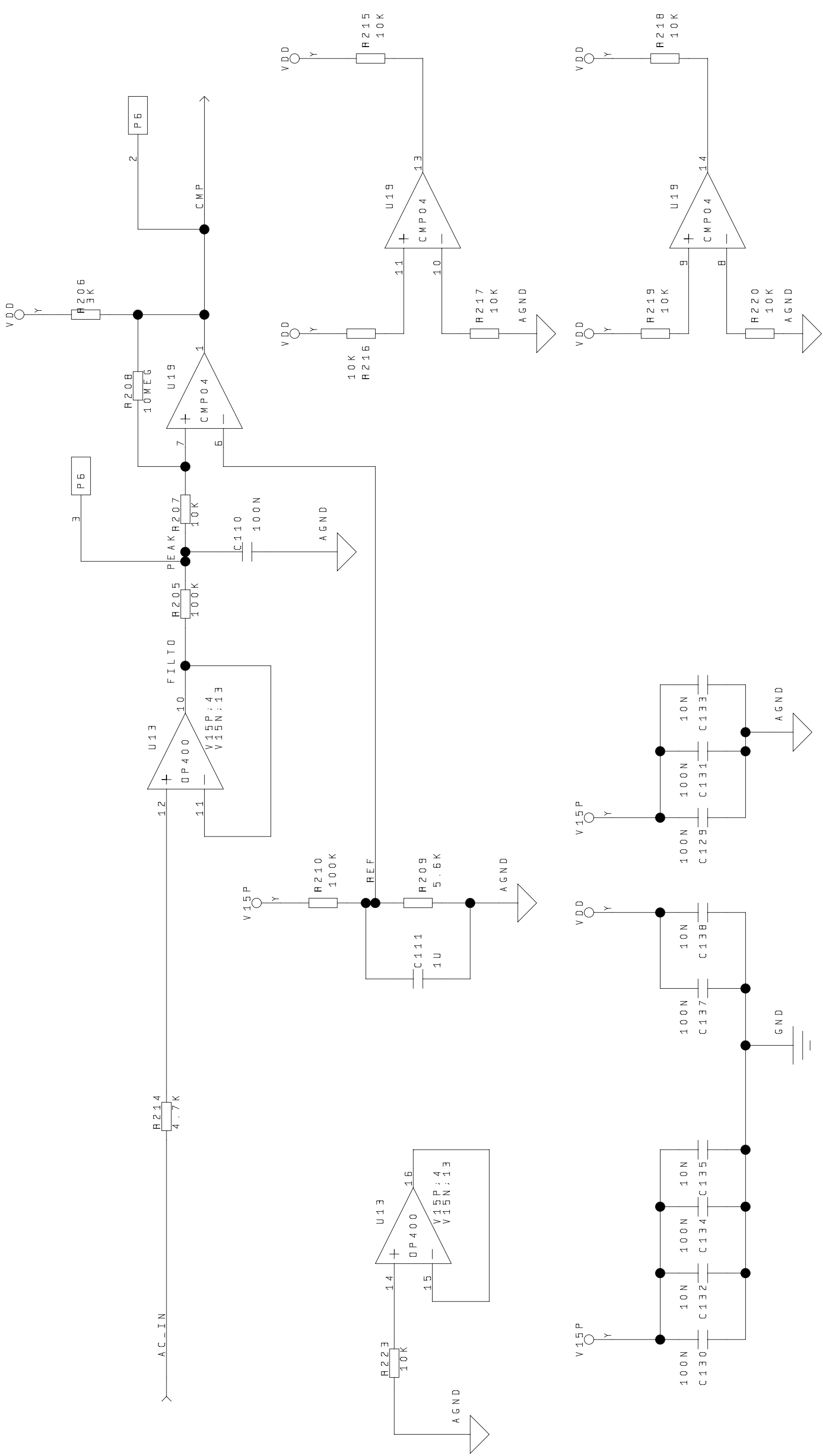
Copyright and all modification rights reserved NAVIAVIATION AS, NORWAY



2837	7	13.11.96	ER	DESCRIPTION:				DRAWN	10.10.94	ER
2701	6	10.04.96	ER	CIRCUIT DIAGRAM				CHECKED	11-13-1996-13.04	JSA
2498	5	29.09.95	ER	NAME:				APPR.	10.10.94	
2403	4	03.07.95	ER	L P F _ 1 5 0 2				#SCH.	24	SHEET.
2259	3	16.03.95	ER	MODULE:				#HDL.	A3	20
2205	2	08.02.95	ER	L F 1 2 2 3 A				SIZE:	A3	VERSION.
				15472				DWG. NO.	15472	7
REF. NO.	ISSUE	DATE	SIGN	PROJECT:						



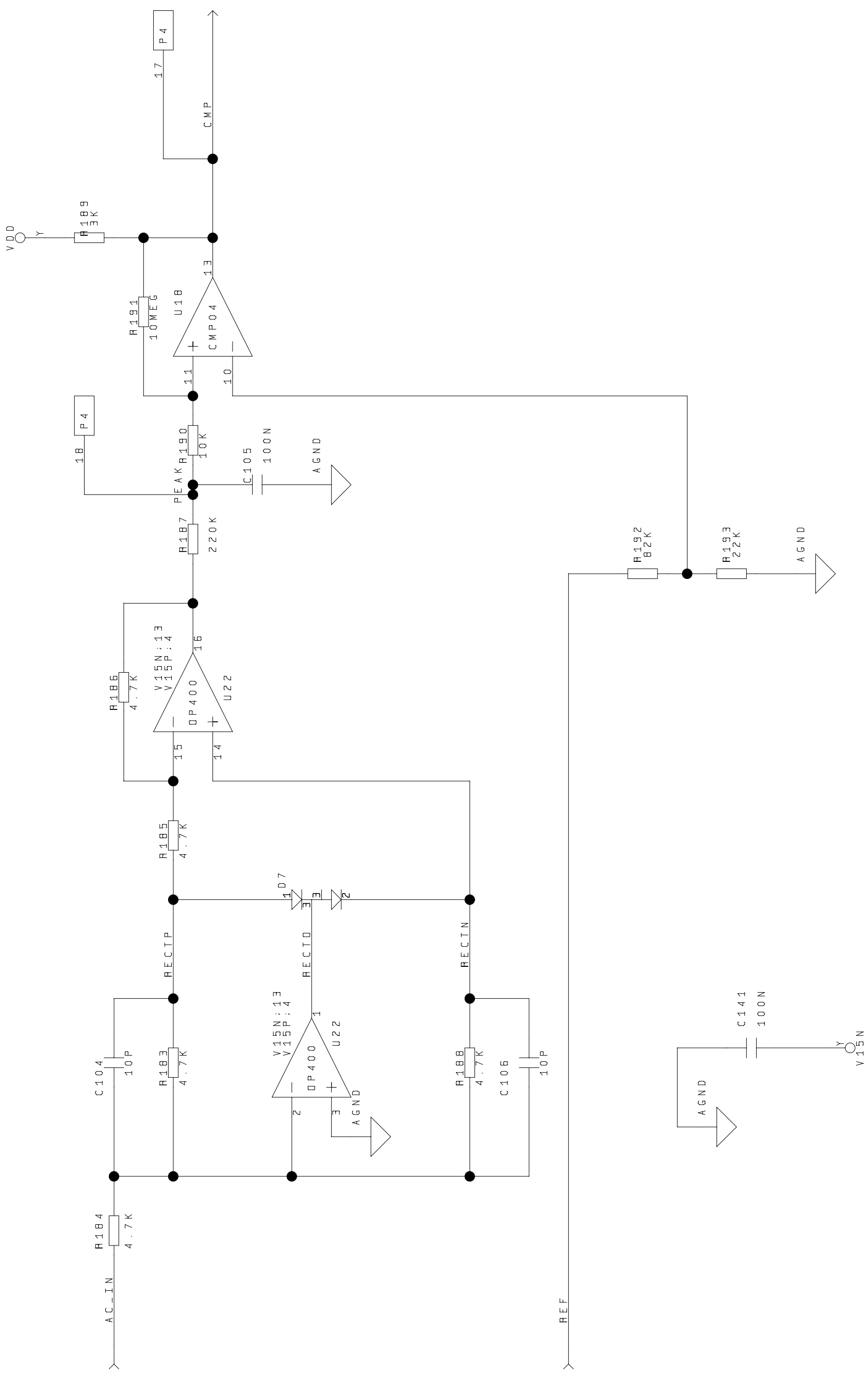
Copyright and all modification rights reserved NAVIA AVIATION AS, NORWAY



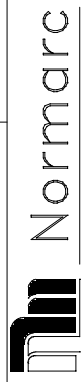
REF. NO.	ISSUE	DATE	STGN	DESCRIPTION	DRAWN	10.10.94	ER	
2837	7	13.11.96	ER	CIRCUIT DIAGRAM	CHECKED	11-13-1996-13.07	ER	
2701	6	10.04.96	ER		APPR.	10.10.94	JSA	
2498	5	29.09.95	ER		#SCH.	24	SIZE	A3
2403	4	03.07.95	ER		MODULE	LF1223A	#HDL	
2259	3	16.03.95	ER		DWG. NO.	15472	VERSION	7
2205	2	08.02.95	ER		PROJECT			



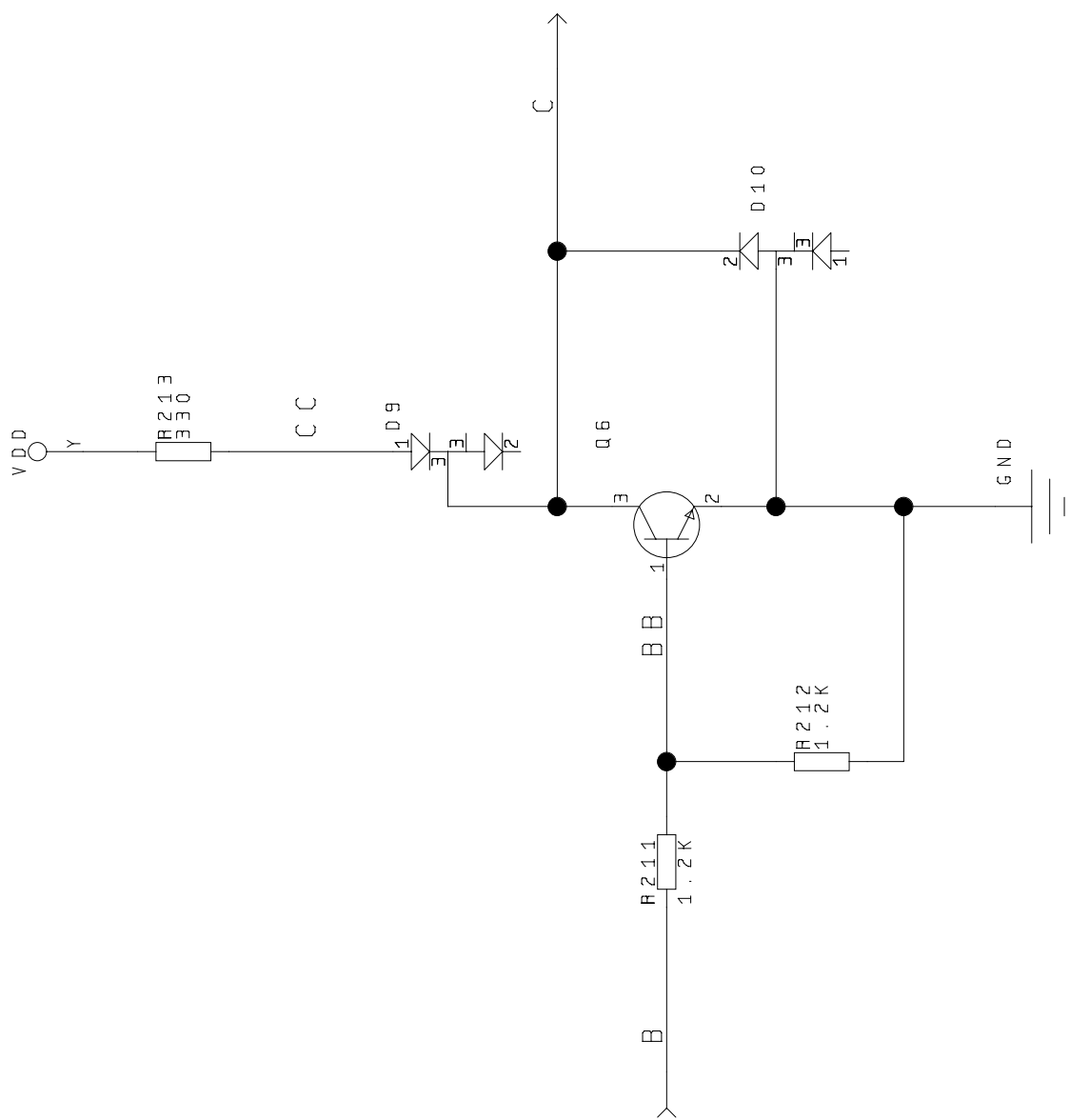
Copyright and all modification rights reserved NAVIA AVIATION AS, NORWAY




REF. NO.	ISSUE	DATE	STGN	DESCRIPTION	DRAWN	10.10.94	ER	
2837	7	13.11.96	ER	CIRCUIT DIAGRAM	CHECKED	11-13-1996-13-08	ER	
2701	6	10.04.96	ER		APPR.	10.10.94	JSA	
2498	5	29.09.95	ER		#SCH.	24	SIZE:	
2403	4	03.07.95	ER		MODULE:	L F 1 2 2 3 A	A 3	SHEET:
2259	3	16.03.95	ER		NAME:	PEAKVAL4	A 3	23
2205	2	08.02.95	ER		DWG. NO.:	15472	VERSION:	7
				PROJECT:	PROJECT			

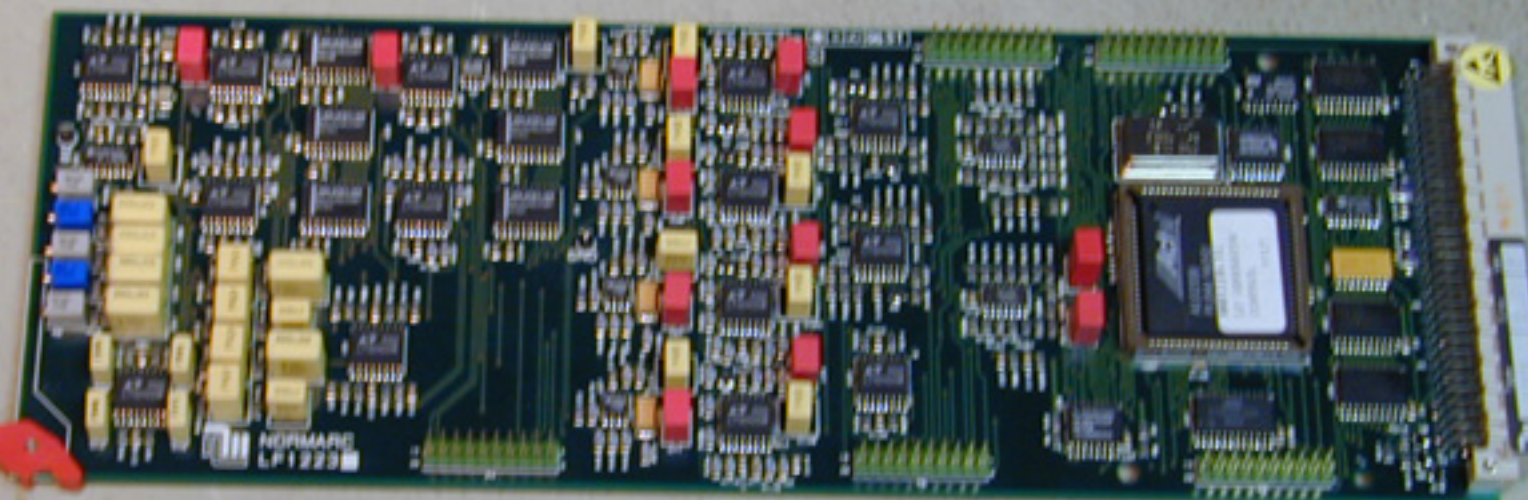


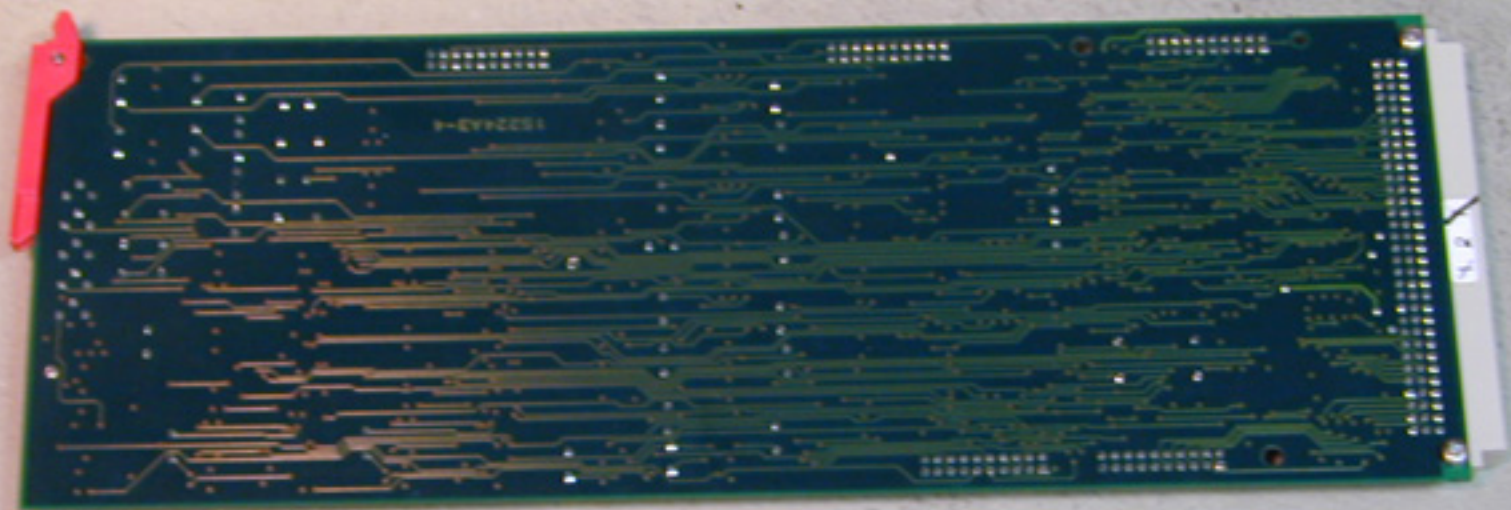
Copyright and all modification rights reserved NAVIAVIATION AS, NORWAY



REF. NO.	ISSUE	DATE	STGN	DESCRIPTION	DRAWN	10.10.94	ER	
2837	7	13.11.96	ER	CIRCUIT DIAGRAM	CHECKED	11-13-1996-13-11	ER	
2701	6	10.04.96	ER		APP.	10.10.94	JSA	
2498	5	29.09.95	ER	NAME: OPENCOLL MODULE: LF1223A	#SCH.	24	#HDL.	
2403	4	03.07.95	ER		SIZE:	A3	SHEET:	24
2259	3	16.03.95	ER	DWG. NO.	15472	VERSION:	7	
2205	2	08.02.95	ER	 Normarc Copyright and all modification rights reserved NAVIA AVIATION AS, NORWAY				PROJECT:

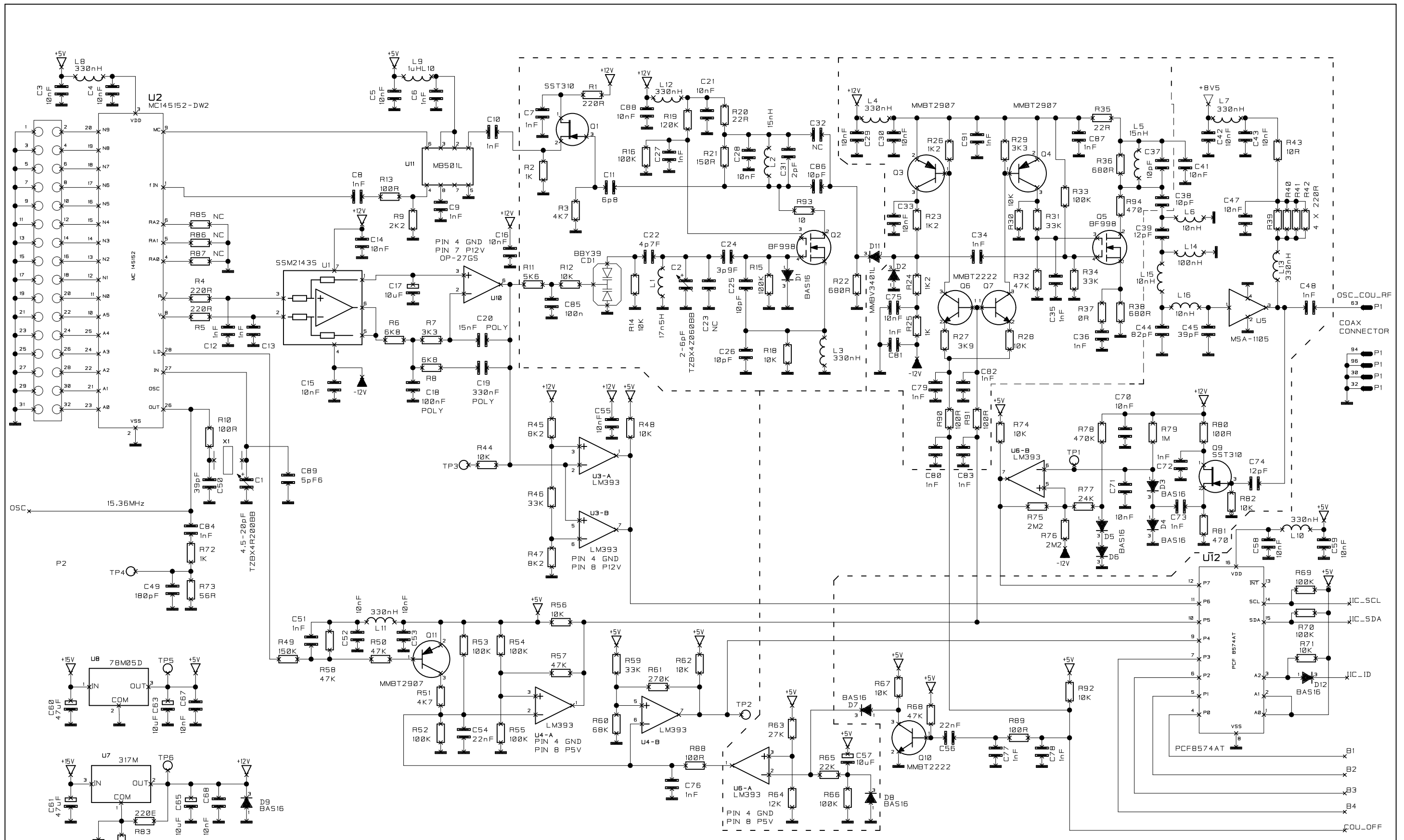
1.2 *Photos*





2 OS1221B RF Oscillator

2.1 *Circuit Diagrams*



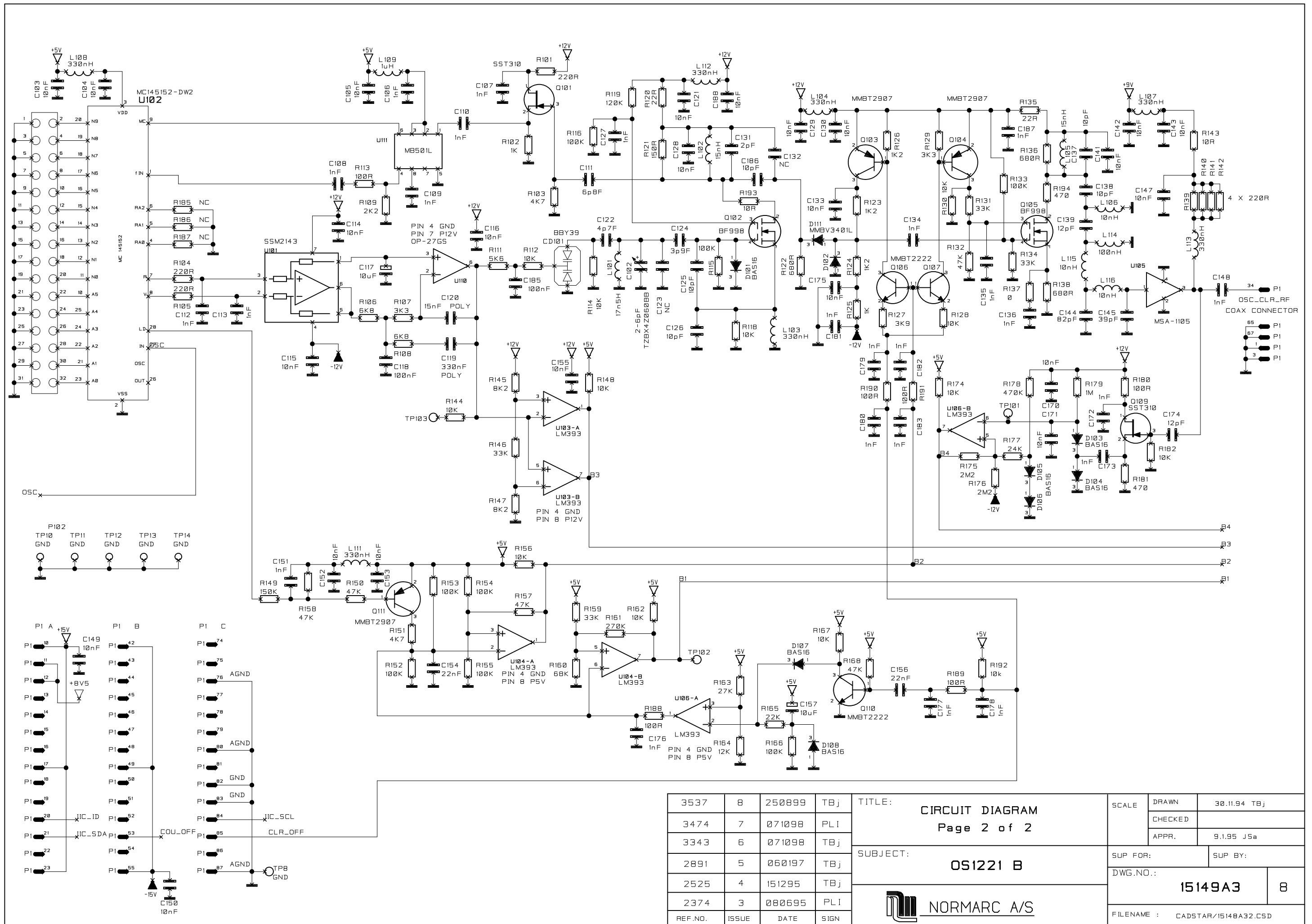
3537	8	250899	TBJ
3474	7	240299	PLI
3343	6	071098	TBJ
2891	5	060197	TBJ
2525	4	151295	TBJ
2374	3	080695	PLI
REF.NO.	ISSUE	DATE	SIGN

TITLE: **CIRCUIT DIAGRAM**
Page 1 of 2

SUBJECT: **051221 B**

NORMARC A/S

SCALE	DRAWN	30.11.94 TBJ
	CHECKED	
	APPR.	9.1.95 JSa
SUP FOR:	SUP BY:	
DWG.NO.:	15149A3	8
FILENAME :	CADSTAR/15148A31.CSD	



3537	8	250899	TBJ
3474	7	071098	PLI
3343	6	071098	TBJ
2891	5	060197	TBJ
2525	4	151295	TBJ
2374	3	080695	PLI
REF.NO.	ISSUE	DATE	SIGN

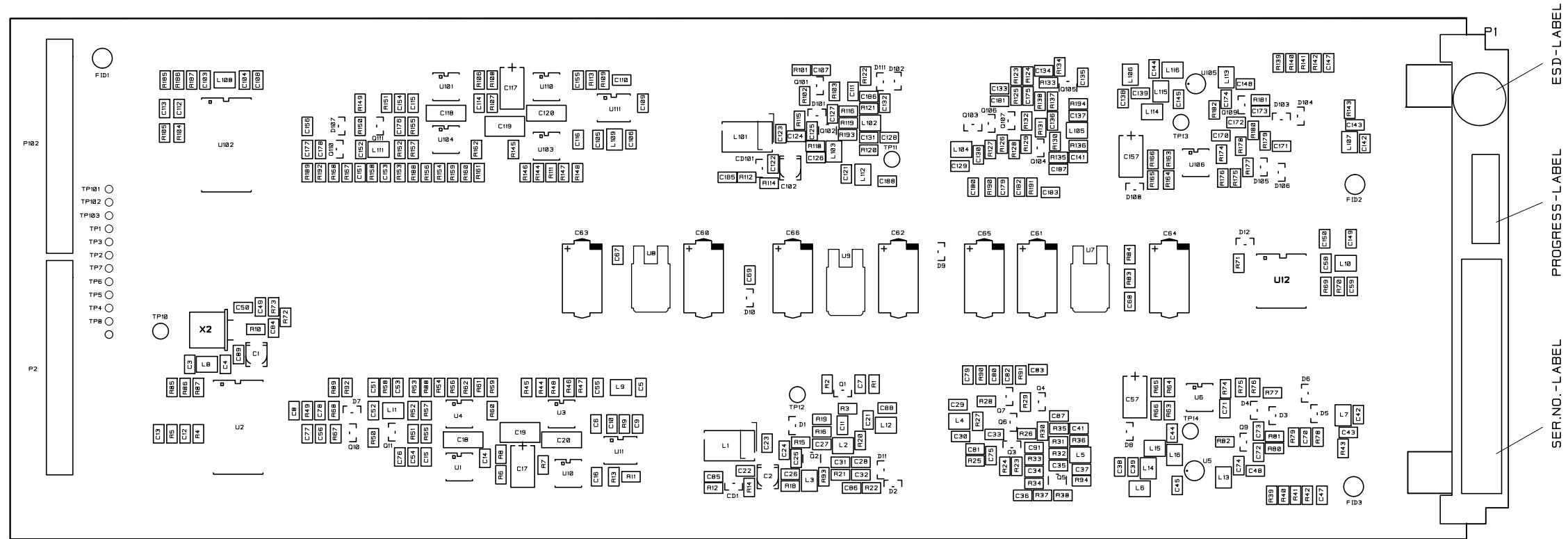
TITLE: **CIRCUIT DIAGRAM**
Page 2 of 2


SUBJECT: **OS1221 B**

NORMARC A/S

SCALE	DRAWN	30.11.94 TBJ
	CHECKED	
	APPR.	9.1.95 JSa
SUP FOR:	SUP BY:	
DWG.NO.:	15149A3	8
FILENAME :	CADSTAR/15148A32.CSD	

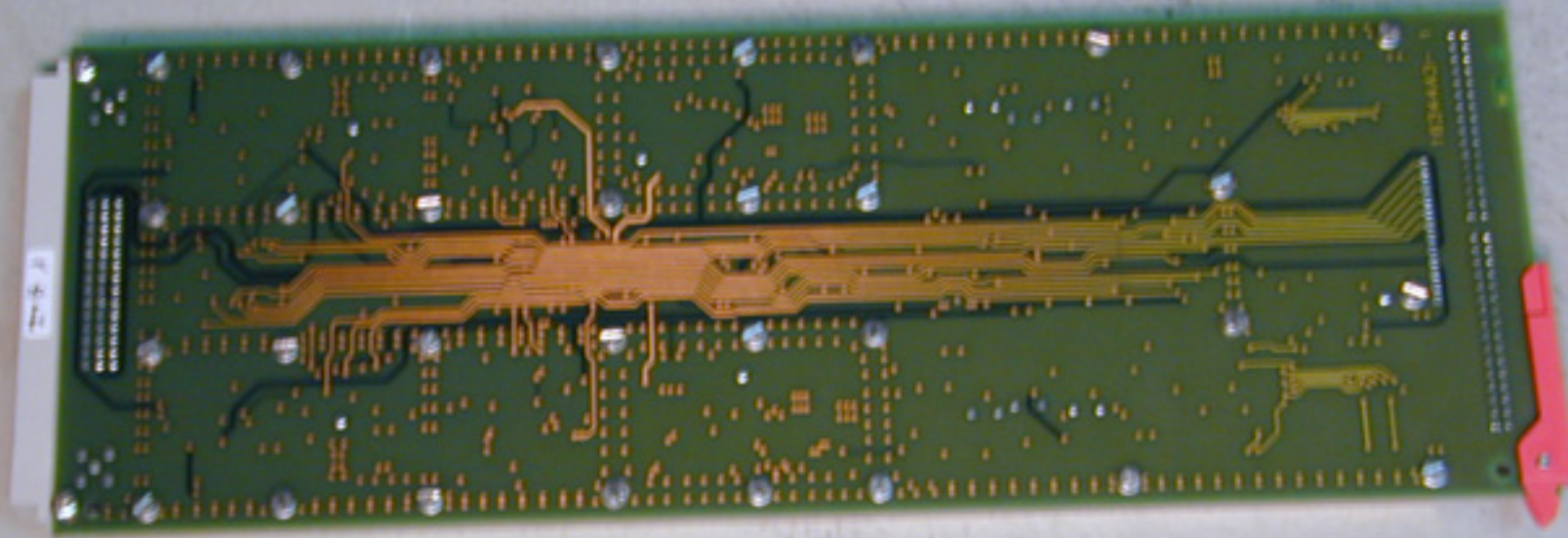
2.2 *Component Location*



				TITLE:	COMPUTER LOCATION	SCALE	DRAWN	21.12.95. TBJ
					SHEET NO. 1 OF 1	1:1	CHECKED	
3537	5	240299	TBJ	SUBJECT:	OS 1221A/B		APPR.	21.12.95. JSA
3440	4	240299	PLI			SUP FOR:	SUP BY:	
3272	3	280598	TBJ			DWG.NO.:	16453A3	ISSUE
2971	2	130597	PLI					5
REF.NO.	ISSUE	DATE	SIGN	 Copyright and all modification right reserved NAVIA AVIATION AS, NORWAY		FILENAME :		16453A3.SPL

2.3 *Photos (OS1221A)*





100-100-100

REVISION 1.0
DATE: 10/10/00
BY: [illegible]

100-100-100

REVISION 1.0
DATE: 10/10/00
BY: [illegible]