

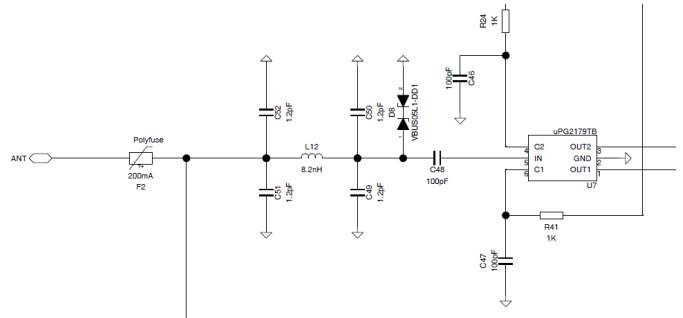
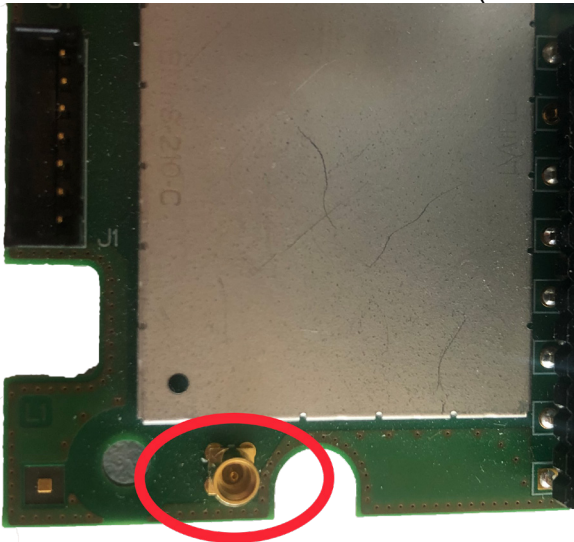
Antenna Description for Model TWS Type NN1YH

Model	TWS
Type	NN1WH
Equipment	Transmitter wireless sub-system
Manufacturer	AUTEC srl Via Pomaroli, 65 36030 CALDOGNO (VI)

1. Antenna characteristics

The used antenna is a transducer designed to transmit and receive electromagnetic waves. It can operate in 915-928MHz frequency band.

It is connected to the AIRTCPUFH board (see the attached "sch_airtcpufh") in the following point:



The used antenna is a monopole with ground plane. See the document "ANT042_870-915_description_rev0" for more details.

Used frequency band	915 - 928 MHz
Antenna type	external antenna
Antenna gain	<2 dBi