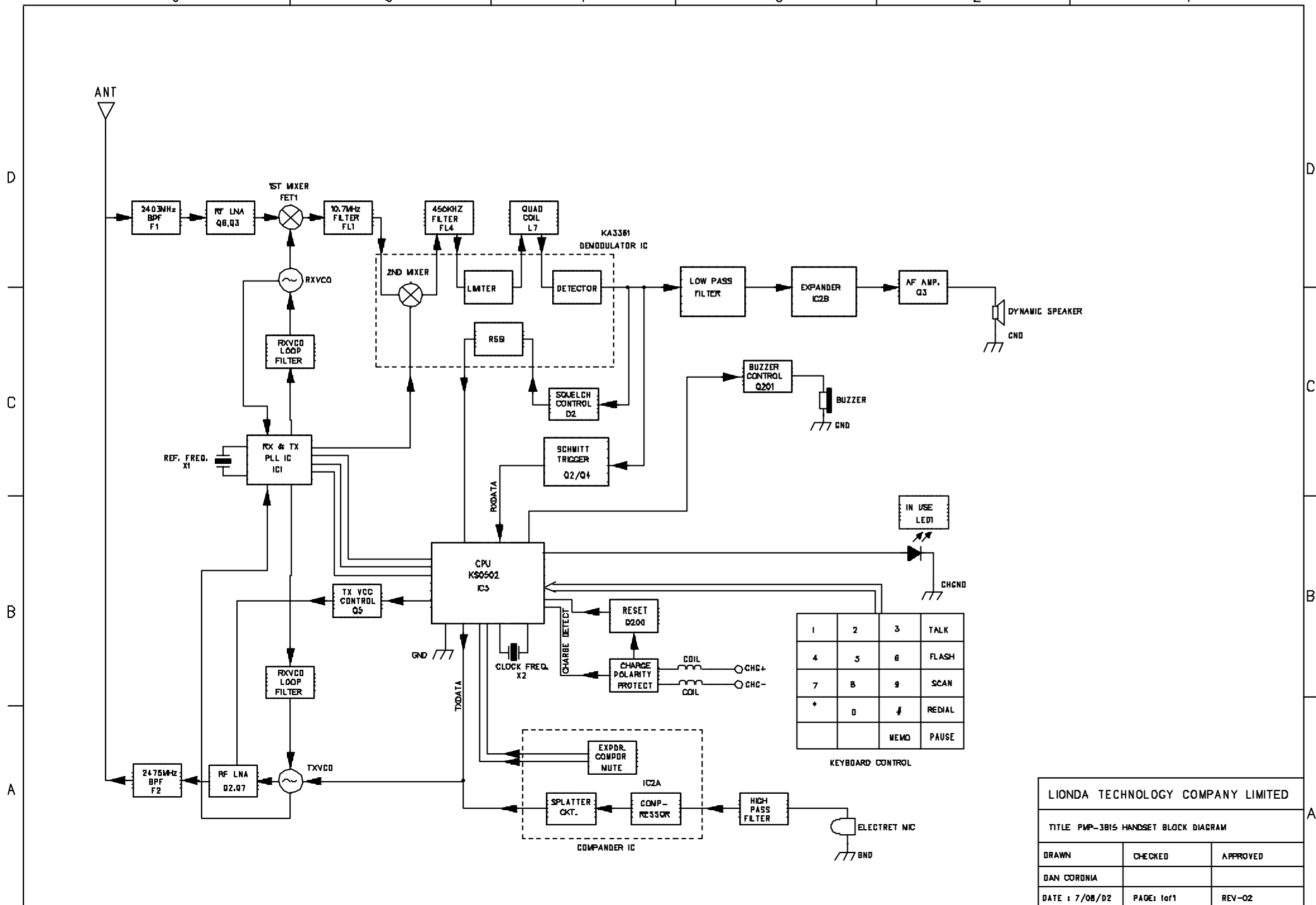


LIONDA TECHNOLOGY COMPANY LIMITED		
TITLE: PMP-3815 BASE BLOCK DIAGRAM		
DRAWN BY	CHECKED	APPROVED
DAN CORONA		
DATE : 7/08/02	PAGE: 1of1	REV-02



LIONDA TECHNOLOGY COMPANY LIMITED

TITLE PMP-3815 HANDSET BLOCK DIAGRAM

DRAWN	CHECKED	APPROVED
DAN CORDINA		
DATE : 7/08/02	PAGE: 1of1	REV-02