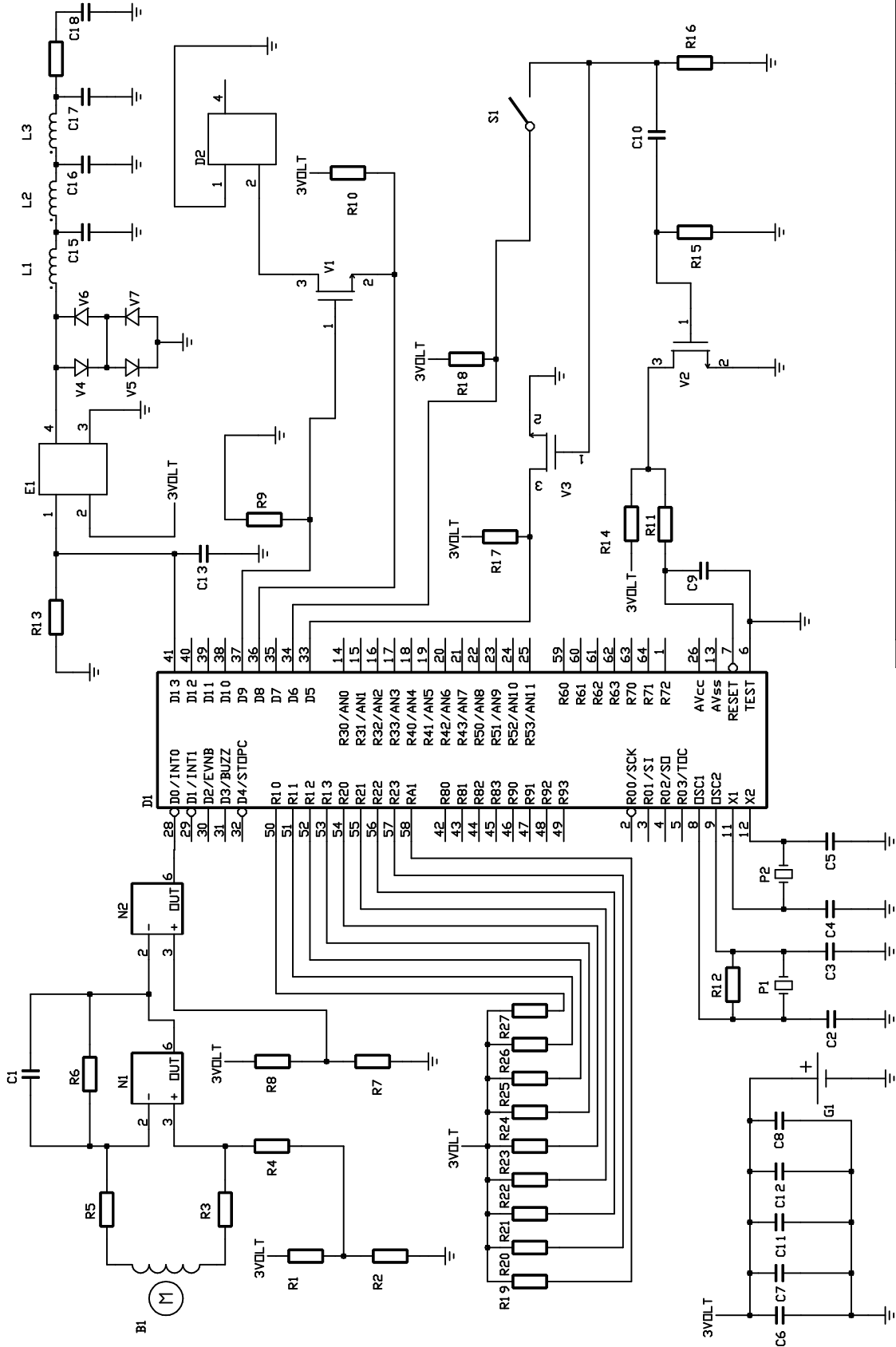


This document may constitute a contractual obligation on the part of Alfa Laval Agri AB and its contents are the exclusive property of Alfa Laval Agri AB, and may not be copied, reproduced, transmitted or communicated to a third party, nor used for any purpose without written permission.

This document and its contents are the exclusive property of Alfa Laval Agri AB, and may not be copied, reproduced, transmitted or communicated to a third party, nor used for any purpose without written permission.



Article No.	Name/Designation	Material (if not condition)	Note
		Blank	
<b>Title</b> KRETSKORT AKTIV. MÄTARE KS CIRCUIT BOARD ACTIV. METER CD			
First angle projection	Scale /	Dept. MAT	Date 970417
Method ISO E	Class No. 2837	Drawn RF	Checked Appr. SAS
ACAD			Document No. 906863
			Revision No. 0
			No. of sheets 1
			Sheet No. 1
			TUMBA SWEDEN
			<b>Alfa Laval Agri</b>

Rev. No.	Date	Revised	Checked	Appr.
0				