

***EXHIBIT C***

***User Manual***



**DIGITAL SPREAD SPECTRUM**

**900MHz**

**TK8800**

**Easy Use Easy Life !**



# **INTRODUCTION**

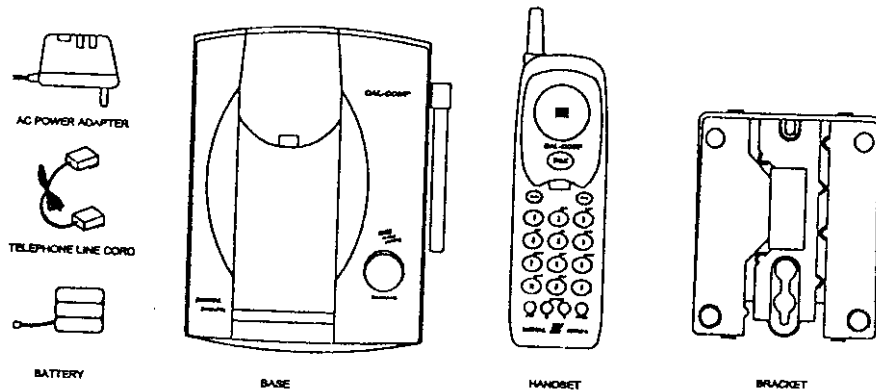
Your cordless telephone is designed to give you flexibility in use and high quality performance. To get the most from your new cordless telephone, we suggest that you take a few minutes right now to read through this instruction manual:

## **TABLE OF CONTENTS**

<b>GETTING STARTED</b> -----	<b>2</b>	<b>PAGING THE HANDSET</b> -----	<b>9</b>
<b>MODULAR JACK REQUIREMENT</b> ----	<b>2</b>	<b>ADVANCED FEATURES</b> -----	<b>10</b>
<b>HANDSET SETUP</b> -----	<b>3</b>	<b>THE MEMORY FEATURE</b> -----	<b>10</b>
<b>DESKTOP INSTALLATION</b> -----	<b>4</b>	<b>STORING A NUMBER IN MEMORY</b> -----	<b>10</b>
<b>WALL MOUNT INSTALLATION</b> ----	<b>5</b>	<b>CHANGING A STORED NUMBER</b> -----	<b>11</b>
<b>CORDLESS PHONE BASICS</b> -----	<b>6</b>	<b>DIALING A STORED NUMBER</b> ----	<b>11</b>
<b>MAKING A CALL</b> -----	<b>6</b>	<b>ADDING A PAUSE WHEN YOU STORE A</b>	
<b>TALK LIGHT</b> -----	<b>6</b>	<b>NUMBER IN MEMORY</b> -----	<b>11</b>
<b>REDIAL</b> -----	<b>6</b>	<b>STORING A TEMPORARY TONE NUMBER</b>	
<b>RECEIVING A CALL</b> -----	<b>6</b>	<b>IN MEMORY</b> -----	
<b>FLASH BUTTON</b> -----	<b>7</b>	<b>CHAIN DIALING FORM MEMORY</b> -----	<b>12</b>
<b>ADJUSTING THE VOLUME</b> -----	<b>7</b>	<b>HANDSET BATTERY INFORMATION</b>	
<b>HANDSET EARPIECE VOLUME</b> ----	<b>7</b>	-----	<b>13</b>
<b>RINGER VOLUME</b> -----	<b>8</b>	<b>BATTERY SAFETY PRECAUTIONS</b> -----	<b>13</b>
<b>SELECTING A RING TONE</b> -----	<b>8</b>	<b>CHANGING THE BATTERY</b> -----	<b>14</b>
<b>TEMPORARY TONE</b> -----	<b>8</b>	<b>TROUBLESHOOTING GUIDE</b> -----	<b>15</b>
		<b>GENERAL PRODUCT CARE</b> -----	<b>17</b>
		<b>CAUSES OF POOR RECEPTION</b> ----	<b>18</b>

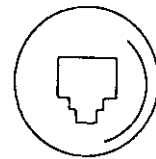
## **GETTING STARTED**

Make sure your package includes the items shown here.



### ***MODULAR JACK REQUIREMENTS***

You need an RJ11 type modular jack, which is the most Common type of phone jack and might look like the one Pictured here. If you don't have a modular jack, call your local phone company to find out how to get one installed.



### **INSTALLATION NOTE:**

*Some cordless telephones operate at frequencies that may cause interference to nearby TVs and VCRs. To minimize or prevent such interference, the base of the cordless telephone should not be placed near or on top of a TV or VCR. If interference continues, moving the cordless telephone farther away from the TV or VCR will often reduce or eliminate the interference.*

### **HANDSET SETUP**

1. Insert the battery into the compartment.
2. Install the battery compartment door.

#### **IMPORTANT:**

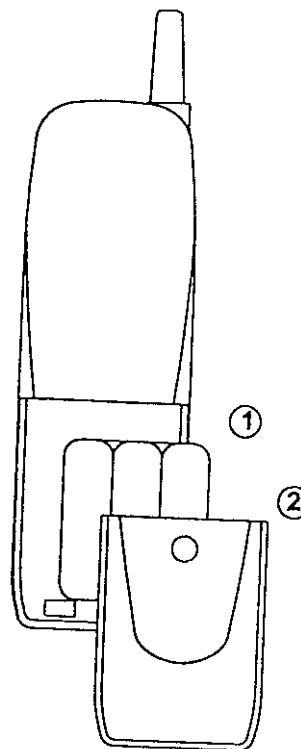
*If you don't charge the handset battery properly (for 12 hours) when you first set up the phone, the battery's long-term performance will be compromised.*

#### **TIP:**

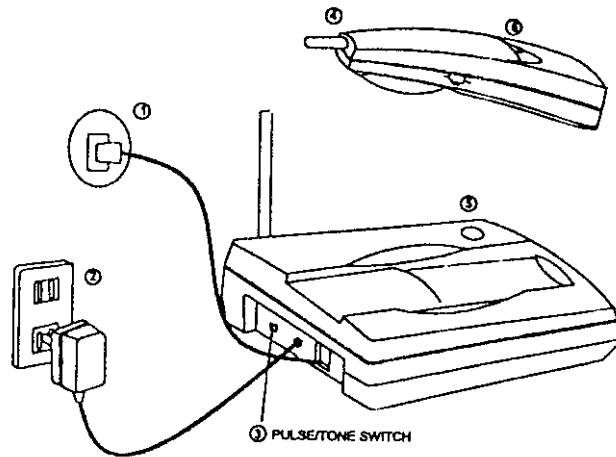
*In order to maximize your battery's use, we recommend that you periodically use the handset without returning it to the base to drain the battery completely, then recharge for 12 hours.*

#### **CAUTION:**

*Because cordless phones operate on electricity, you should have at least one phone in your home that isn't cordless in case the power in your home goes out.*



## DESKTOP INSTALLATION



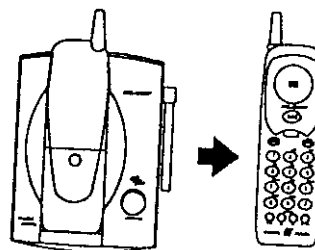
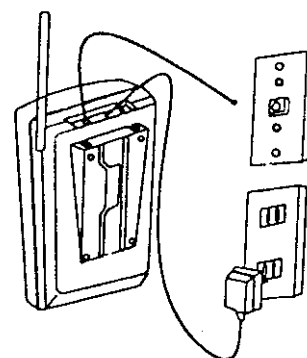
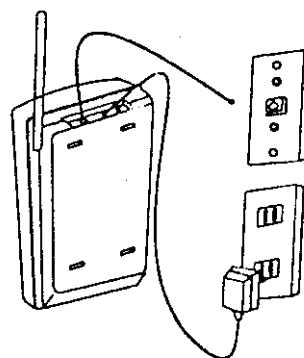
1. Plug the telephone line cord into the **PHONE LINE** jack on the back of the base and into a modular jack.
2. Plug the power supply cord into the **9V DC** jack on the base and into an **AC outlet**.
3. Set the **TONE/PULSE** switch to **TONE** for touch-tone service, or **PULSE** for rotary service. If you don't know which type of service you have, Check with the phone company.
4. Select **RINGER ON** or **OFF** (on the side of handset). When you select **OFF**, the handset doesn't ring.
5. Raise the base antenna.
6. Place handset in the base to charge for 12 hours. The **CHARGE/IN USE** light comes to indicate that the battery is charging.

*If you don't charge the handset battery properly (for 12 hours) when you first set up the phone, the battery's long-term performance will be compromised.*



### WALL MOUNT INSTALLATION

1. Plug the short telephone line cord into the **PHONE LINE** jack on the back of the base and into a modular jack.
2. Plug the power supply cord into the **9V DC** jack on the base and into an **AC outlet**.
3. install the base plate by putting the tabs into the slots on the top of the unit first, and then snapping the bottom tabs into place.
4. Slip the mounting holes over the wall plate posts and slide the unit down firmly into place. (wall plate not included.)
5. Set the **TONE/PULSE** switch to **TONE** for touch-tone service, or **PULSE** for rotary service. If you don't know which type of service you have, check with the phone company.
6. Select **RINGER ON** or **OFF** (on the side of handset ). When you select **OFF**, the handset doesn't ring.
7. Raise the base antenna.
8. Place handset in the base to charge for 12 hours. The **CHARGE/IN USE** light comes on indicating that the battery is charging.



## **CORDLESS PHONE BASICS**

### **MAKING A CALL**

After initial set up, the handset battery should be charged for at least 12 hours. The only two things you need to know to make a call are:

-Press the **TALK** button before you dial.

If you try to make a call when you're too far away from the base, the handset beeps.

-Press **TALK** or place the handset in the base to hang up.

### **TALK LIGHT**

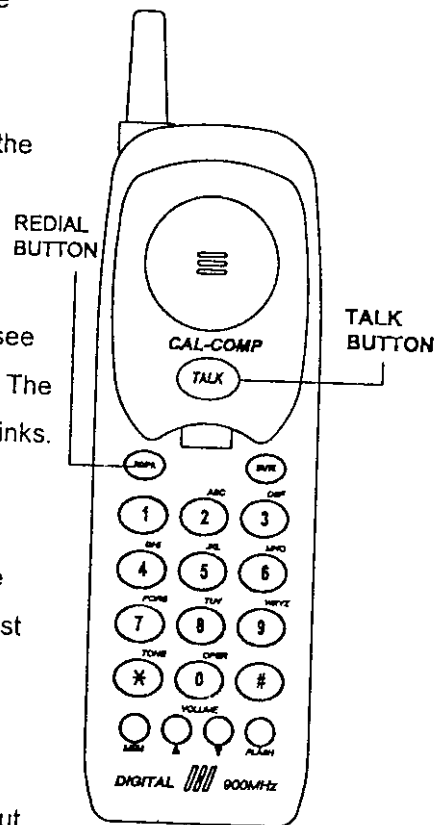
You know the phone is on when you see the **TALK** button on the handset light. The **CHARGE/IN USE** light on the base blinks.

### **REDIAL**

Press the **TALK** button, then press the **REDIAL/PAUSE** button to redial the last number (up to 32 digits) you called.

### **RECEIVING A CALL**

To answer a call when the handset is out



of the base, you must press the **TALK** button before you can talk.

### **FLASH BUTTON**

Use the **FLASH** button to activate custom calling service such as call waiting or call transfer, which are available through your local phone company.

#### **IMPORTANT:**

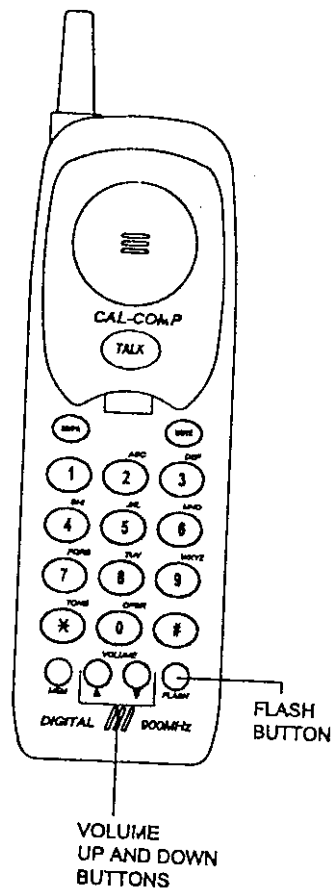
Don't use the **TALK** button to activate custom calling services such as call waiting, or you'll hang up the phone.

### **ADJUSTING THE VOLUME**

The **VOL** up and down buttons on the handset control the volume of the handset's earpiece and the ringer volume.

#### **HANDSET EARPIECE THE VOLUME**

To change the volume of the handset's earpiece, press **VOL** up or down while you're talking on the phone.



### **RINGER VOLUME**

To adjust the ringer volume, press the **VOL** up or down buttons when the phone is on-hook (phone is inactive, **TAKE** light is off).

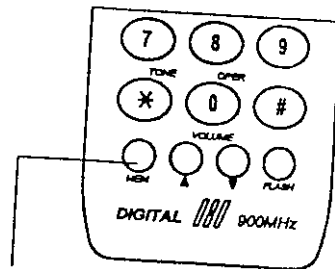
### **SELECTING A RING TONE**

There are 4 ring tones built into your phone. To choose a ring tone, press **FLASH** followed by either 1,2,3, or 4. When the phone is on-hook (phone is inactive, **TALK** light is off).

### **TEMPORARY TONE**

This feature enables people who have pulse (rotary) service to access touch-tone services offered by banks, credit card companies, etc., by pressing the tone button to temporarily make the phone touch-tone compatible. To get information about your bank account, for example, you would:

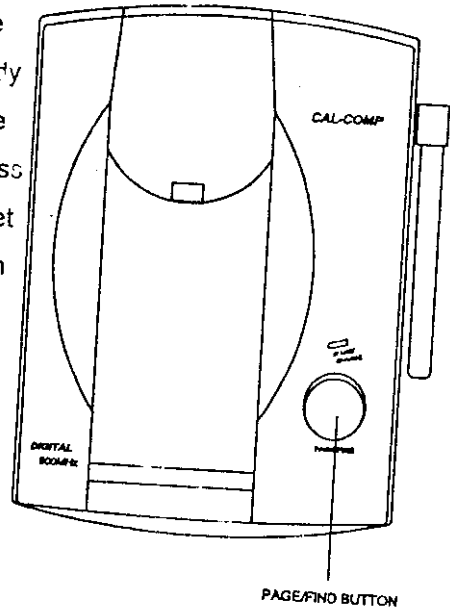
1. Press the **TALK** button.
2. Call the bank's information line.
3. Press the **TONE** button after your call is answered.



4. Follow the bank's voice instructions to complete your transaction.
5. Hang up when finished. The phone returns to pulse (rotary) service.

**PAGING THE HANDSET**

Press the *PAGE/FIND* button on the base to get the attention of somebody who is using the handset or to locate a misplaced handset. When you press *PAGE/FIND* on the base, the handset beeps (the *CHARGE/IN USE* light on the base blinks). Press the *TALK* button when you locate the handset to stop the *PAGE/FIND* feature. Remember that the *RINGER* switch on the side of the handset to beep.



# **ADVANCED FEATURES**

## **THE MEMORY FEATURES**

Store up to 20 numbers in memory for quick dialing.

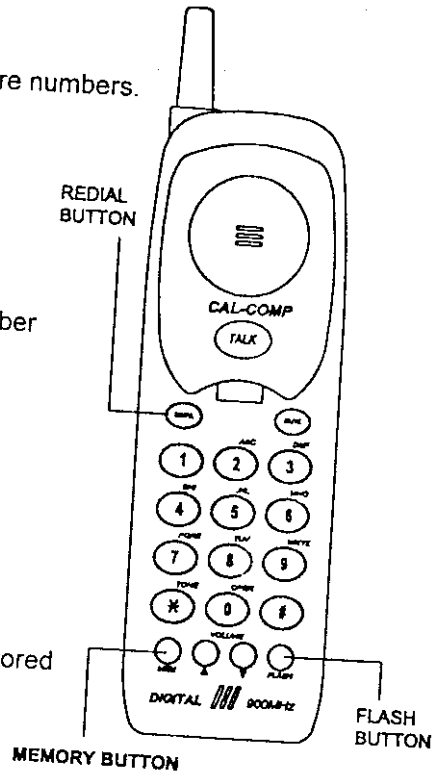
### **STORING A NUMBER IN MEMORY**

The phone must be off when you store numbers.

1. Press the **MEMORY** button  
(TALK light blinks).
2. Dial the number (up to 16 digits).
3. Press **MEMORY**.
4. Use the keypad to enter a 2-digit number (01-20) to store the number in that member location (the phone beeps).  
You'll hear an error tone if you try to store more than 16 digits.

### **CHANGING A STORED NUMBER**

Use the same procedure to change a stored number as you do to store a number-in a sense, you're moving the phone number to a different memory location.



***DIALING A STORED NUMBER***

1. Press the TALK button to get a dial tone.
2. Press MEMORY.
3. Press any number key (01-20) to store the dialed number in that memory location.

***ADDING A PAUSE WHEN YOU STORE A NUMBER IN MEMORY***

Use the ***REDIAL/PAUSE*** button to insert a pause in the dialing sequence when you store a number (for example, when you must dial 9 to get an outside line or enter codes to access your bank's information line).

To add a pause because you must dial 9 to get outside line:

1. Press ***MEMORY***.
2. Press 9.
3. Press the ***REDIAL/PAUSE*** button.
4. Dial the phone number.
5. Press ***MEMORY***.
6. Use the keypad to enter a 2-digit number (01-20) to store the number in that memory location (the phone beeps).

**STORING A TEMPORARY TONE NUMBER IN MEMORY**

1. Press the **MEMORY** button.
2. Dial the number (up to 16 digits).
3. Press the **TONE** button to switch to tone dialing. (The **TONE** counts as one digit.)
4. Enter authorization code/access numbers.
5. Press **MEMORY**.
6. Press any number Key (01-20) to store the dialed number in that memory location.

**CHAIN DIALING FORM MEMORY**

Use this feature to make calls which require a sequence of numbers, for instance if you use a calling card for a frequently called long distance number. Basically, you dial each part of the sequence form memory. The following example shows how you can use chain dialing to make a call through a long distance service:

The Number For	Memory Location
Long distance access number	07
Authorization code	08
Frequently call long distance number	09

1. Press the **TALK** button to get a dial tone.
2. Press the **MEMORY** button and then press 07.
3. When you hear the access tone, press **MEMORY** and then press 08.
4. At the next access tone, press **MEMORY** and then 09.



## **HANDSET BATTERY INFORMATION**

### *BATTERY SAFETY PRECAUTIONS*

- Don't disassemble, mutilate, puncture, wet, or dispose of battery in fire. Like other batteries of this type, if it is burned or punctured, it could release toxic materials which can cause injury.
- Keep batteries out of the reach of children.

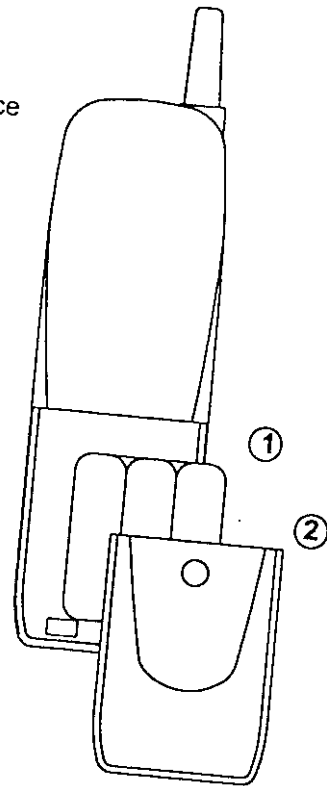
### CHANGING THE BATTERY

Your cordless handset is powered by a nickel cadmium battery pack. The battery pack needs to be recharged periodically. A fully charged battery gives you approximately 4 hours of talk time or 7 days of stand-by time. Return the handset to the base whenever possible to keep the battery adequately charged.

The handset runs on a consumer-replaceable, nickel-cadmium battery pack. If you experience any of the following problems, you may need to replace the battery pack:

short talk time, poor sound quality, limited range, **CHARGE/IN USE** light fails to light. Make sure phone is **OFF** before you replace battery.

1. Remove the battery compartment door.
2. Remove the battery pack.
3. Insert the new battery into the compartment on the back of the handset.
4. Replace the battery compartment door.
5. Return the handset to the base unit for at least 12 hours to adequately charge a new battery pack.



## **TROUBLESHOOTING GUIDE**

In case of different, please check the following troubleshooting Guide before seeking service.

Problem	Solution
No dial tone	<ul style="list-style-type: none"> <li>- Check installation:                             <ul style="list-style-type: none"> <li>. Is the base power cord connected to a working outlet?</li> <li>. Is TALK light on?</li> <li>. Is the telephone line cord connected to the base unit and the wall jack?</li> </ul> </li> <li>-Disconnect the base from the wall jack and connect another phone to the same jack. If there is no dial tone in the second phone, the problem might be your wiring or local service.</li> <li>-Is the handset out of range of the base?</li> <li>-Make sure the battery is properly charged(12 hours).</li> <li>-Is the battery pack installed correctly?</li> <li>-place handset in base for 10 seconds to reset the phone.</li> <li>-If the phone still dose not work, disconnect the power cord and remove the battery pack. Then reconnect the power cord and reinstall the battery pack. Place handset in the base for 10 seconds to allow it to reinitialize.</li> </ul>
Dial tone is OK, but can't dial out	<ul style="list-style-type: none"> <li>-Make sure the <i>TONE/PAUSE</i> switch on the base is set correctly.</li> </ul>
Handset does not ring	<ul style="list-style-type: none"> <li>-Make sure the <i>RINGER ON/OFF</i> switch on the handset is turn to ON.</li> <li>-You may have too many extension phones on your line. Try unplugging some phones.</li> <li>-See solutions for "No dial tone".</li> </ul>
Cannot hear phone	<ul style="list-style-type: none"> <li>-Press <i>VOL</i> up button on the handset.</li> </ul>
You experience noise, or fading in and out	<ul style="list-style-type: none"> <li>-Charge battery.</li> <li>-Is handset out of range? Move closer to base.</li> <li>-Dose the base need to be relocated?</li> <li>-Make sure base is not plugged into an outlet with another household appliance.</li> </ul>

Unit beeps	<ul style="list-style-type: none"> <li>-you may be receiving an out-of-rang alert, move closer to the base.</li> <li>-Place handset in base for 10 seconds to reset the phone. The <i>CHARGE/IN USE</i> light blinks one time when reset is successful.</li> <li>-Put handset in base for 12 hours to recharge battery.</li> <li>-Clean charging contacts on handset and base with a soft cloth or an eraser.</li> <li>-See solutions for "No dial tone".</li> <li>-Replace battery.</li> </ul>
TALK light keeps flashing	<ul style="list-style-type: none"> <li>-The base unit and the handset aren't connecting with each other. Place the handset in the base for 10-15 seconds(the <i>CHARGE/IN USE</i> light on the base blinks one time.</li> </ul>
Cannot hear the <i>PAGE/FIND</i> tone	<ul style="list-style-type: none"> <li>-Set the <i>RINGER</i> to ON.</li> </ul>
Range is shorter than normal	<ul style="list-style-type: none"> <li>-Position the base antenna upward.</li> </ul>
Battery will not hold a charge	<ul style="list-style-type: none"> <li>-Be sure you are sufficiently charging the battery. When the battery has been charged for 12 hours.</li> <li>-Make sure battery contacts on both the handset and the base are making contact and are clean; free of dirt or lint.</li> <li>-When the handset is placed in the base, make sure that the base <i>CHARGE/IN USE</i> light is on.</li> </ul>
Memory Dialing does not work	<ul style="list-style-type: none"> <li>-Memory location must be 2 digits(i.e, 01,02, etc.).</li> <li>-Did you program the memory location keys correctly?</li> <li>-Did you follow proper dialing sequence?</li> <li>-Make sure <i>TONE/PULSE</i> switch is correctly set.</li> </ul>

## **GENERAL PRODUCT CARE**

To keep your telephone working and looking good, follow these guidelines:

- Avoid putting the phone near heating appliances and devices that generate electrical noise (for example, motors or fluorescent lamps).
- DO NOT expose to direct sunlight or moisture.
- Avoid dropping the handset, as well as other rough treatment to the phone.
- Clean the phone with a soft cloth.
- Never use a strong cleaning agent or abrasive powder because this will damage the finish.
- Retain the original packaging in case you need to ship the phone at a later date.
- Periodically clean the charge contacts on the handset and base with a soft cloth.

## **CAUSE OF POOR RECEPTION**

- Aluminum siding.
- Foil backing on insulation.
- Heating ducts and other metal construction can shield radio signals.
- You're too close to appliances such as microwaves, stoves, computers, etc.
- Atmospheric conditions, such as strong storms.
- Base is installed in the basement or lower floor of the house.
- Base is plugged into an AC outlet with other electronic devices.
- Handset battery is low.
- You're out of range of the base.