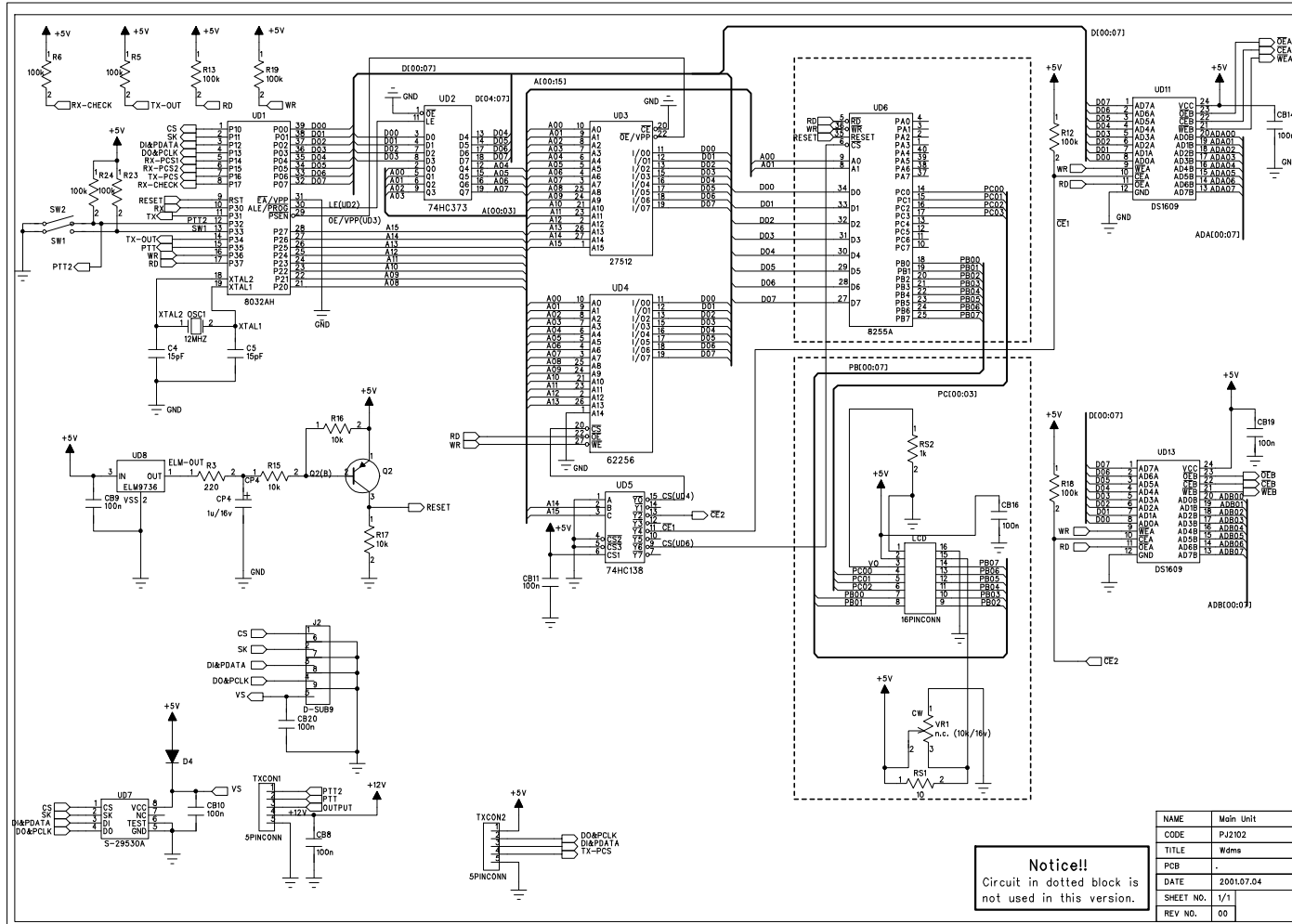


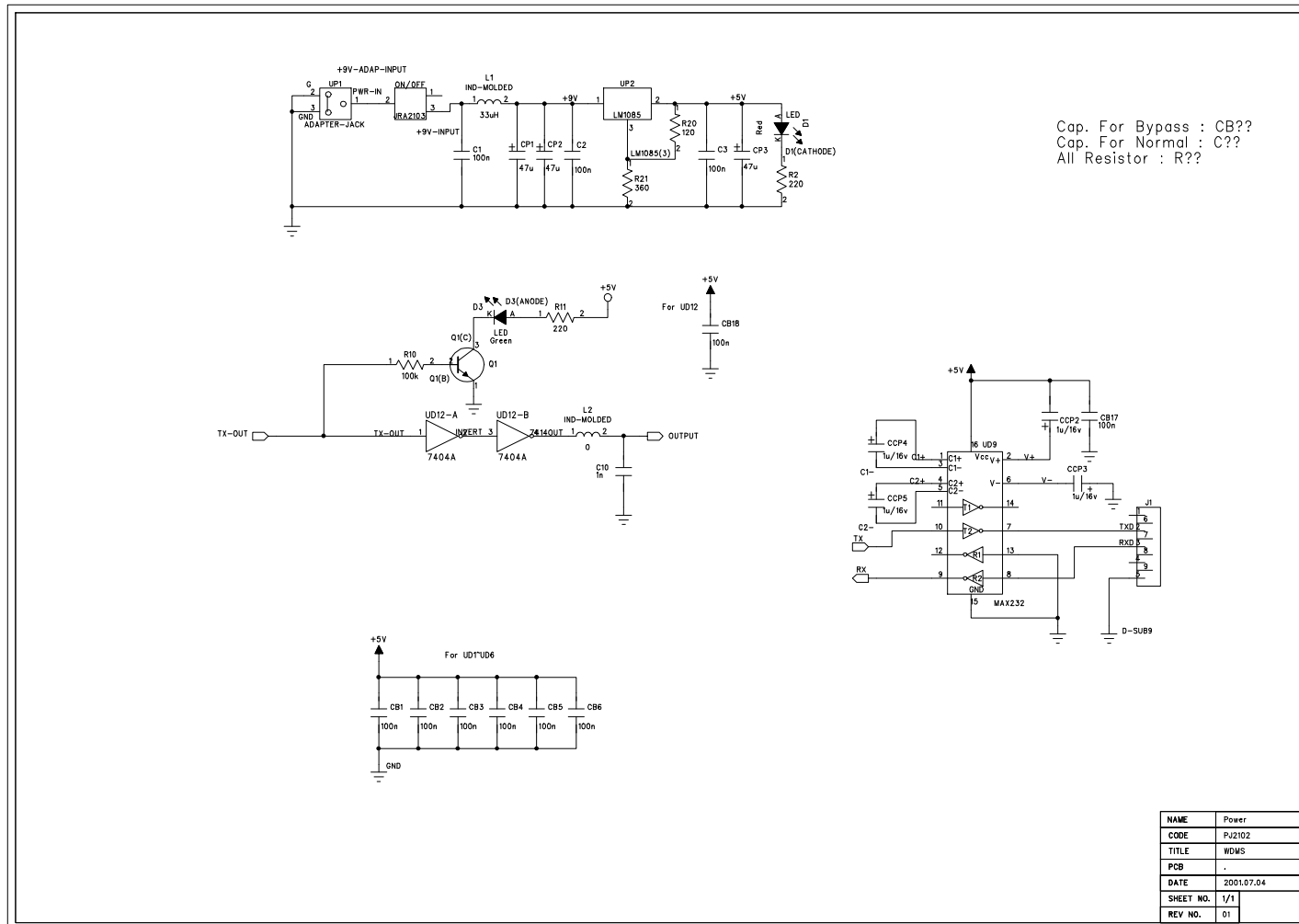
*Wireless Data Controller(Main Unit) Schematics

. Logic Circuits

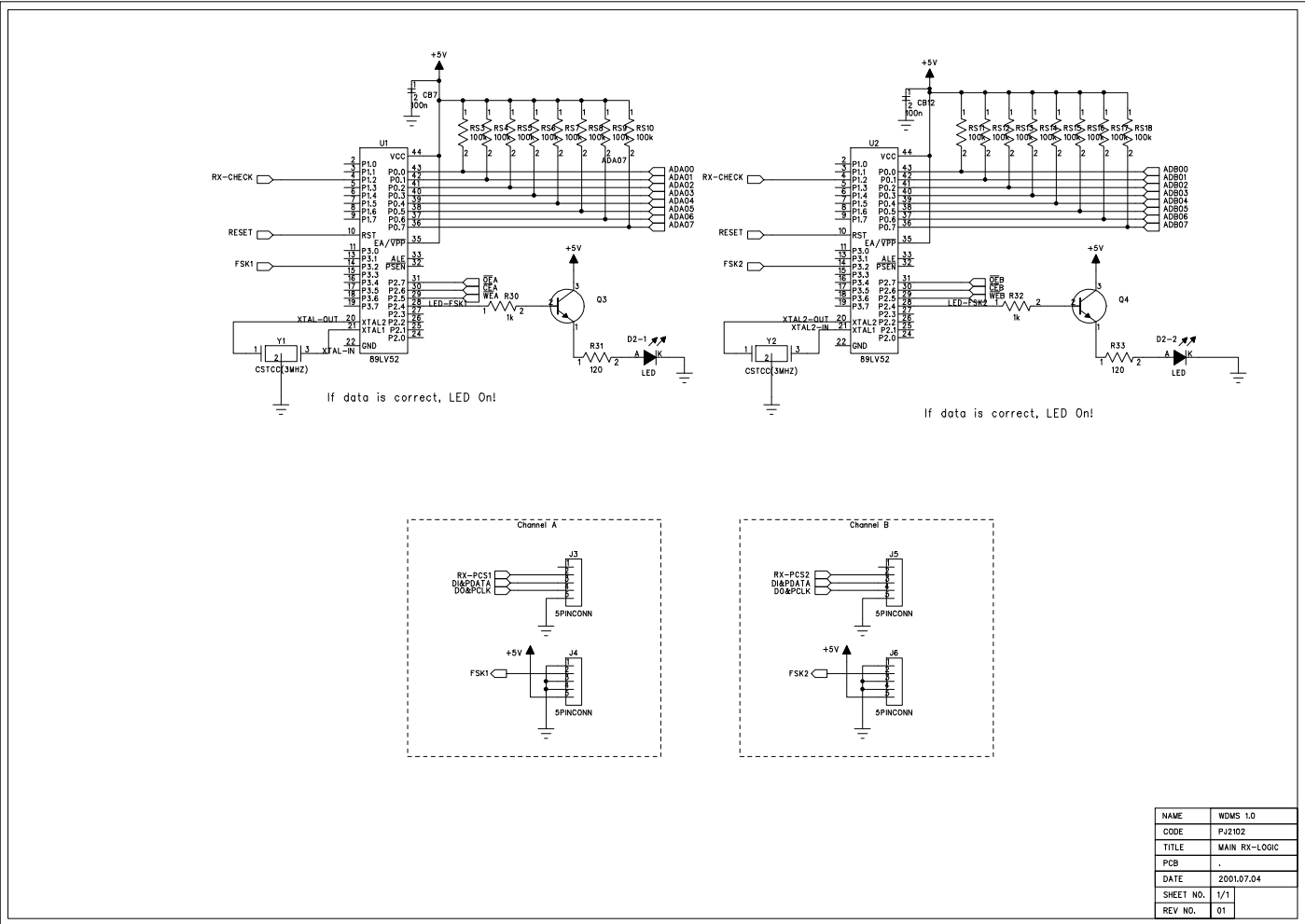
A. Main Logic



B. Power



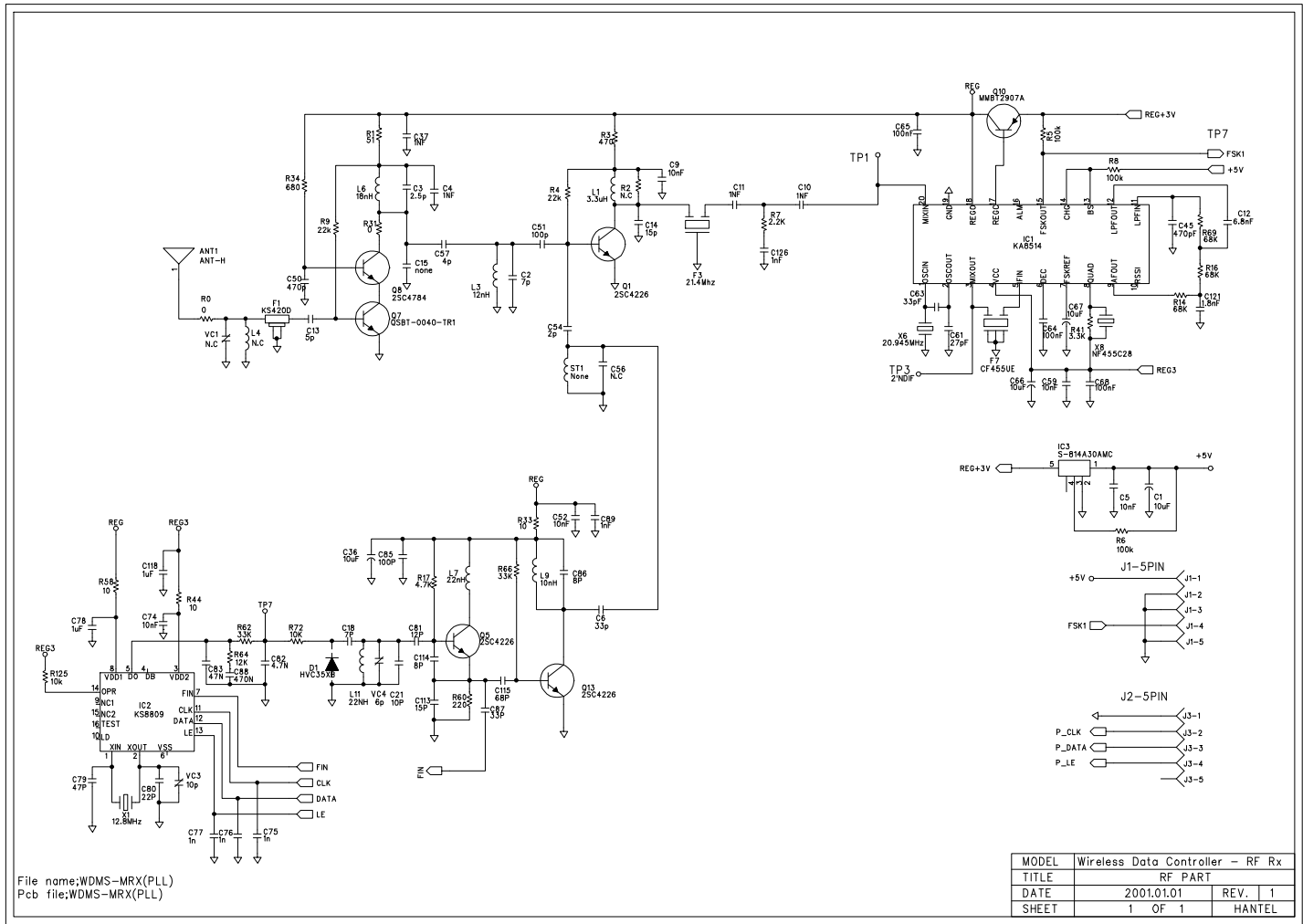
C. RX Logic



| | |
|-----------|---------------|
| NAME | NDMS 1.0 |
| CODE | PJ2102 |
| TITLE | MAIN RX-LOGIC |
| PCB | . |
| DATE | 2001.07.04 |
| SHEET NO. | 1/1 |
| REV. NO. | 01 |

. RF Circuits

B. RX RF



C. TX RF

