

Active Seal Circuit description:

1. Reference documents: Circuit Diagram #31U10010 REV-B

2. Functional description:

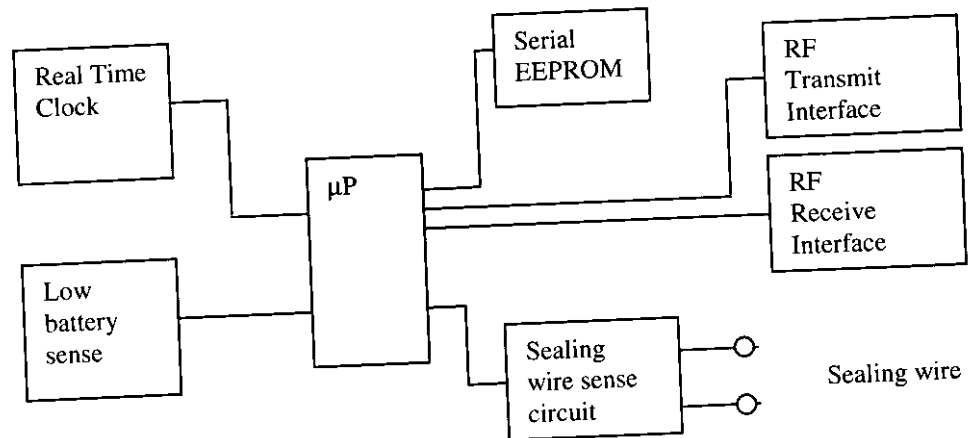
The seal is generally in sleep mode and wakes up periodically (~2S period) to test the sealing wire. If the sealing wire is OK, the seal goes back to sleep. If the sealing wire is tampered (Resistance changed or open) an event is logged in the seal memory.

When interrogation cycle begins the seal wakes up and communicate with reader.

The data transmitted, has a 250KHz carrier which is modulated with 2KHz data. the modulation is pulsed RF.

3. Circuit description:

Block diagram:



The μP (U1) is RISC PIC16C622 and it controls the seal system. Its clock frequency is 2MHz.

Real Time Clock (U2) has 32768Hz clock and communicate with the μP via a serial 2 wire communication with ~50KHz clock.

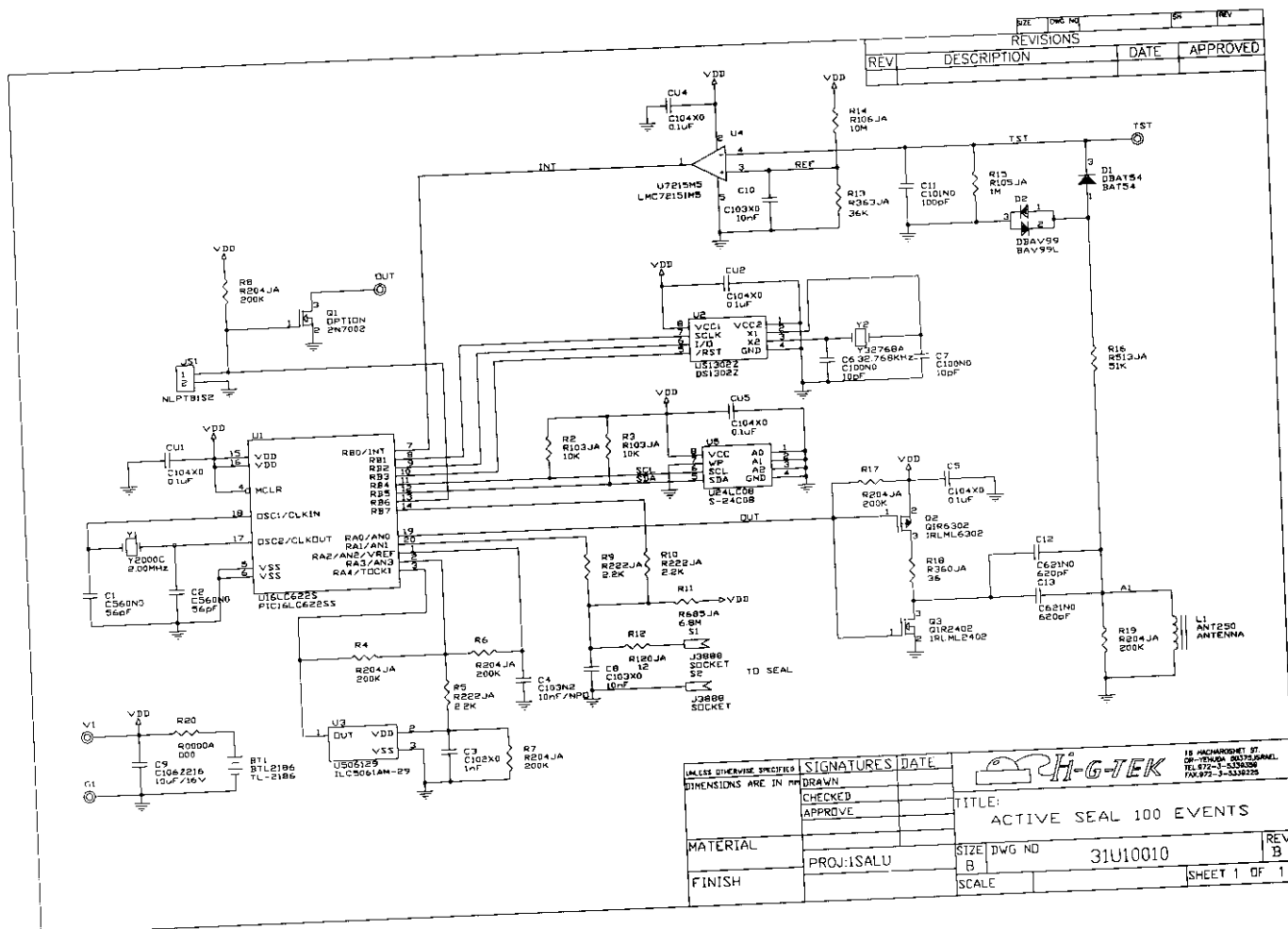
Serial EEPROM: (U5) 8Kbit EEPROM witch contains the seal data and all sealing events. It communicates the μP via an I²C protocol with ~50KHz clock.

Transmit RF Interface: Q2,Q3 are drivers to the antenna (ferrite rod type), the modulated data goes out from the μP to the drivers. R18 is for transmission current limit.

Receive circuit: The received data on the antenna L1, goes to the detection diodes D1,D2 and to the comparator (U4) witch compares the received data to a reference produced by R13,R14. The comparator output is the received digital data witch goes to the μP .

Sealing wire measurement circuit: The sealing wire resistance is measured by a one slope A/D. The measuring circuitry contains R9, R10, R11, R12, C8, and a comparator, which is in the μP . The sealing wire is connected to the sockets S1,S2. The seal power is a lithium 3.6V battery (BT1). Q1 is not populated. JS1 is used to enter the μP to a special programming mode in the production line.

Figure 1
Hi-G-Seal schematic diagram



REV	DESCRIPTION	DATE	APPROVED

UNLESS OTHERWISE SPECIFIED DIMENSIONS ARE IN MM	SIGNATURES	DATE		18 HICKHURST ST COVINGTON, LA 70020 TEL: 504-833-3300 FAX: 504-833-3325
	DRAWN			
MATERIAL	CHECKED		TITLE:	
FINISH	APPROVE		ACTIVE SEAL 100 EVENTS	
			SIZE DWG NO	
			B	31U10010
			SCALE	
				SHEET 1 OF 1