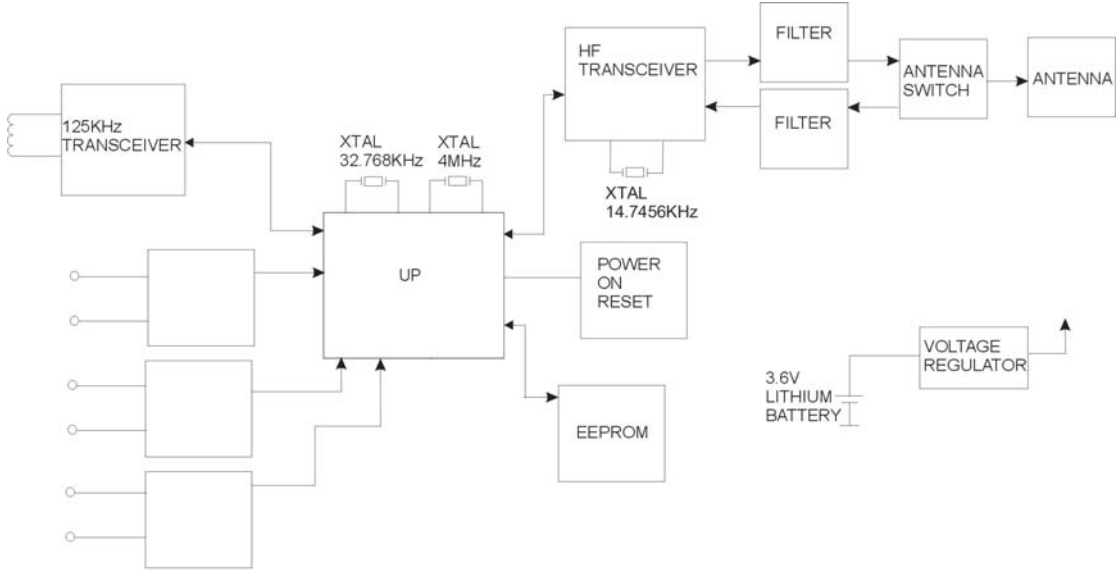


**Schematic Block/Connection Diagram**



**Figure 1. Block Diagram**