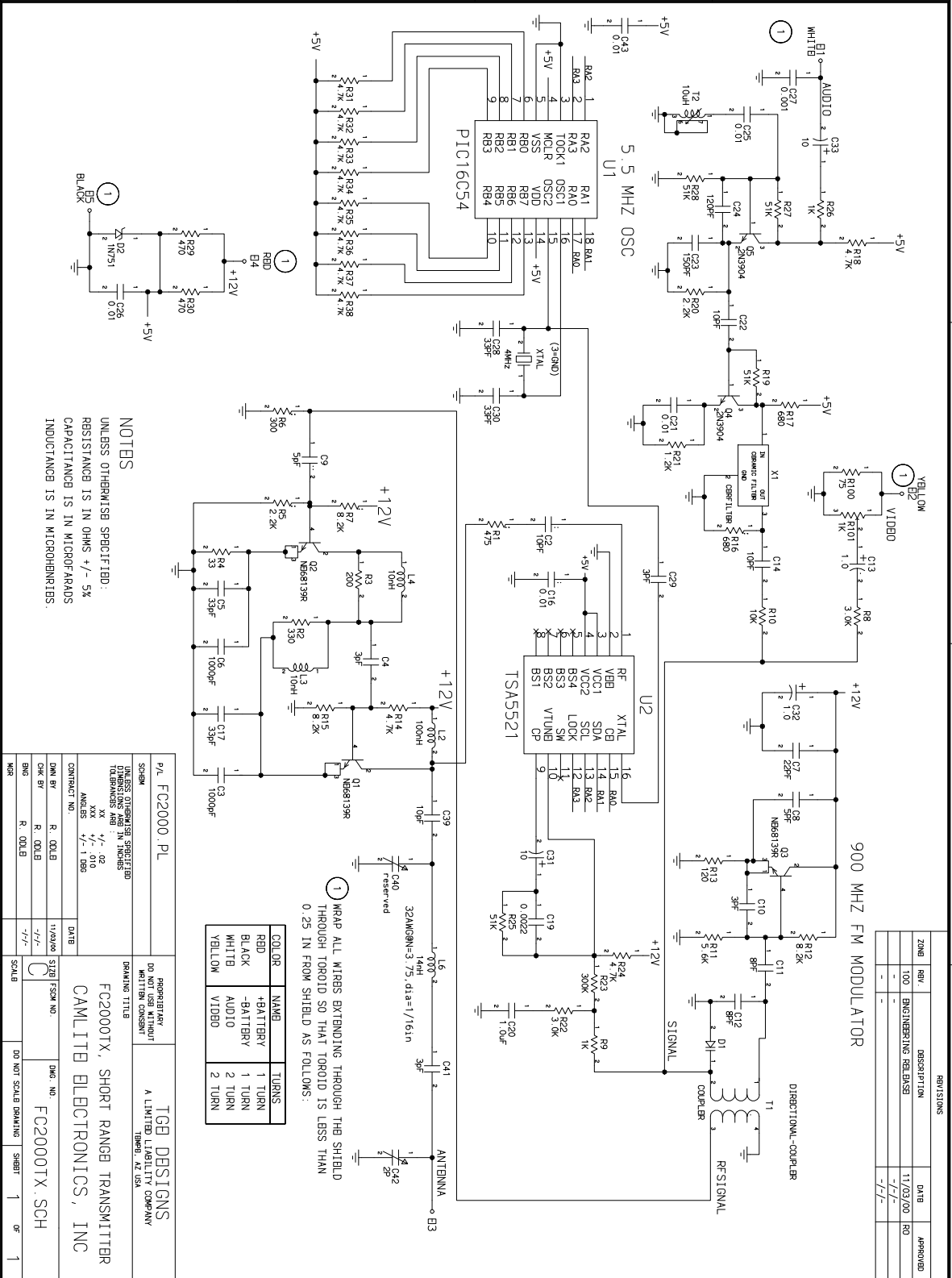


REVISIONS			
ZHNB	REV.	DESCRIPTION	DRAWN
100	1	ENGINEERING RELEASE	RO
-	-	-	-



NOTES
 UNLESS OTHERWISE SPECIFIED:
 RESISTANCE IS IN OHMS +/- 5%
 CAPACITANCE IS IN MICROFARADS
 INDUCTANCE IS IN MICROHENRIES.

COLOR	NAME	TURNS
RED	+BATTERY	1 TURN
BLACK	-BATTERY	1 TURN
WHITE	AUDIO	2 TURN
YELLOW	VIDEO	2 TURN

WRAP ALL WIRES EXTENDING THROUGH THE SHIELD THROUGH TOROID SO THAT TOROID IS LBSS THAN 0.25 IN FROM SHIELD AS FOLLOWS:

P/L	FC2000.PL	PROPRIETARY	TGE DESIGNS
SCHEM		NO REVISIONS	A LIMITED LIABILITY COMPANY
UNLESS OTHERWISE SPECIFIED DIMENSIONS ARE IN INCHES			
TOLERANCES ARE IN INCHES			
XXX	XX	+/- .02	
ANGLES	XX	+/- .010	
CONTRACT NO.		+/- .1000	
DWG BY	R. OGLEB	DRAWN	
CHK BY	R. OGLEB	SIZE	F3.5M NO.
ENG	R. OGLEB	SCALE	FC2000TX.SCH
MGR		DO NOT SCALE DRAWING	SHEET 1 OF 1