

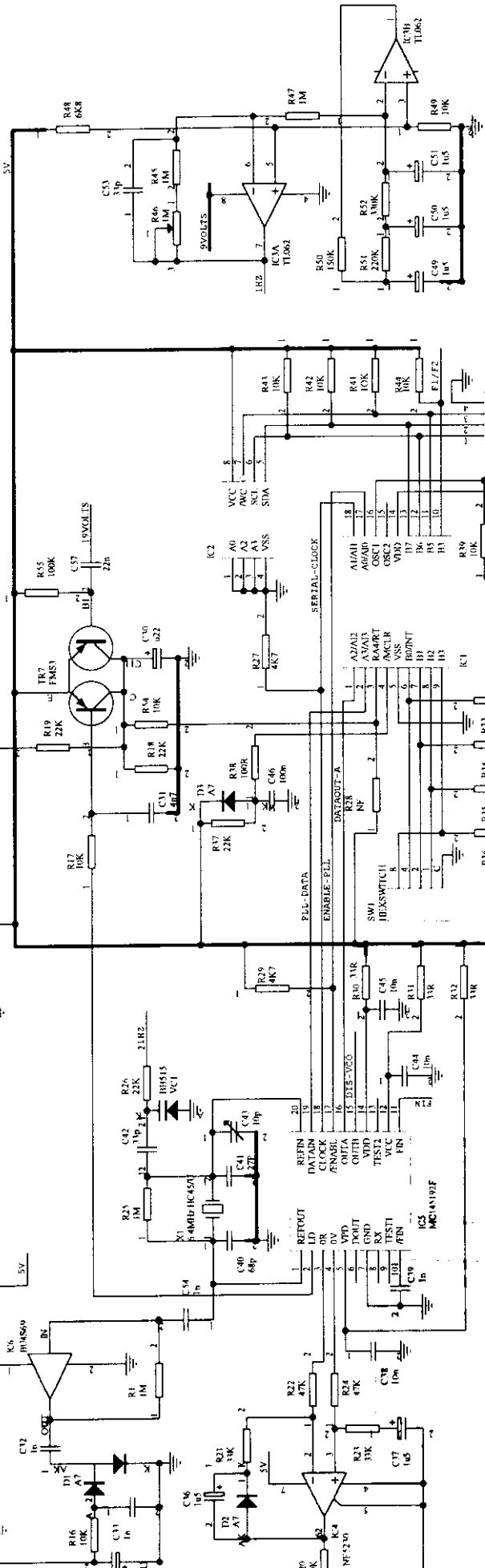
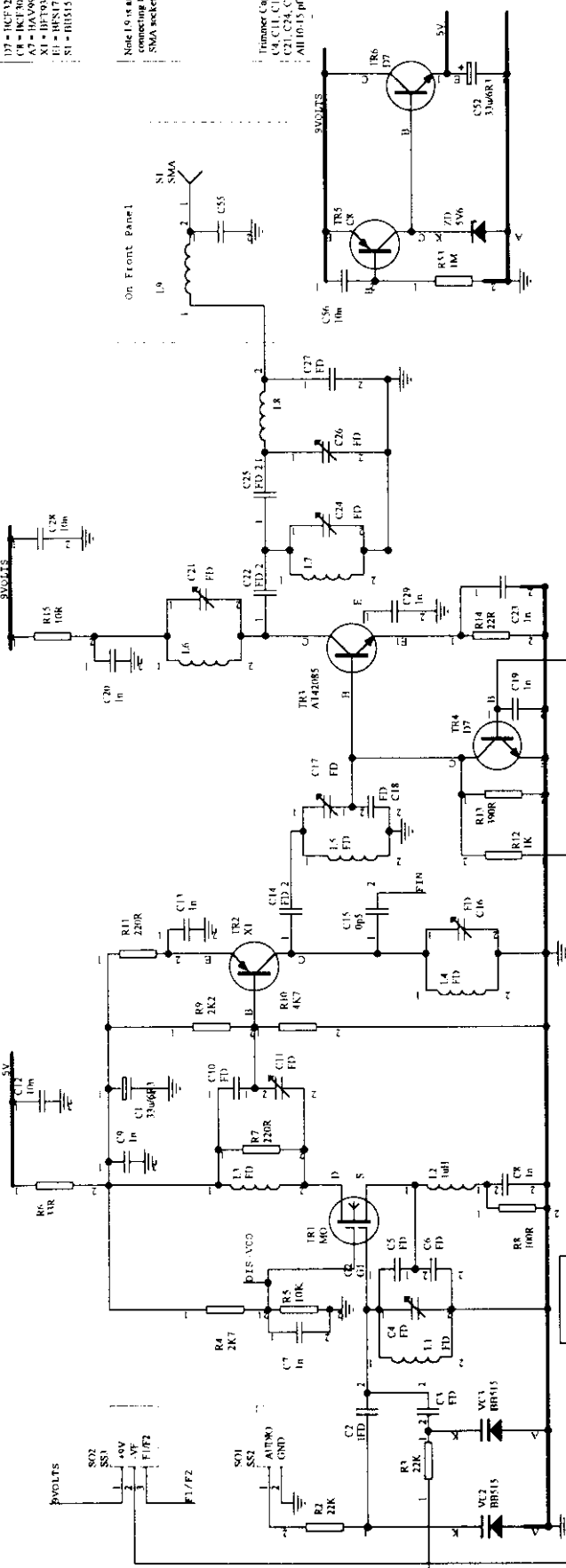
NRK TX 20 20

Surface Mount Designators
 17 = 1KCF12
 A3 = HA4989
 X1 = BF793
 E1 = BR517
 S1 = BR515

Note 1: Is an air spaced coil connecting the pcb with the SMA socket. C9 is on the SMA

Timing Capacitors
 C21, C24, C26, C28
 All 10-15 pf max.

On Front Panel

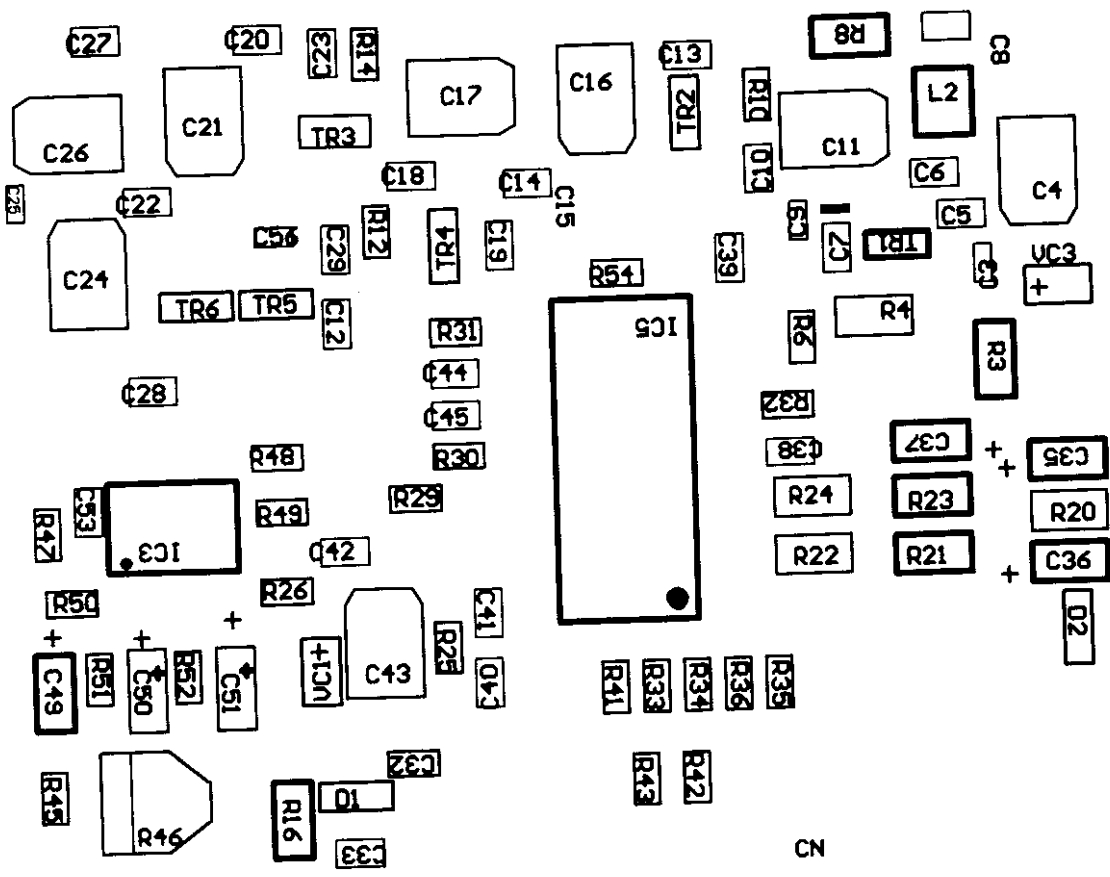


R.F. Section
PC 586 2
 Revision 2

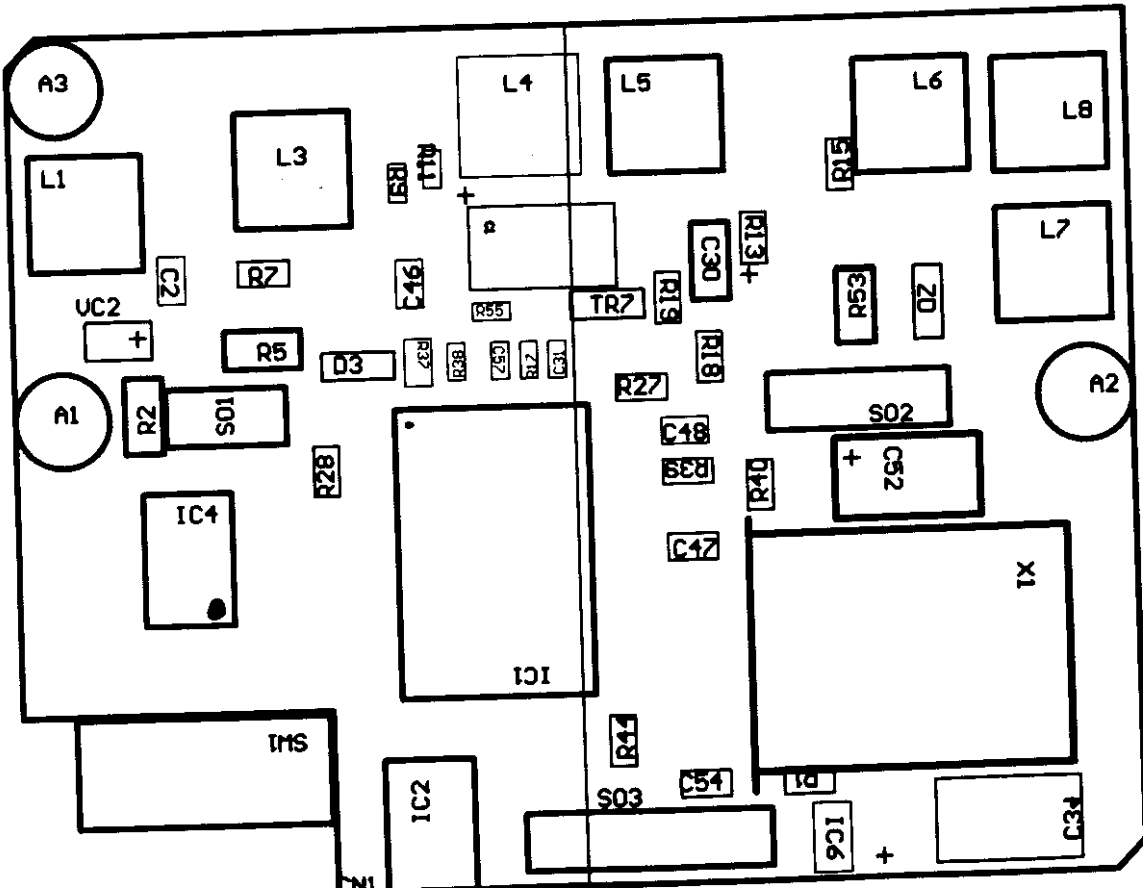
Title: R.F. Section
 Size: A3
 Date: 18-Sep-1997
 File: C:\ENGINEERING\586_2.SU1

Sheet of 1
 Drawn by 99b/abd

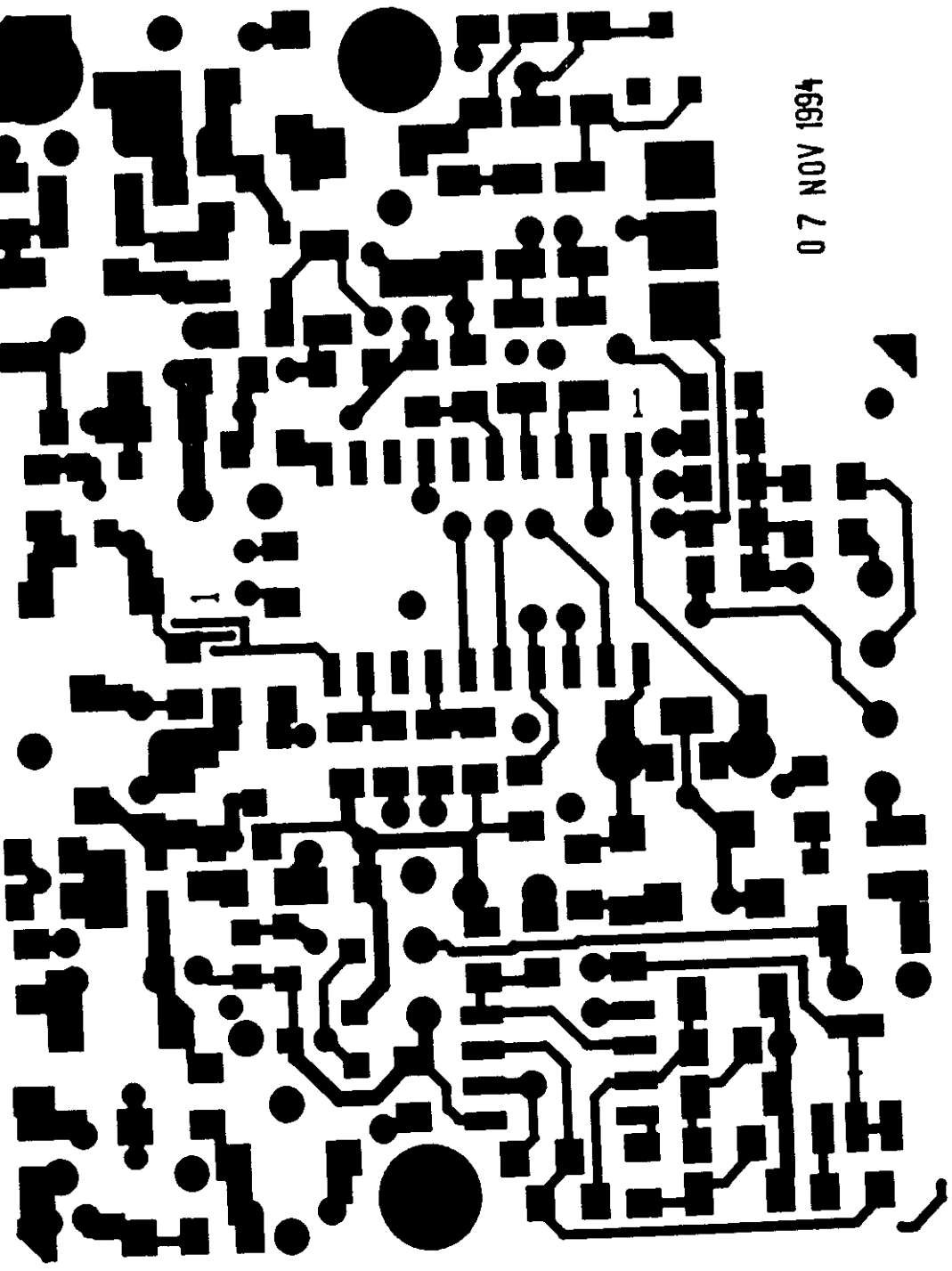
NRKTR2020



CN



NRK TX 2020

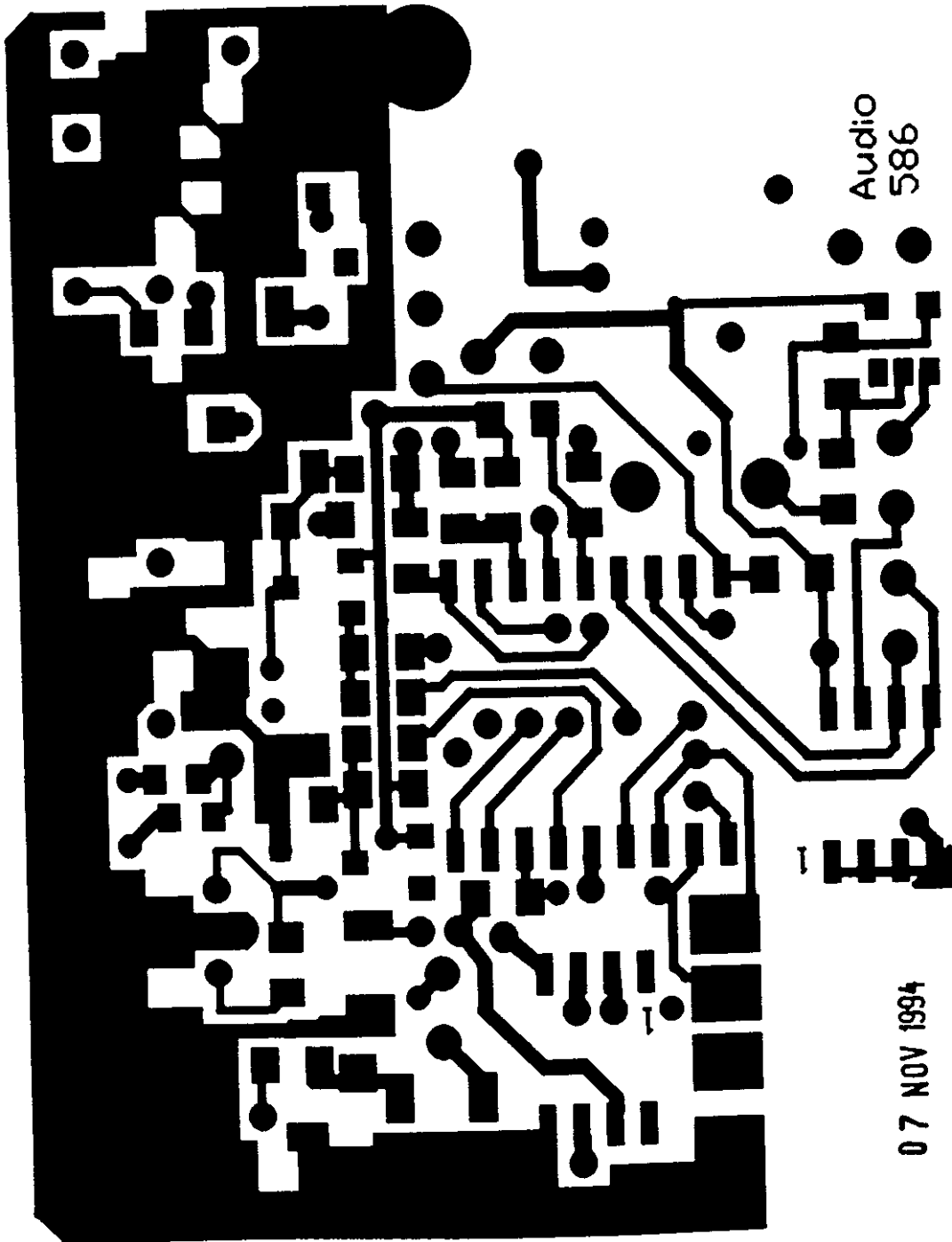


07 NOV 1994

586-1 BOTTOM LAYER 1 202

ASSEMBLY

NRK TX2020



Audio
586

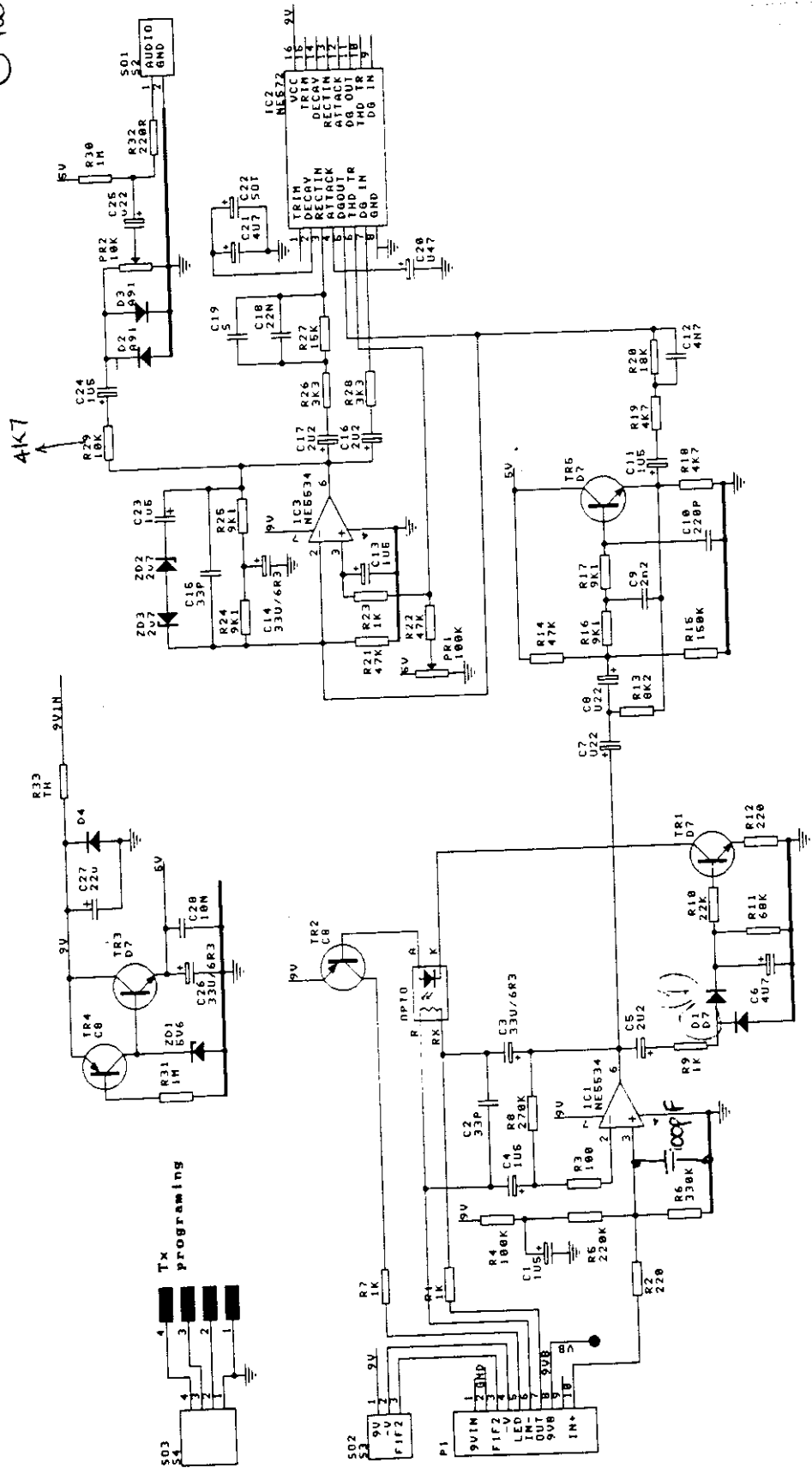
07 NOV 1994

586 1 TOP LAYER

- ① R29 10K → 4K7
- ② DEVIATION SGT FROM 45KH3 → 35KH2
- ③ 100PF ON ICI PINS ③④

03 APR 97
Lalitha

NRK 12920



- (1) Compars
- (2) ZD3? NF
- (3) ZD2? NF
- (4) C23? NF

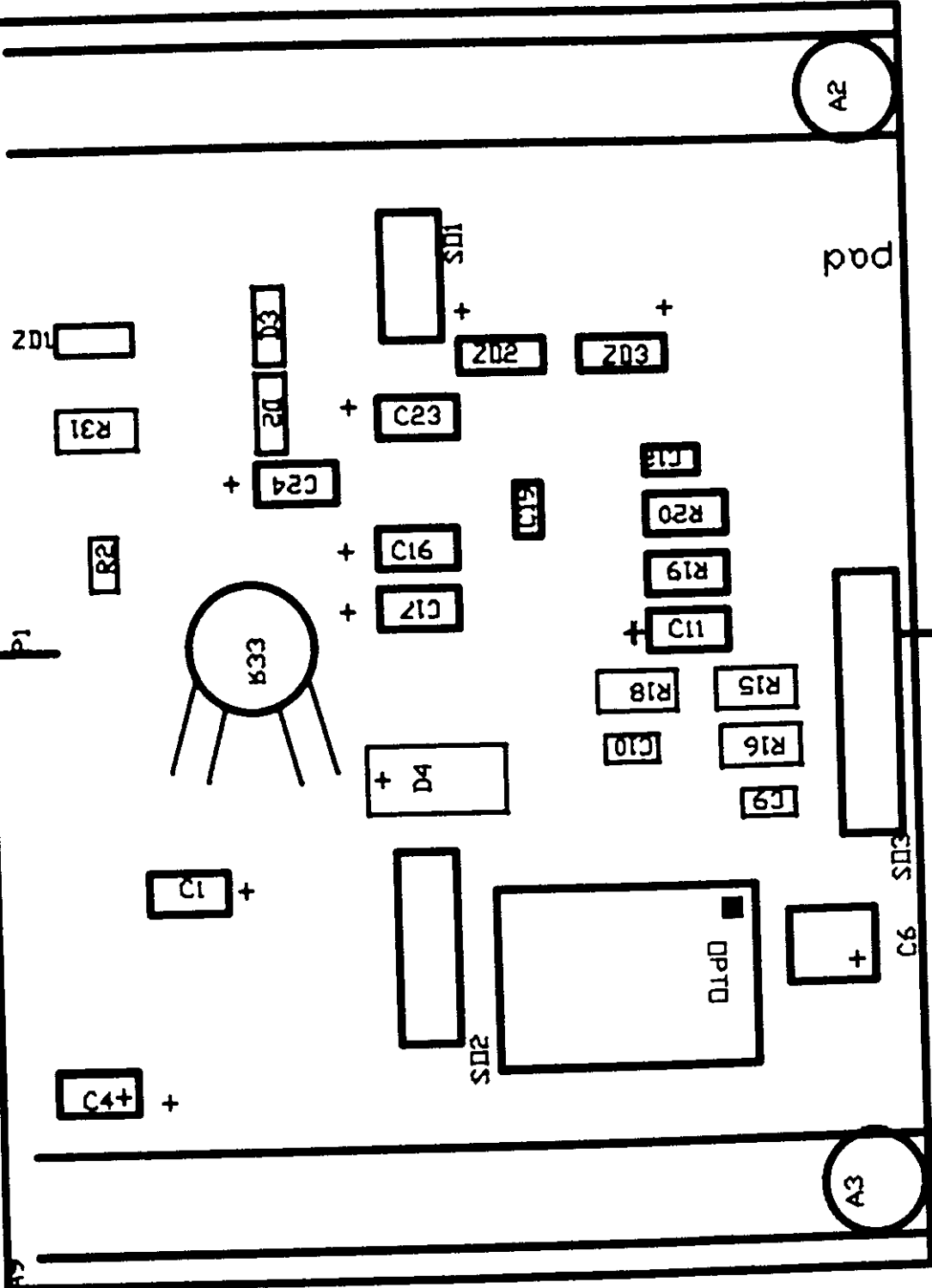
VITA Audio amp & Compander	
Size	Number PC 585
A3	Revision 1
DATE: 6-AUG-1991	Sheet 1 of 1
DRW: 68671	Drawn by: JPR

NRK TX 2020

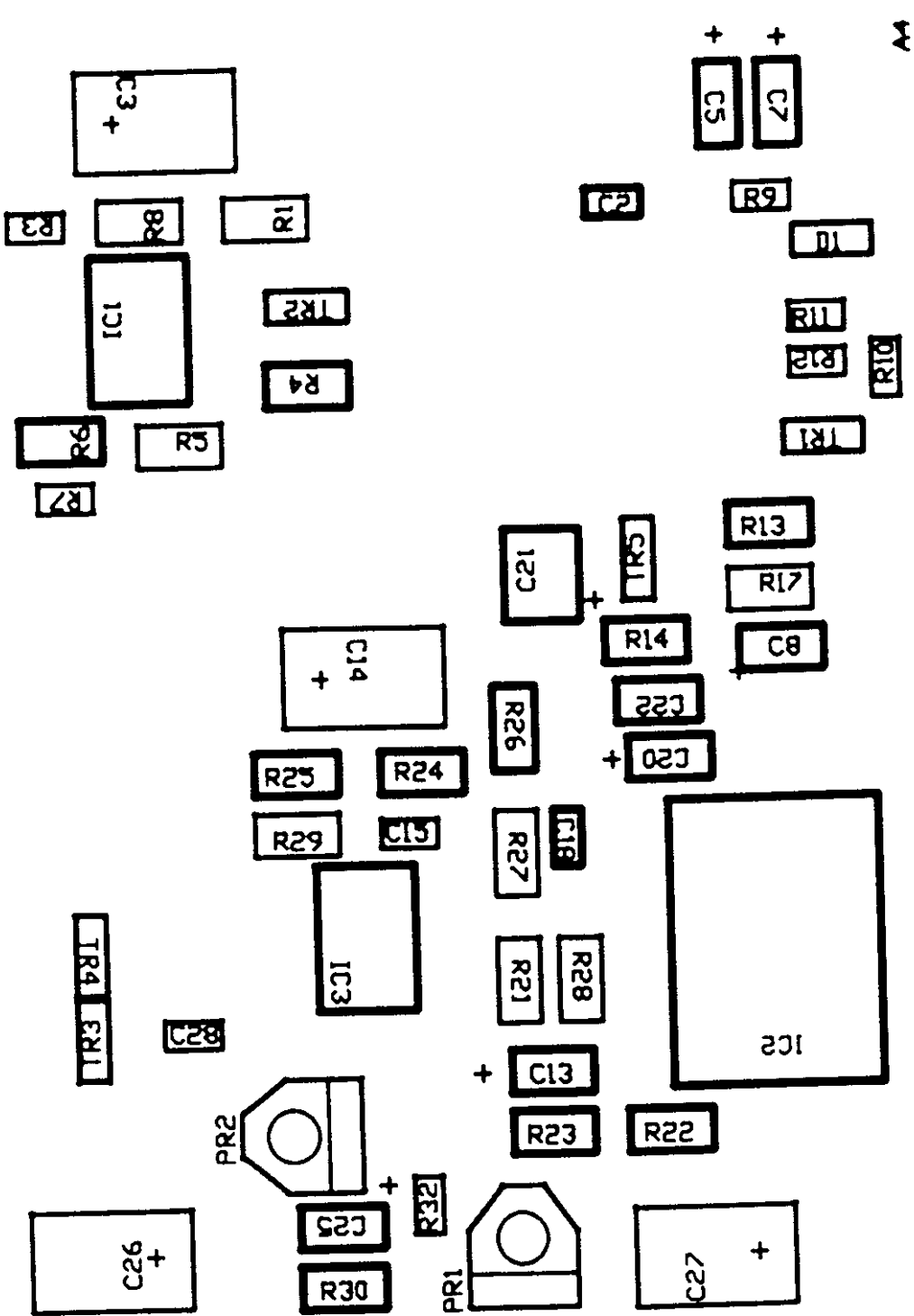
11/11/2011

585-1 Top Overlay

27/10/94
AW

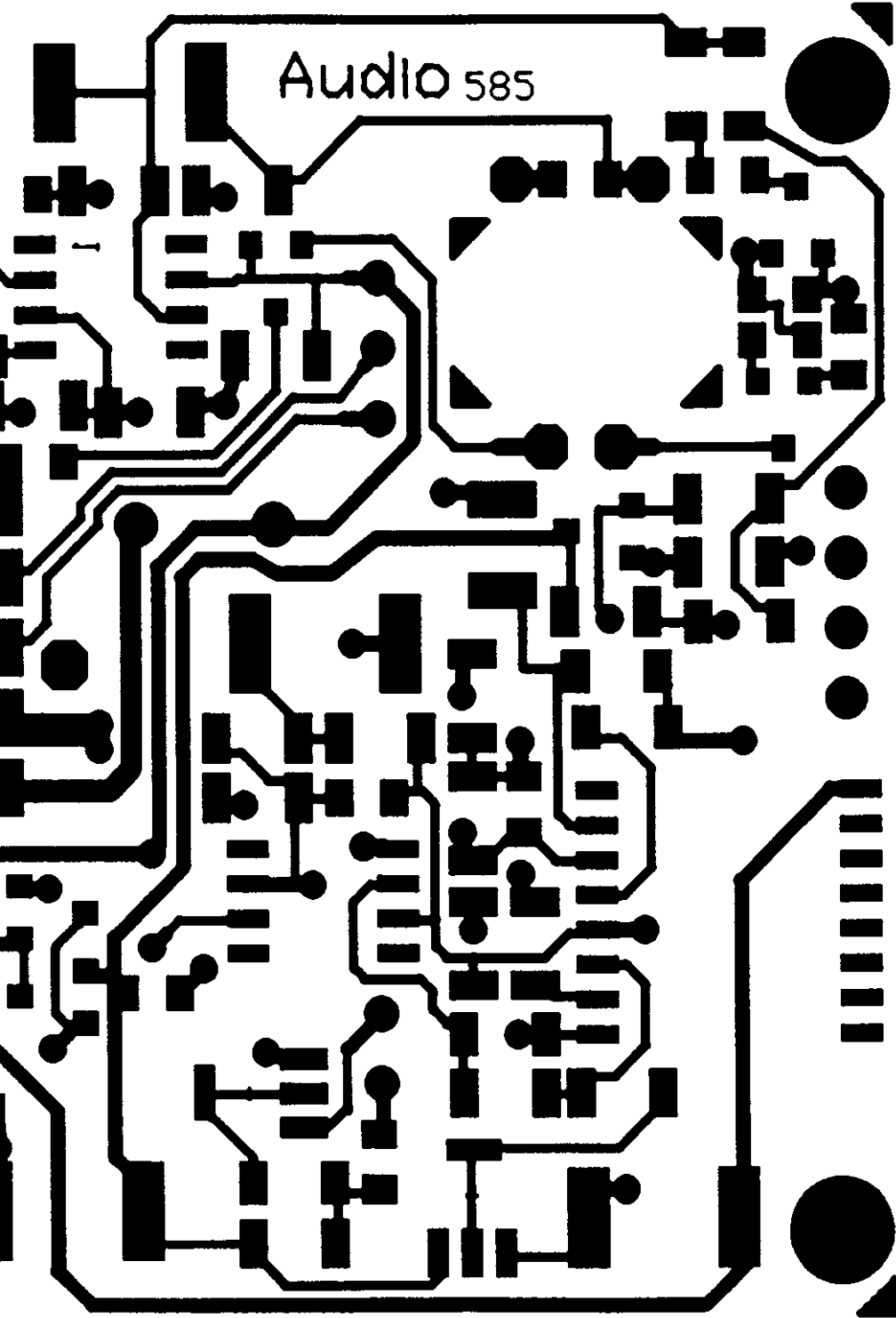


NRK TX 2φ2φ



585-1 BOTTOM OVERLAY
 27/10/94 *am*

NRK TX 2Ø2Ø



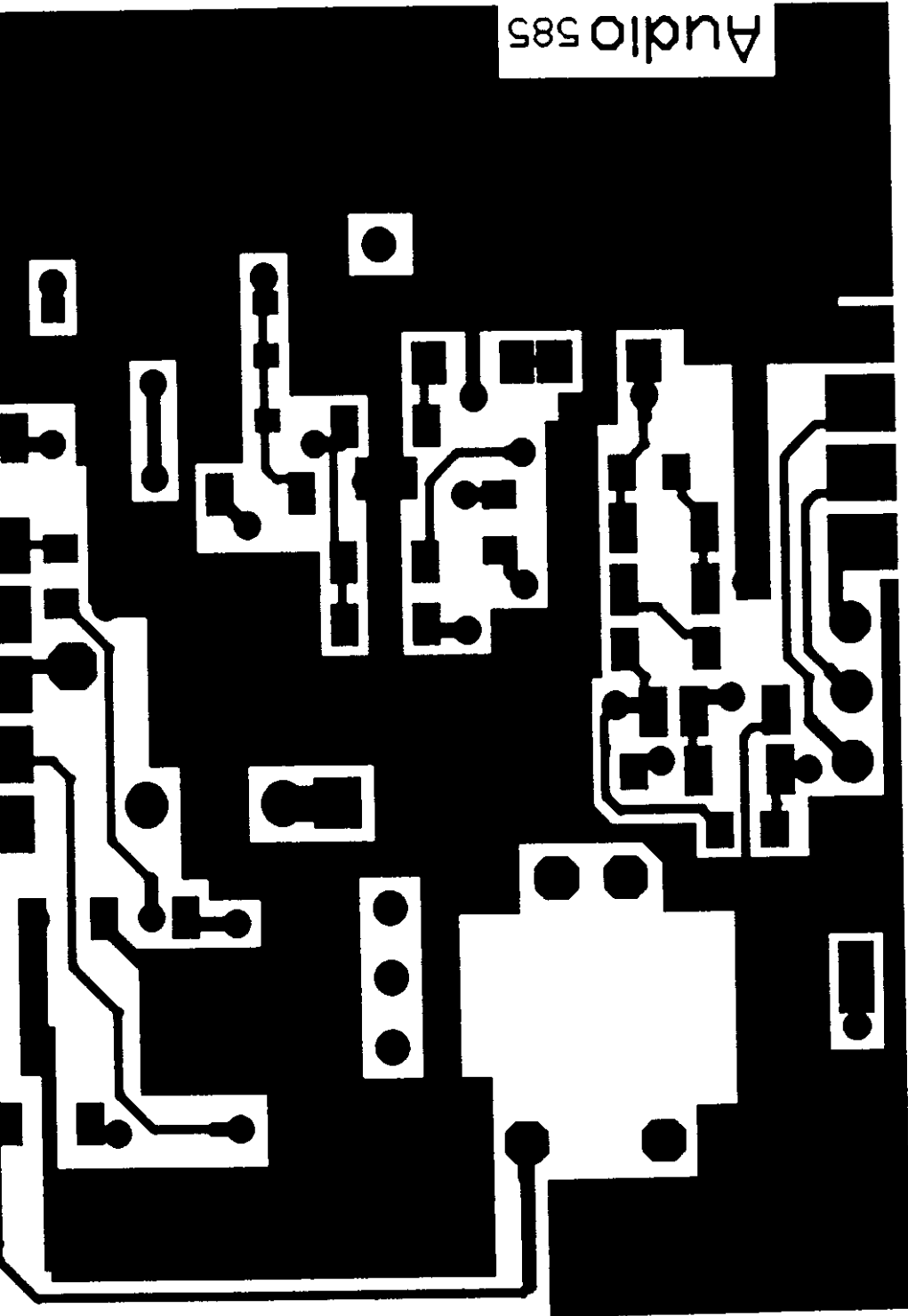
2002

1 2 3 4 5 6 7 8 9 10 11 12 13 14 15 16 17 18 19 20 21 22 23 24 25 26 27 28 29 30 31 32 33 34 35 36 37 38 39 40 41 42 43 44 45 46 47 48 49 50 51 52 53 54 55 56 57 58 59 60 61 62 63 64 65 66 67 68 69 70 71 72 73 74 75 76 77 78 79 80 81 82 83 84 85 86 87 88 89 90 91 92 93 94 95 96 97 98 99 100


585-1 BOTTOM LAYER

27/10/94 gm

NRK TX 2020

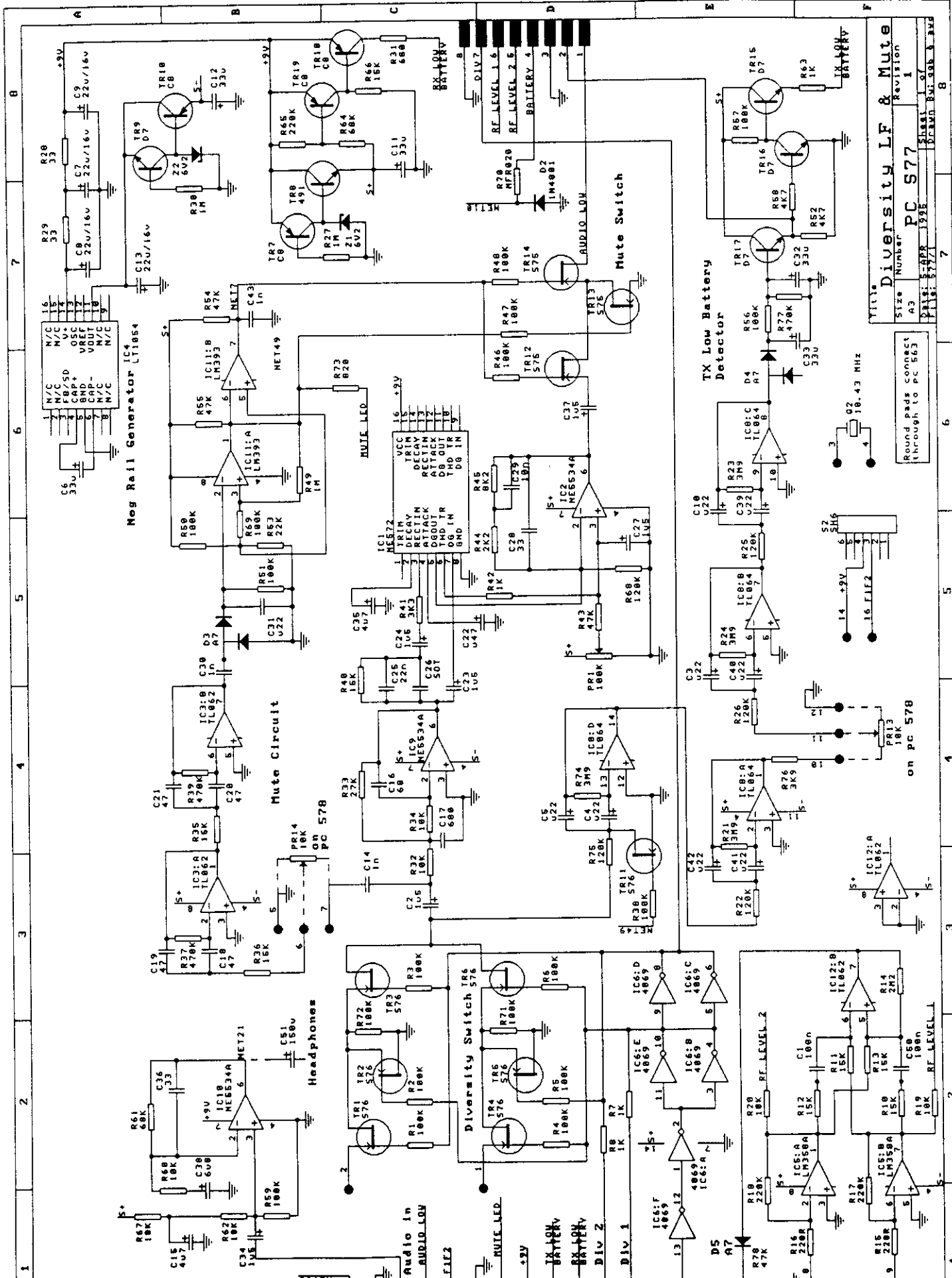


585_1 Top Layer

27/10/94 

AMERICAN

NRK DX 2020

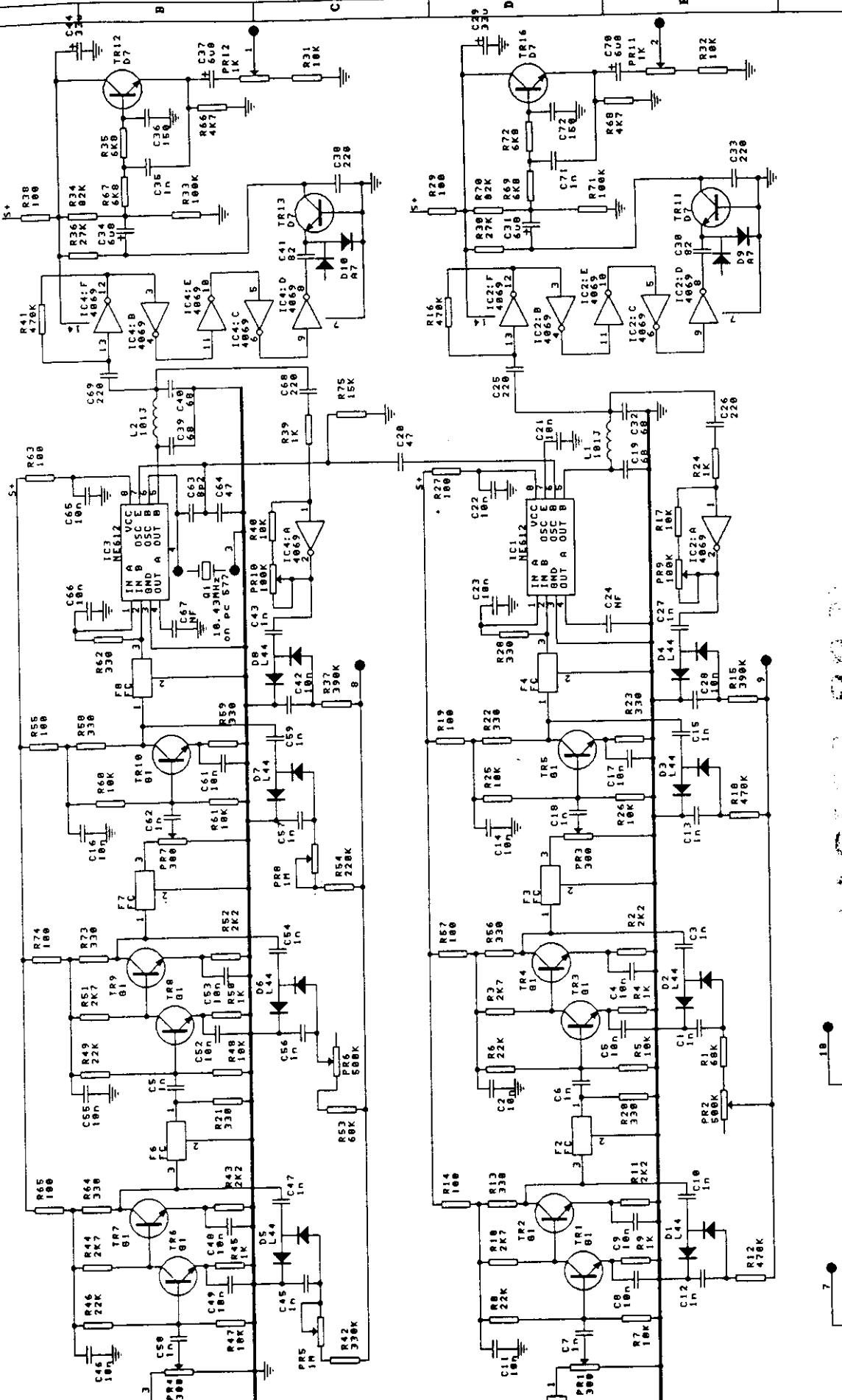


Title Diversity LF & Mute
Size A3
Revision 1
PC 577
 Date: 5-APR-1998
 Drawn By: gab 3. avd

Round pads connect
 through to PC 565

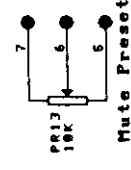
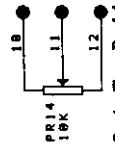
on PC 578

NRK DX 2020



Title		DX2000 IF	
Size	Number	Revision	
A3	578	1	
Drawn	Checked	By	By
578	335	SRB	SRB/AMD

Round pads connect through to PC 602



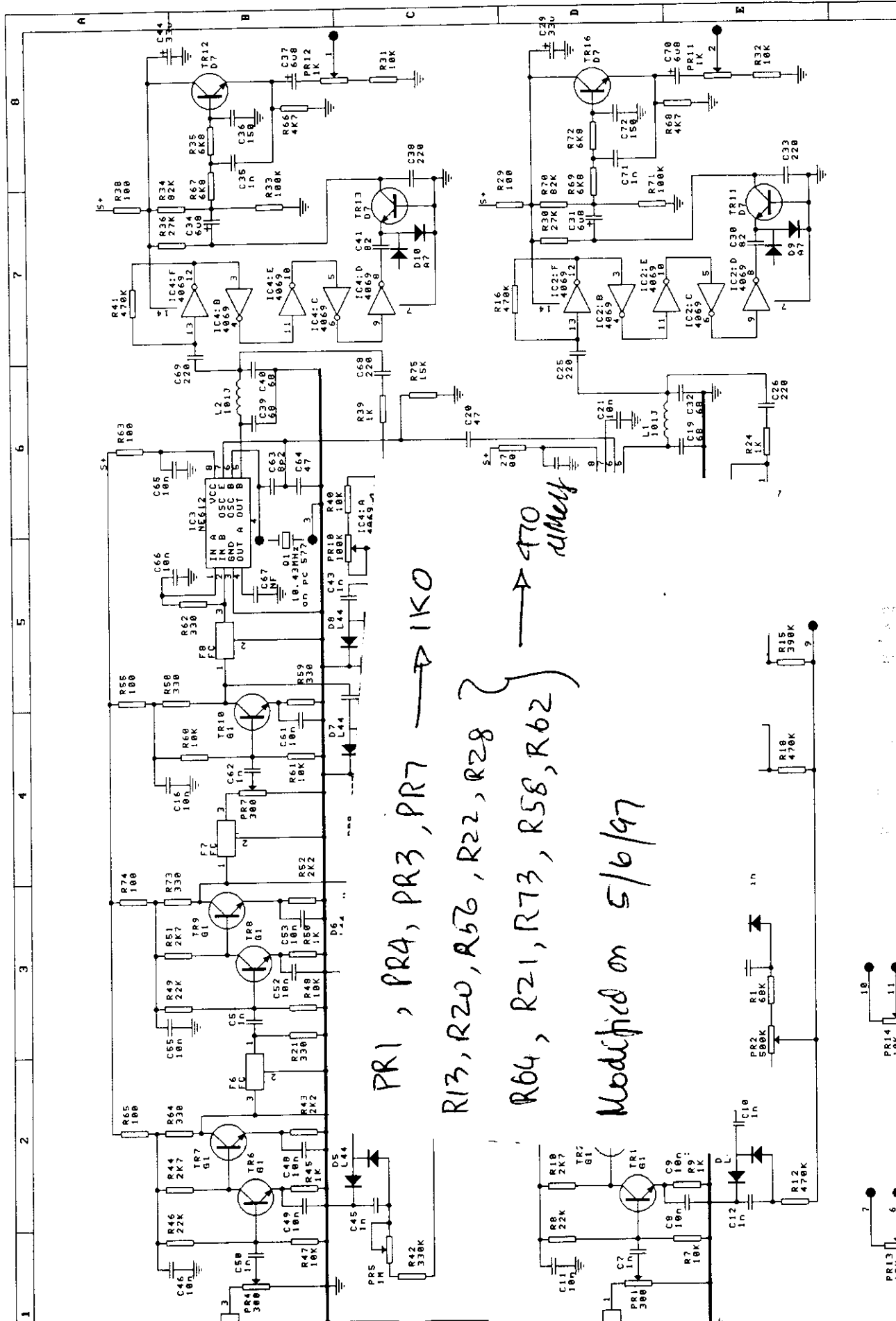
Set Tx Battery Ind.

Mute Preset

ASSEMBLY

1 2 3 4 5 6 7 8

NRK DX 2020



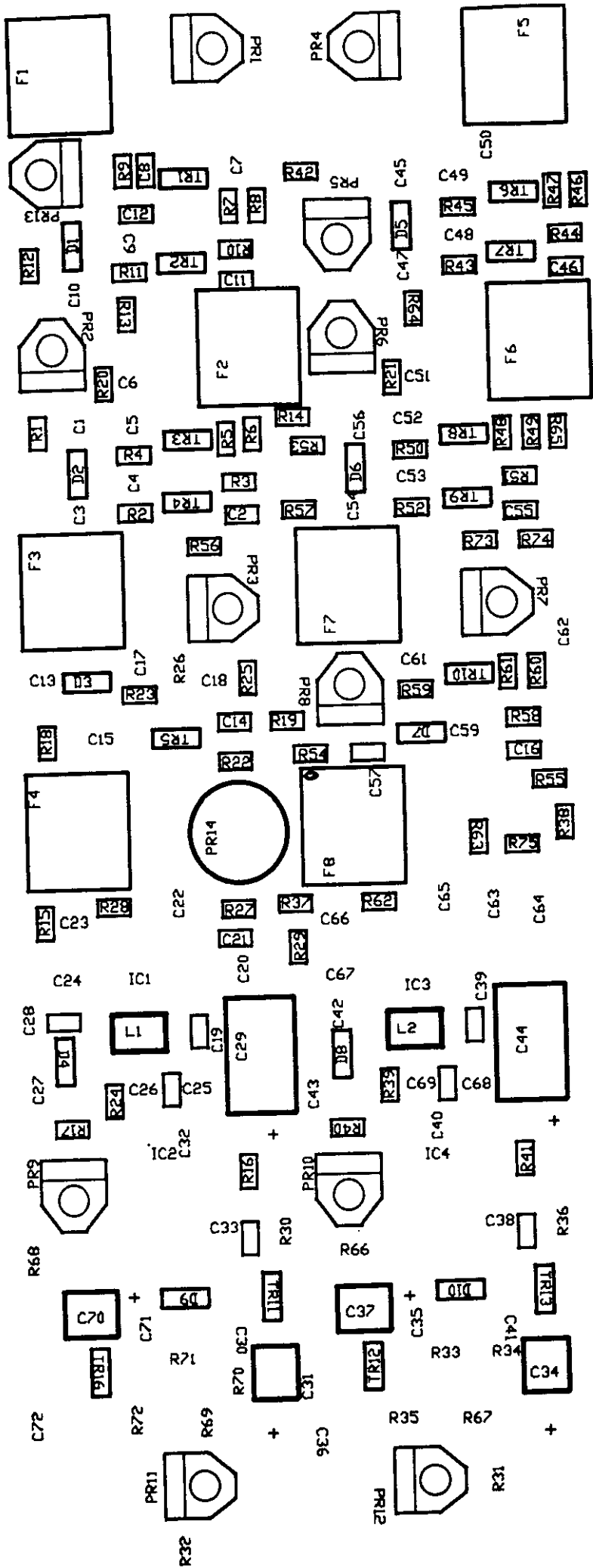
PR1, PR4, PR3, PR7 → 1K0
 R13, R20, R56, R22, R28 } → 470
 R64, R21, R73, R58, R62 } *UNMET*
 Modified on 5/6/97

Title		DX2000 IF	
Size	Number	Revision	
A3	578	1	
Drawn	By	Checked	By
5/6/97	1995		

Round pads connect through to PC 562



NRK DX
2020

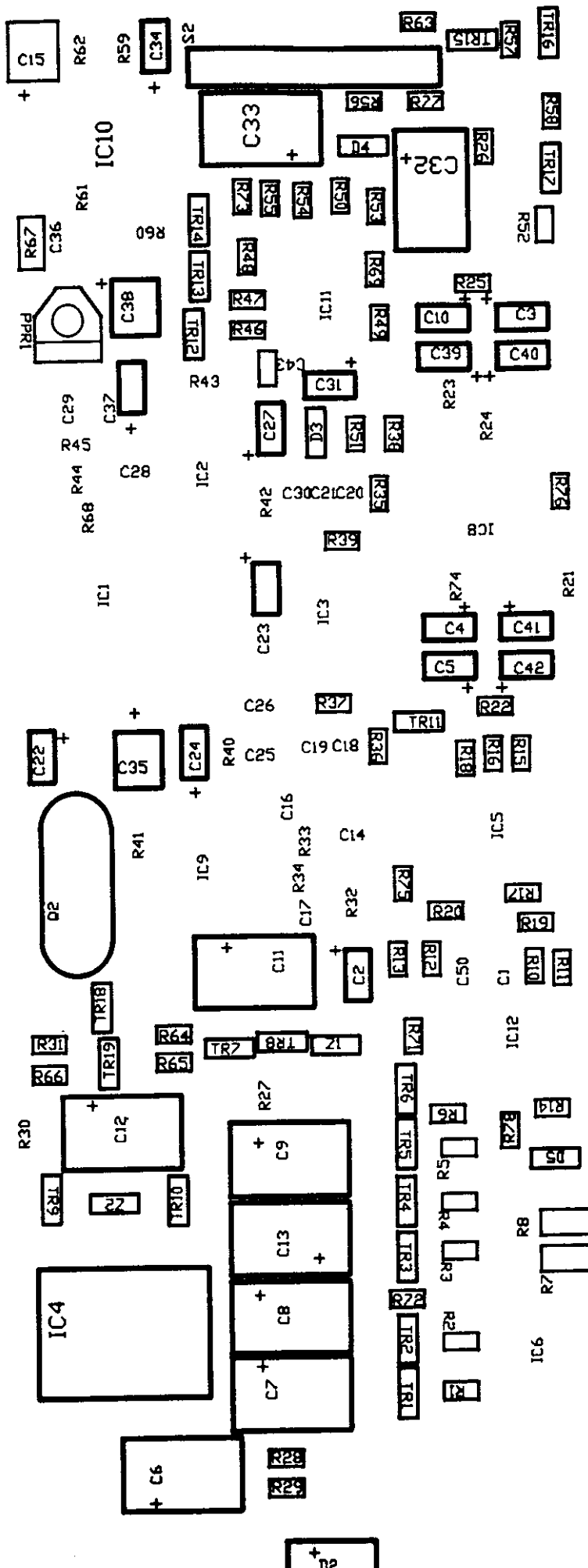


8 Bottom Layer

PCB 578

AW

NRK DX 2020

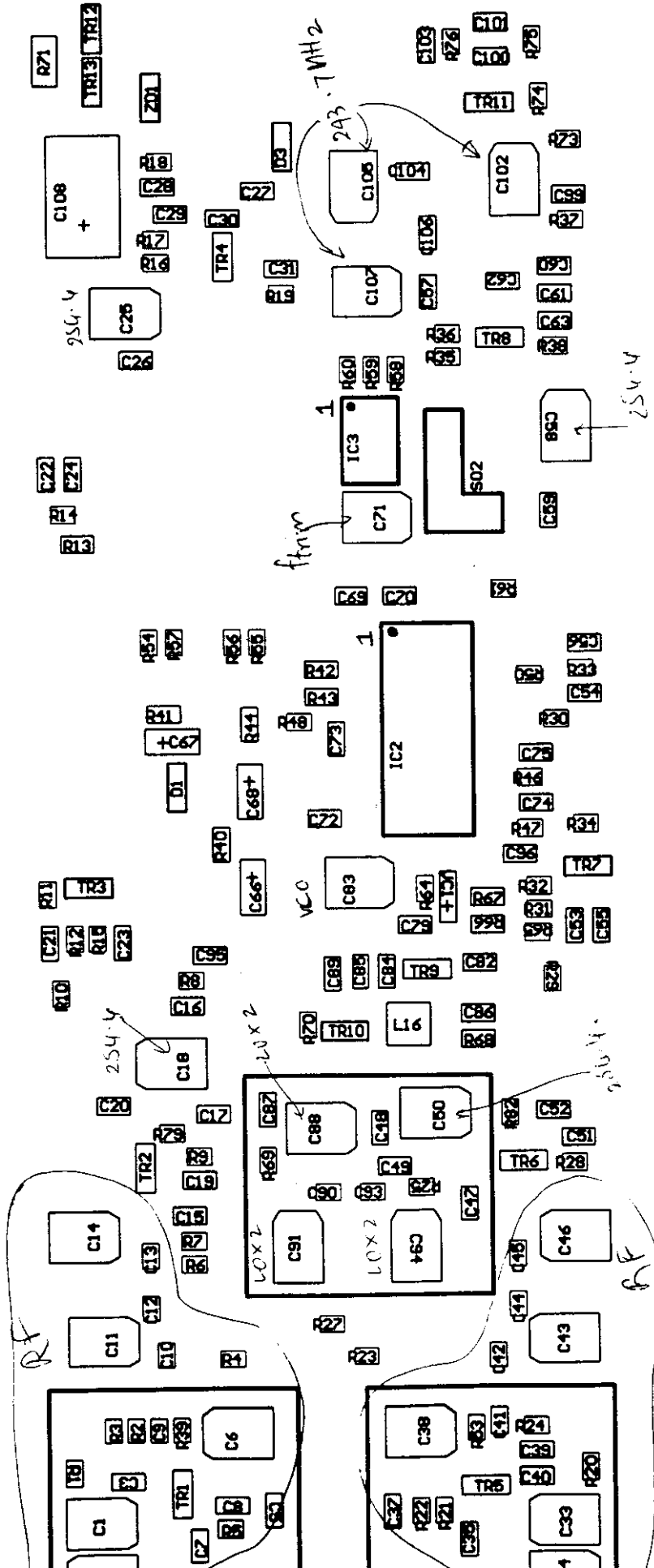


Bottom

PCB 577

10/12/92

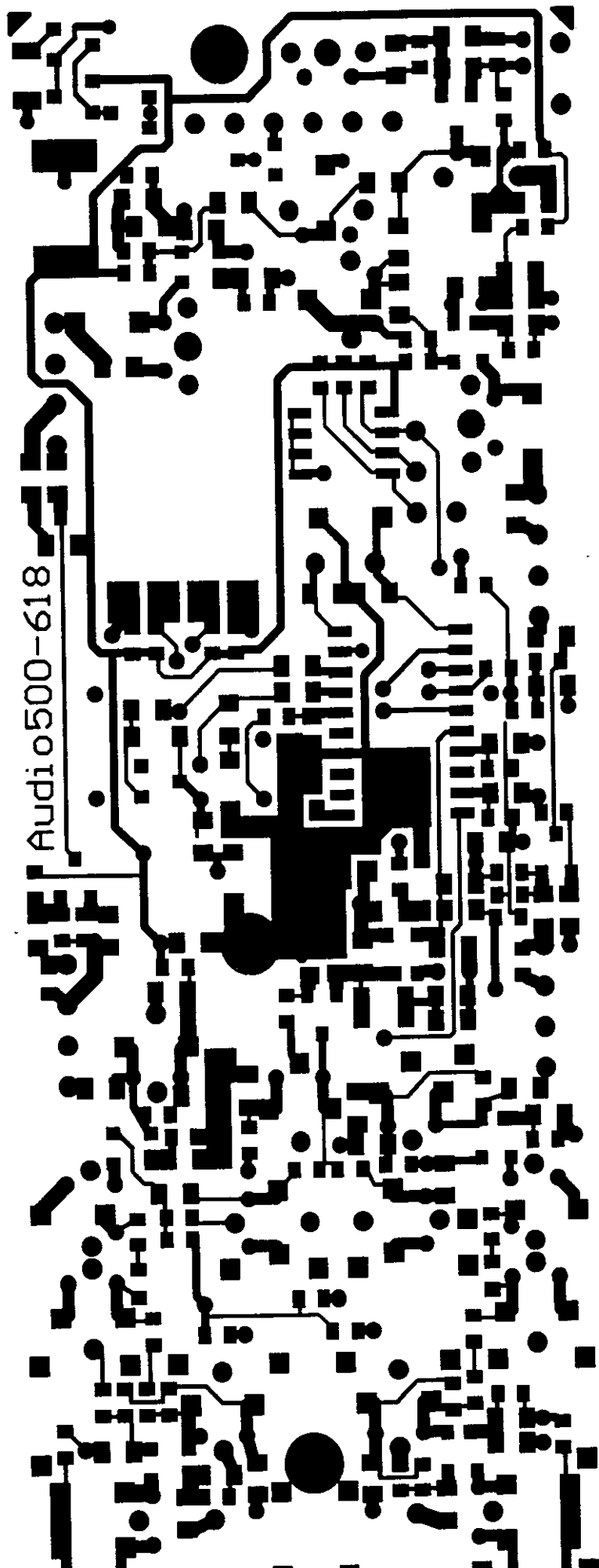
NRK DX2020



MASTER COPY

17 MAY 1995

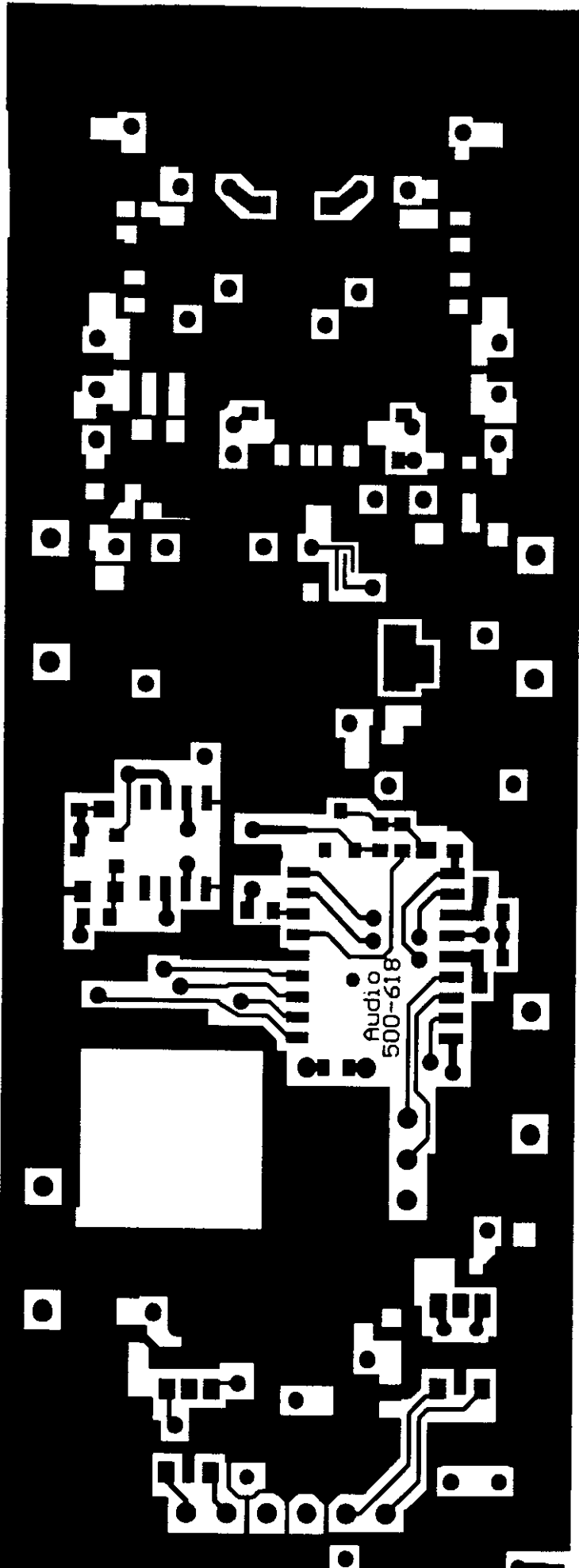
NRK DX 2020



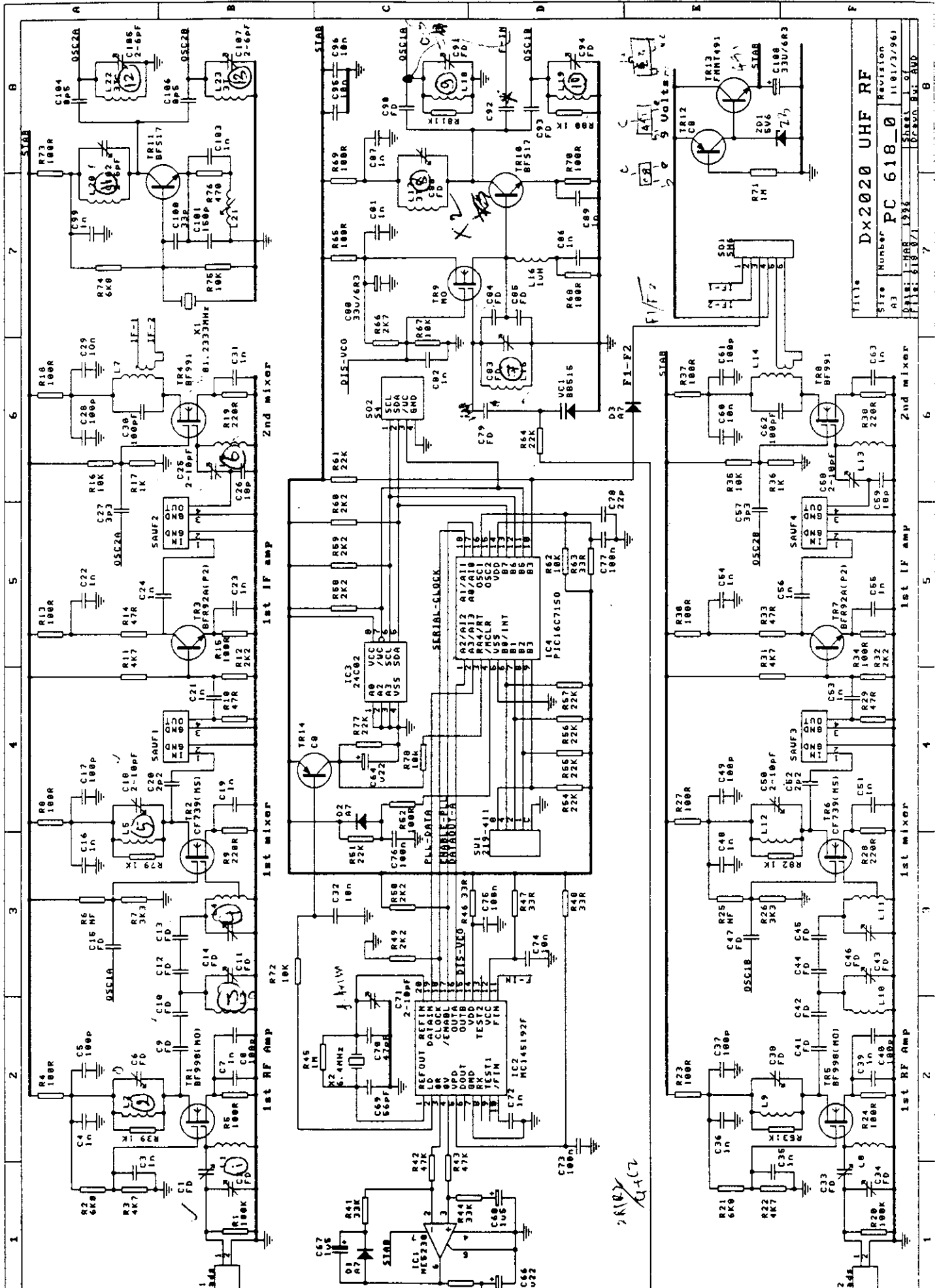
Audio 500-618

NRK DX 2020

2020

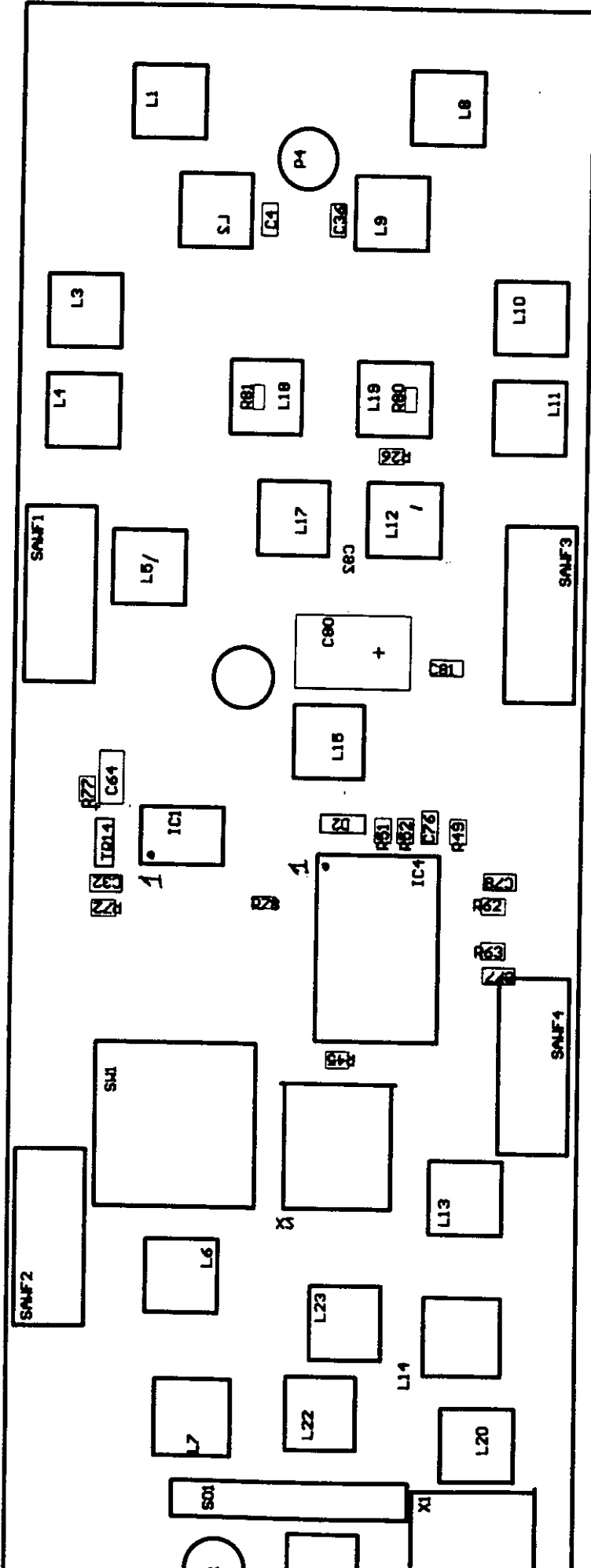


NRK DX 2020



TITLE	DX2020 UHF RF
SIZE	Number PC 618-0
REVISION	11/01/3/961
DATE	11/01/3/961
DESIGNER	STARR
APP'D	STARR

NRK DX 2020



17 MAY 1995