



## FCC TEST REPORT

### 47 CFR FCC Part 15 Subpart C 15.249

<b>Report Reference No</b> .....	<b>TRE13010034 R/C:88666</b>
<b>FCC ID</b> .....	<b>N9STY-T6</b>
Compiled by ( position+printed name+signature)...	File administrators Eric Zhang <i>Eric Zhang</i>
Supervised by ( position+printed name+signature)...	Test Engineer Tim Zhang <i>Tim Zhang</i>
Approved by ( position+printed name+signature)...	Manager Wenliang Li <i>Wenliang Li</i>
Date of issue.....	Mar 15, 2013
<b>Testing Laboratory Name</b> .....	<b>Shenzhen Huatongwei International Inspection Co., Ltd</b>
Address.....	Keji Nan No.12 Road, Hi-tech Park, Shenzhen, China
<b>Applicant's name</b> .....	<b>TOYO ELECTRIC MFG. Co., LTD</b>
Address.....	9TH,FL 30 SEC 3 RENAI RD DAAN DISTRICT, TAIPEI 106 TAIWAN
<b>Manufacturer's name</b> .....	<b>T&amp;Y ELECTRIC(SHENZHEN)Co., LTD</b>
Address.....	ANLIANG INDUSTRIAL ZONE, HENGGANG, LONGGANG DISTRICT,GD,CHINA
<b>Test specification:</b>	
<b>Standard</b> .....	<b>47 CFR FCC Part 15 Subpart C &amp; 15.249</b> <b>ANSI C63.10: 2009</b>
TRF Originator.....	Shenzhen Huatongwei International Inspection CO., Ltd
Master TRF.....	Dated 2006-06
<b>Shenzhen Huatongwei International Inspection Co., Ltd. All rights reserved.</b> This publication may be reproduced in whole or in part for non-commercial purposes as long as the Shenzhen Huatongwei International Inspection Co., Ltd is acknowledged as copyright owner and source of the material. Shenzhen Huatongwei International Inspection Co., Ltd takes no responsibility for and will not assume liability for damages resulting from the reader's interpretation of the reproduced material due to its placement and context.	
<b>Equipment Under Test</b> .....	<b>MAIN CONTROLLER</b>
Trade Mark .....	/
Model/Type reference.....	TY-T6
Listed Models .....	/
Modulation .....	GFSK
Result.....	Complied

# TEST REPORT

<b>Test Report No. :</b>	<b>TRE13010034</b>	Mar 15, 2013
		Date of issue

Equipment under Test : MAIN CONTROLLER

Model /Type : TY-T6

Listed Models : /

**Applicant** : **TOYO ELECTRIC MFG. Co., LTD**

Address : 9TH,FL 30 SEC 3 RENAI RD DAAN DISTRICT, TAIPEI  
106 TAIWAN

**Manufacturer** : **T&Y ELECTRIC(SHENZHEN)Co., LTD**

Address : ANLIANG INDUSTRIAL ZONE, HENGGANG,  
LONGGANG DISTRICT,GD,CHINA

<b>Test Result</b> according to the standards on page 4:	<b>Positive</b>
--	-----------------

The test report merely corresponds to the test sample.  
It is not permitted to copy extracts of these test result without the written permission of the test laboratory.

## Contents

<b>1.</b>	<b><u>TEST STANDARDS .....</u></b>	<b><u>4</u></b>
<b>2.</b>	<b><u>SUMMARY .....</u></b>	<b><u>5</u></b>
2.1.	General Remarks	5
2.2.	Equipment Under Test	5
2.3.	Short description of the Equipment under Test (EUT)	5
2.4.	EUT operation mode	5
2.5.	Related Submittal(s) / Grant (s)	5
2.6.	Modifications	5
<b>3.</b>	<b><u>TEST ENVIRONMENT .....</u></b>	<b><u>6</u></b>
3.1.	Address of the test laboratory	6
3.2.	Test Facility	6
3.3.	Statement of the measurement uncertainty	7
3.4.	Summary of standards and result	7
3.5.	Environmental conditions	7
3.6.	Equipments Used during the Test	8
<b>4.</b>	<b><u>TEST CONDITIONS AND RESULTS .....</u></b>	<b><u>9</u></b>
4.1.	ANTENNA REQUIREMENT	9
4.2.	Conducted Emissions Test	10
4.3.	Radiated Emission Test	13
4.4.	Out of band emissions	18
4.5.	20dB Bandwidth Measurement	19
<b>5.</b>	<b><u>TEST SETUP PHOTOS OF THE EUT .....</u></b>	<b><u>20</u></b>
<b>6.</b>	<b><u>EXTERNAL AND INTERNAL PHOTOS OF THE EUT .....</u></b>	<b><u>22</u></b>

## **1. TEST STANDARDS**

The tests were performed according to following standards:

**47 CFR FCC Rules Part 15.249:** Frequency Hopping, Direct Spread Spectrum and Hybrid Systems that are in operation within the bands of 902-928 MHz, 2400-2483.5 MHz, 5725-5850 MHz and 24.0 - 24.25 GHz.

**ANSI C63.10: 2009** – American National Standard for Testing Unlicensed Wireless Devices

## 2. SUMMARY

### 2.1. General Remarks

Date of receipt of test sample	:	Jan 08, 2013
Testing commenced on	:	Jan 10, 2013
Testing concluded on	:	Mar 15, 2013

### 2.2. Equipment Under Test

#### Power supply system utilised

Power supply voltage	:	<input checked="" type="radio"/> 120V / 60 Hz	<input type="radio"/> 115V / 60Hz
		<input type="radio"/> 12 V DC	<input type="radio"/> 24 V DC
		<input type="radio"/> Other (specified in blank below)	

AC 120V/60Hz

### 2.3. Short description of the Equipment under Test (EUT)

2422MHz MAIN CONTROLLER (M/N: TY-T6)

For more details, refer to the user's manual of the EUT.

Serial number: Prototype

### 2.4. EUT operation mode

The EUT has been tested under typical operating condition.

### 2.5. Related Submittal(s) / Grant (s)

This submittal(s) (test report) is intended for FCC ID: **N9STY-T6** filing to comply with Section 15.249 of the FCC Part 15, Subpart C Rules.

### 2.6. Modifications

No modifications were implemented to meet testing criteria.

### **3. TEST ENVIRONMENT**

#### **3.1. Address of the test laboratory**

Shenzhen Huatongwei International Inspection Co., Ltd  
Keji Nan No.12 Road, Hi-tech Park, Shenzhen, China  
Phone: 86-755-26715686 Fax: 86-755-26748089

The sites are constructed in conformance with the requirements of ANSI C63.7, ANSI C63.4 (2009) and CISPR Publication 22.

#### **3.2. Test Facility**

The test facility is recognized, certified, or accredited by the following organizations:

##### **CNAS-Lab Code: L1225**

Shenzhen Huatongwei International Inspection Co., Ltd. has been assessed and proved to be in compliance with CNAS-CL01 Accreditation Criteria for Testing and Calibration Laboratories (identical to ISO/IEC 17025: 2005 General Requirements) for the Competence of Testing and Calibration Laboratories, Date of Registration: Mar. 01, 2012. Valid time is until Feb 28, 2015.

##### **A2LA-Lab Cert. No. 2243.01**

Shenzhen Huatongwei International Inspection Co., Ltd. EMC Laboratory has been accredited by A2LA for technical competence in the field of electrical testing, and proved to be in compliance with ISO/IEC 17025: 2005 General Requirements for the Competence of Testing and Calibration Laboratories and any additional program requirements in the identified field of testing. Valid time is until Sept. 30, 2013.

##### **FCC-Registration No.: 662850**

Shenzhen Huatongwei International Inspection Co., Ltd. EMC Laboratory has been registered and fully described in a report filed with the FCC (Federal Communications Commission). The acceptance letter from the FCC is maintained in our files. Registration 662850, Renewal date Jun. 01, 2012, valid time is until Jun. 01, 2015.

##### **IC-Registration No.: 5377A**

The 3m Alternate Test Site of Shenzhen Huatongwei International Inspection Co., Ltd. has been registered by Certification and Engineering Bureau of Industry Canada for the performance of radiated measurements with Registration No. 5377A on Jan. 25, 2011, valid time is until Jan. 24, 2014.

##### **ACA**

Shenzhen Huatongwei International Inspection Co., Ltd. EMC Laboratory can also perform testing for the Australian C-Tick mark as a result of our A2LA accreditation.

##### **NEMKO-Aut. No.: ELA125**

Shenzhen Huatongwei International Inspection Co., Ltd has been assessed the quality assurance system, the testing facilities, qualifications and testing practices of the relevant parts of the organization. The quality assurance system of the Laboratory has been validated against ISO/IEC 17025 or equivalent. The laboratory also fulfils the conditions described in Nemko Document NLA-10, the authorization is valid through July 07, 2013

##### **VCCI**

The 3m Semi-anechoic chamber (12.2m×7.95m×6.7m) and Shielded Room (8m×4m×3m) of Shenzhen Huatongwei International Inspection Co., Ltd. has been registered in accordance with the Regulations for Voluntary Control Measures with Registration No.: G-292. Date of Registration: Dec. 24, 2010. Valid time is until Dec. 23, 2013.

Main Ports Conducted Interference Measurement of Shenzhen Huatongwei International Inspection Co., Ltd. has been registered in accordance with the Regulations for Voluntary Control Measures with Registration No.: C-2726. Date of Registration: Dec. 20, 2012. Valid time is until Dec. 19, 2015.

Telecommunication Ports Conducted Interference Measurement of Shenzhen Huatongwei International Inspection Co., Ltd. has been registered in accordance with the Regulations for Voluntary Control Measures with Registration No.: T-1837. Date of Registration: May 07, 2010. Valid time is until May 06, 2013.

## DNV

Shenzhen Huatongwei International Inspection Co., Ltd. has been found to comply with the requirements of DNV towards subcontractor of EMC and safety testing services in conjunction with the EMC and Low voltage Directives and in the voluntary field. The acceptance is based on a formal quality Audit and follow-ups according to relevant parts of ISO/IEC Guide 17025 (2005), in accordance with the requirements of the DNV Laboratory Quality Manual towards subcontractors. Valid time is until Aug. 24, 2013.

### 3.3. Statement of the measurement uncertainty

The data and results referenced in this document are true and accurate. The reader is cautioned that there may be errors within the calibration limits of the equipment and facilities. The measurement uncertainty was calculated for all measurements listed in this test report acc. to CISPR 16 - 4 „Specification for radio disturbance and immunity measuring apparatus and methods – Part 4: Uncertainty in EMC Measurements“ and is documented in the Shenzhen Huatongwei International Inspection Co., Ltd quality system acc. to DIN EN ISO/IEC 17025. Furthermore, component and process variability of devices similar to that tested may result in additional deviation. The manufacturer has the sole responsibility of continued compliance of the device.

Hereafter the best measurement capability for Shenzhen Huatongwei laboratory is reported:

Test Items	Measurement Uncertainty	Notes
Transmitter power conducted	0.57 dB	(1)
Transmitter power Radiated	2.20 dB	(1)
Conducted spurious emission 9KHz-40 GHz	1.60 dB	(1)
Radiated spurious emission 9KHz-40 GHz	2.20 dB	(1)
Conducted Emission 9KHz-30MHz	3.39 dB	(1)
Radiated Emission 30~1000MHz	4.65 dB	(1)
Radiated Emissio 1~18GHz	5.16 dB	(1)
Radiated Emissio 18-40GHz	5.54 dB	(1)
Occupied Bandwidth	-----	(1)

(1) This uncertainty represents an expanded uncertainty expressed at approximately the 95% confidence level using a coverage factor of k=1.96.

### 3.4. Summary of standards and result

FCC Rules	Description of Test	Result
§15.203	Antenna Requirement	Compliance
§15.207(a)	Conduction Emissions	Compliance
§15.109, §15.205(a), §15.209(a), 15.249(a), §15.249(c), §15.35	Radiated Emissions	Compliance
§15.249(d)	Out of Band Emissions	Compliance

NOTE: 1) The detailed test result please see section 4.

2) The test report merely corresponds to the test sample.

3) It is not permitted to copy extracts of these test result without the written permission of the test laboratory.

### 3.5. Environmental conditions

During the measurement the environmental conditions were within the listed ranges:

Temperature: 15-35 ° C

Humidity: 30-60 %

Atmospheric pressure: 950-1050mbar

**3.6. Equipments Used during the Test**

Band Edge Measurement & Spurious Emissions					
Item	Test Equipment	Manufacturer	Model No.	Serial No.	Last Cal.
1	ULTRA-BROADBAND ANTENNA	Rohde&Schwarz	HL562	100015	2012/10/27
2	EMI TEST RECEIVER	Rohde&Schwarz	ESI 26	100009	2012/10/27
3	RF TEST PANEL	Rohde&Schwarz	TS / RSP	335015/ 0017	2012/10/27
4	TURNTABLE	ETS	2088	2149	2012/10/27
5	ANTENNA MAST	ETS	2075	2346	2012/10/27
6	EMI TEST SOFTWARE	Rohde&Schwarz	ESK1	N/A	2012/10/27
7	HORN ANTENNA	Rohde&Schwarz	HF906	100039	2012/10/27
8	Amplifer	Sonoma	310N	E009-13	2012/10/27
9	JS amplifer	Rohde&Schwarz	JS4-00101800-28-5A	F201504	2012/10/27
10	High pass filter	Compliance Direction systems	BSU-6	34202	2012/10/27
11	Broad-Band Horn Antenna	Schwarzbeck	BBHA9170	470	2012/10/27
12	Ultra-Broadband Antenna	ShwarzBeck	VULB9163	539	2012/10/27
13	HORN ANTENNA	ShwarzBeck	9120D	1011	2012/10/27
14	TURNTABLE	MATURO	TT2.0	----	2012/10/27
15	ANTENNA MAST	MATURO	TAM-4.0-P	----	2012/10/27
16	Loop ANTENNA	Rohde&Schwarz	HFH2-Z2	100020	2012/10/27

AC Power Conducted Emission					
Item	Test Equipment	Manufacturer	Model No.	Serial No.	Last Cal.
1	EMI TEST RECEIVER	Rohde & Schwarz	ESCS30	100038	2012/10/27
2	ARTIFICIAL MAINS	Rohde & Schwarz	ESH2-Z5	100028	2012/10/27
3	PULSE LIMITER	Rohde & Schwarz	ESHSZ2	100044	2012/10/27
4	EMI TEST SOFTWARE	Rohde & Schwarz	ES-K1 1.71	N/A	2012/10/27

20dB Bandwidth					
Item	Test Equipment	Manufacturer	Model No.	Serial No.	Last Cal.
1	EMI TEST RECEIVER	Rohde & Schwarz	ESCI	100106	2012/10/27

The calibration interval was one year.



## 4. TEST CONDITIONS AND RESULTS

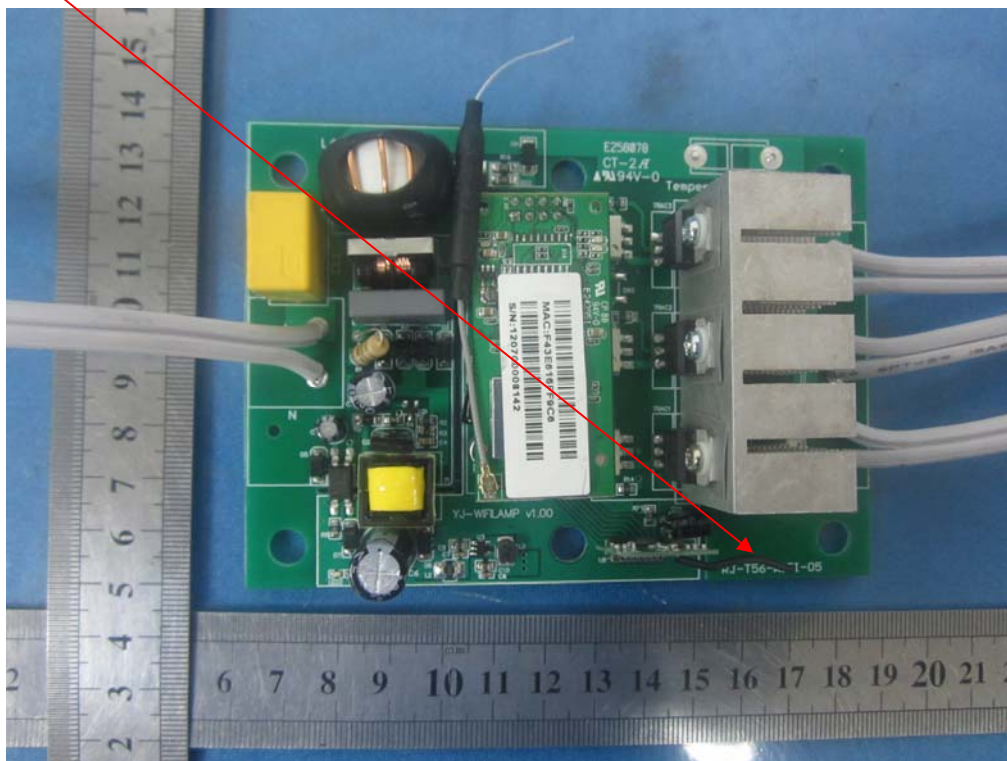
### 4.1. ANTENNA REQUIREMENT

According to FCC Part 15C § 15.203,

- a), An intentional radiator shall be de-signed to ensure that no antenna other than that furnished by the responsible party shall be used with the device.
- b), The manufacturer may design the unit so that a broken antenna can be replaced by the user, but the use of a standard antenna jack or electrical connector is prohibited.

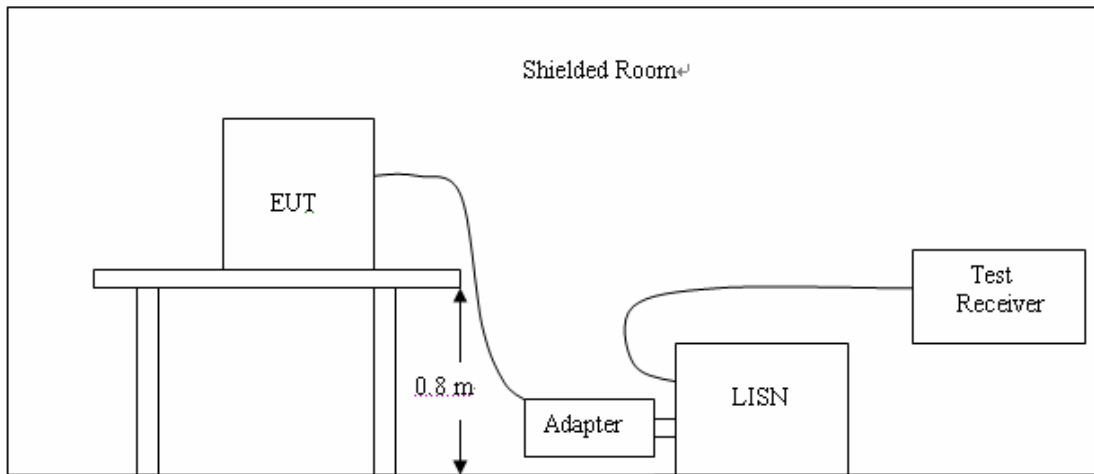
The antenna used in this product is a Fixed Antenna .The maximum Gain of the antenna only 1.2dBi.please see the photo as following:

Antenna



## 4.2. Conducted Emissions Test

### TEST CONFIGURATION



### TEST PROCEDURE

- 1 The equipment was set up as per the test configuration to simulate typical actual usage per the user's manual. The EUT is a Weather station Transmitter; a wooden table with a height of 0.8 meters is used and is placed on the ground plane as per ANSI C63.10.
- 2 Support equipment, if needed, was placed as per ANSI C63.10.
- 3 All I/O cables were positioned to simulate typical actual usage as per ANSI C63.10.
- 4 All support equipments received AC power from a second LISN, if any.
- 5 The EUT test program was started. Emissions were measured on each current carrying line of the EUT using a spectrum Analyzer / Receiver connected to the LISN powering the EUT. The LISN has two monitoring points: Line 1 (Hot Side) and Line 2 (Neutral Side). Two scans were taken: one with Line 1 connected to Analyzer / Receiver and Line 2 connected to a 50 ohm load; the second scan had Line 1 connected to a 50 ohm load and Line 2 connected to the Analyzer / Receiver.
- 6 Analyzer / Receiver scanned from 150 KHz to 30MHz for emissions in each of the test modes.
- 7 During the above scans, the emissions were maximized by cable manipulation.

### CONDUCTED LIMIT

According to FCC Subpart 15 B § 15.207 AC Conducted Emission Limits is as following :

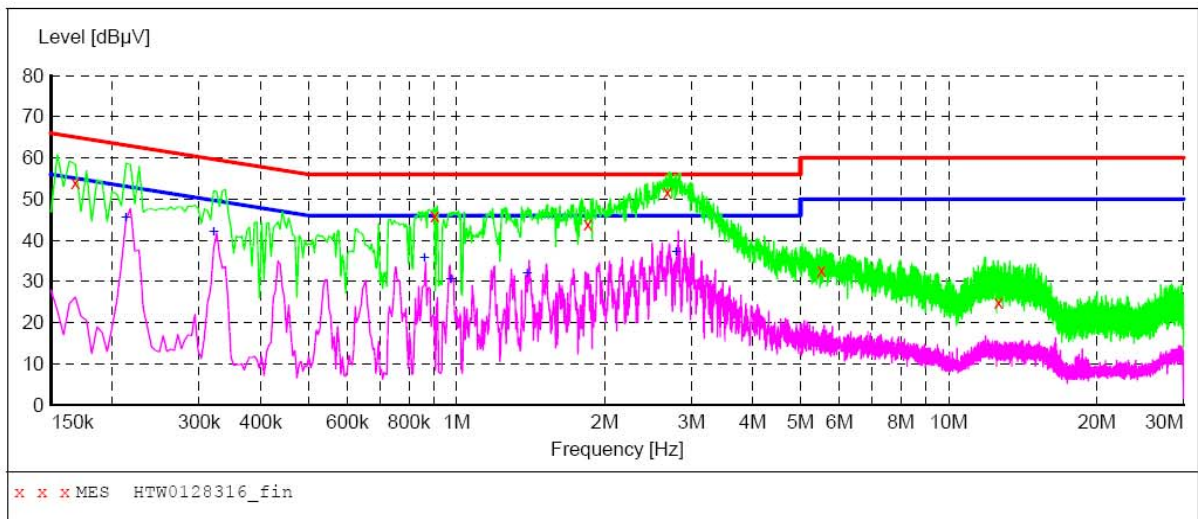
Frequency fange (MHz)	Conducted limit (dBµV)	
	Quasi-peak	Average
0.1~ 0.5	66 to 56*	56 to 46*
0.5 ~ 5	56	46
5 ~ 30	60	50

\* Decreasing linearly with the logarithm of the frequency

### TEST RESULTS

**SCAN TABLE: "Voltage (9K-30M)FIN"**

Short Description: 150K-30M Voltage



**MEASUREMENT RESULT: "HTW0128316\_fin"**

1/28/2013 11:21AM

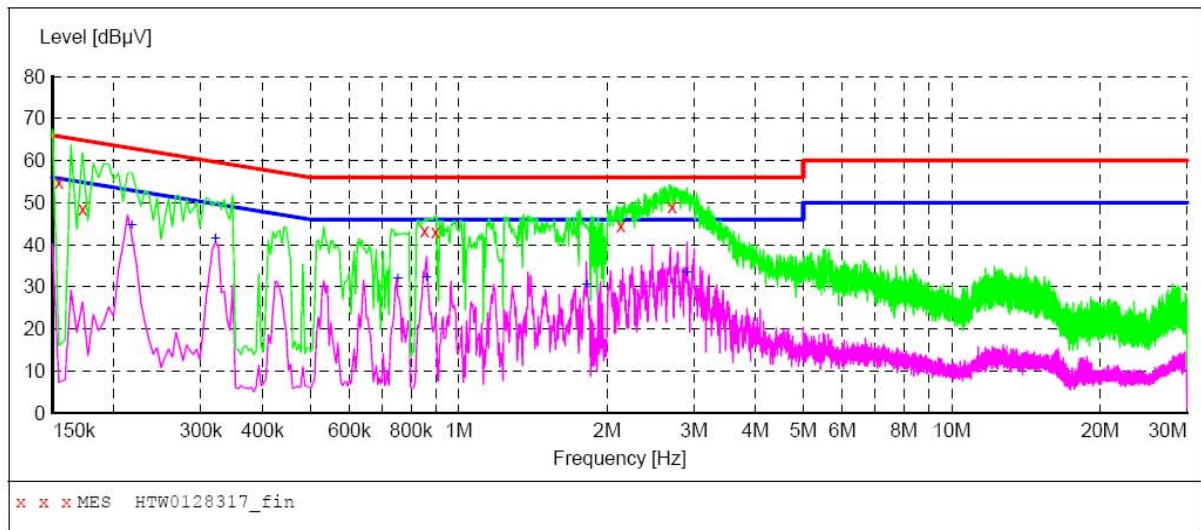
Frequency MHz	Level dBµV	Transd dB	Limit dBµV	Margin dB	Detector	Line	PE
0.168000	53.90	10.2	65	11.2	QP	L1	GND
0.901500	46.00	10.2	56	10.0	QP	L1	GND
1.846500	44.00	10.3	56	12.0	QP	L1	GND
2.683500	51.60	10.4	56	4.4	QP	L1	GND
5.509500	32.70	10.4	60	27.3	QP	L1	GND
12.619500	25.00	10.6	60	35.0	QP	L1	GND

**MEASUREMENT RESULT: "HTW0128316\_fin2"**

1/28/2013 11:21AM

Frequency MHz	Level dBµV	Transd dB	Limit dBµV	Margin dB	Detector	Line	PE
0.213000	45.50	10.2	53	7.6	AV	L1	GND
0.321000	41.90	10.2	50	7.8	AV	L1	GND
0.861000	35.50	10.2	46	10.5	AV	L1	GND
0.973500	30.30	10.3	46	15.7	AV	L1	GND
1.392000	32.00	10.3	46	14.0	AV	L1	GND
2.796000	36.90	10.4	46	9.1	AV	L1	GND

**SCAN TABLE: "Voltage (9K-30M) FIN"**  
 Short Description: 150K-30M Voltage



**MEASUREMENT RESULT: "HTW0128317\_fin"**

1/28/2013 11:24AM

Frequency MHz	Level dBµV	Transd dB	Limit dBµV	Margin dB	Detector	Line	PE
0.154500	54.90	10.2	66	10.9	QP	N	GND
0.172500	48.60	10.2	65	16.2	QP	N	GND
0.852000	43.40	10.2	56	12.6	QP	N	GND
0.897000	43.00	10.2	56	13.0	QP	N	GND
2.130000	44.50	10.4	56	11.5	QP	N	GND
2.706000	49.10	10.4	56	6.9	QP	N	GND

**MEASUREMENT RESULT: "HTW0128317\_fin2"**

1/28/2013 11:24AM

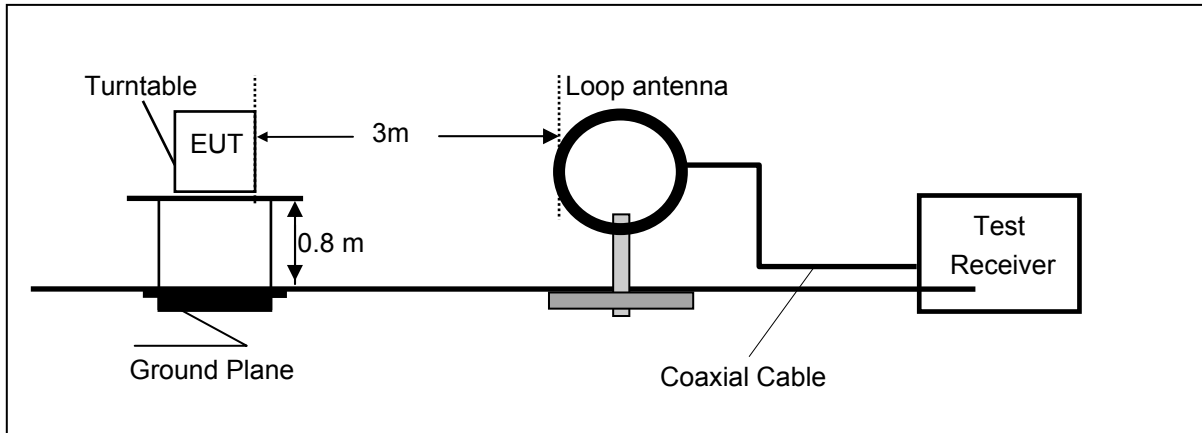
Frequency MHz	Level dBµV	Transd dB	Limit dBµV	Margin dB	Detector	Line	PE
0.217500	44.50	10.2	53	8.4	AV	N	GND
0.321000	41.50	10.2	50	8.2	AV	N	GND
0.753000	31.90	10.2	46	14.1	AV	N	GND
0.861000	32.10	10.2	46	13.9	AV	N	GND
1.819500	30.30	10.3	46	15.7	AV	N	GND
2.904000	33.20	10.4	46	12.8	AV	N	GND

### 4.3. Radiated Emission Test

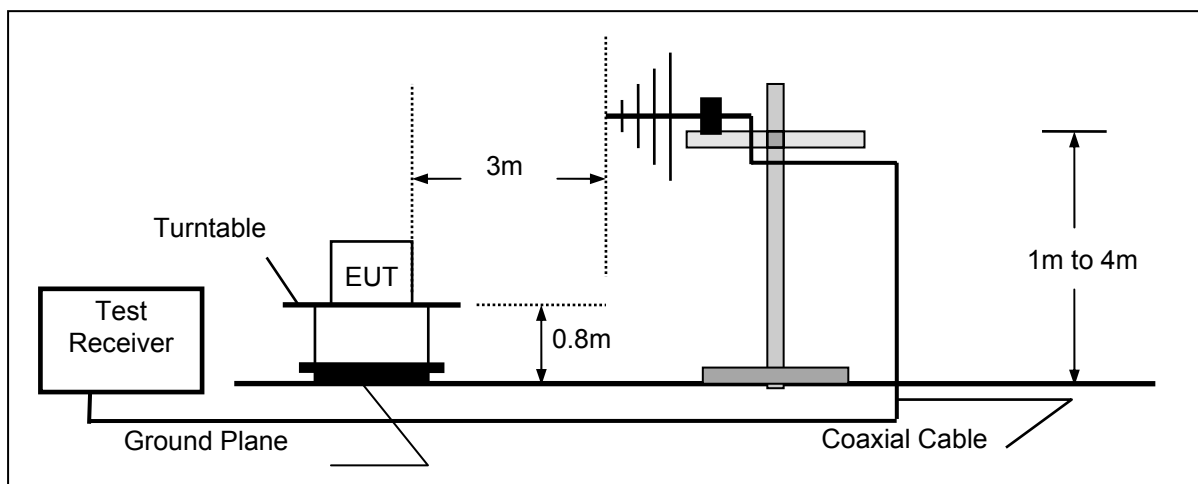
#### TEST CONFIGURATION

Radiated Emission Test Set-Up

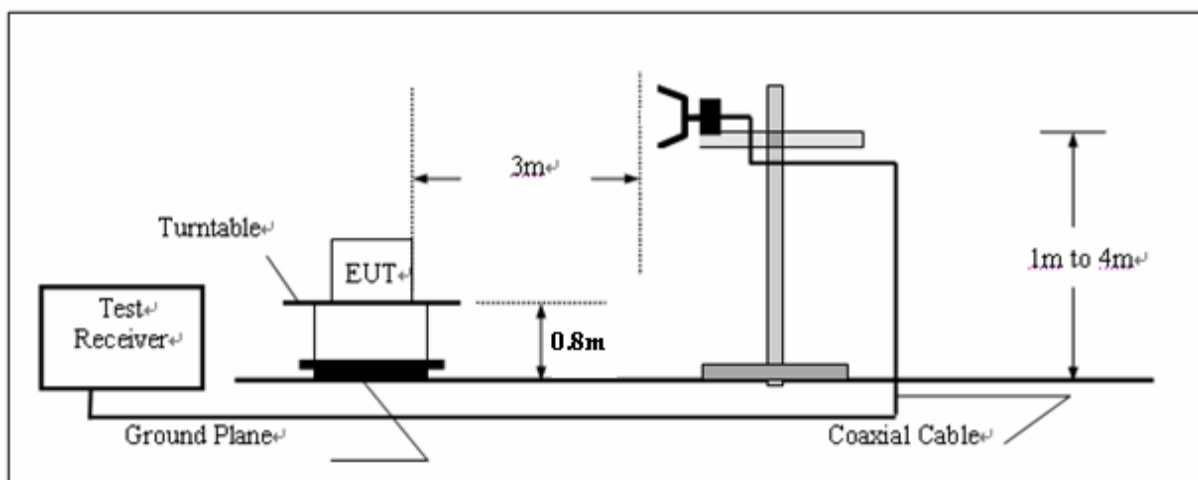
Frequency range 9KHz – 30MHz



Frequency range 30MHz – 1000MHz



Frequency range above 1GHz-25GHz



**TEST PROCEDURE**

1. The EUT is placed on a turntable, which is 0.8m above ground plane.
2. The turntable shall be rotated for 360 degrees to determine the position of maximum emission level.
3. EUT is set 3m away from the receiving antenna, which is varied from 1m to 4m to find out the highest emissions.
4. Maximum procedure was performed on the six highest emissions to ensure EUT compliance.
5. And also, each emission was to be maximized by changing the polarization of receiving antenna both horizontal and vertical.
6. Repeat above procedures until the measurements for all frequencies are complete.
7. The minimum crystal frequency is 12MHz ,The fundamental frequency is 2.422GHz, So the radiation emissions frequency range were tested from 9KHz to 25GHz.

**RADIATION LIMIT**

according to § 15.209, the field strength of radiated emissions limits comply with the following:

Frequency (MHz)	Field strength (microvolts/meter)	Measurement distance (meters)
0.009–0.490 .....	2400/F(kHz)	300
0.490–1.705 .....	24000/F(kHz)	30
1.705–30.0 .....	30	30

For unintentional device, according to § 15.109(a), except for Class A digital devices, the field strength of radiated emissions from unintentional radiators at a distance of 3 meters shall not exceed the following values:

Frequency (MHz)	Distance (Meters)	Radiated (dBµV/m)	Radiated (µV/m)
30-88	3	40.0	100
88-216	3	43.5	150
216-960	3	46.0	200
Above 960	3	54.0	500

For intentional device, according to § 15.209(a), the general requirement of field strength of radiated emissions from intentional radiators at a distance of 3 meters shall not exceed the above table.

As per §15.249 (a), except as provided in paragraph (b) of this section, the field strength of emissions from intentional radiators operated within these frequency bands shall comply with the following:

Fundamental frequency	Field strength of fundamental (millivolts/meter)	Field strength of harmonics (microvolts/meter)
902–928 MHz	50	500
2400–2483.5 MHz	50	500
5725–5875 MHz	50	500
24.0–24.25 GHz	250	2500

As per §15.249 (c), Field strength limits are specified at a distance of 3 meters.

**TEST RESULTS**

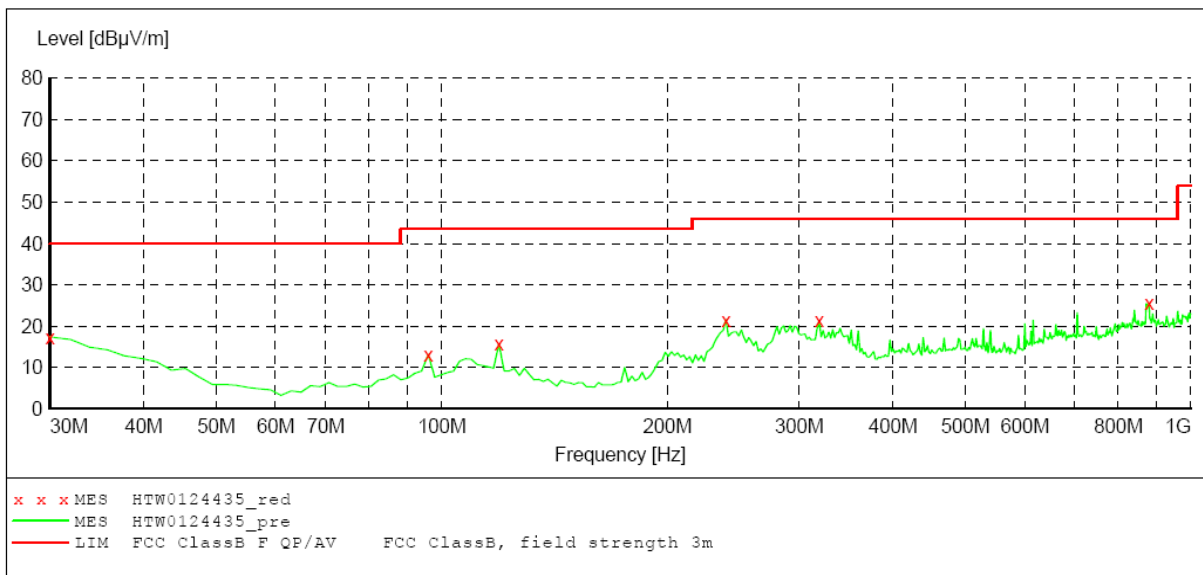
**Radiated emission (below 30MHz)**

Frequency (MHz)	Corrected Reading (dBµV/m)@3m	FCC Limit (dBµV/m) @3m	Margin (dB)	Detector	Result
1.32	44.58	65.87	21.29	QP	Pass
16.00	50.15	69.54	19.39	QP	Pass
24.58	46.57	69.54	22.97	QP	Pass

**Radiated emission (below 1G)**

**SWEEP TABLE: "test (30M-1G)"**

Short Description: Field Strength  
 Start Stop Detector Meas. IF Transducer  
 Frequency Frequency Time Bandw.  
 30.0 MHz 1.0 GHz MaxPeak Coupled 120 kHz HL562



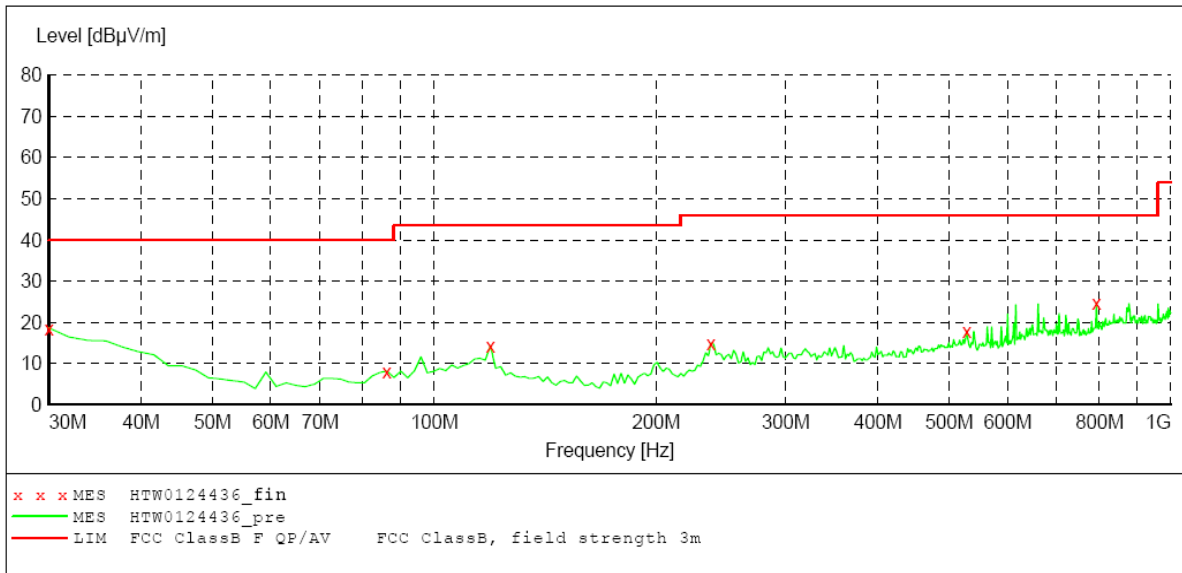
**MEASUREMENT RESULT: "HTW0124435\_red"**

1/24/2013 7:31PM

Frequency MHz	Level dBµV/m	Transd dB	Limit dBµV/m	Margin dB	Det.	Height cm	Azimuth deg	Polarization
30.000000	17.40	-11.1	40.0	22.6	QP	100.0	-303.00	HORIZONTAL
95.960000	13.20	-20.1	43.5	30.3	QP	300.0	-292.00	HORIZONTAL
119.240000	15.70	-19.3	43.5	27.8	QP	300.0	-173.00	HORIZONTAL
239.520000	21.60	-18.9	46.0	24.4	QP	100.0	-289.00	HORIZONTAL
319.060000	21.40	-16.4	46.0	24.6	QP	100.0	-2.00	HORIZONTAL
879.720000	25.50	-7.0	46.0	20.5	QP	100.0	-289.00	HORIZONTAL

**SWEEP TABLE: "test (30M-1G)"**

Short Description:		Field Strength			
Start	Stop	Detector	Meas. Time	IF Bandw.	Transducer
Frequency	Frequency				
30.0 MHz	1.0 GHz	MaxPeak	Coupled	120 kHz	HL562



**MEASUREMENT RESULT: "HTW0124436\_fin"**

1/24/2013 7:34PM

Frequency MHz	Level dBµV/m	Transd dB	Limit dBµV/m	Margin dB	Det.	Height cm	Azimuth deg	Polarization
30.000000	18.60	-11.1	40.0	21.4	QP	100.0	-107.00	VERTICAL
86.260000	8.20	-20.9	40.0	31.8	QP	100.0	-74.00	VERTICAL
119.240000	14.40	-19.3	43.5	29.1	QP	100.0	-280.00	VERTICAL
237.580000	15.00	-19.1	46.0	31.0	QP	100.0	-50.00	VERTICAL
528.580000	18.00	-13.1	46.0	28.0	QP	100.0	-173.00	VERTICAL
792.420000	24.80	-9.0	46.0	21.2	QP	100.0	-1.00	VERTICAL



**Radiated emission (above 1G)**

<b>ANTENNA POLARITY &amp; TEST DISTANCE: HORIZONTAL AT 3 M (2422MHz)</b>												
No.	Frequency (MHz)	Emission Level (dBuV/m)		Limit (dBuV/m)	Margin (dB)	Antenna Height (m)	Table Angle (Degree)	Raw Value (dBuV)	Antenna Factor (dB/m)	Cable Factor (dB)	Pre-amplifier	Correction Factor (dB/m)
1	*2422.00	78.69	PK	114.00	35.31	1.00 H	360	82.09	28.3	4.90	-36.6	-3.40
1	*2422.00	68.79	AV	94.00	25.21	1.00 H	360	72.19	28.3	4.90	-36.6	-3.40
2	4844.00	48.98	PK	74.00	25.02	1.00 H	359	45.78	32.7	7.00	-36.5	3.20
3	7266.00	51.17	PK	74.00	22.83	1.00 H	152	41.77	35.8	8.90	-35.3	9.40
4	9688.00	51.02	PK	74.00	22.98	1.00 H	140	38.42	37.2	10.20	-34.8	12.60

<b>ANTENNA POLARITY &amp; TEST DISTANCE: VERTICAL AT 3 M (2422MHz)</b>												
No.	Frequency (MHz)	Emission Level (dBuV/m)		Limit (dBuV/m)	Margin (dB)	Antenna Height (m)	Table Angle (Degree)	Raw Value (dBuV)	Antenna Factor (dB/m)	Cable Factor (dB)	Pre-amplifier	Correction Factor (dB/m)
1	*2422.00	69.70	PK	114.00	44.30	1.00 V	124	73.10	28.3	4.90	-36.6	-3.40
1	*2422.00	59.74	AV	94.00	34.26	1.00 V	124	63.14	28.3	4.90	-36.6	-3.40
2	4844.00	52.69	PK	74.00	21.31	1.00 V	339	49.49	32.7	7.00	-36.5	3.20
3	7266.00	52.19	PK	74.00	21.81	1.00 V	340	42.79	35.8	8.90	-35.3	9.40
4	9688.00	53.64	PK	74.00	20.36	1.00 V	20	41.04	37.2	10.20	-34.8	12.60

- REMARKS:**
1. Emission level (dBuV/m)=Raw Value(dBuV) + Correction Factor(dB/m)
  2. Correction Factor (dB/m) = Antenna Factor (dB/m) + Cable Factor (dB) +Pre-amplifier Factor
  3. The other emission levels were very low against the limit.
  4. Margin value = Limit value- Emission level.
  5. The limit value is defined as per 15.249
  6. "\*" : Fundamental frequency

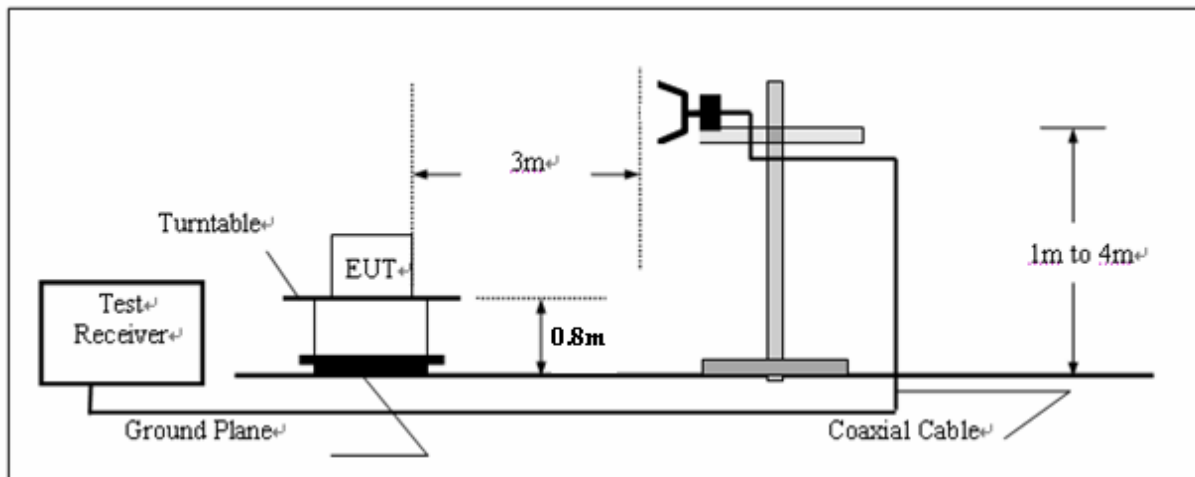
### 4.4. Out of band emissions

#### TEST PROCEDURE

The band edge compliance of RF radiated emission should be measured by following the guidance in ANSI C63.4 with respect to maximizing the emission by rotating the EUT, measuring the emission while the EUT is situated in three orthogonal planes (if appropriate), adjusting the measurement antenna height and polarization etc. Set RBW to 1MHz and VBM to 3MHz to measure the peak field strength and set RBW to 1MHz and VBW to 10Hz to measure the average radiated field strength.

The conducted RF band edge was measured by using a spectrum analyzer. Set span wide enough to capture the highest in-band emission and the emission at the band edge. Set RBW to 100 KHz and VBM to 300 KHz, to measure the conducted peak band edge.

#### TEST CONFIGURATION



#### LIMIT

FCC PART 15.249(d) Emissions radiated outside of the specified frequency bands, except for harmonics, shall be attenuated by at least 50 dB below the level of the fundamental or to the general radiated emission limits in §15.209, whichever is the lesser attenuation.

#### TEST RESULTS

##### *Test Mode: Transmitting*

Frequency (MHz)	Corrected Reading (dBµV/m)@3m	FCC Limit (dBµV/m) @3m	Margin (dB)	Detector	Polarization
Out of left side band					
2390.00	50.14	74	23.86	PK	Horizontal
2390.00	42.13	54	11.87	AV	Horizontal
2390.00	48.70	74	25.30	PK	Vertical
2390.00	38.77	54	15.23	AV	Vertical
Out of right side band					
2483.50	51.89	74	22.11	PK	Horizontal
2483.50	42.57	54	11.43	AV	Horizontal
2483.50	50.51	74	23.49	PK	Vertical
2483.50	40.93	54	13.07	AV	Vertical

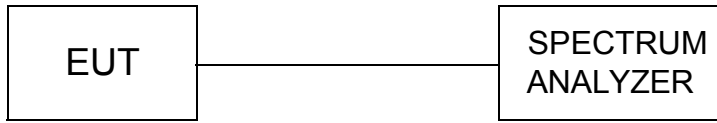
Note: 1. The field strength of any emissions which appear outside of this band shall not exceed the general radiated emission limits in Section 15.209.

2. The average measurement was not performed when the peak measured data under the limit of average detection.

3. The test data is the worst case data in the restrict band.

### 4.5. 20dB Bandwidth Measurement

#### TEST CONFIGURATION



#### TEST PROCEDURE

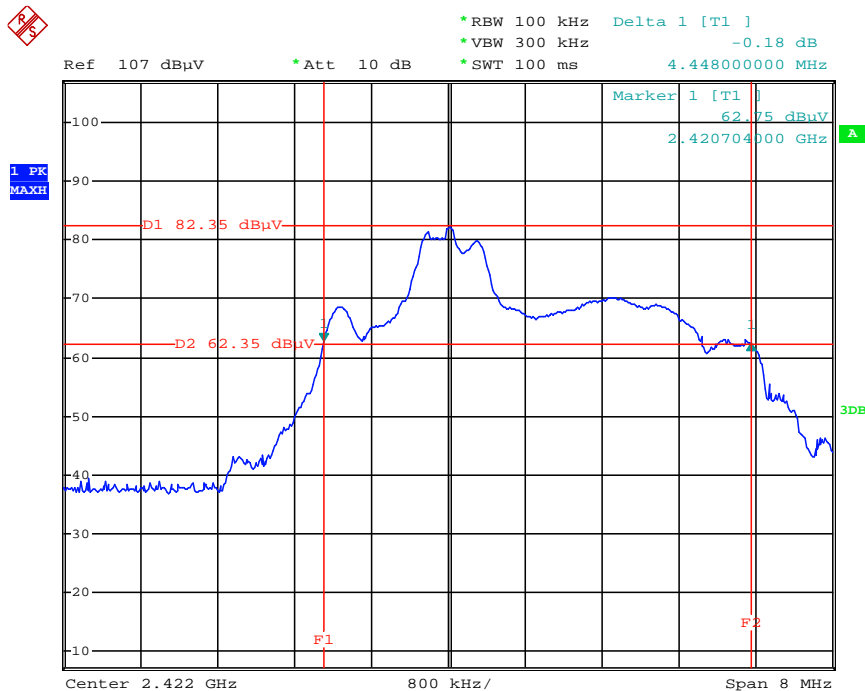
The transmitter output is connected to the spectrum analyzer. The spectrum analyzer center frequency is set to the transmitter frequency. The RBW is set to 100 KHz and VBW is set 300 KHz.

#### LIMIT

Intentional radiators operating under the alternative provisions to the general emission limits, as contained in §§ 15.217 through 15.257 and in Subpart E of this part, must be designed to ensure that the 20 dB bandwidth of the emission, or whatever bandwidth may otherwise be specified in the specific rule section under which the equipment operates, is contained within the frequency band designated in the rule section under which the equipment is operated.

#### TEST RESULTS

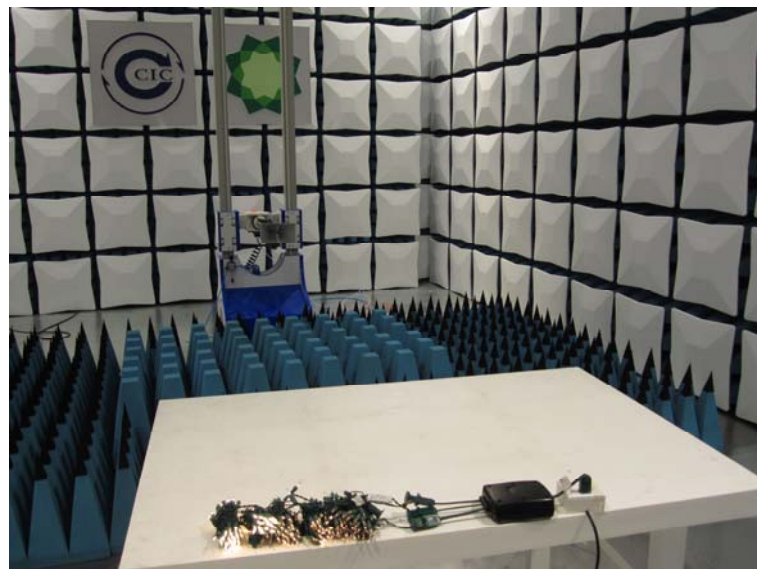
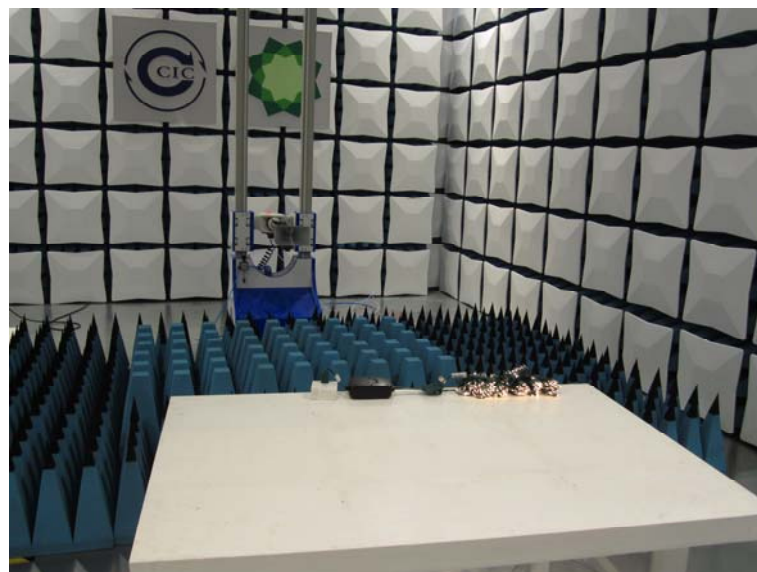
Operating Frequency (MHz)	Limits(MHz)		Result
	Lower Frequency (MHz)	Upper Frequency (MHz)	
2422MHz	>2400	<2483.5	<b>PASS</b>



Date: 6.MAR.2013 14:26:12

## 5. Test Setup Photos of the EUT





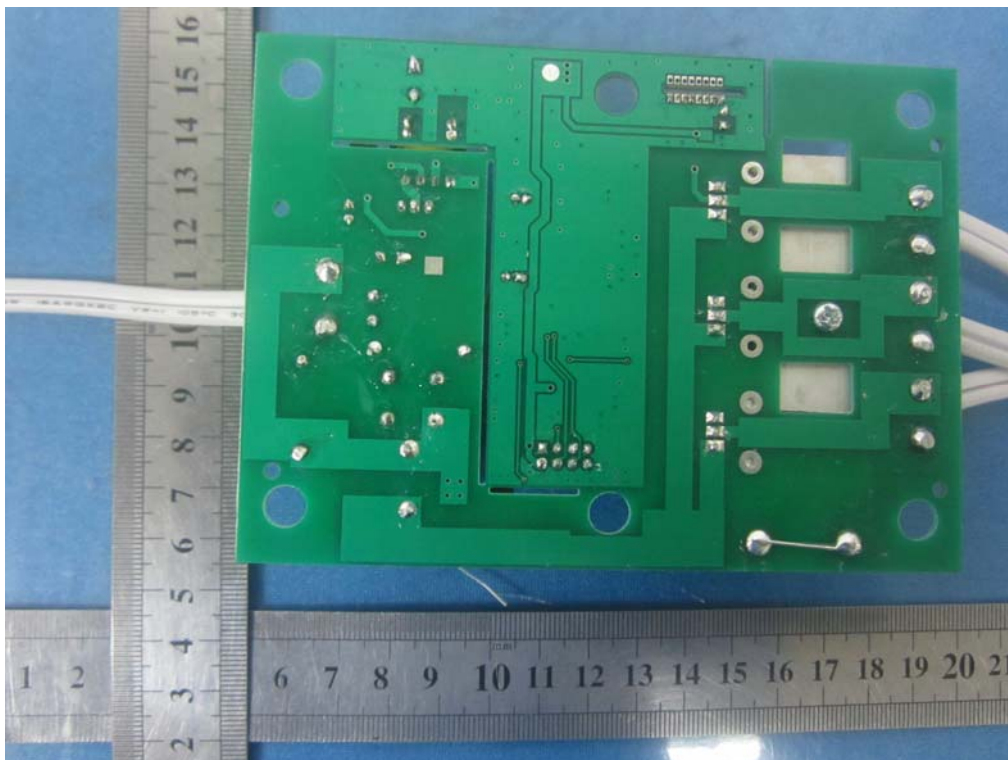
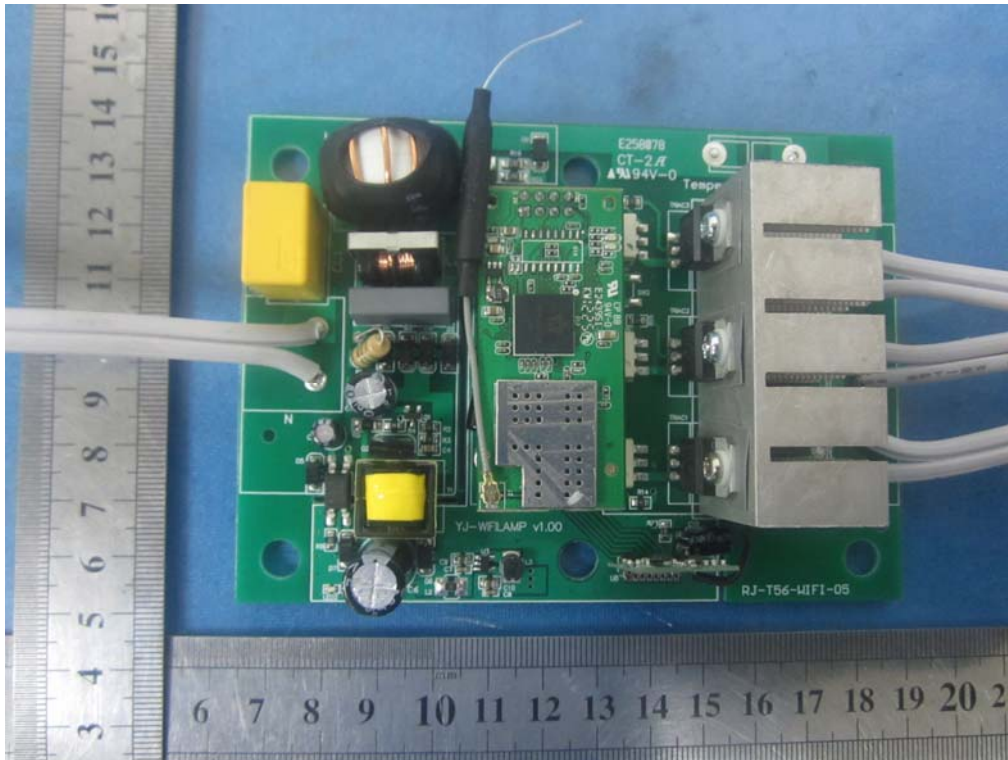
## 6. External and Internal Photos of the EUT

### External Photos





Internal Photos



.....End of Report.....