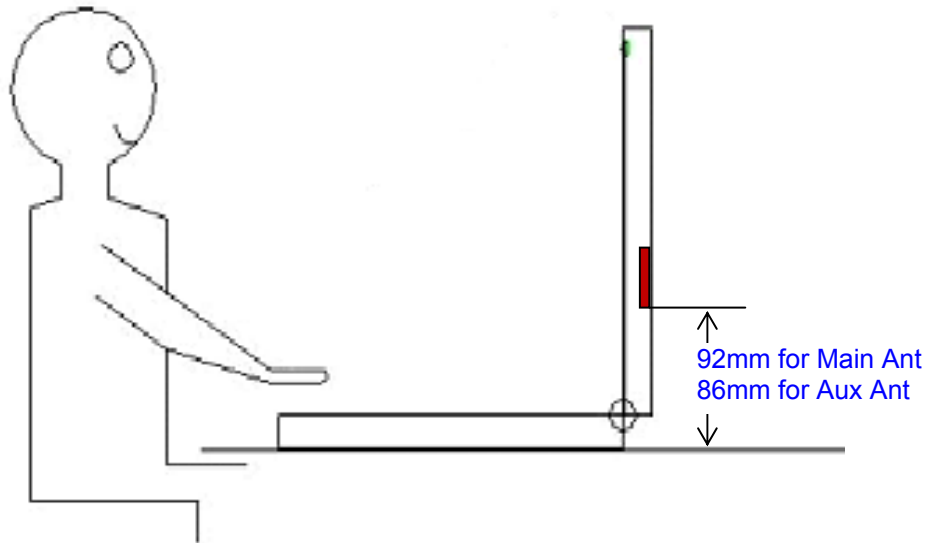
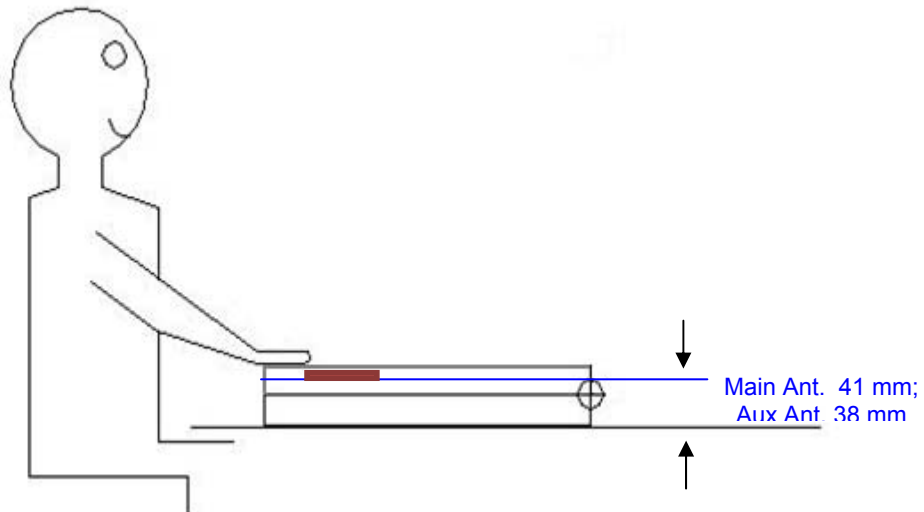


# 14. ANTENNA LOCATIONS AND SEPARATION DISTANCES

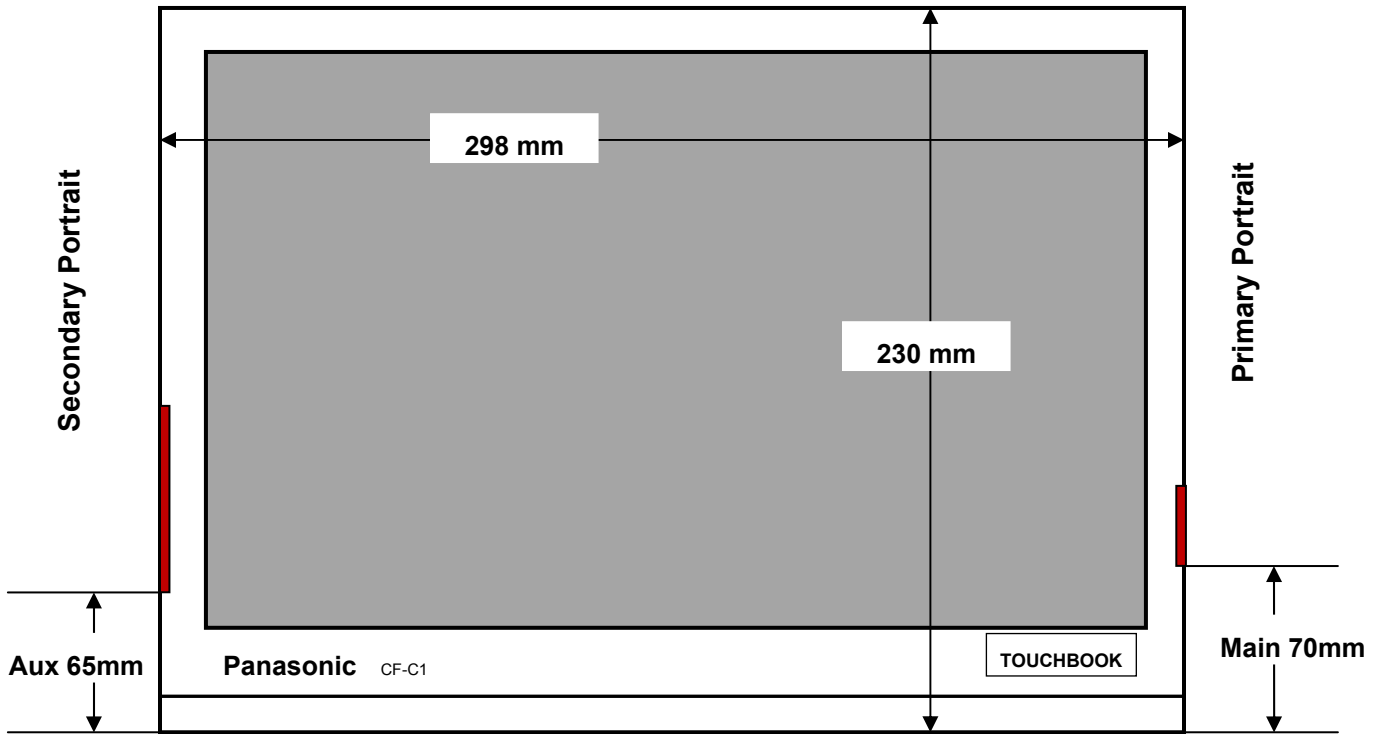
## Laptop Mode (with display open at 90° to the keyboard)



## Bottom Face



### Secondary Landscape



### Primary Landscape

**Distance between Main (Chain A) Antenna and Bottom of EUT : 41mm**



**Distance between Aux (Chain B) Antenna and Bottom of EUT: 38mm**



### 15. TEST SETUP PHOTOS

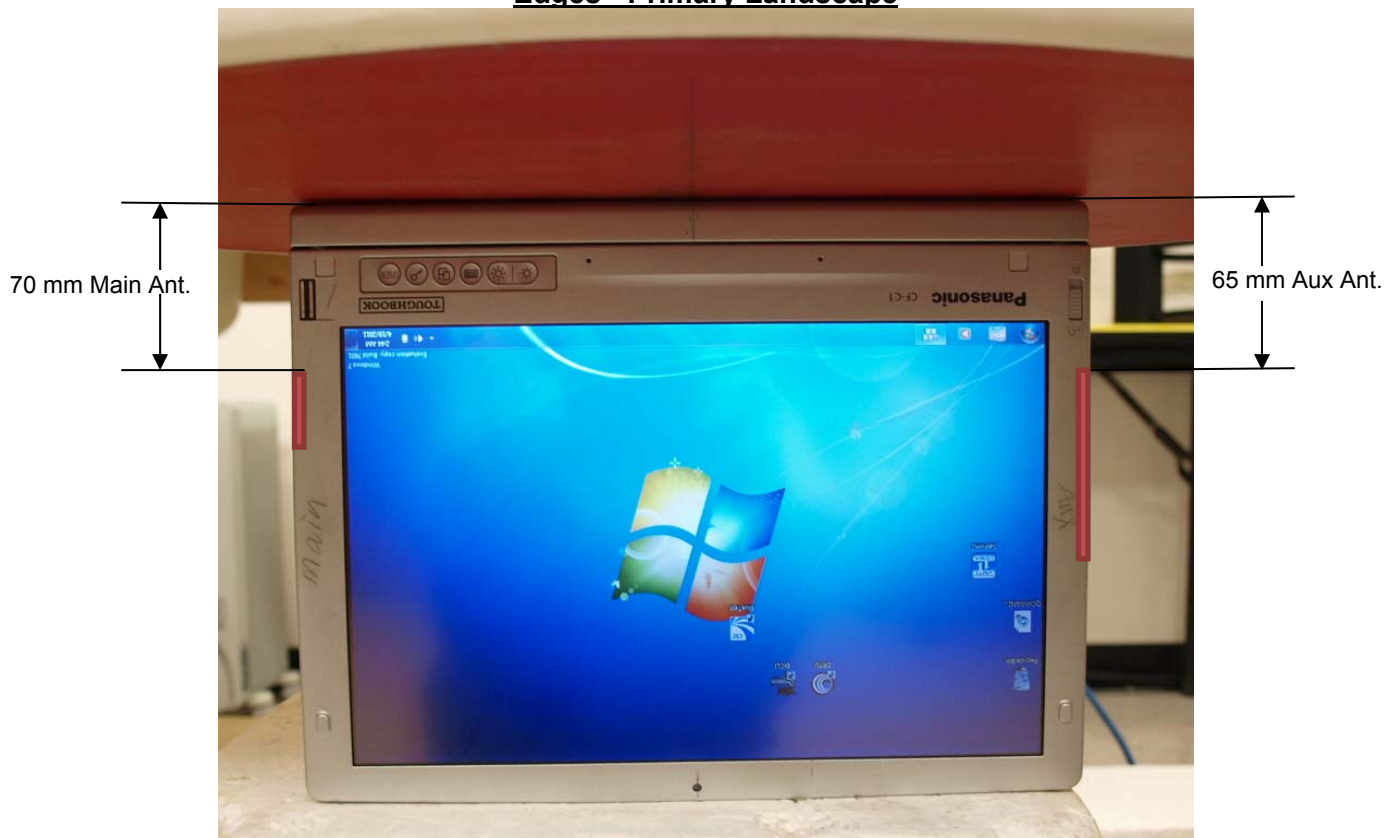
**Laptop Mode – Lapheld (with display open at 90° to the keyboard)**



**Tablet Mode – Bottom Face**



**Edges - Primary Landscape**



**END OF REPORT**